



US00D712751S

(12) **United States Design Patent**  
**Bechyne et al.**

(10) **Patent No.:** **US D712,751 S**

(45) **Date of Patent:** **\*\* Sep. 9, 2014**

(54) **REFILLABLE, FLEXIBLE MOIST WIPES DISPENSER**

(56) **References Cited**

(71) Applicant: **Kimberly-Clark Worldwide, Inc.**,  
Neenah, WI (US)

(72) Inventors: **Christopher Michael Bechyne**,  
Menasha, WI (US); **Todd Michael**  
**Carlson**, Downers Grove, IL (US); **Kam**  
**Mei Li**, Yuen Long (CN)

(73) Assignee: **Kimberly-Clark Worldwide, Inc.**,  
Neenah, WI (US)

U.S. PATENT DOCUMENTS

2,692,674	A *	10/1954	Shnitzler et al. ....	206/358
4,002,264	A *	1/1977	Marchesani .....	221/63
D303,760	S *	10/1989	Brainard .....	D9/697
5,938,013	A *	8/1999	Palumbo et al. ....	206/210
D470,755	S *	2/2003	Espinell et al. ....	D9/707
6,543,642	B1 *	4/2003	Milliorn .....	221/46
7,228,968	B1 *	6/2007	Burgess .....	206/494
D568,762	S *	5/2008	Keberlein .....	D9/734
2007/0194042	A1 *	8/2007	Wilbur .....	222/92
2009/0014459	A1 *	1/2009	Hood et al. ....	221/45
2014/0001196	A1 *	1/2014	Bushman et al. ....	221/45

(\*\*) Term: **14 Years**

\* cited by examiner

(21) Appl. No.: **29/458,442**

*Primary Examiner* — Derrick Holland

(22) Filed: **Jun. 19, 2013**

*Assistant Examiner* — Lauren Calve

(51) **LOC (10) Cl.** ..... **09-01**

(74) *Attorney, Agent, or Firm* — Kimberly-Clark  
Worldwide, Inc.

(52) **U.S. Cl.**  
USPC ..... **D9/734**

(57) **CLAIM**

(58) **Field of Classification Search**  
CPC ..... B65D 85/00; B65D 81/00; B65D 81/22;  
B65D 8583/0805; B65D 8583/0055; A47K  
2010/3266; A47K 10/42; A47K 10/421  
USPC ..... D9/414, 424, 499, 430, 431, 702, 711,  
D9/730, 734; D3/20, 201, 203.1, 205, 272,  
D3/273, 315, 316, 901; D24/121, 128;  
D7/601, 602, 607, 641; 206/205, 210,  
206/216, 233, 389, 395, 548, 581, 812;  
221/33, 36, 45, 46, 47, 52, 199, 255,  
221/259, 305, 309; D6/512, 515, 518, 522;  
222/92, 95, 96

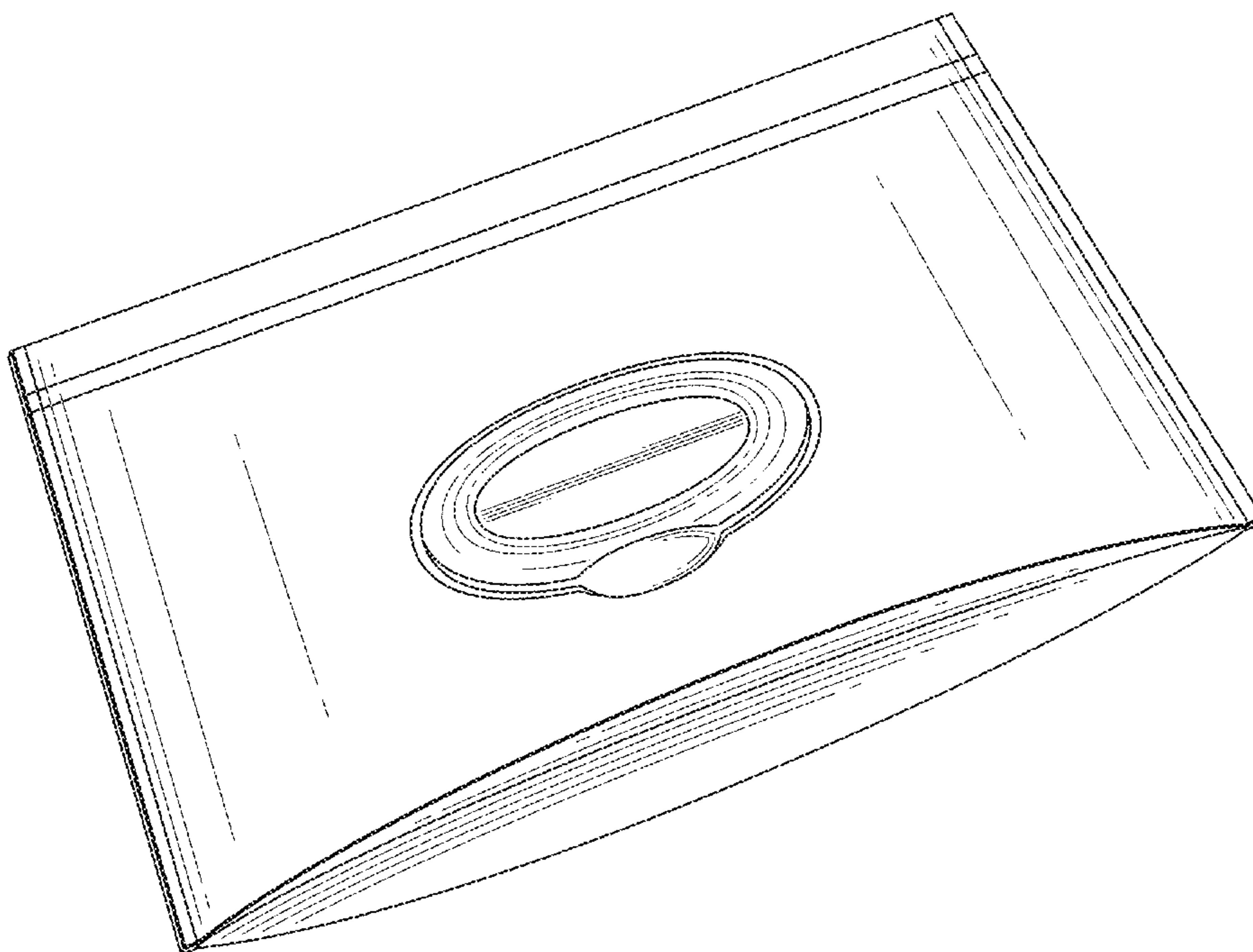
The ornamental design for a refillable, flexible moist wipes dispenser, as shown and described.

**DESCRIPTION**

FIG. 1 is a perspective view of a refillable, flexible moist wipes dispenser according to the claimed design.  
FIG. 2 is a front view thereof.  
FIG. 3 is a back view thereof.  
FIG. 4 is a top plan view thereof.  
FIG. 5 is a bottom plan view thereof.  
FIG. 6 is an end view thereof; and,  
FIG. 7 is an opposite end view thereof.

See application file for complete search history.

**1 Claim, 4 Drawing Sheets**



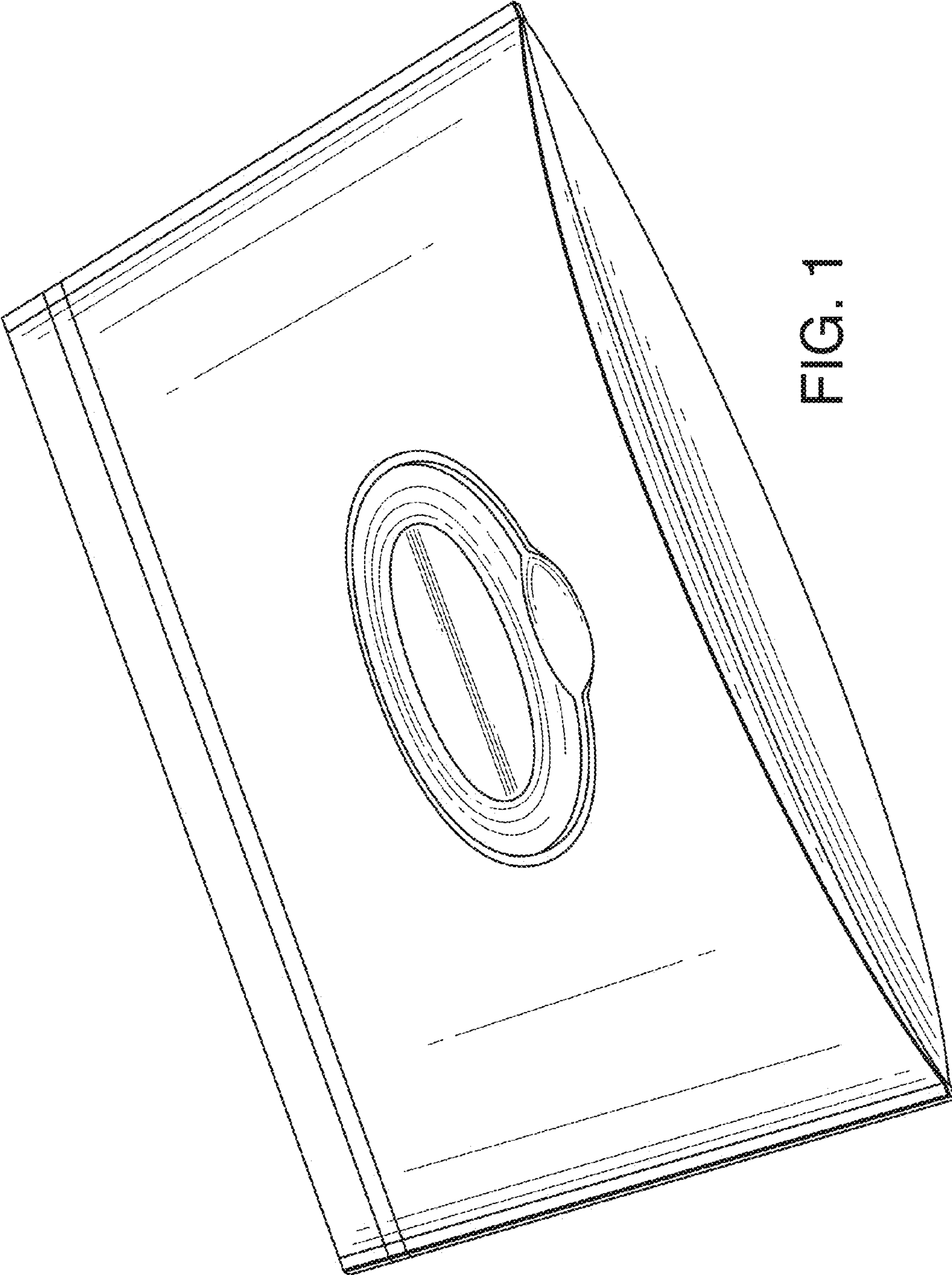


FIG. 1

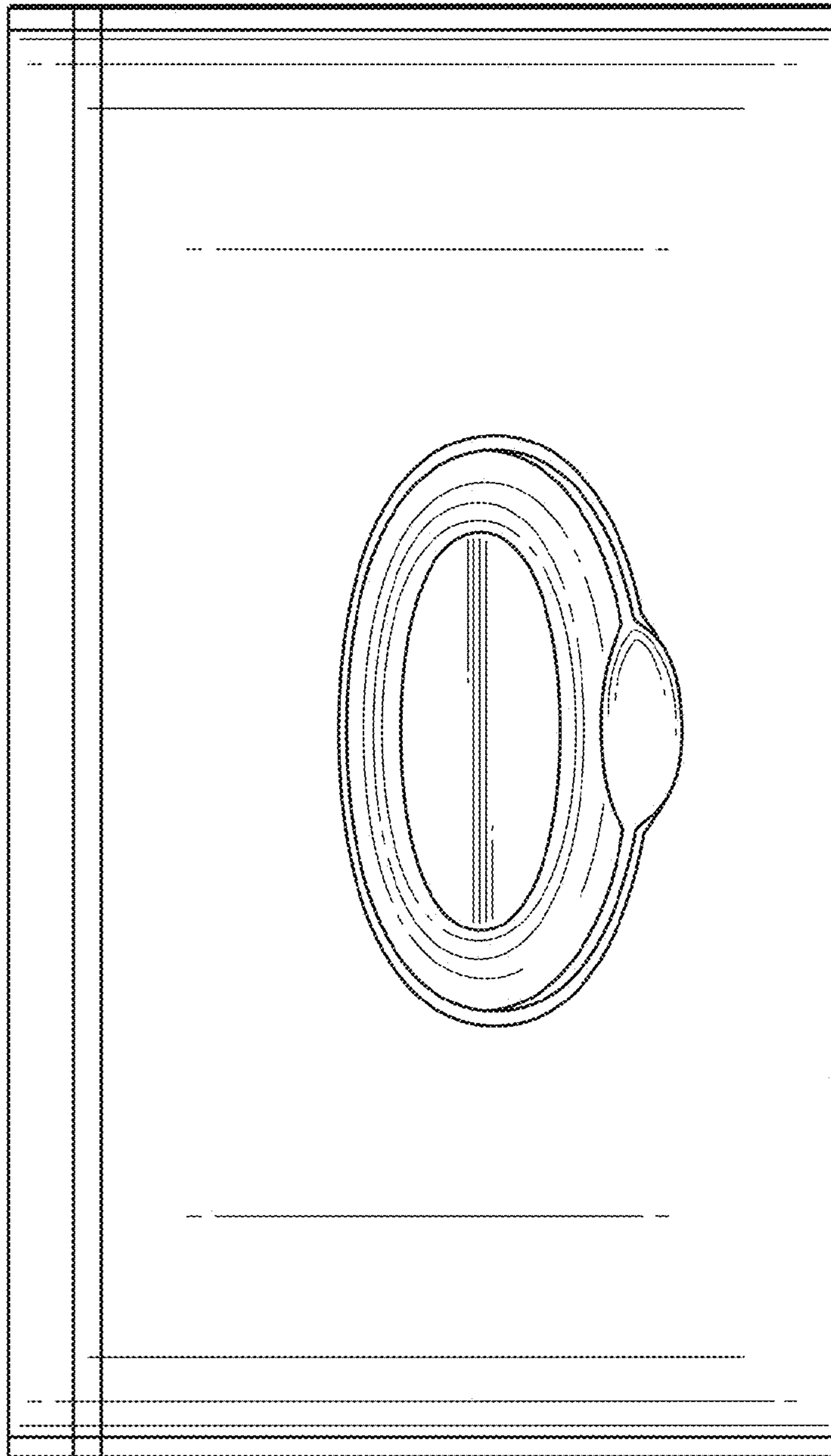


FIG. 2

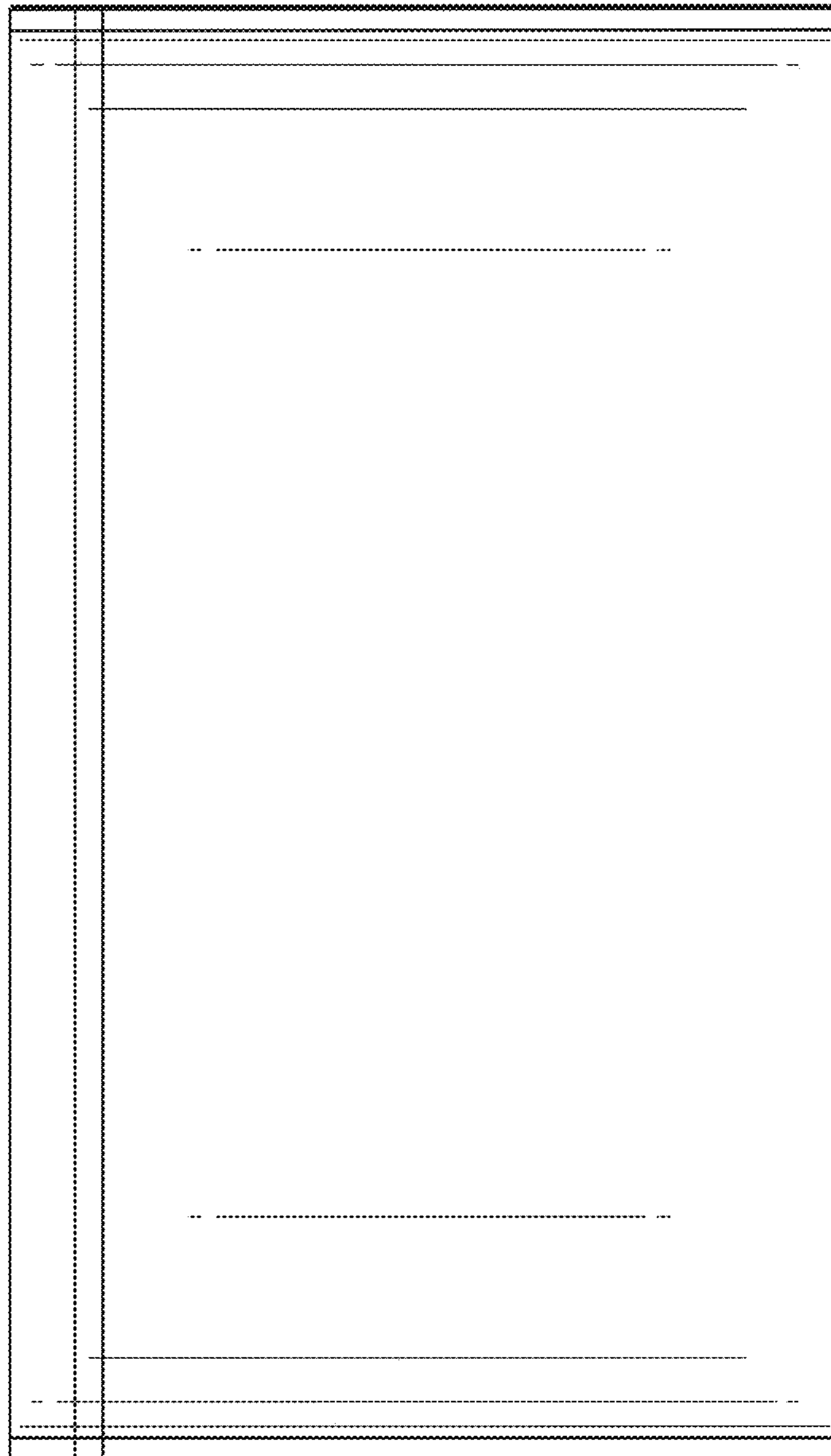


FIG. 3



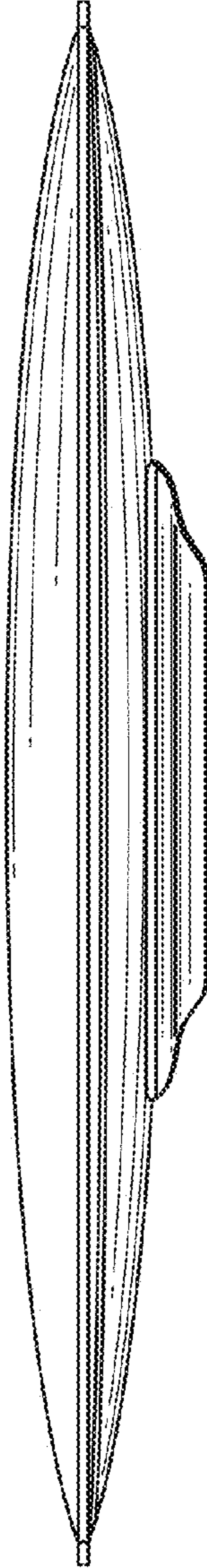


FIG. 4

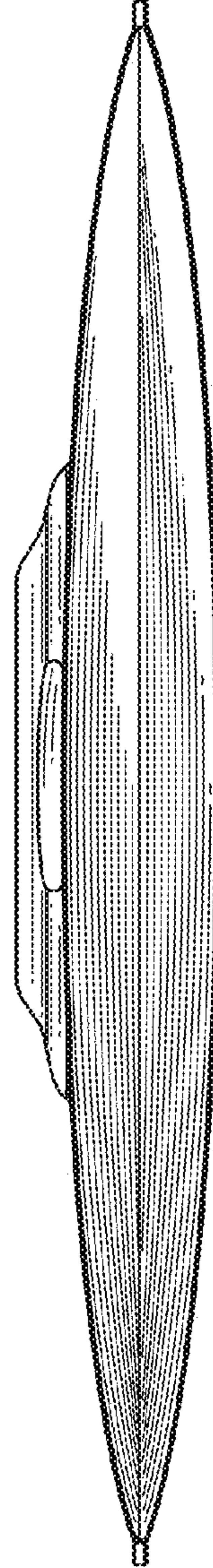


FIG. 5

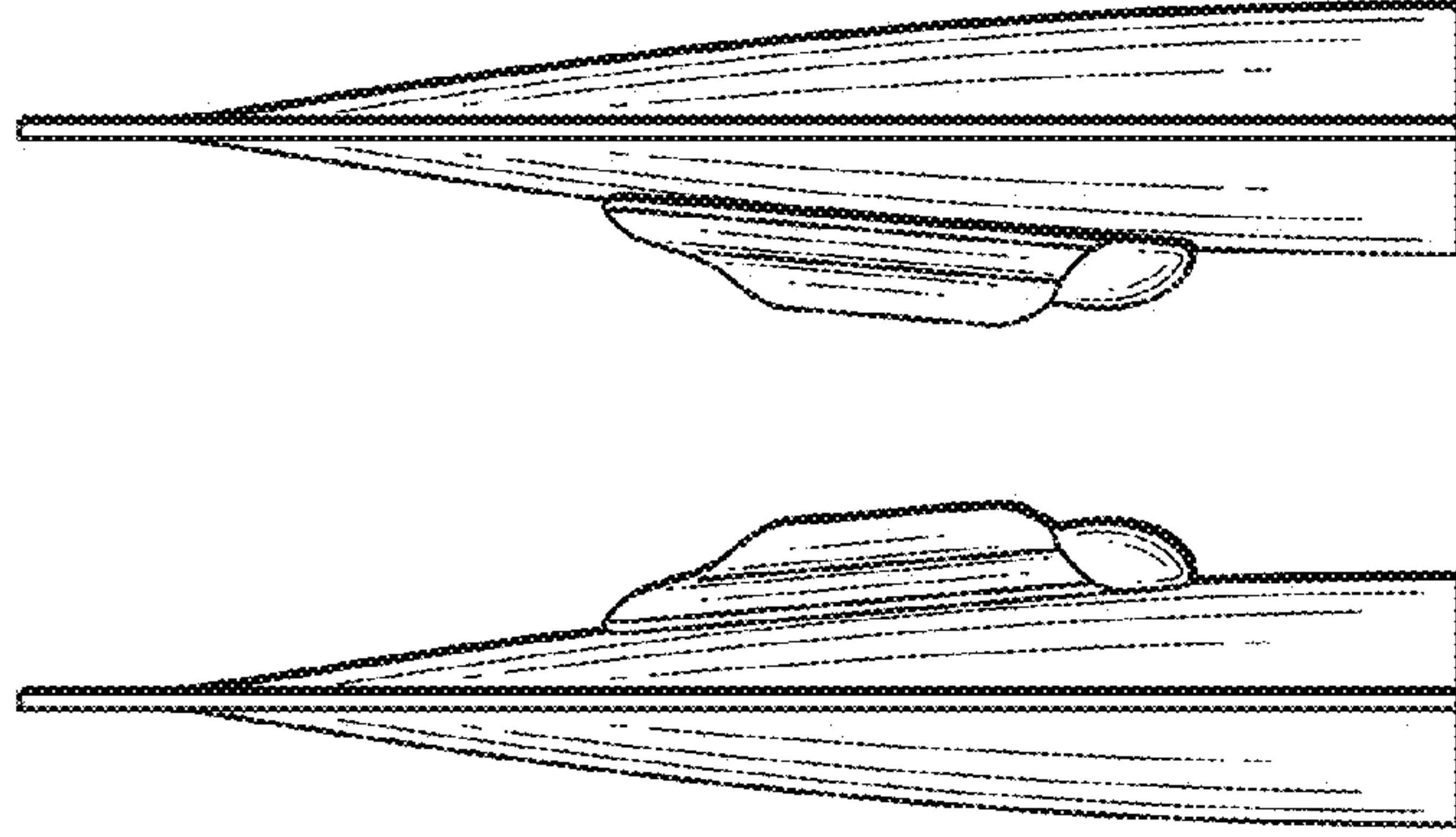


FIG. 6 FIG. 7