



US00D712749S

(12) **United States Design Patent**
Robertson

(10) **Patent No.:** **US D712,749 S**

(45) **Date of Patent:** **** Sep. 9, 2014**

(54) **WIRE SPOOL DISPENSER COVER**

(71) Applicant: **Monty R. Robertson**, Elkland, MO (US)

(72) Inventor: **Monty R. Robertson**, Elkland, MO (US)

(**) Term: **14 Years**

(21) Appl. No.: **29/488,663**

(22) Filed: **Apr. 22, 2014**

(51) **LOC (10) Cl.** **09-01**

(52) **U.S. Cl.**

USPC **D9/730**

(58) **Field of Classification Search**

CPC Y10S 206/804; Y10S 428/906; Y10S
383/906; B65D 85/04; B65D 85/672; B65D
85/671; B65D 85/67; B65D 85/00; B65D
83/0805; B65D 83/00; B65D 83/20; B65D
5/4204; B65H 75/10; B65H 75/141; B65H
49/322

USPC D9/414, 417, 418, 420, 428, 430, 434,
D9/435, 440, 443, 454, 455, 730, 731, 733,
D9/734, 736, 737; 206/38, 15, 207, 398,
206/400, 401, 403, 407, 409, 410, 702;
242/159, 160.4, 170, 171, 172, 570,
242/576, 601

See application file for complete search history.

(56) **References Cited**

U.S. PATENT DOCUMENTS

4,907,696	A *	3/1990	DeCoste, Jr.	206/411
5,062,580	A	11/1991	Meagher	
D341,079	S *	11/1993	Crowe	D9/730
D380,676	S *	7/1997	Holland	D9/434
6,637,689	B1	10/2003	Vega	
6,866,148	B2	3/2005	You et al.	
D591,171	S *	4/2009	Kanbar	D9/730
2005/0006276	A1 *	1/2005	Thiessen	206/702
2008/0035512	A1 *	2/2008	Lee	206/407

* cited by examiner

Primary Examiner — Derrick Holland

Assistant Examiner — Lauren Calve

(74) *Attorney, Agent, or Firm* — Crossley Patent Law;
Micah C. Gunn

(57) **CLAIM**

The ornamental design for a wire spool dispenser cover, as shown and described.

DESCRIPTION

FIG. 1 is a front elevation view of a wire spool dispenser cover showing my new design;

FIG. 2 is a rear elevation view thereof;

FIG. 3 is a right side elevation view thereof, the opposite side being a mirror image of the shown;

FIG. 4 is a top plan view thereof;

FIG. 5 is a bottom plan view thereof; and,

FIG. 6 is a perspective view thereof.

The broken lines shown in FIG. 6 represent unclaimed subject matter and form no part of the claimed design.

1 Claim, 4 Drawing Sheets

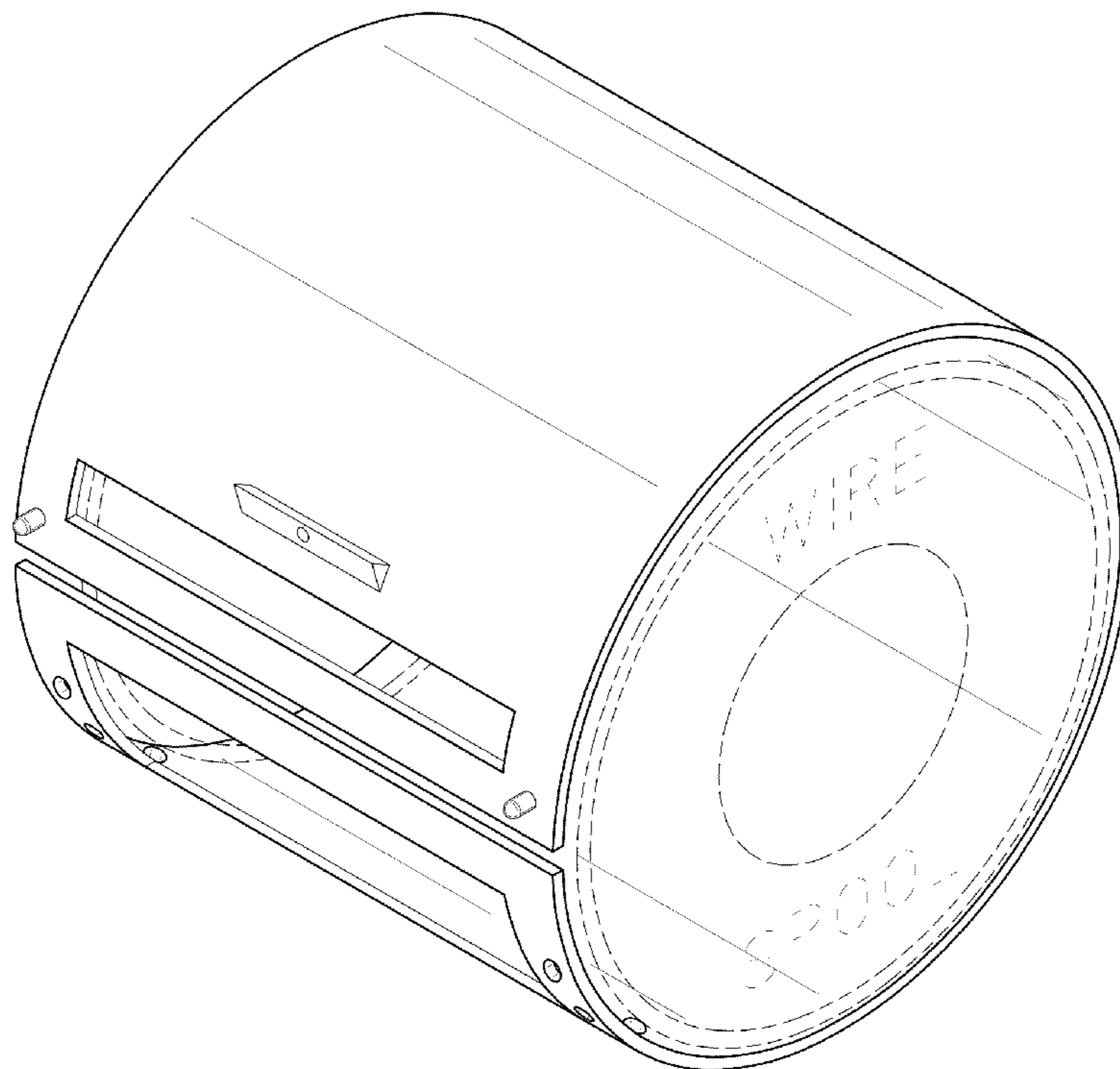


FIG. 1

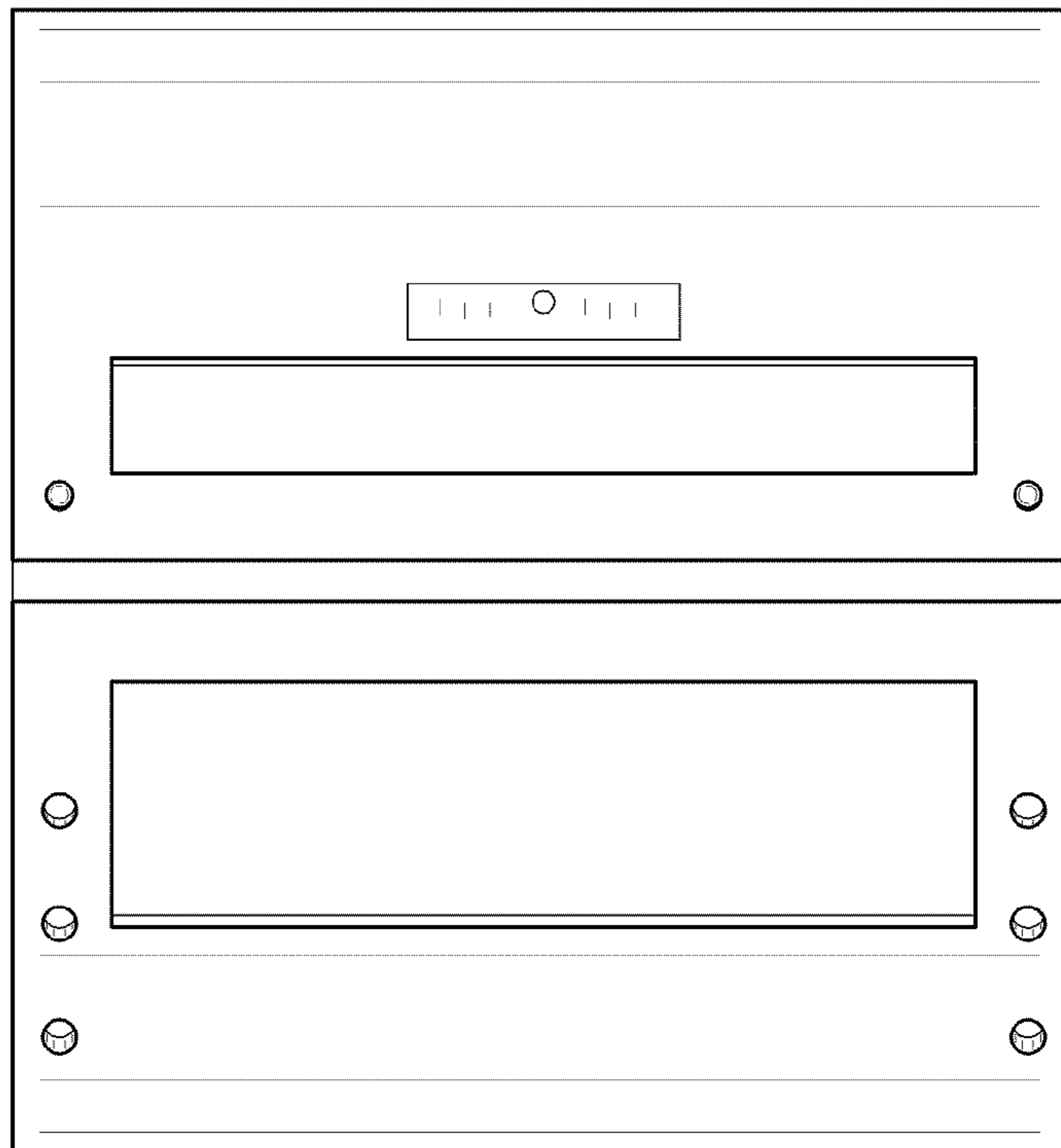
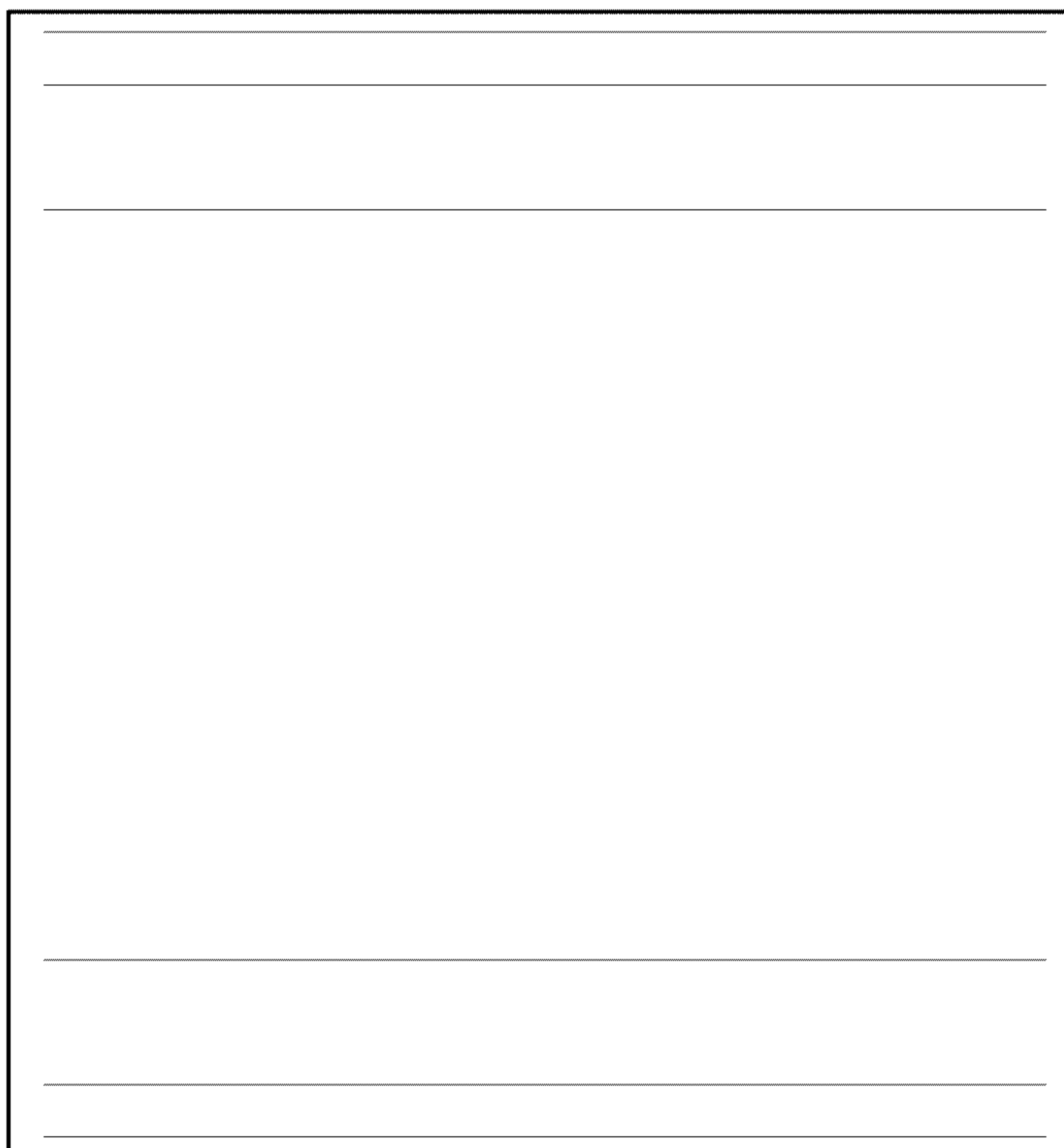


FIG. 2



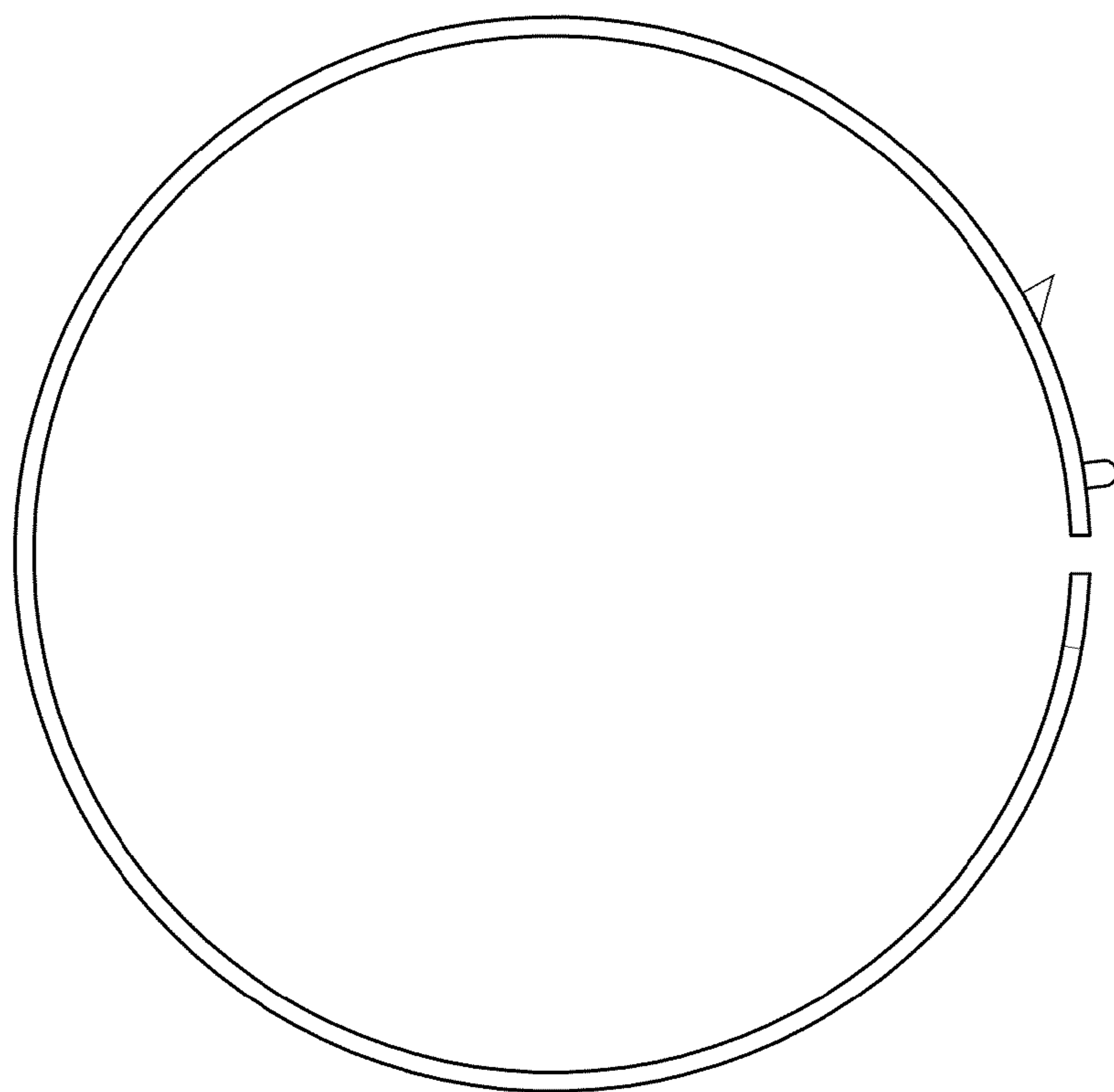


FIG. 3

FIG. 4

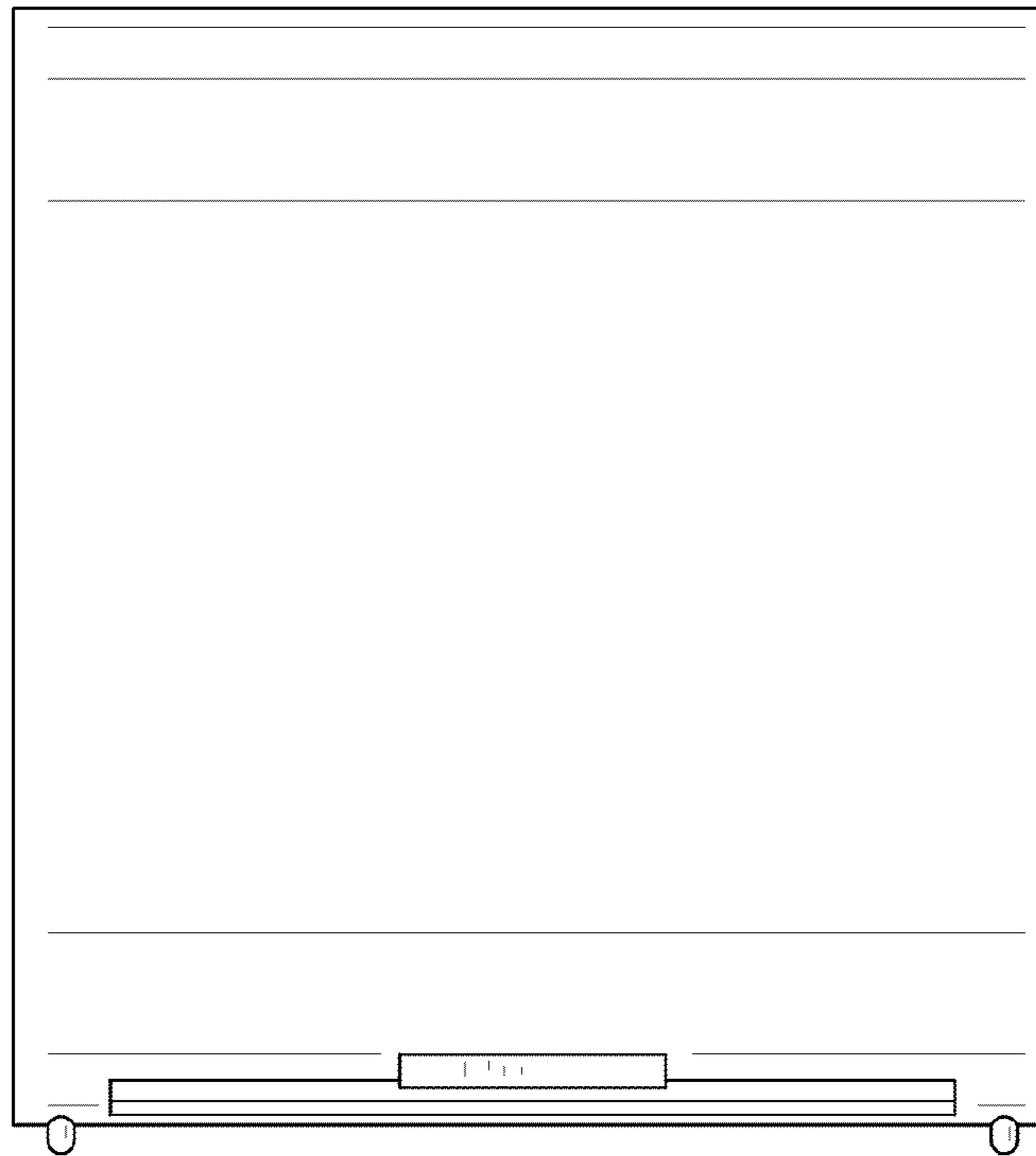
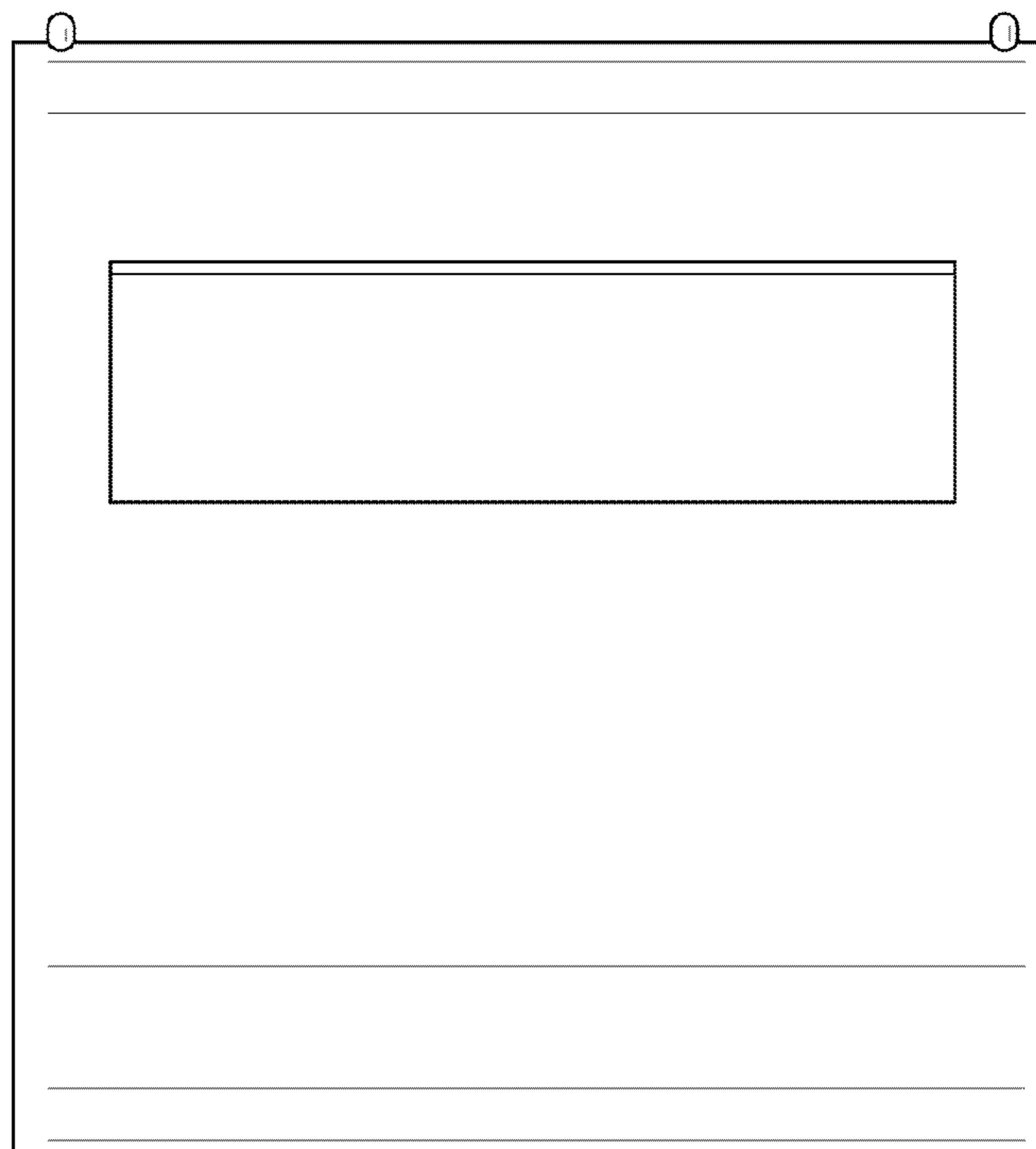


FIG. 5



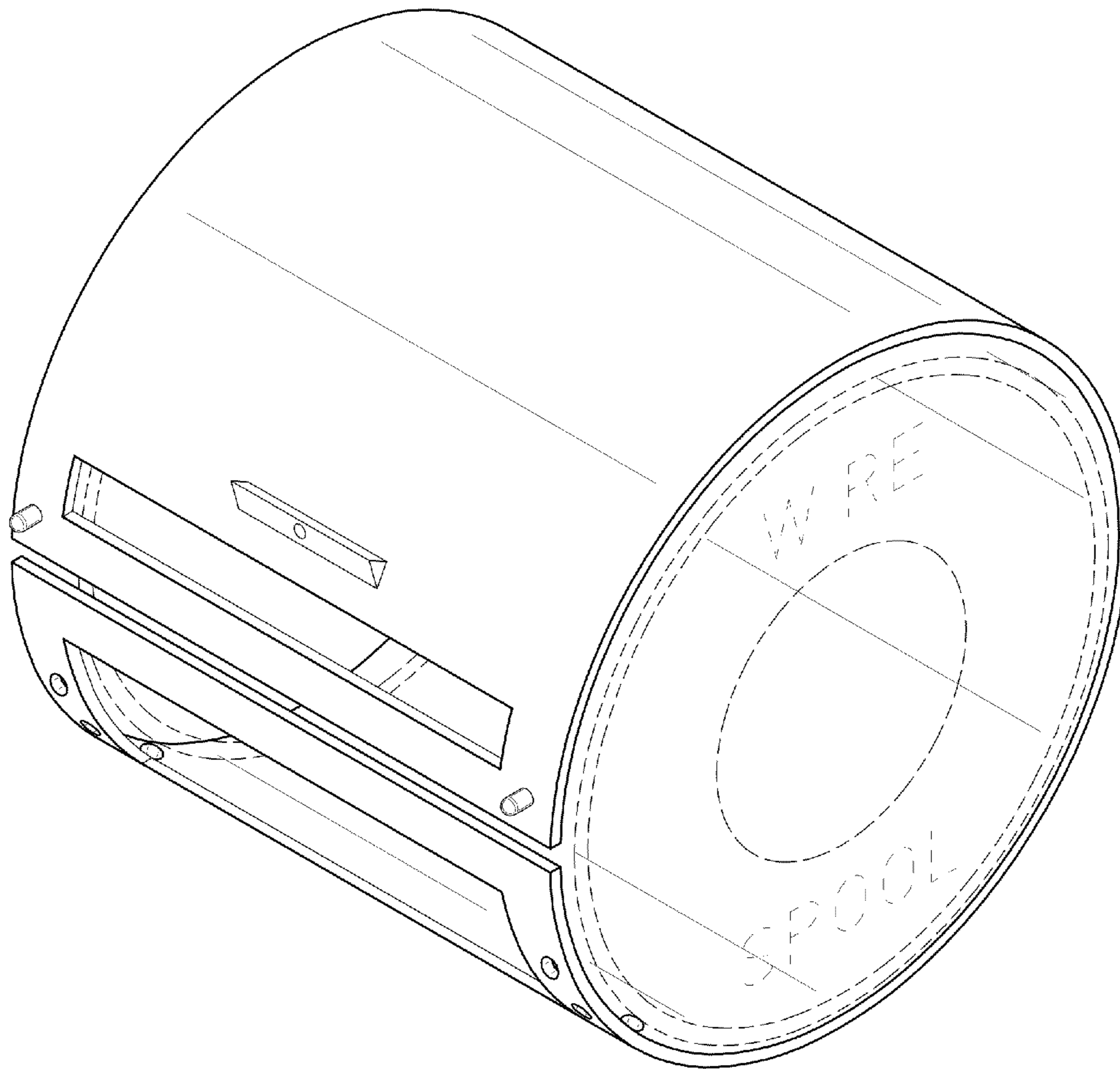


FIG. 6