



US00D712748S

(12) **United States Design Patent**
Akana et al.

(10) **Patent No.:** **US D712,748 S**

(45) **Date of Patent:** **** Sep. 9, 2014**

(54) **PACKAGING WITH ACCESSORIES**

(75) Inventors: **Jody Akana**, San Francisco, CA (US); **Bartley K. Andre**, Palo Alto, CA (US); **Shota Aoyagi**, San Francisco, CA (US); **Jeremy Bataillou**, San Francisco, CA (US); **Daniel J. Coster**, San Francisco, CA (US); **Daniele De Iuliis**, San Francisco, CA (US); **M. Evans Hankey**, San Francisco, CA (US); **Julian Hoenig**, San Francisco, CA (US); **Richard P. Howarth**, San Francisco, CA (US); **Jonathan P. Ive**, San Francisco, CA (US); **Duncan Robert Kerr**, San Francisco, CA (US); **Shin Nishibori**, Kailua, HI (US); **Matthew Dean Rohrbach**, San Francisco, CA (US); **Peter Russell-Clarke**, San Francisco, CA (US); **Mikael Silvano**, San Francisco, CA (US); **Christopher J. Stringer**, Woodside, CA (US); **Eugene Antony Whang**, San Francisco, CA (US); **Rico Zörkendörfer**, San Francisco, CA (US)

(73) Assignee: **Apple Inc.**, Cupertino, CA (US)

(**) Term: **14 Years**

(21) Appl. No.: **29/431,877**

(22) Filed: **Sep. 12, 2012**

(51) **LOC (10) Cl.** **09-03**

(52) **U.S. Cl.**
USPC **D9/721**

(58) **Field of Classification Search**
USPC D9/414, 418, 423, 424, 425, 426, 430, D9/432, 455, 456, 457, 737; 206/38, 192, 206/199, 201, 203, 214, 216, 223, 370, 467, 206/471, 557, 562, 564, 570, 581, 769, 770, 206/775, 776, 777, 820, 823; 229/100, 229/103.3, 162.1, 117.03–117.08, 186, 917, 229/933, 937, 942

See application file for complete search history.

(56) **References Cited**

U.S. PATENT DOCUMENTS

4,542,822 A 9/1985 Kennedy, Jr. et al.
4,606,460 A * 8/1986 Luray 206/583
5,311,990 A * 5/1994 Kalinski 206/370

(Continued)

OTHER PUBLICATIONS

Jacostore.co.uk, "Black Ladybird Beetle Earphones," (<http://www.jacostore.co.uk/black-ladybird-beetle-earphones-45-p.asp>), accessed Oct. 19, 2012, 1 page.

(Continued)

Primary Examiner — Derrick Holland

Assistant Examiner — Lauren Calve

(74) *Attorney, Agent, or Firm* — Sterne, Kessler, Goldstein & Fox P.L.L.C.

(57) **CLAIM**

The ornamental design for packaging with accessories, as shown and described.

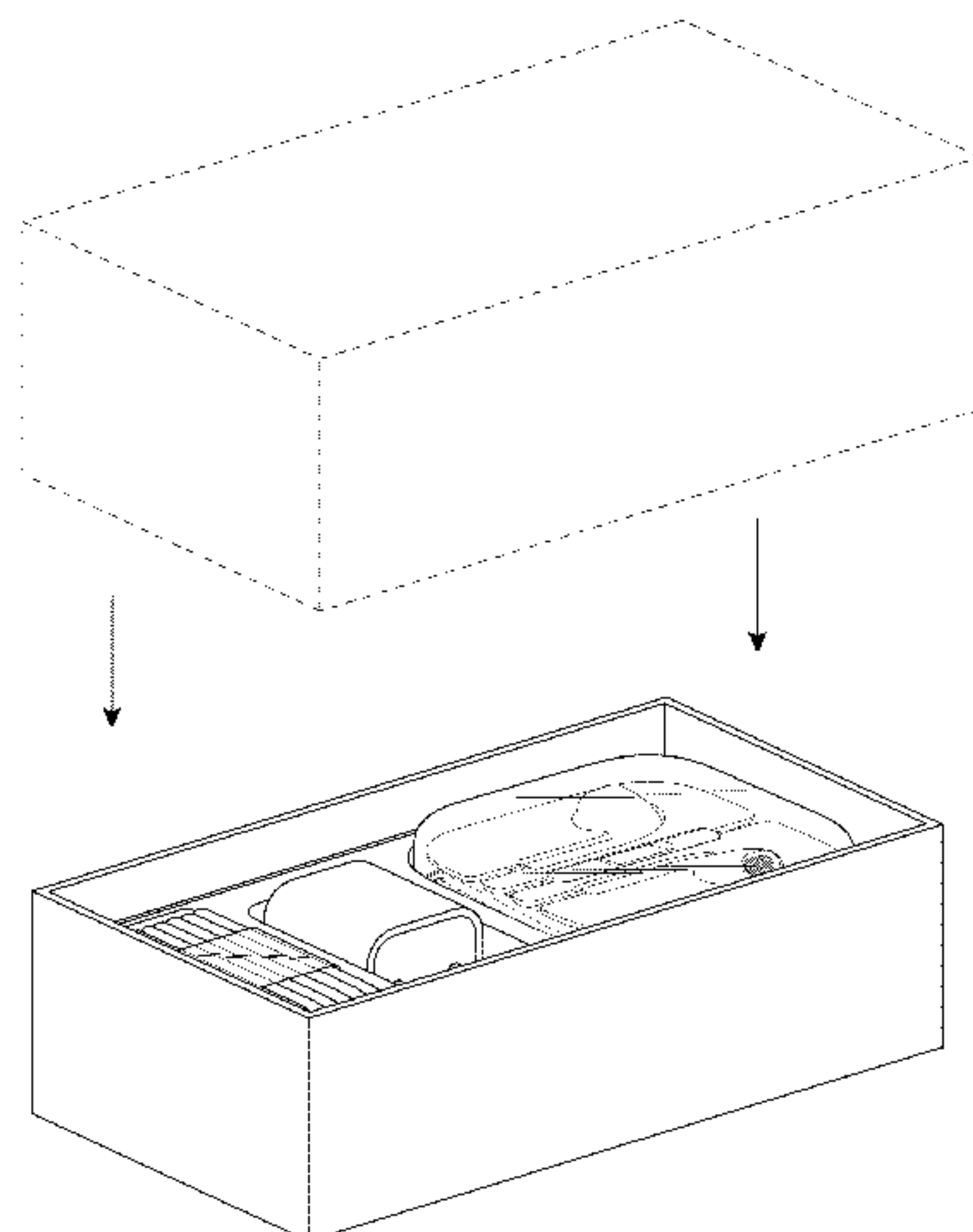
DESCRIPTION

FIG. 1 is an exploded bottom front perspective view of packaging with accessories showing our new design; FIG. 2 is a front view thereof; FIG. 3 is a rear view thereof; FIG. 4 is a side view thereof; FIG. 5 is another side view thereof; FIG. 6 is a top view thereof; and, FIG. 7 is a bottom view thereof.

The broken lines in the Figures show portions of the packaging with accessories which form no part of the claimed design.

The shade lines in the Figures show transparency and not surface ornamentation.

1 Claim, 5 Drawing Sheets



(56)

References Cited

OTHER PUBLICATIONS

U.S. PATENT DOCUMENTS

D349,456 S * 8/1994 Wilson D9/737
 5,449,071 A * 9/1995 Levy 206/569
 5,462,170 A * 10/1995 Colgate 206/574
 D397,865 S 9/1998 Lin
 5,984,224 A 11/1999 Yang
 6,400,247 B1 * 6/2002 King 335/302
 6,779,566 B2 * 8/2004 Engel 141/25
 D506,744 S 6/2005 Andre et al.
 D531,025 S 10/2006 Tanner
 D558,571 S 1/2008 Andre et al.
 D580,752 S 11/2008 Andre et al.
 D583,362 S * 12/2008 Hsu et al. D14/205
 D596,485 S 7/2009 Andre et al.
 D601,884 S 10/2009 Andre et al.
 D604,501 S 11/2009 Lee
 D611,415 S 3/2010 Andre et al.
 D620,795 S 8/2010 Andre et al.
 D621,256 S 8/2010 Andre et al.
 7,878,326 B2 2/2011 Andre et al.
 D649,449 S 11/2011 Akana et al.
 D649,450 S 11/2011 Andre et al.
 D658,492 S 5/2012 Akana et al.
 D659,530 S 5/2012 Akana et al.
 D668,143 S 10/2012 Akana et al.
 2012/0128193 A1 * 5/2012 Stevinson 381/384
 2013/0118944 A1 * 5/2013 Niire et al. 206/471

Birgers et al., U.S. Appl. No. 29/408,999, "Cable Hanking," filed Dec. 19, 2011 (Not Published).
 Akana et al., U.S. Appl. No. 29/431,563, "Earphones," filed Sep. 8, 2012 (Not Published).
 Akana et al., U.S. Appl. No. 29/431,731, "Stand," filed Sep. 11, 2012 (Not Published).
 Akana et al., U.S. Appl. No. 29/431,868, "Packaging," filed Sep. 11, 2012 (Not Published).
 Akana et al., U.S. Appl. No. 29/431,876, "Packaging with Accessory," filed Sep. 11, 2012 (Not Published).
 Akana et al., U.S. Appl. No. 29/431,882, "Packaging with Accessories," filed Sep. 12, 2012 (Not Published).
 Akana et al., U.S. Appl. No. 29/431,920, "Packaging with Accessory," filed Sep. 12, 2012 (Not Published).
 Akana et al., U.S. Appl. No. 29/432,033, "Earphones," filed Sep. 12, 2012 (Not Published).
 Akana et al., U.S. Appl. No. 29/432,035, "Packaging with Accessories," filed Sep. 12, 2012 (Not Published).
 Akana et al., U.S. Appl. No. 29/432,147, "Packaging with Accessories," filed Sep. 13, 2012 (Not Published).
 Akana et al., U.S. Appl. No. 29/432,409, "Packaging with Accessories," filed Sep. 14, 2012 (Not Published).
 Birgers et al., U.S. Appl. No. 29/409,740, filed Dec. 28, 2011 (Not Published).

* cited by examiner

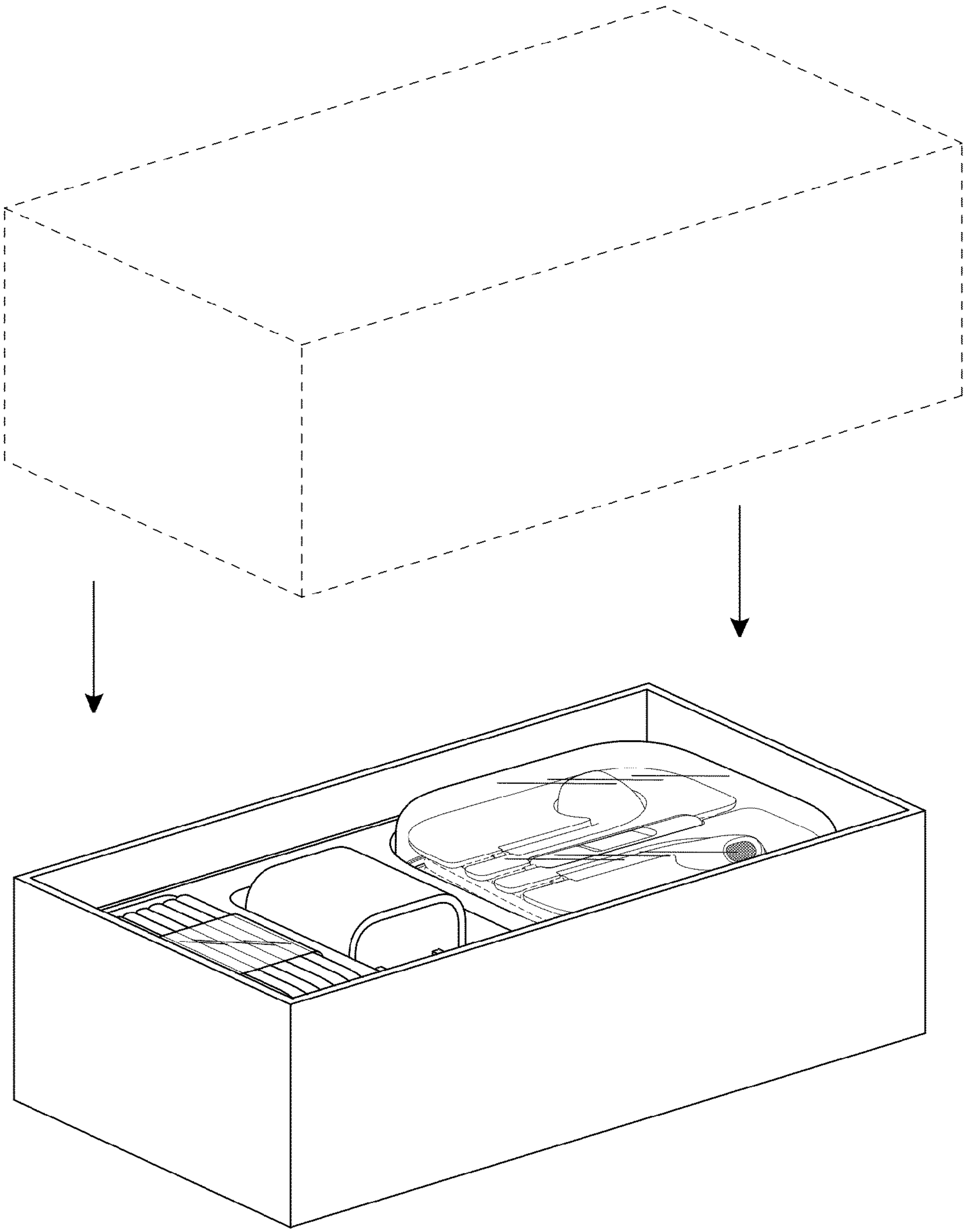


FIG. 1

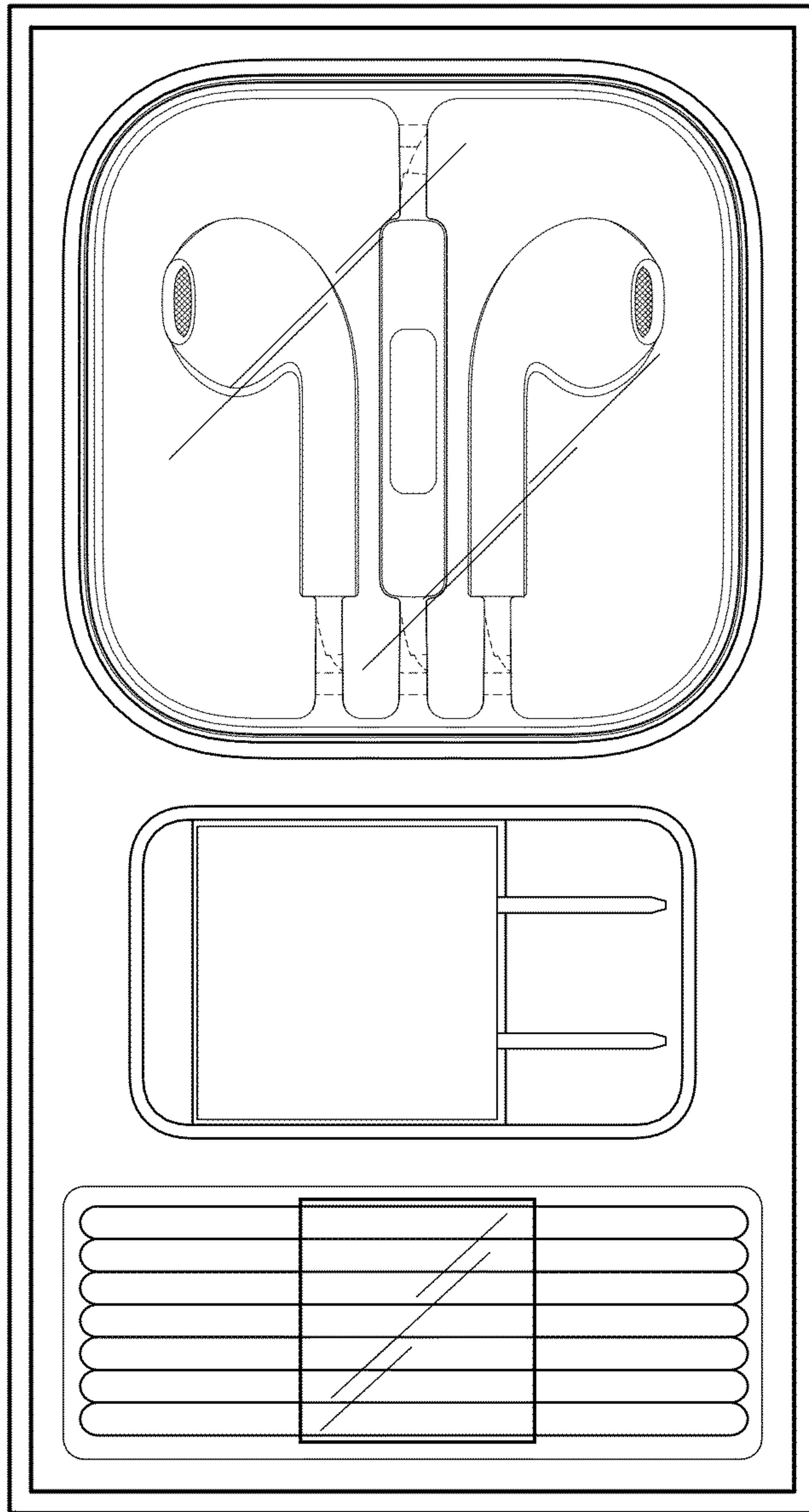


FIG. 2

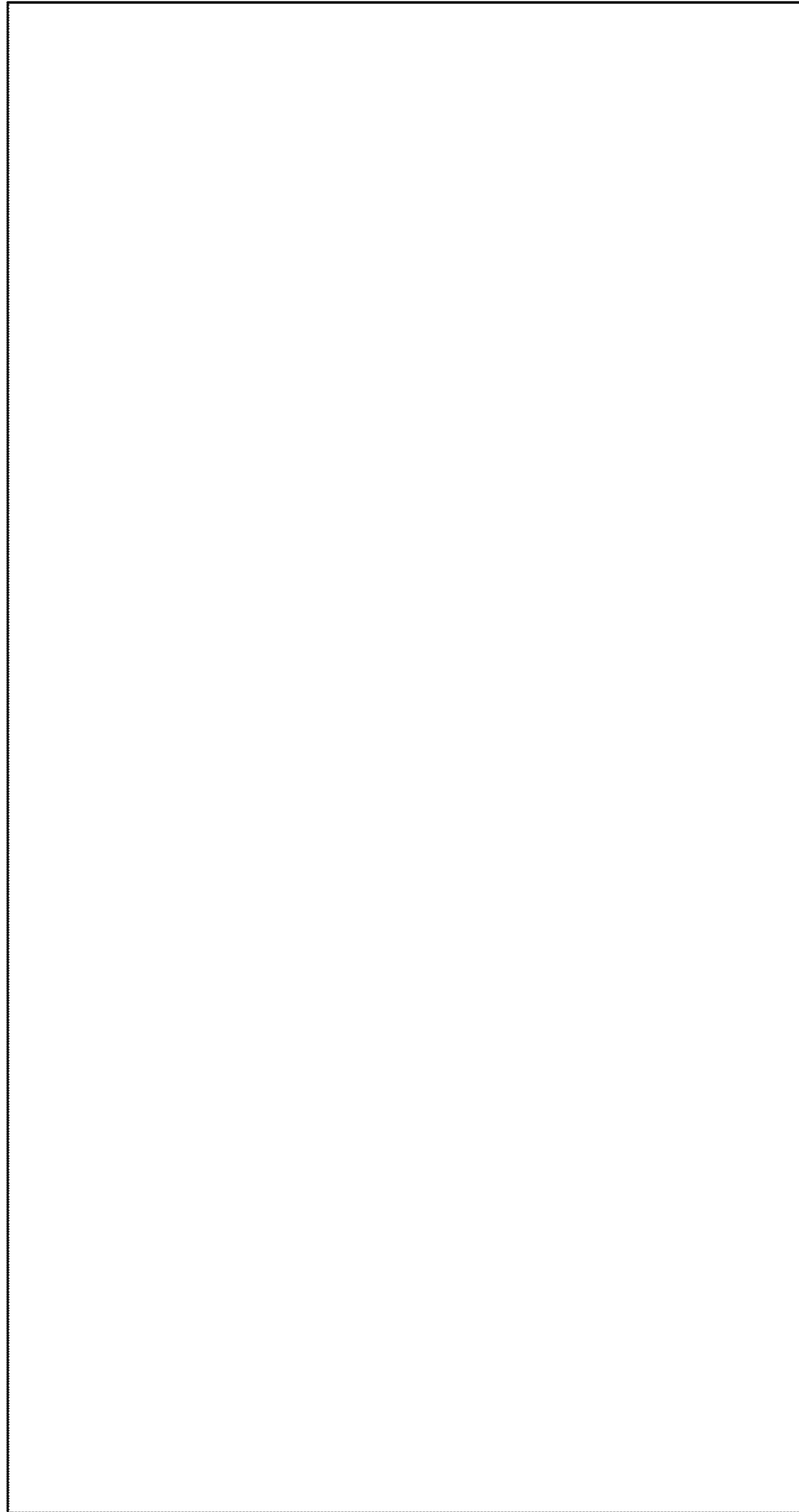


FIG. 3

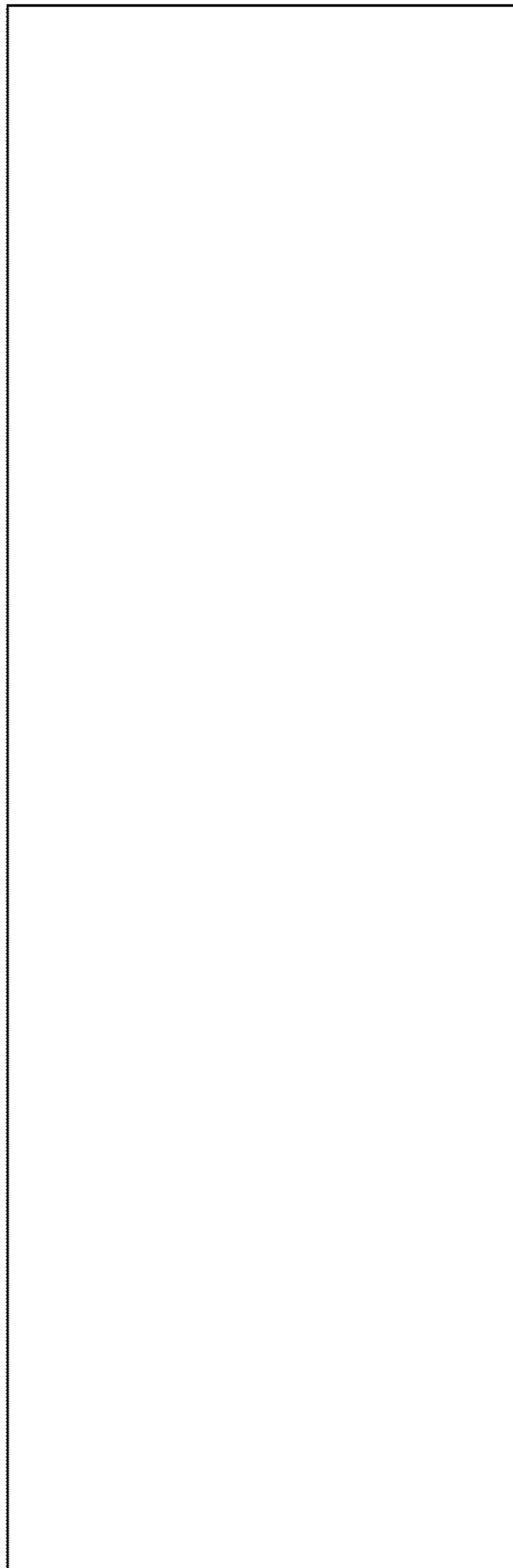


FIG. 4

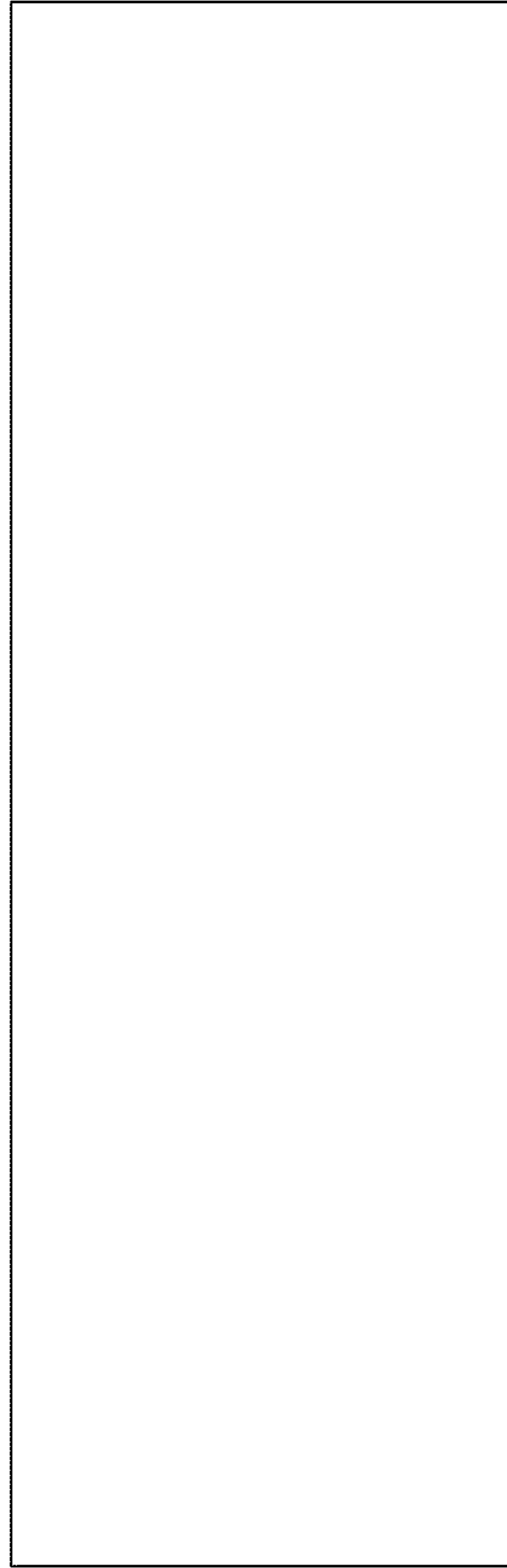


FIG. 5

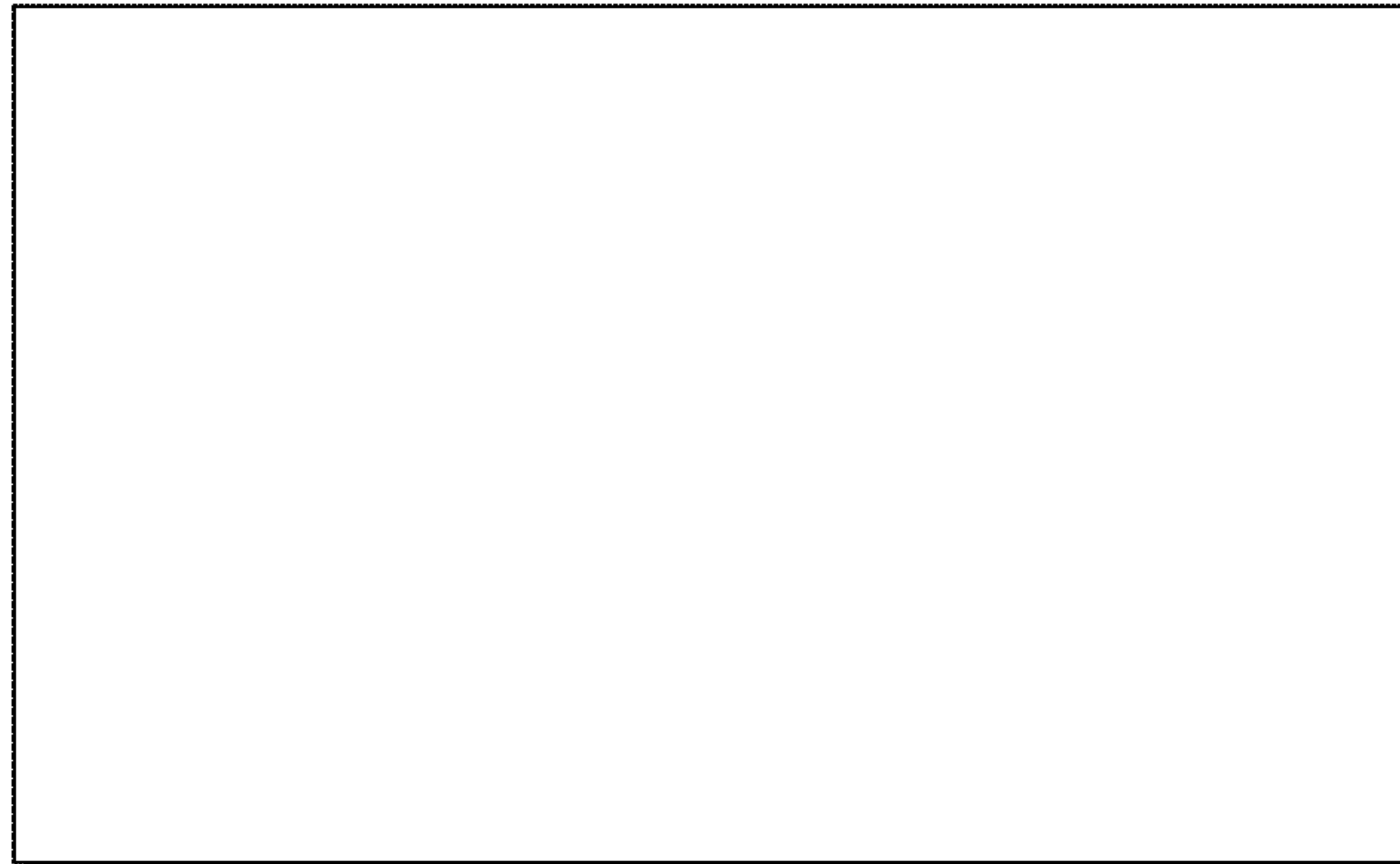


FIG. 6



FIG. 7