



US00D712746S

(12) **United States Design Patent**  
**Widdison**

(10) **Patent No.:** **US D712,746 S**  
(45) **Date of Patent:** **\*\* Sep. 9, 2014**

(54) **CONTAINER**

(75) Inventor: **Leon Widdison**, Laufen (DE)

(73) Assignee: **WIBERG Besitz GmbH**, Salzburg (AT)

(\*\*) Term: **14 Years**

(21) Appl. No.: **29/406,554**

(22) Filed: **Nov. 16, 2011**

(30) **Foreign Application Priority Data**

Aug. 24, 2011 (EM) ..... 001907775-0002

(51) **LOC (10) CL.** ..... **09-01**

(52) **U.S. CL.**  
USPC ..... **D9/529**; D9/574

(58) **Field of Classification Search**  
CPC ..... B65D 37/00; B65D 90/02; B65D 1/32;  
B65D 1/0223  
USPC ..... D9/682, 686, 687, 694, 16, 529, 544,  
D9/546, 559, 560, 572-575, 435, 444,  
D9/445; 215/381-385; 220/660, 669, 670,  
220/675; D28/76, 82, 85  
See application file for complete search history.

(56) **References Cited**

**U.S. PATENT DOCUMENTS**

383,394	A	*	5/1888	Higgins	.....	215/367
D225,327	S	*	12/1972	Marsh	.....	D23/207
D287,340	S	*	12/1986	Dinand	.....	D9/560
D311,681	S	*	10/1990	Aggarwal	.....	D9/547
4,966,479	A	*	10/1990	Idec et al.	.....	401/68
D318,610	S	*	7/1991	Nitta	.....	D9/687
D340,867	S	*	11/1993	Martin	.....	D9/543
D432,427	S	*	10/2000	Shanahan	.....	D9/544
6,216,942	B1	*	4/2001	Kittscher	.....	215/383 X
6,457,602	B2	*	10/2002	Uchiyama	.....	220/675 X
D477,380	S	*	7/2003	Pitts et al.	.....	D23/207
D500,681	S	*	1/2005	Uchiyama	.....	D9/560
D501,279	S	*	1/2005	Dittmer et al.	.....	D28/85
D526,206	S	*	8/2006	Varlet	.....	D9/560
D527,646	S	*	9/2006	Cornet et al.	.....	D9/560

7,225,926	B2	*	6/2007	Abe	.....	206/524.1
D561,593	S	*	2/2008	Gomez	.....	D9/529
D571,219	S	*	6/2008	McCoy	.....	D9/546
D577,599	S	*	9/2008	Moretti	.....	D9/574 X
D578,898	S	*	10/2008	Ungrady	.....	D9/574 X
D590,720	S	*	4/2009	Oates et al.	.....	D9/573 X
D602,785	S	*	10/2009	Rothberg et al.	.....	D9/573 X
D603,717	S	*	11/2009	Rica	.....	D9/560
D644,108	S	*	8/2011	Vila Calvo	.....	D9/529
D691,484	S	*	10/2013	Fitzgerald	.....	D9/516 X
2002/0005410	A1	*	1/2002	Uchiyama	.....	220/669
2010/0230438	A1	*	9/2010	Sardo, Jr.	.....	222/105

\* cited by examiner

*Primary Examiner* — Carol P Rademaker

(74) *Attorney, Agent, or Firm* — Collard & Roe, P.C.

(57) **CLAIM**

The ornamental design for a container, as shown and described.

**DESCRIPTION**

FIG. 1 is a top, front, and right side perspective view of a container of my new design, the cap shown separately to disclose the portion beneath the cap;

FIG. 2 is a top, front, and right side perspective view thereof, the cap shown separately and in inverted condition;

FIG. 3 is a top, front, and right side perspective view of the container of FIG. 1, the cap shown assembled on the container;

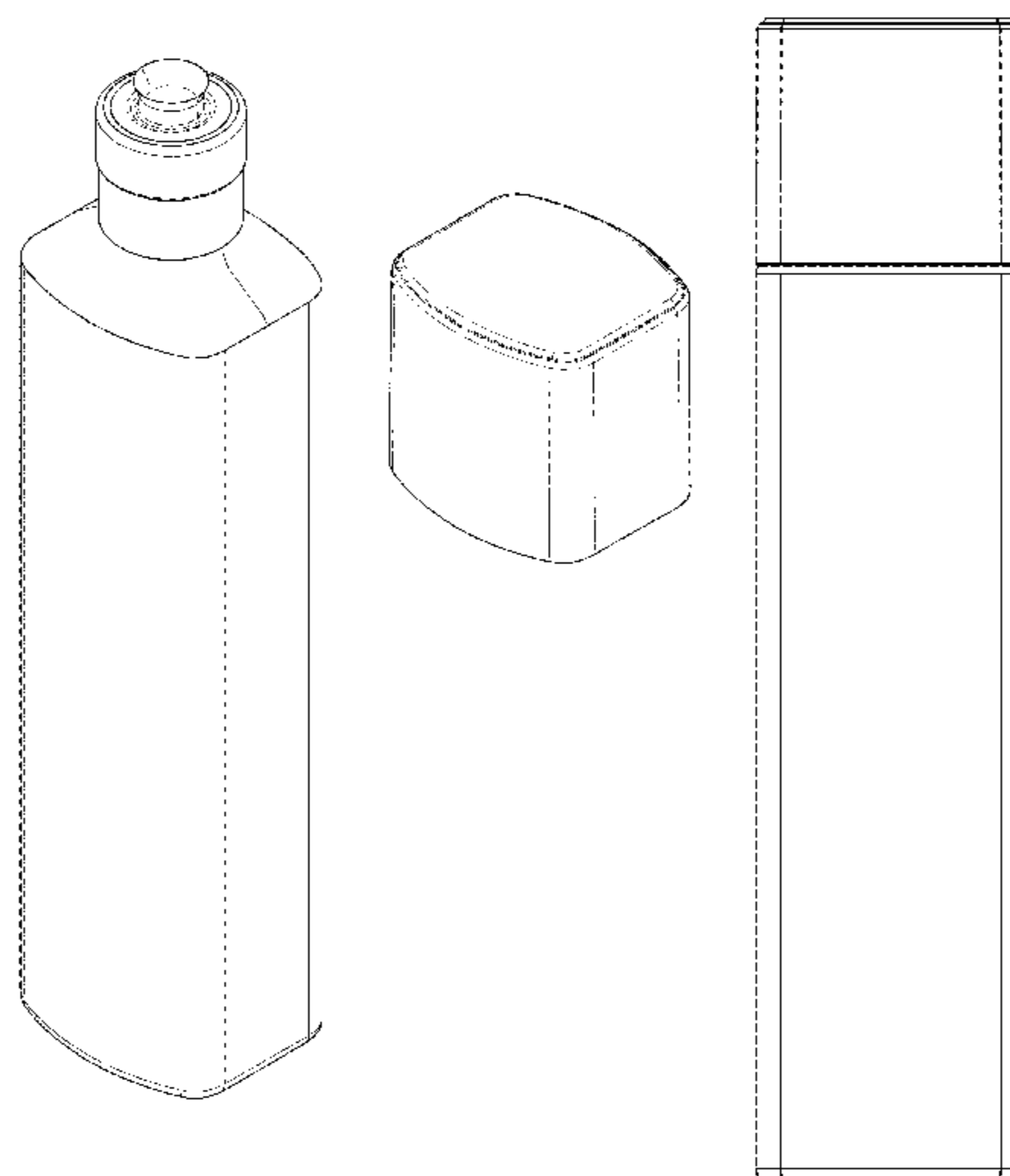
FIG. 4 is a front elevational view of the container of FIG. 1 with the cap shown separately to disclose the portion beneath the cap, the rear elevational view being identical;

FIG. 5 is a front elevational view of the container of FIG. 3 with the cap shown assembled on the container, the rear elevational view being identical; and,

FIG. 6 is a right side elevational view thereof, the left side elevational view being identical.

The broken lines shown in the drawings are included for the purpose of illustrating environmental structure and form no part of the claimed design.

**1 Claim, 6 Drawing Sheets**



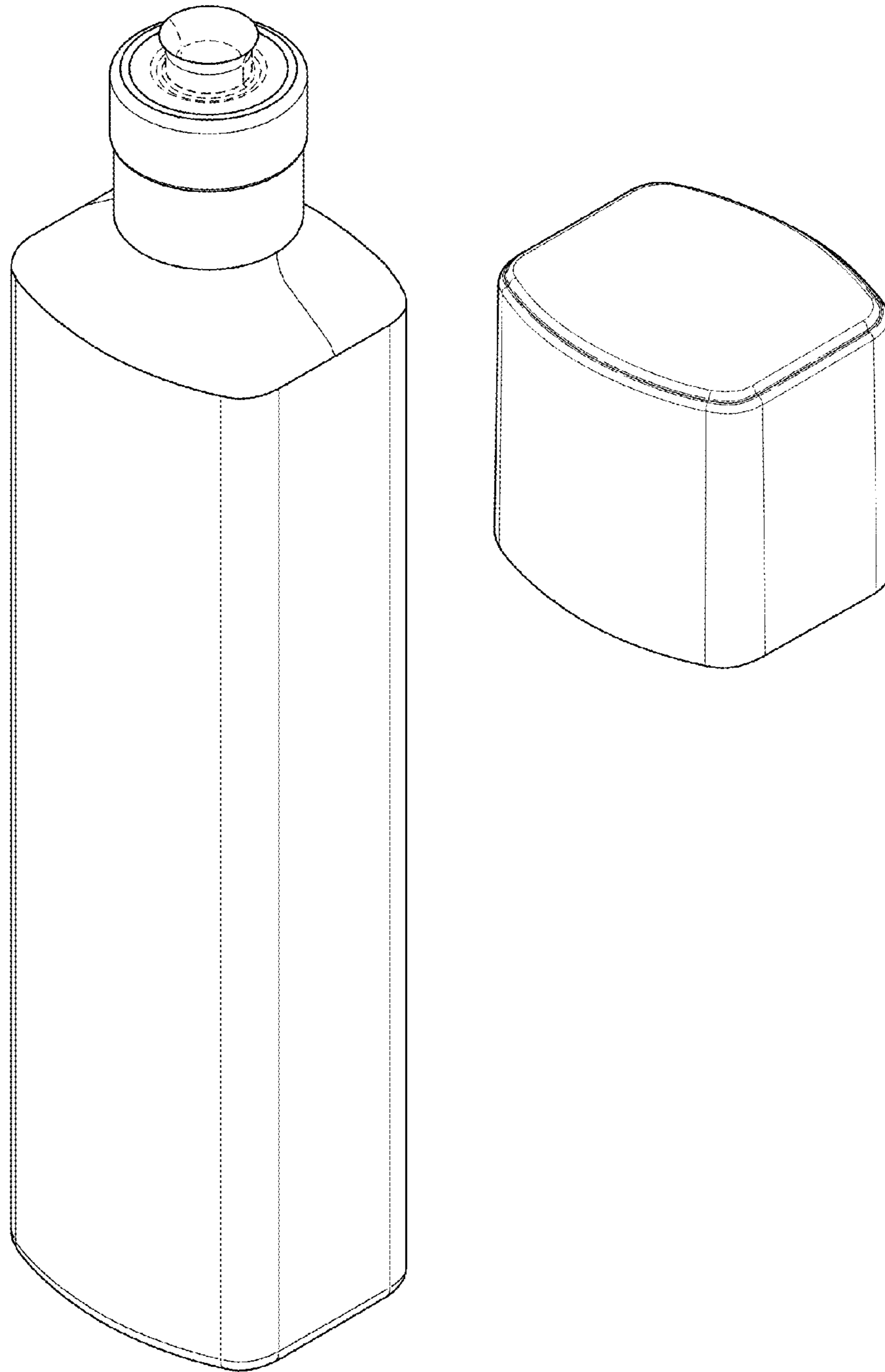


FIG. 1

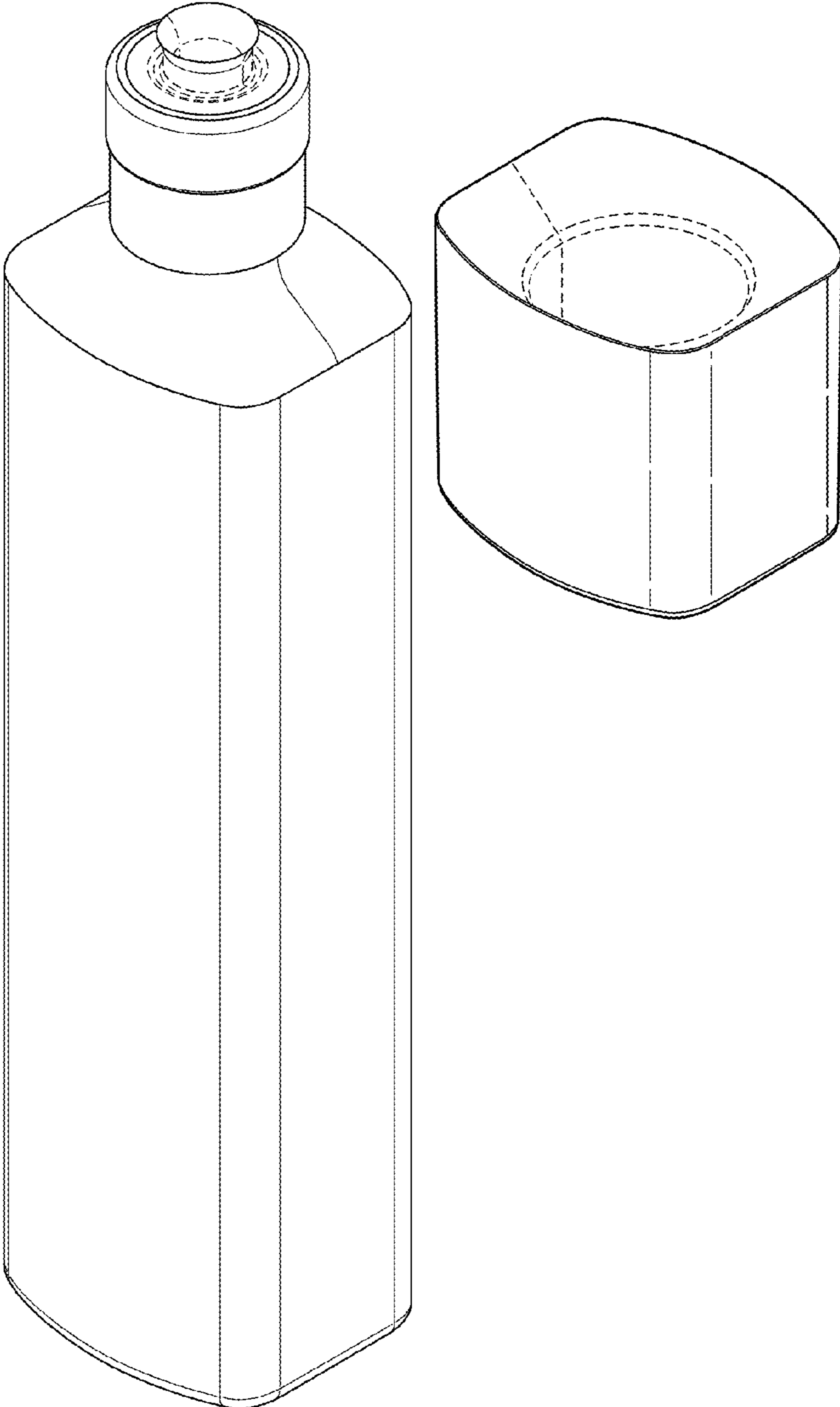


FIG. 2

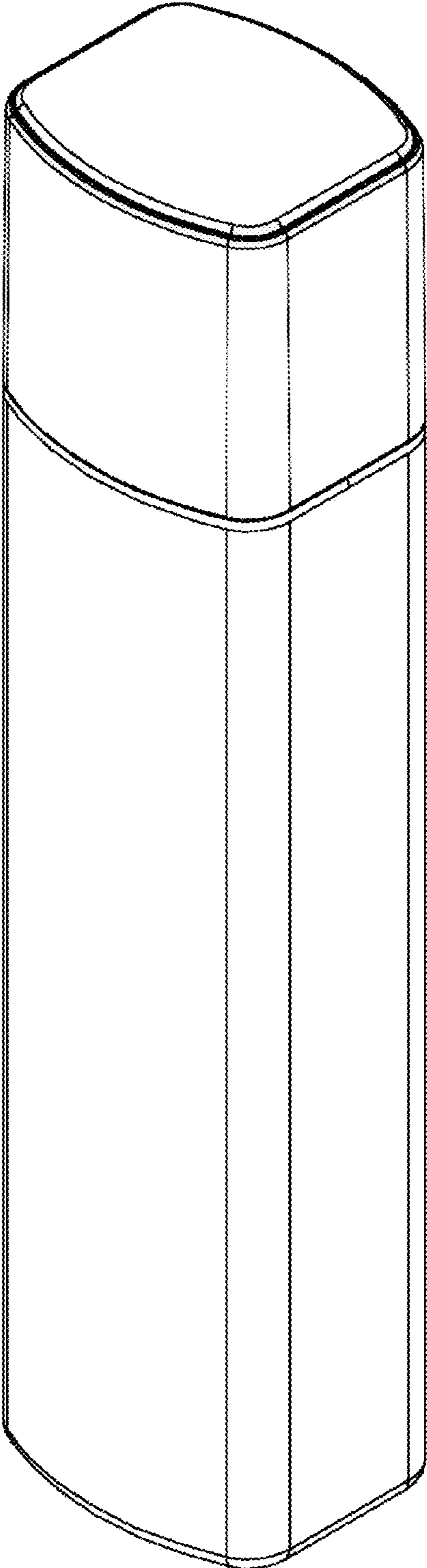


FIG. 3



FIG. 4

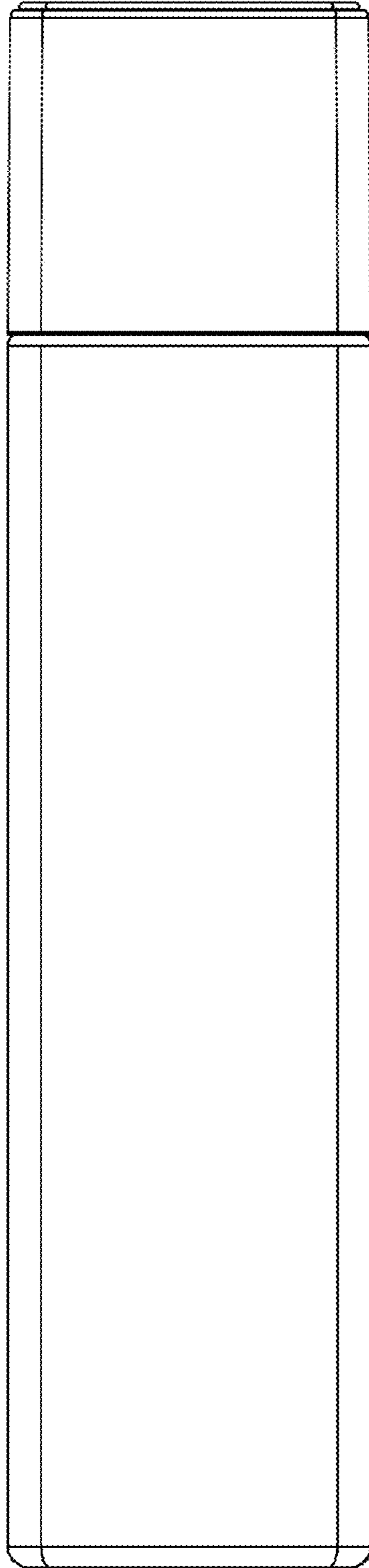


FIG. 5



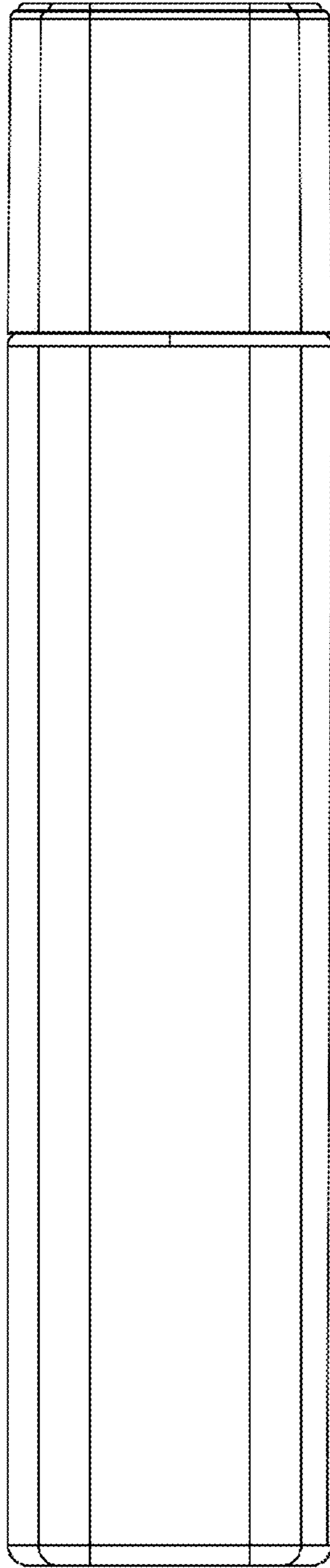


FIG. 6