



US00D712739S

(12) **United States Design Patent**
Lapsker

(10) **Patent No.:** **US D712,739 S**
(45) **Date of Patent:** **** Sep. 9, 2014**

(54) **LID BOTTOM**

(71) Applicant: **Ron Lapsker**, Maple (CA)

(72) Inventor: **Ron Lapsker**, Maple (CA)

(73) Assignee: **Starline Global Inc.**, Bridgetown (BB)

(**) Term: **14 Years**

(21) Appl. No.: **29/436,140**

(22) Filed: **Nov. 1, 2012**

(51) **LOC (10) Cl.** **09-07**

(52) **U.S. Cl.**
USPC **D9/435**

(58) **Field of Classification Search**
USPC D9/434-455, 499; D23/260; 4/293;
137/512; 215/200, 217, 227, 231;
222/1, 23, 109, 147, 153.09, 164, 166,
222/168.5, 205, 207, 221, 222, 227, 386,
222/405, 434, 435, 438, 439, 440, 448, 450,
222/454, 456, 484, 494, 496, 521-525, 544,
222/566, 567, 568, 571, 578
See application file for complete search history.

(56) **References Cited**

U.S. PATENT DOCUMENTS

4,474,314	A *	10/1984	Roggenburg, Jr.	222/494
4,927,065	A *	5/1990	Beck	222/520
D327,648	S *	7/1992	Cane	D9/436
D363,429	S *	10/1995	Lee	D9/454
D456,256	S *	4/2002	Paczosa	D9/435

D632,173	S *	2/2011	Makita	D9/447
D681,458	S *	5/2013	Santarelli	D9/449
8,499,968	B2 *	8/2013	Aviram	222/1
D700,514	S *	3/2014	Abbondanzio	D9/448
2002/0050461	A1 *	5/2002	Vlodek	206/219
2003/0029890	A1 *	2/2003	Olechowski et al.	222/525
2012/0223106	A1 *	9/2012	Painchaud et al.	222/422

* cited by examiner

Primary Examiner — Susan Bennett Hattan

Assistant Examiner — Leanne Was

(74) *Attorney, Agent, or Firm* — Hodgson Russ LLP

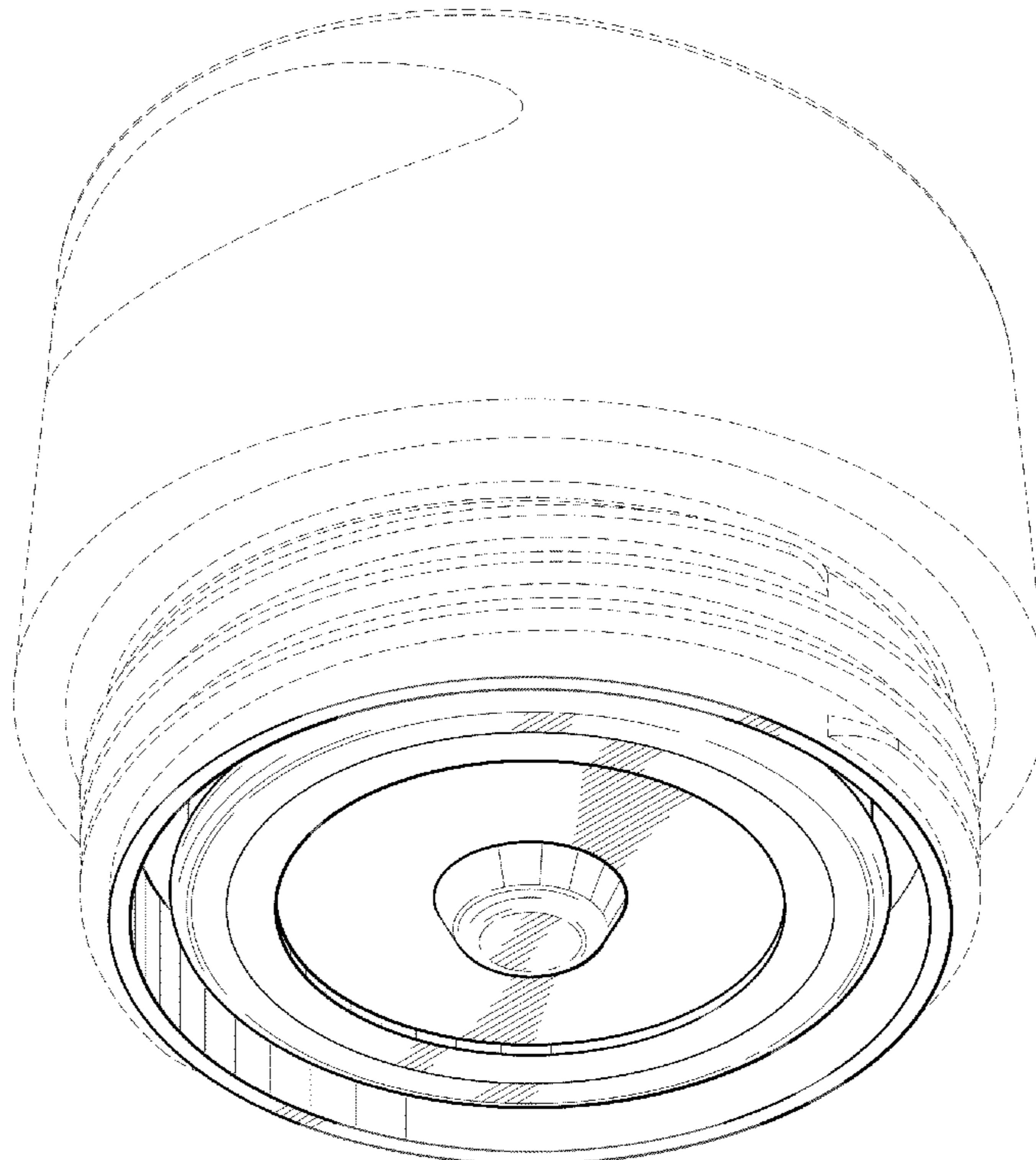
(57) **CLAIM**

The ornamental design for a lid bottom, as shown and described.

DESCRIPTION

FIG. 1 is a front perspective view of a lid bottom showing my new design;
FIG. 2 is a front view thereof;
FIG. 3 is a right side view thereof;
FIG. 4 is a rear view thereof
FIG. 5 is a top view thereof;
FIG. 6 is a bottom view thereof;
FIG. 7 is a front perspective view with the plunger of the lid bottom removed for ease of illustration; and,
FIG. 8 is a bottom view the plunger of the lid bottom removed for ease of illustration.
The broken lines illustrate portions of the lid bottom and form no part of the claimed design.

1 Claim, 8 Drawing Sheets



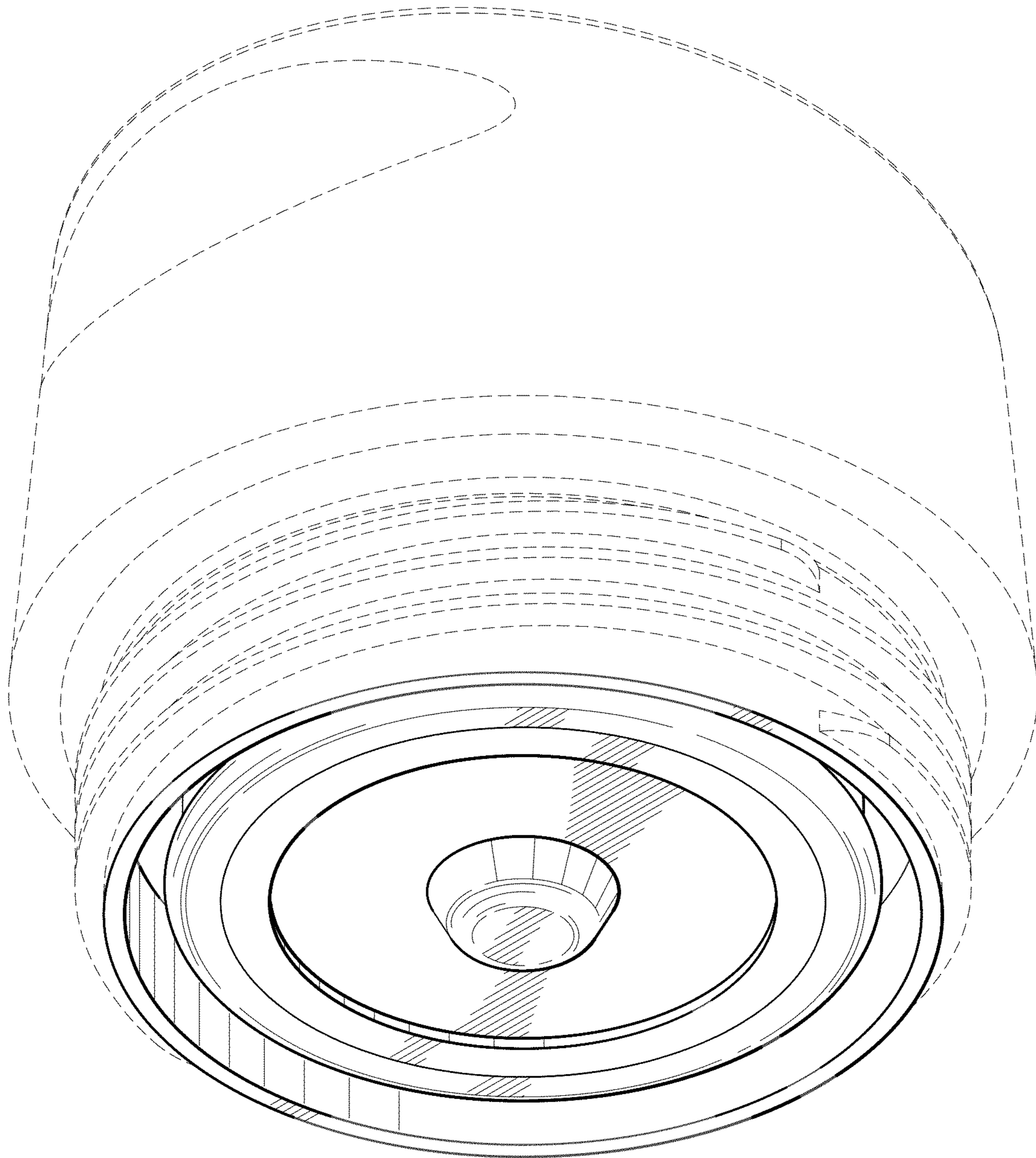


FIG. 1

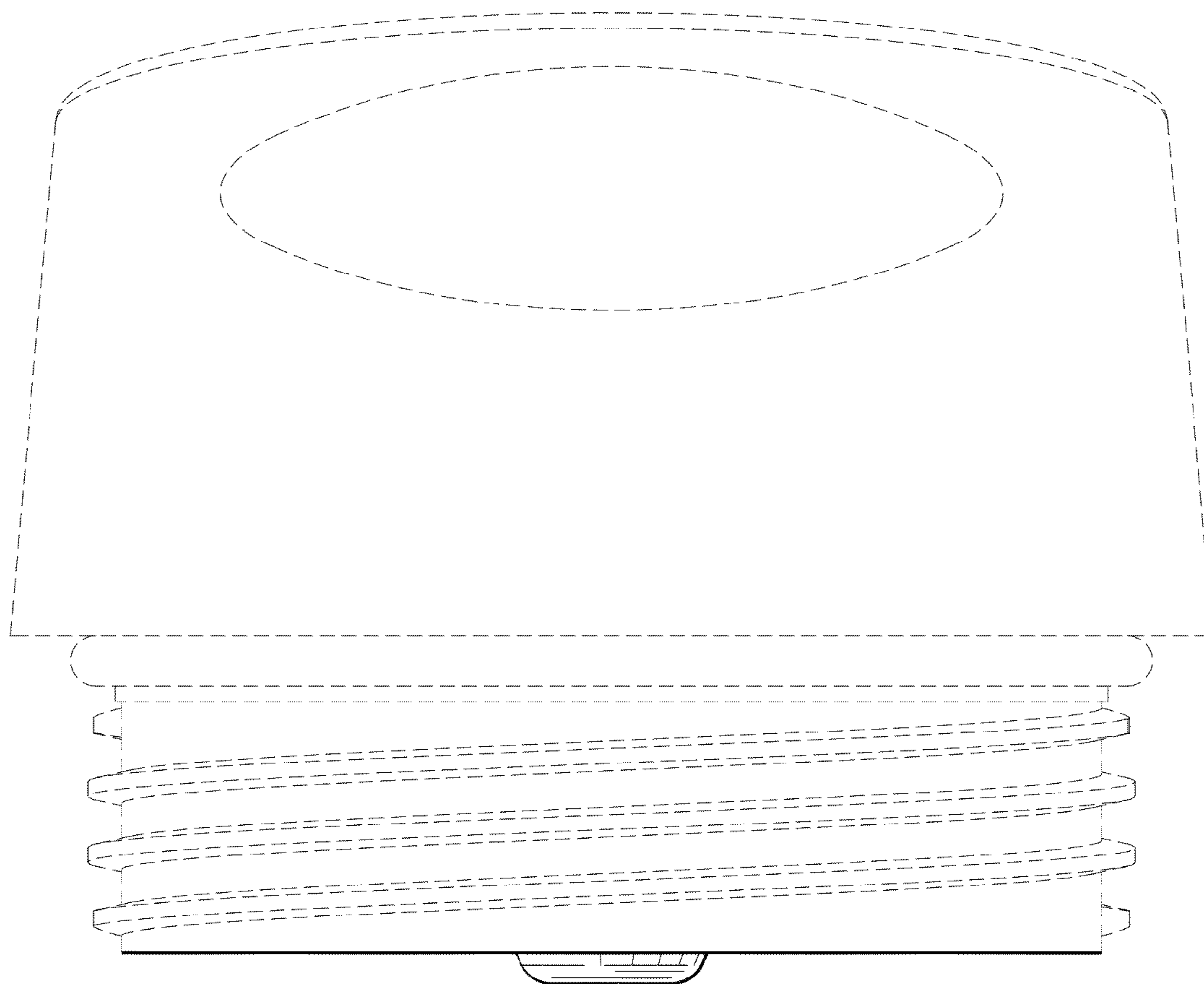


FIG. 2

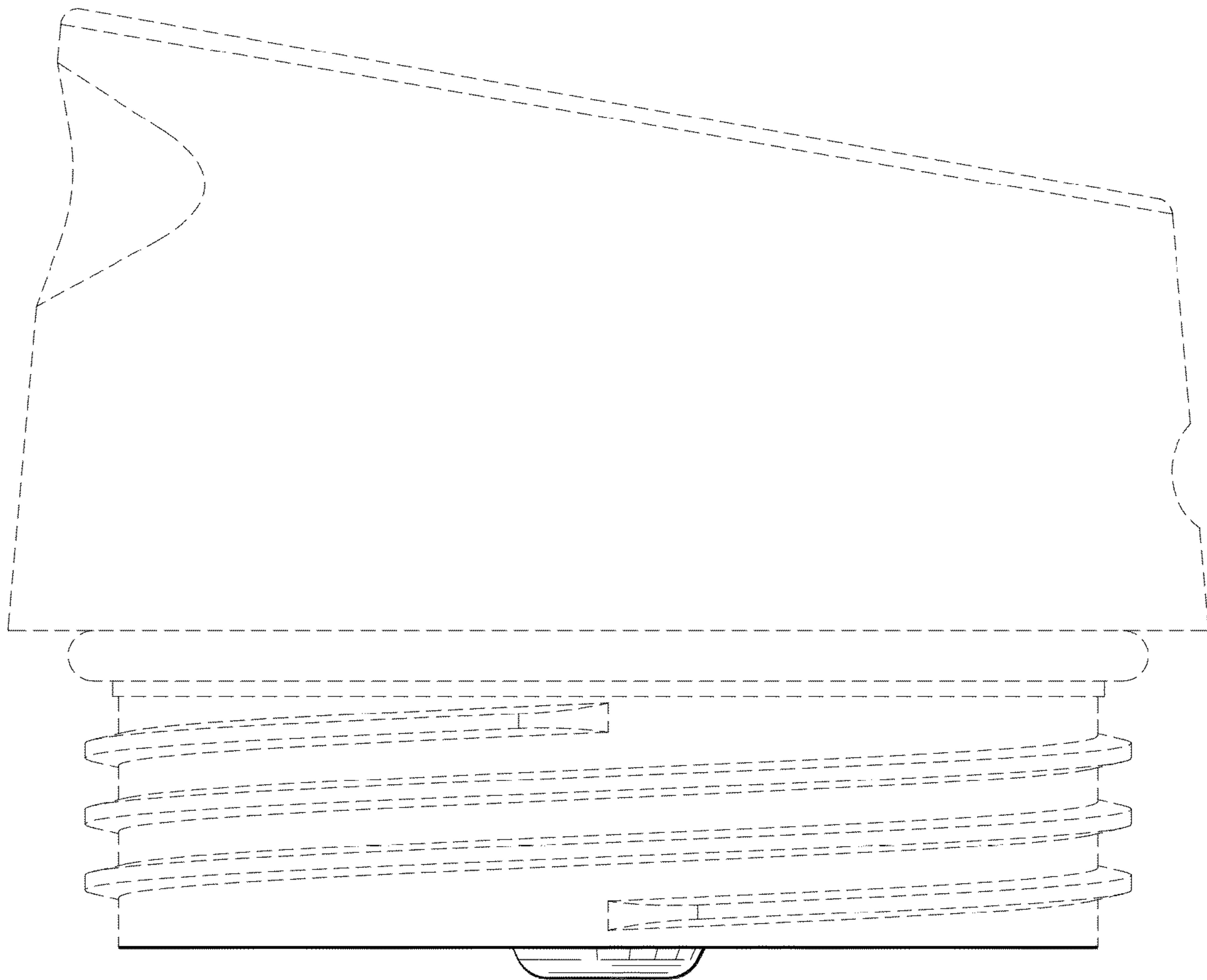


FIG. 3

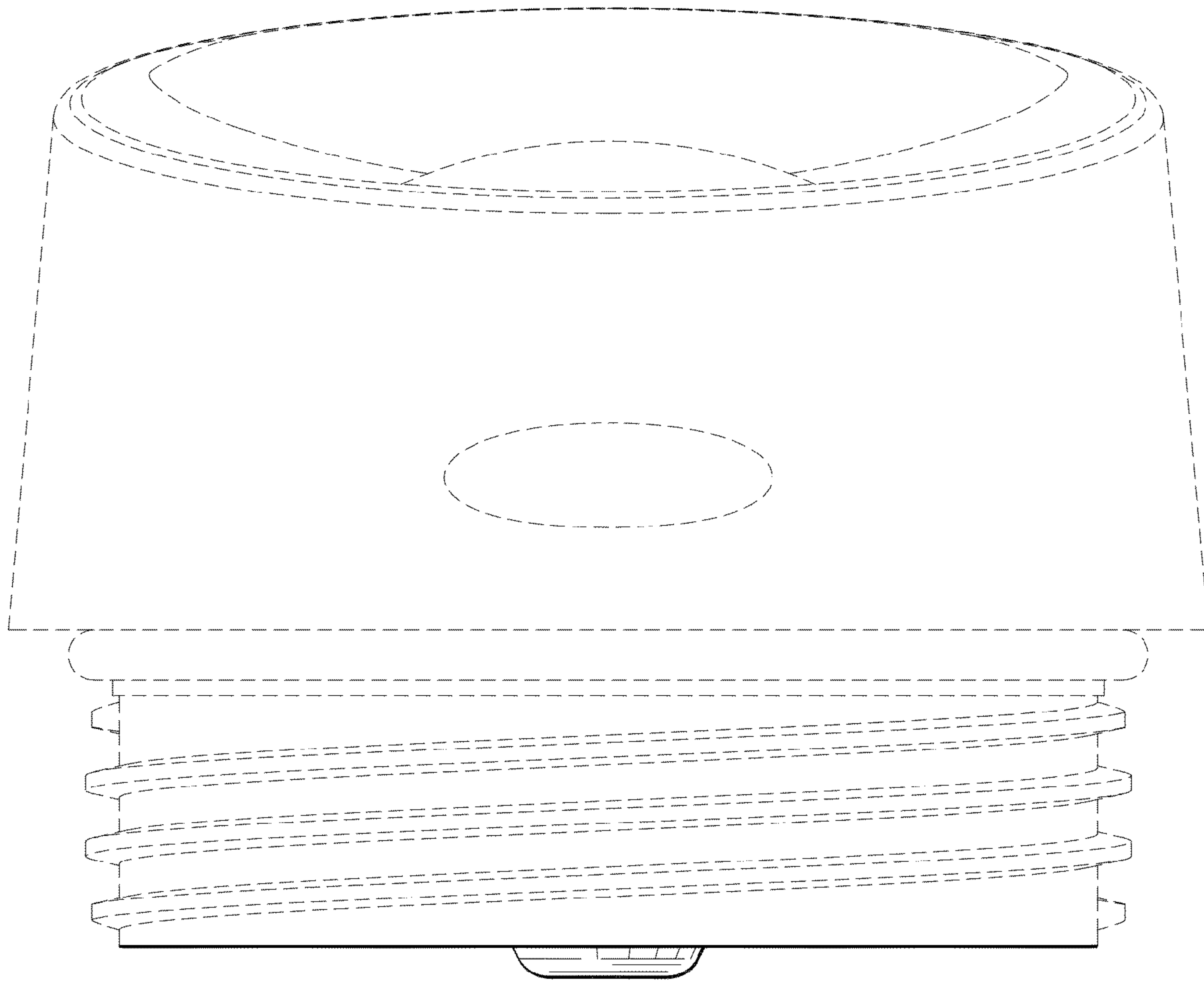


FIG. 4

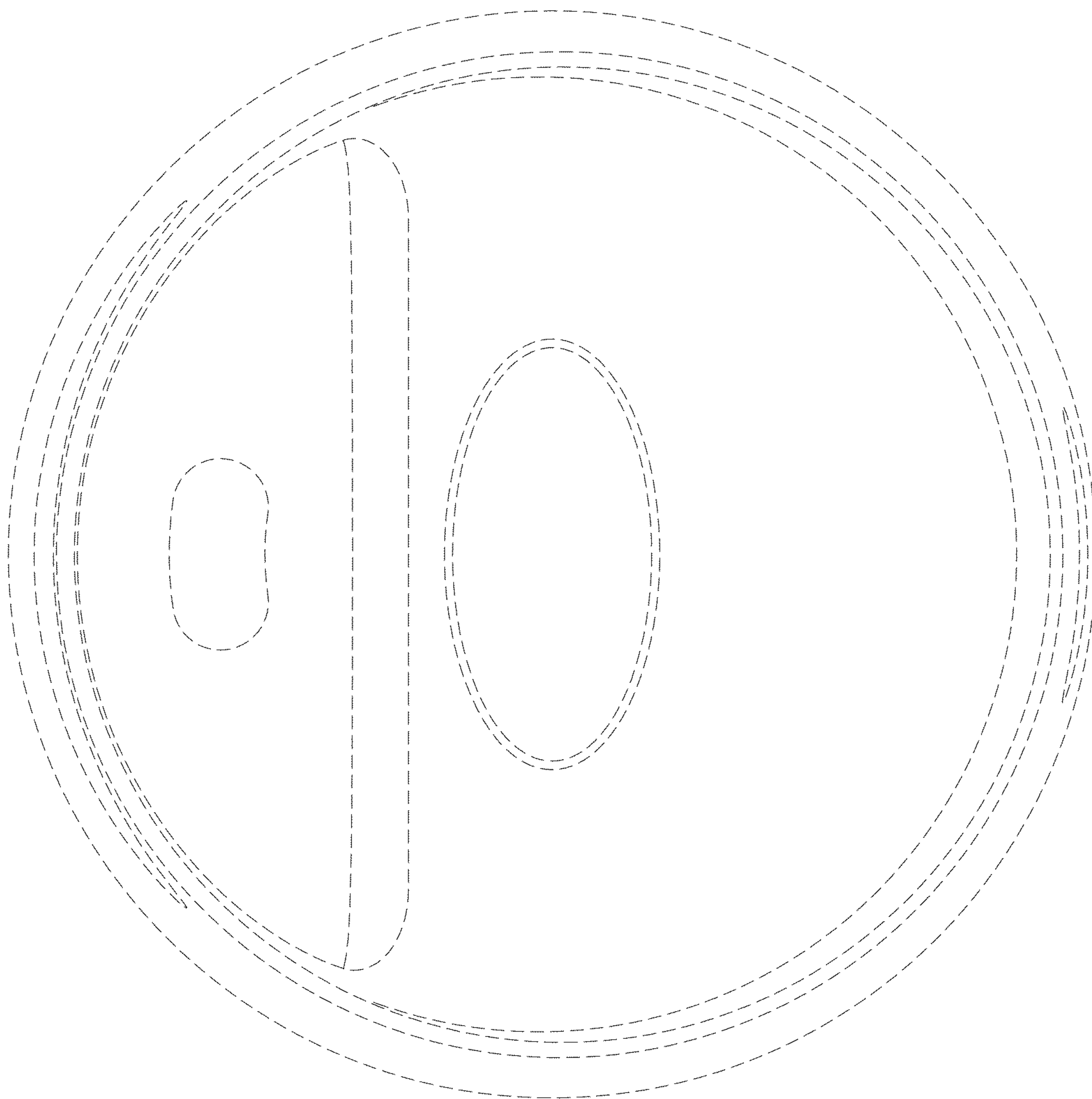


FIG. 5

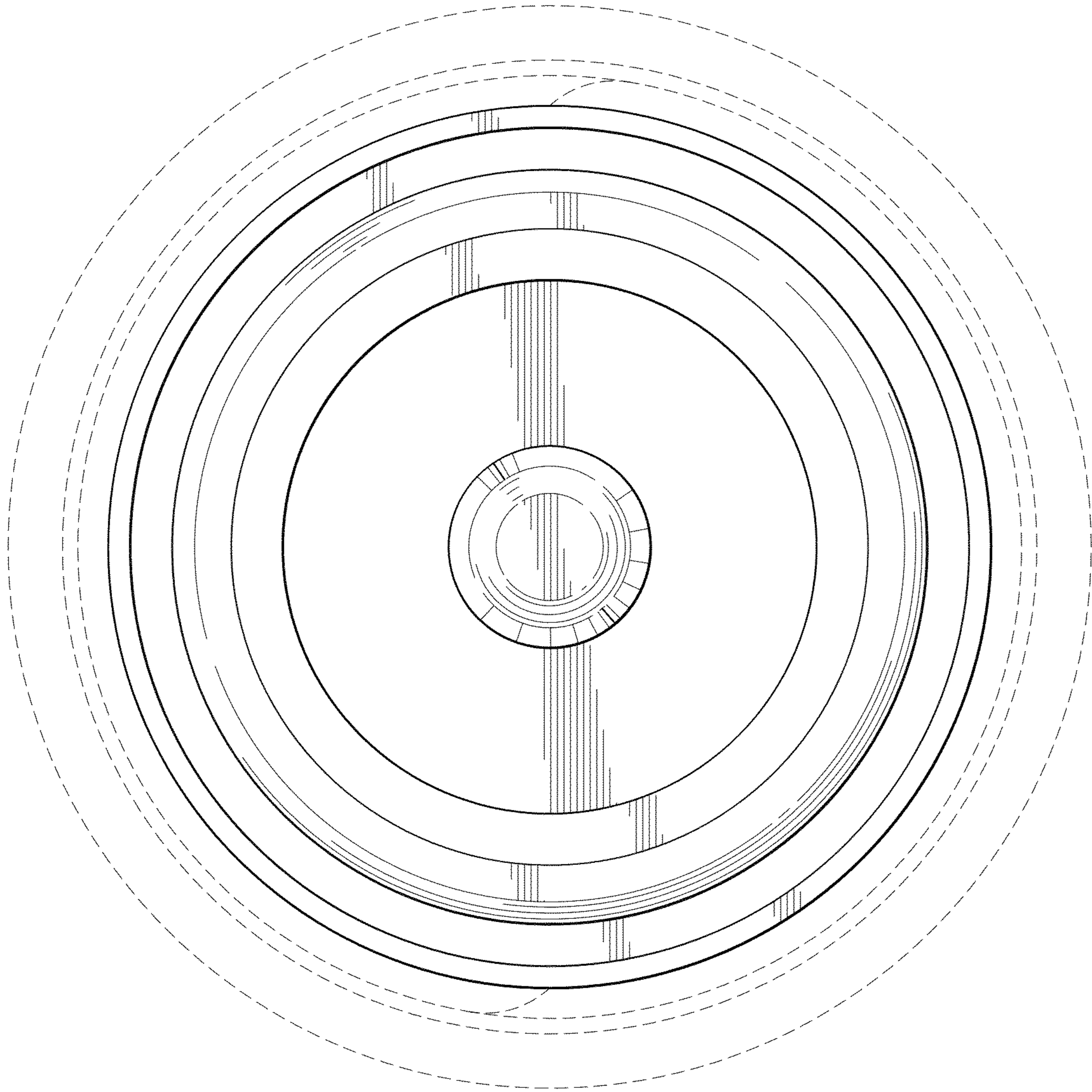


FIG. 6

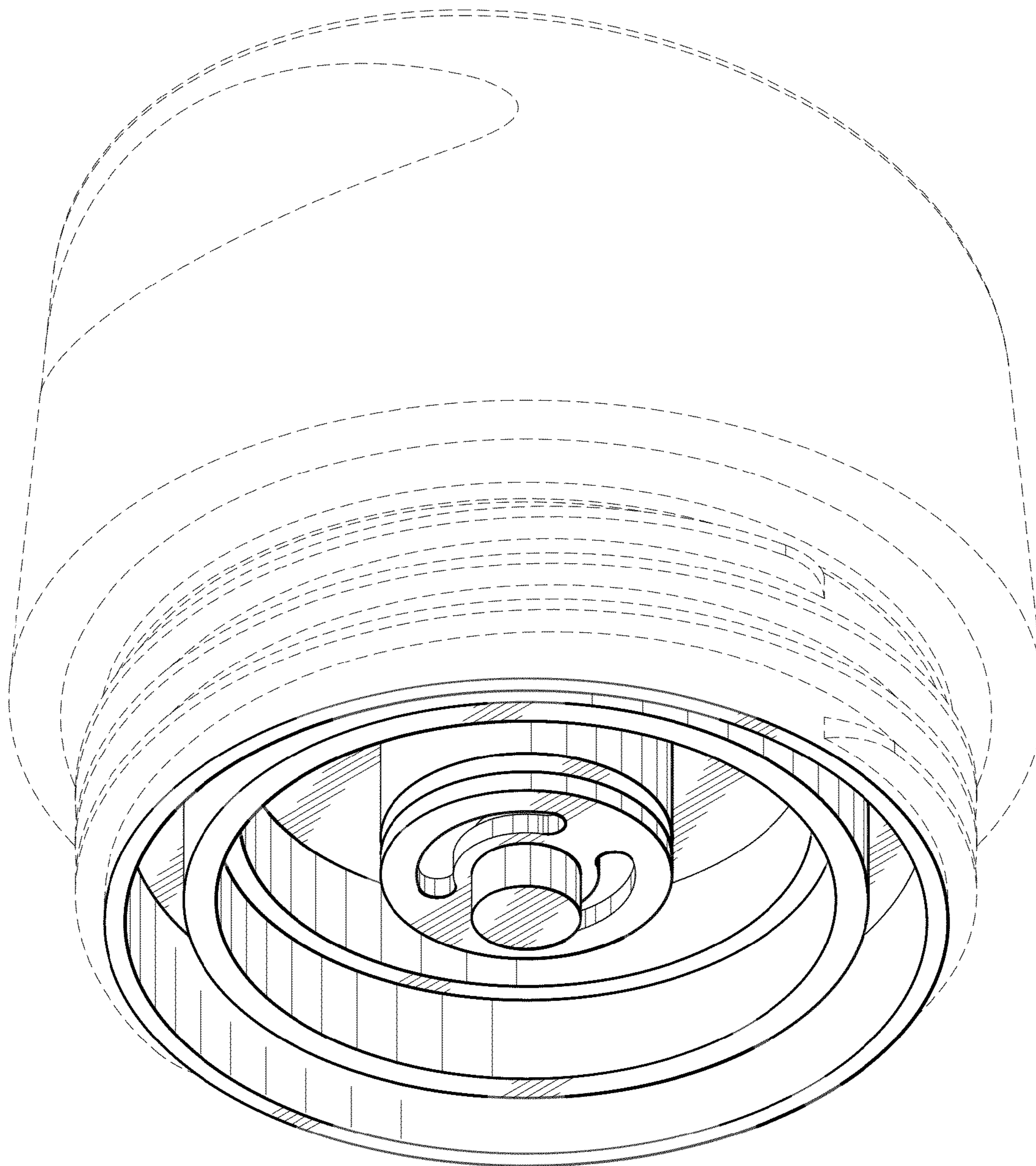


FIG. 7

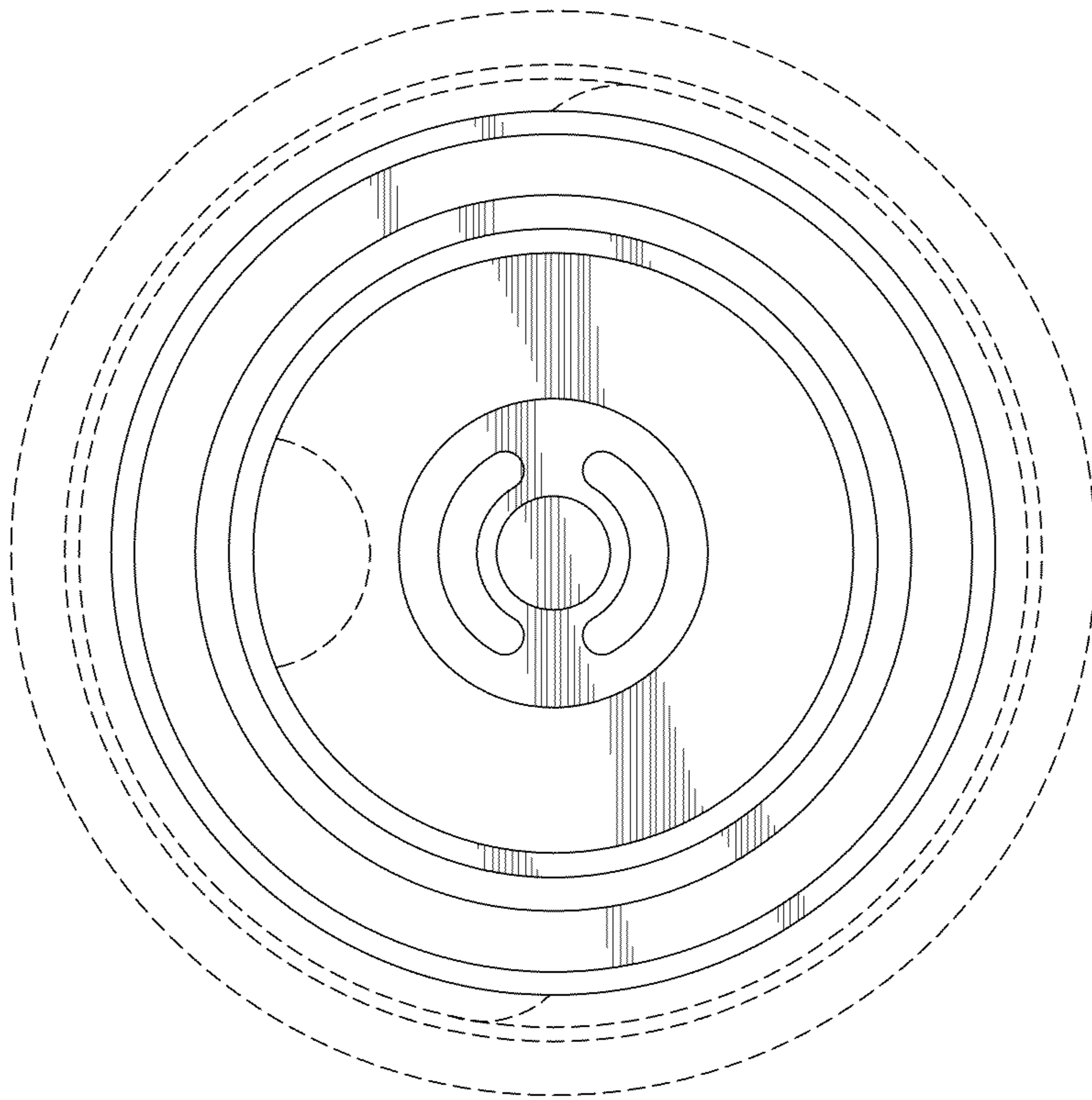


Fig. 8