



US00D712738S

(12) **United States Design Patent**
Clark

(10) **Patent No.:** **US D712,738 S**

(45) **Date of Patent:** **** Sep. 9, 2014**

(54) **INTEGRATED BOTTLE TOP APPARATUS ASSEMBLY**

(76) Inventor: **Brent Bunderson Clark**, Las Vegas, NV (US)

(**) Term: **14 Years**

(21) Appl. No.: **29/414,058**

(22) Filed: **Feb. 24, 2012**

(51) **LOC (10) Cl.** **09-07**

(52) **U.S. Cl.**
USPC **D9/435**

(58) **Field of Classification Search**

CPC B65D 85/72; B65D 33/16; B65D 15/00;
B65D 25/082; B65D 27/06; B65D 35/08;
B65D 35/44; B65D 37/00; B65D 39/0052;
B65D 41/005; B65D 43/06; B65D 47/241;
B65D 51/18; B65D 90/0006
USPC D7/312, 316, 318, 700; D9/349, 350,
D9/351, 367, 373, 374, 375, 376, 392, 403,
D9/404, 414, 434, 435, 436, 438, 439, 443,
D9/444, 445, 447, 451, 452, 453, 454, 499,
D9/523, 629, 705, 708, 709; D24/197,
D24/224; 206/338, 438, 494; 215/1 C, 40,
215/42, 44, 382; 220/8, 86.2, 253, 259.3,
220/288, 367.1, 460-462; 221/33, 46, 63;
222/525, 541.1, 541.9, 556, 566-571;
260/245.73; 428/43, 134; 239/196,
239/461, 590, 596

See application file for complete search history.

(56) **References Cited**

U.S. PATENT DOCUMENTS

1,301,847 A 4/1919 Hoffman
1,771,034 A * 7/1930 Fabrice 215/256
3,124,282 A * 3/1964 Winstead 222/569
3,397,824 A * 8/1968 Ganung et al. 222/570
3,552,607 A * 1/1971 Edwards et al. 222/566

D230,013 S * 1/1974 Emerson D9/434
D282,634 S * 2/1986 Beaver et al. D9/523
D282,635 S * 2/1986 Beaver et al. D9/523
D287,570 S * 1/1987 Olsen D24/224
D292,968 S * 12/1987 Darr D9/520
D296,765 S * 7/1988 Urion D9/434
4,877,142 A * 10/1989 Doering 215/382
D307,548 S * 5/1990 Cochran D9/523
D395,603 S * 6/1998 Harris D9/447
6,332,550 B1 * 12/2001 Bennett et al. 215/256
D456,715 S * 5/2002 Reidenbach D9/523
6,631,832 B2 * 10/2003 Wan et al. 222/525
6,789,497 B1 * 9/2004 Aiken 116/308
RE39,867 E * 10/2007 Bennett et al. 215/256
RE40,003 E * 1/2008 Bennett et al. 215/256
D561,591 S * 2/2008 Feen D9/522
D591,595 S 5/2009 Tedford, Jr.
D605,048 S * 12/2009 Smith, III D9/523
2004/0256421 A1 12/2004 Werth
2005/0077322 A1 * 4/2005 Graybill 222/461
2005/0218166 A1 * 10/2005 Mehan 222/568

(Continued)

Primary Examiner — Susan Bennett Hattan

Assistant Examiner — Leanne Was

(74) *Attorney, Agent, or Firm* — Ash Tankha; Lipton, Weinberger & Husick

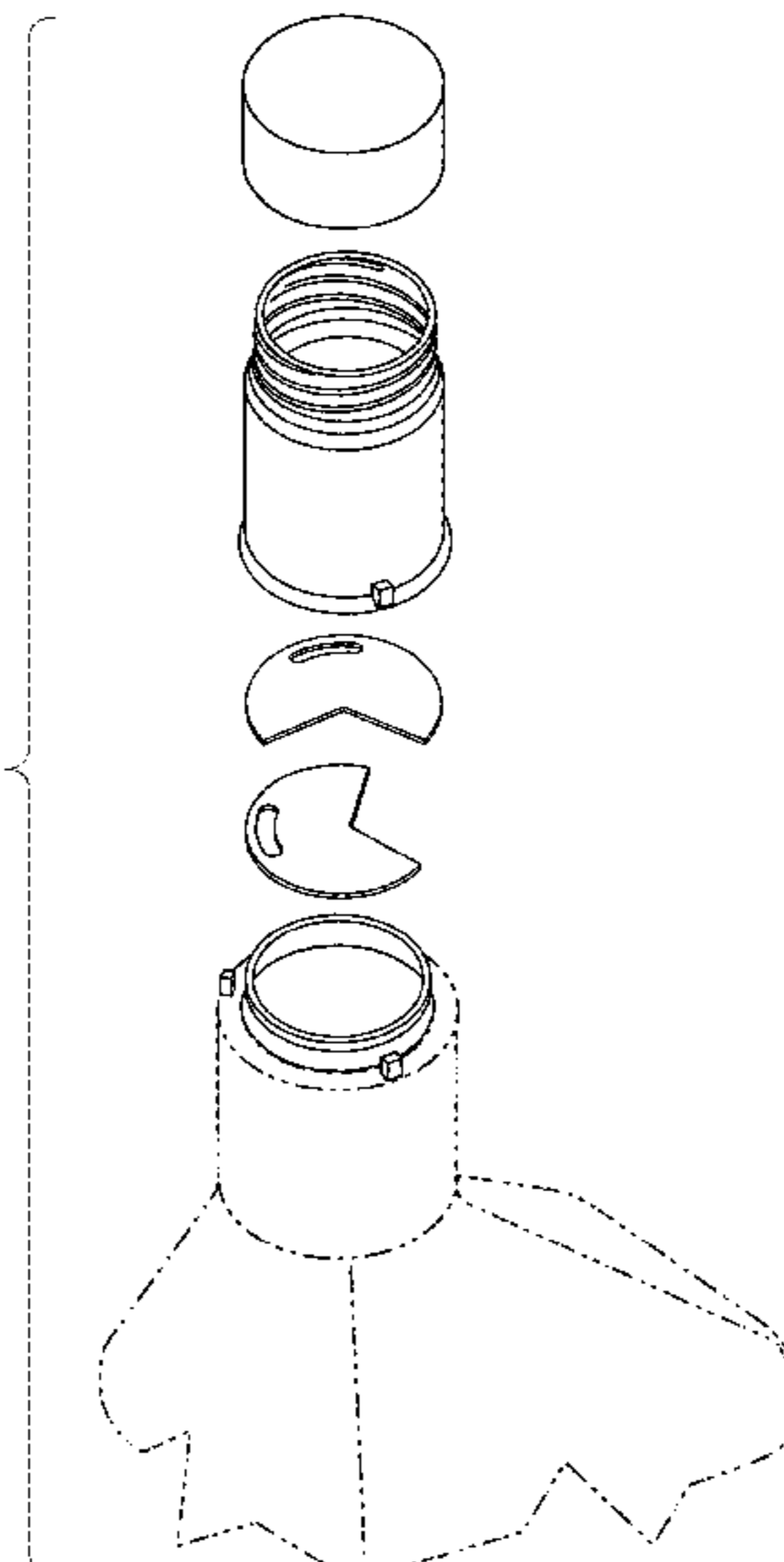
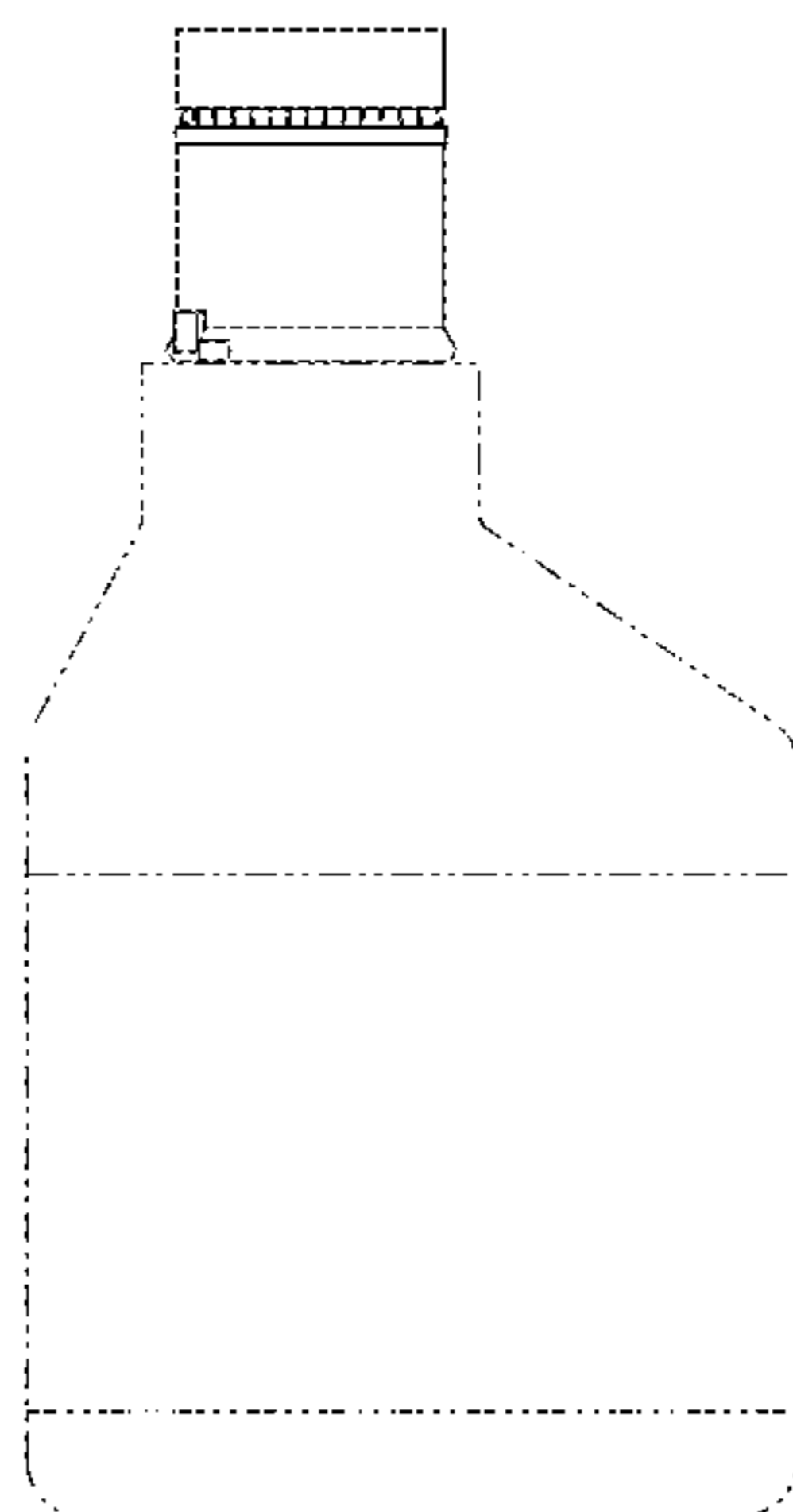
(57) **CLAIM**

The ornamental design for a integrated bottle top apparatus assembly, as shown and described.

DESCRIPTION

FIG. 1 is an elevation view of an integrated bottle top apparatus assembly;
FIG. 2 is a top perspective view thereof;
FIG. 3 is an enlarged top perspective view thereof;
FIG. 4 is a right side exploded view thereof; and,
FIG. 5 is a right side orthogonal exploded view thereof.
The broken lines in the drawing depict environmental subject matter only and form no part of the claimed design.

1 Claim, 5 Drawing Sheets



(56)

References Cited

U.S. PATENT DOCUMENTS

2006/0049286	A1 *	3/2006	Oomura et al.	239/596	2008/0277503	A1	11/2008	Griffin	
2006/0096983	A1	5/2006	Patterson		2009/0020568	A1 *	1/2009	Laidler et al.	222/635
2006/0163251	A1	7/2006	Kelstrom et al.		2009/0236301	A1 *	9/2009	Yang	215/40
					2011/0147421	A1 *	6/2011	Bonet Pedrol	222/566

* cited by examiner

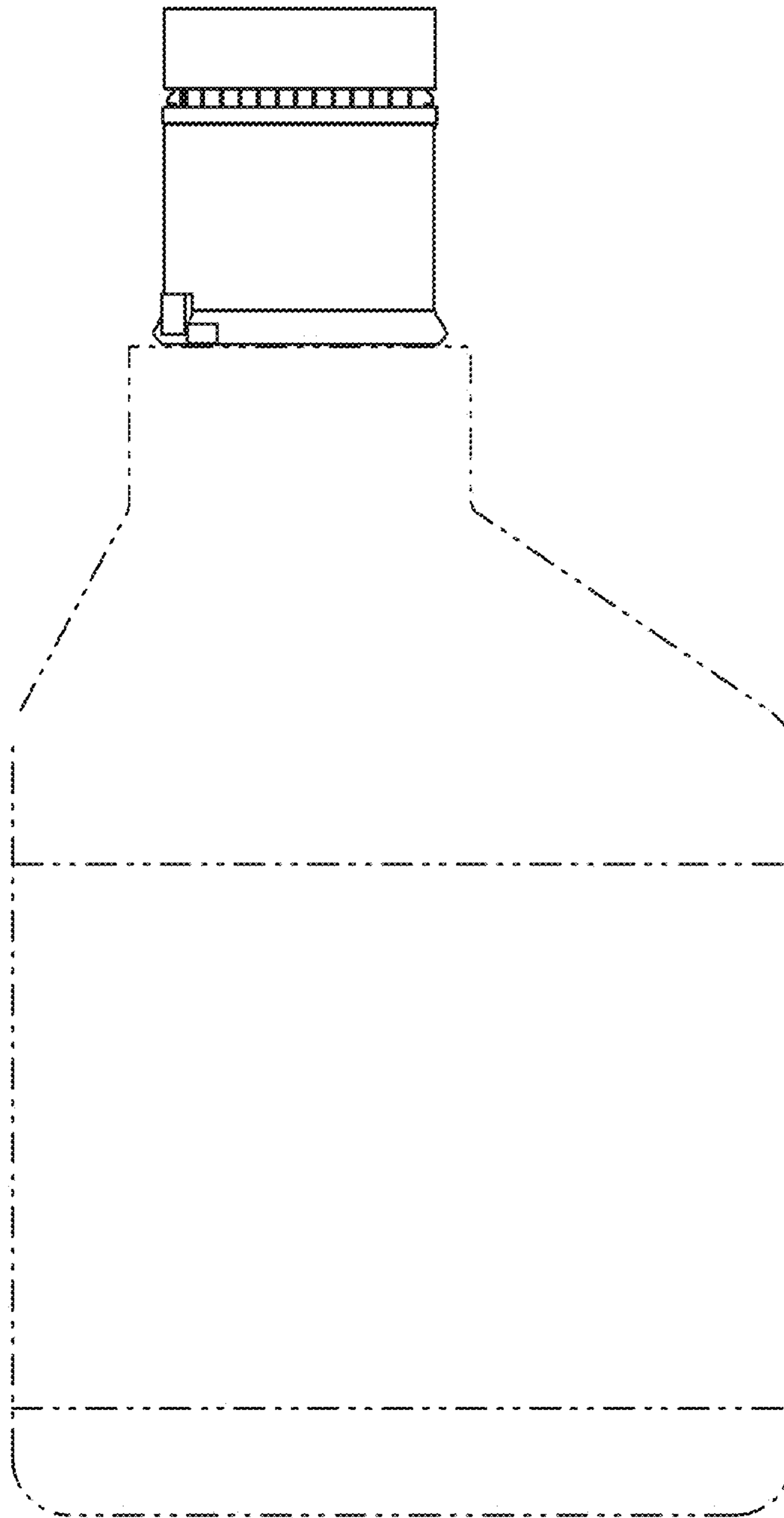


FIG. 1

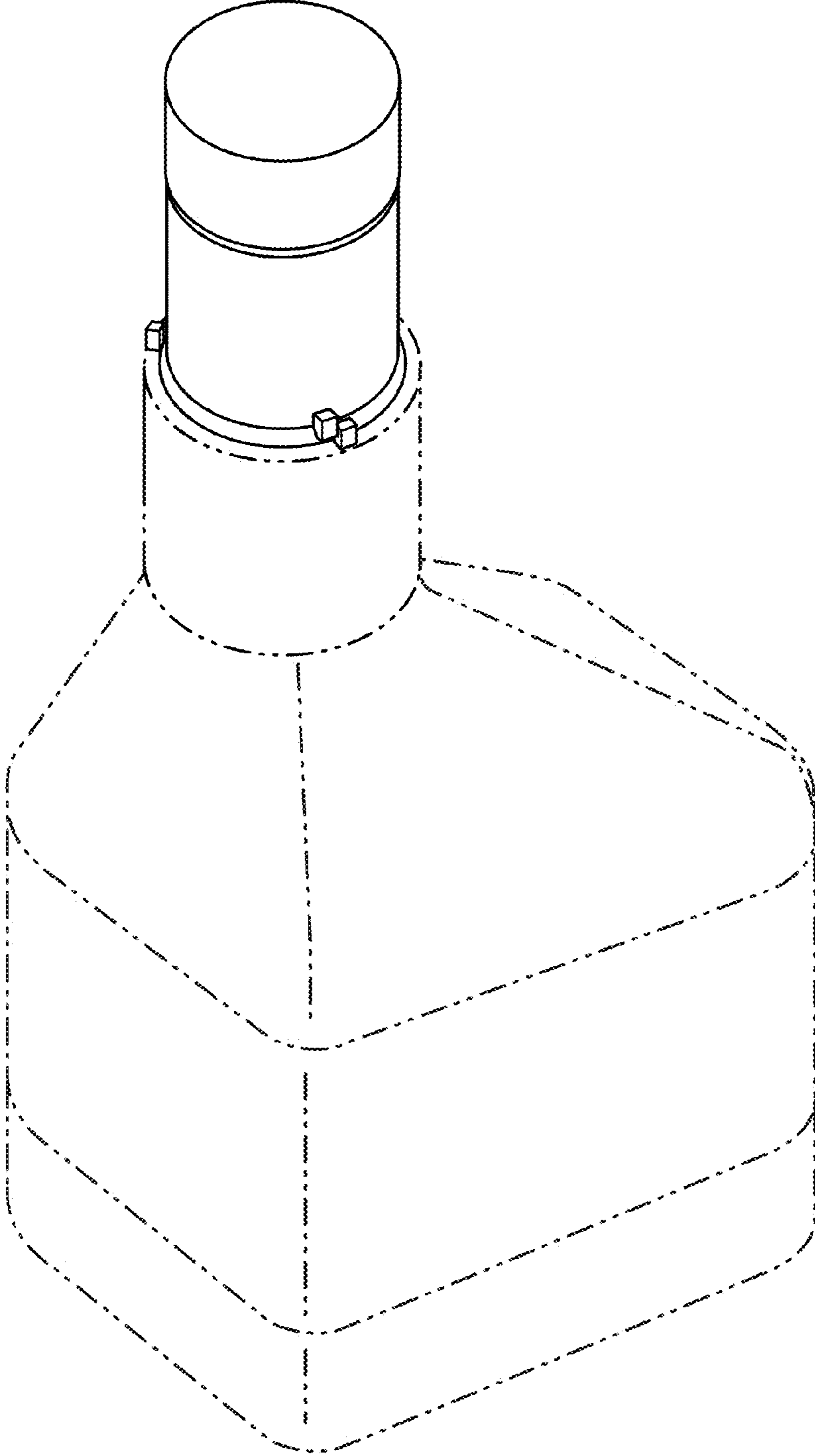


FIG.2

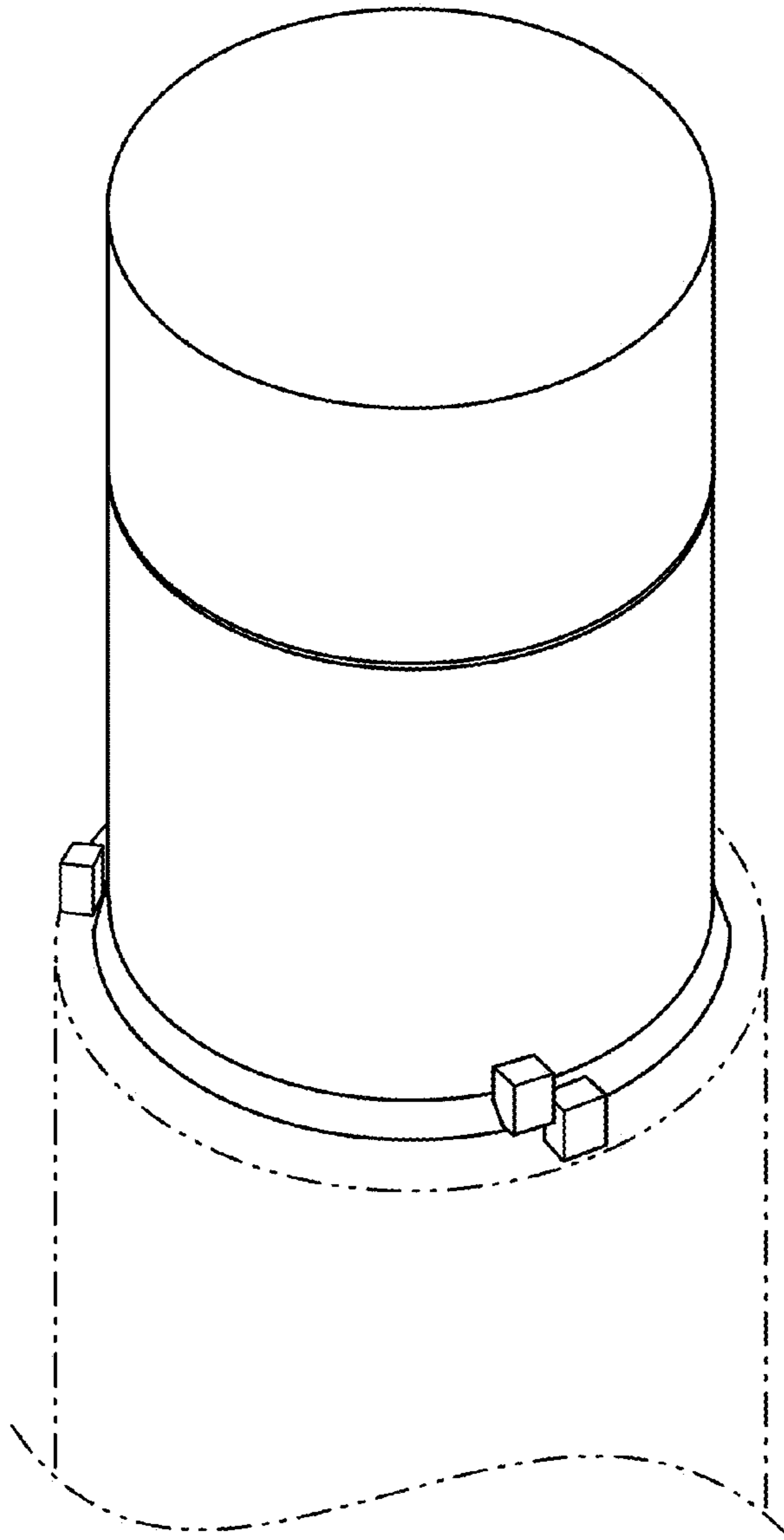


FIG. 3

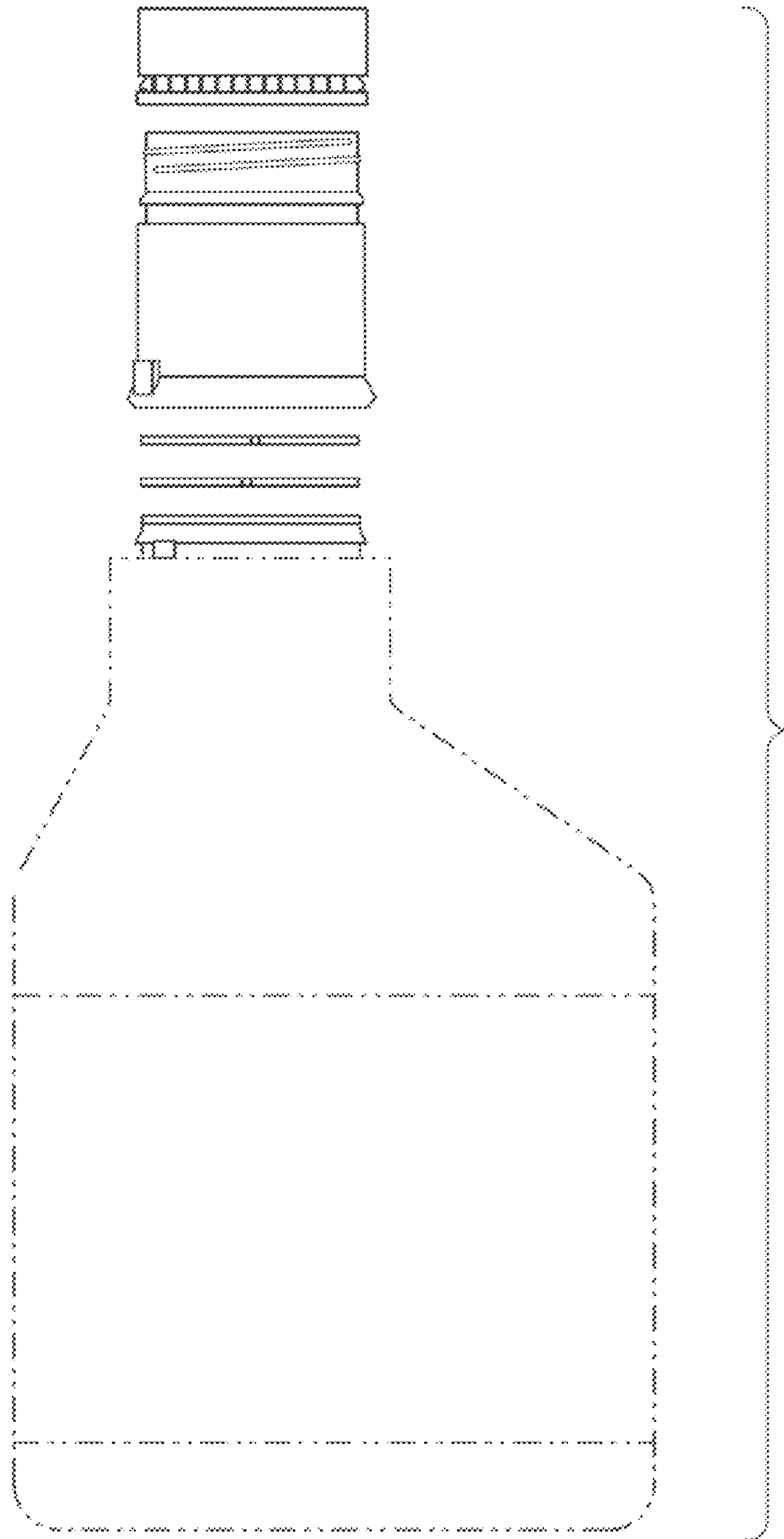


FIG. 4

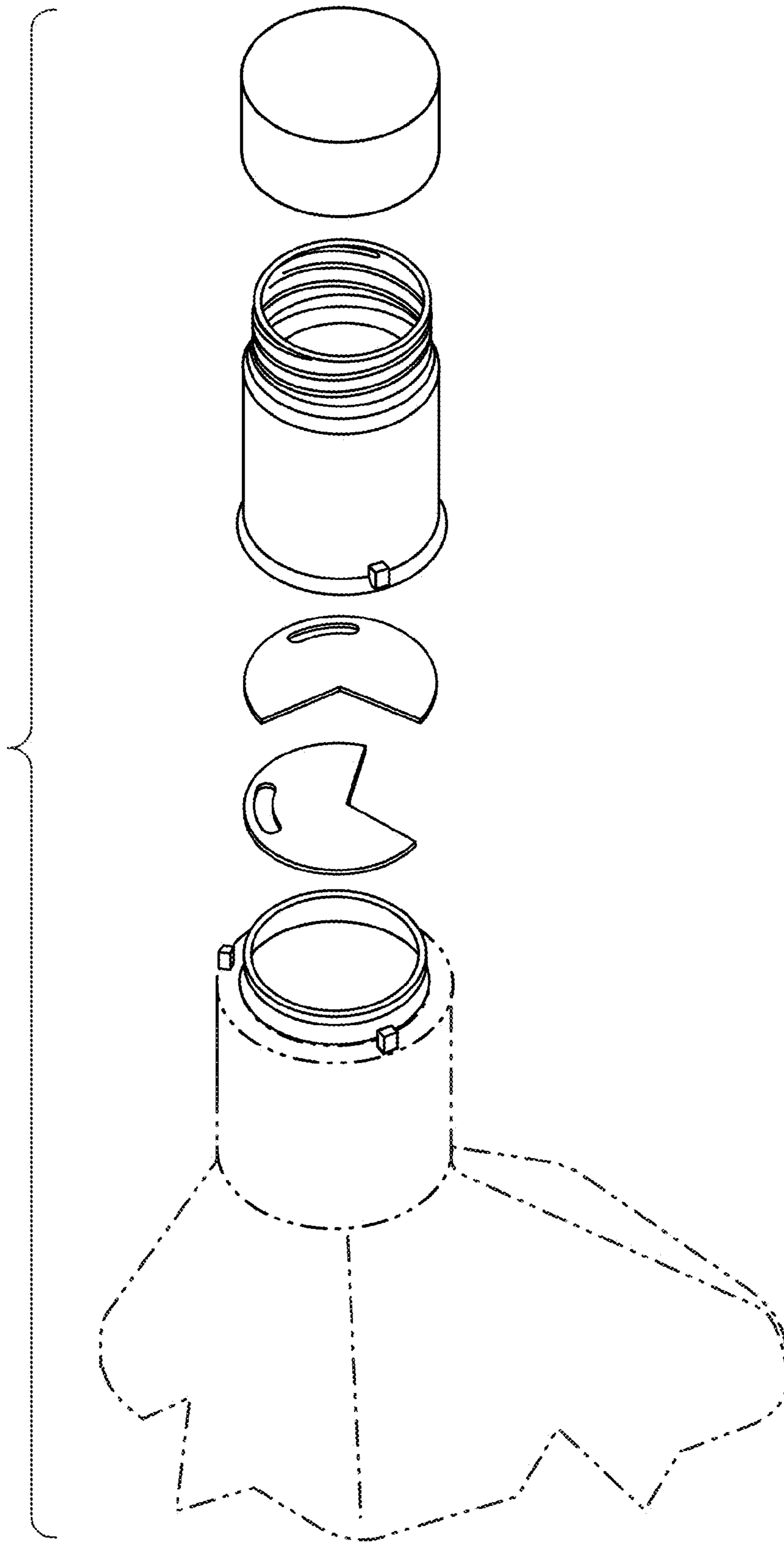


FIG. 5