



US00D712735S

(12) **United States Design Patent**
McCracken et al.

(10) **Patent No.:** **US D712,735 S**
(45) **Date of Patent:** **** Sep. 9, 2014**

(54) **HOURGLASS-SHAPED CARTON WITH
RECLOSABLE HEADER**

(56) **References Cited**

U.S. PATENT DOCUMENTS

(71) Applicant: **Illinois Tool Works Inc.**, Glenview, IL
(US)

D303,500	S	*	9/1989	Colla	D9/414
D365,022	S	*	12/1995	Wada	D9/415
D425,410	S	*	5/2000	Berman	D9/710
D433,625	S	*	11/2000	Berman	D9/710
D451,794	S	*	12/2001	Ichikawa	D9/709
D473,462	S	*	4/2003	Green et al.	D9/430
D486,731	S	*	2/2004	Meeker et al.	D9/416
D523,743	S	*	6/2006	Solowiejko et al.	D9/417
D581,262	S	*	11/2008	Suyama et al.	D9/415
D582,263	S	*	12/2008	Smith et al.	D9/414
D624,817	S	*	10/2010	Fisher et al.	D9/432
D634,646	S	*	3/2011	Belko et al.	D9/709
D670,941	S	*	11/2012	Vernon	D6/502
1,376,171	A1		2/2013	Kozarsky et al.		
2,945,053	A1		3/2013	Plourde et al.		
D700,064	S	*	2/2014	Berman	D9/707
D700,066	S	*	2/2014	Berman	D9/707
2011/0297680	A1		12/2011	Howell et al.		
2011/0301006	A1		12/2011	Howell et al.		
2012/0060449	A1		3/2012	Howell et al.		
2012/0187182	A1		7/2012	Howell et al.		

(72) Inventors: **Kenny E. McCracken**, Dacula, GA
(US); **Frank J. Kelly**, Glen Ellyn, IL
(US); **John A. Caporaso**, Moorestown,
NJ (US); **Stephen P. Belko**, Blackwood,
NJ (US); **Neil J. Kozarsky**, Mount
Laurel, NJ (US)

(73) Assignee: **Illinois Tool Works Inc.**, Glenview, IL
(US)

(**) Term: **14 Years**

(21) Appl. No.: **29/450,534**

(22) Filed: **Mar. 19, 2013**

(51) **LOC (10) Cl.** **09-03**

(52) **U.S. Cl.**
USPC **D9/430**

(58) **Field of Classification Search**
CPC B29L 2031/7162; B29L 2031/7164;
B29L 2031/7166; B65D 1/22; B65D 1/34;
B65D 5/00; B65D 5/002; B65D 5/0025;
B65D 5/067-5/069; B65D 5/20; B65D 5/24;
B65D 5/42; B65D 5/46; B65D 5/64; B65D
5/72; B65D 5/74; B65D 21/00; B65D 43/162;
B65D 81/02; B65D 81/3813; B65D 71/12;
B65D 71/40; B65D 71/46
USPC D9/415-419, 420-425, 428, 429-435,
D9/535, 536, 541-543, 560, 707-710, 719,
D9/734; D3/203.2, 272, 273, 294, 298,
D3/302-304; D7/538-542, 601, 602, 629

See application file for complete search history.

* cited by examiner

Primary Examiner — Susan Bennett Hattan

Assistant Examiner — Vy Koenig

(74) *Attorney, Agent, or Firm* — McCarter & English, LLP

(57) **CLAIM**

The ornamental design for the hourglass-shaped carton with reclosable header, as shown.

DESCRIPTION

FIG. 1 is a front perspective view thereof;

FIG. 2 is a front elevation view thereof;

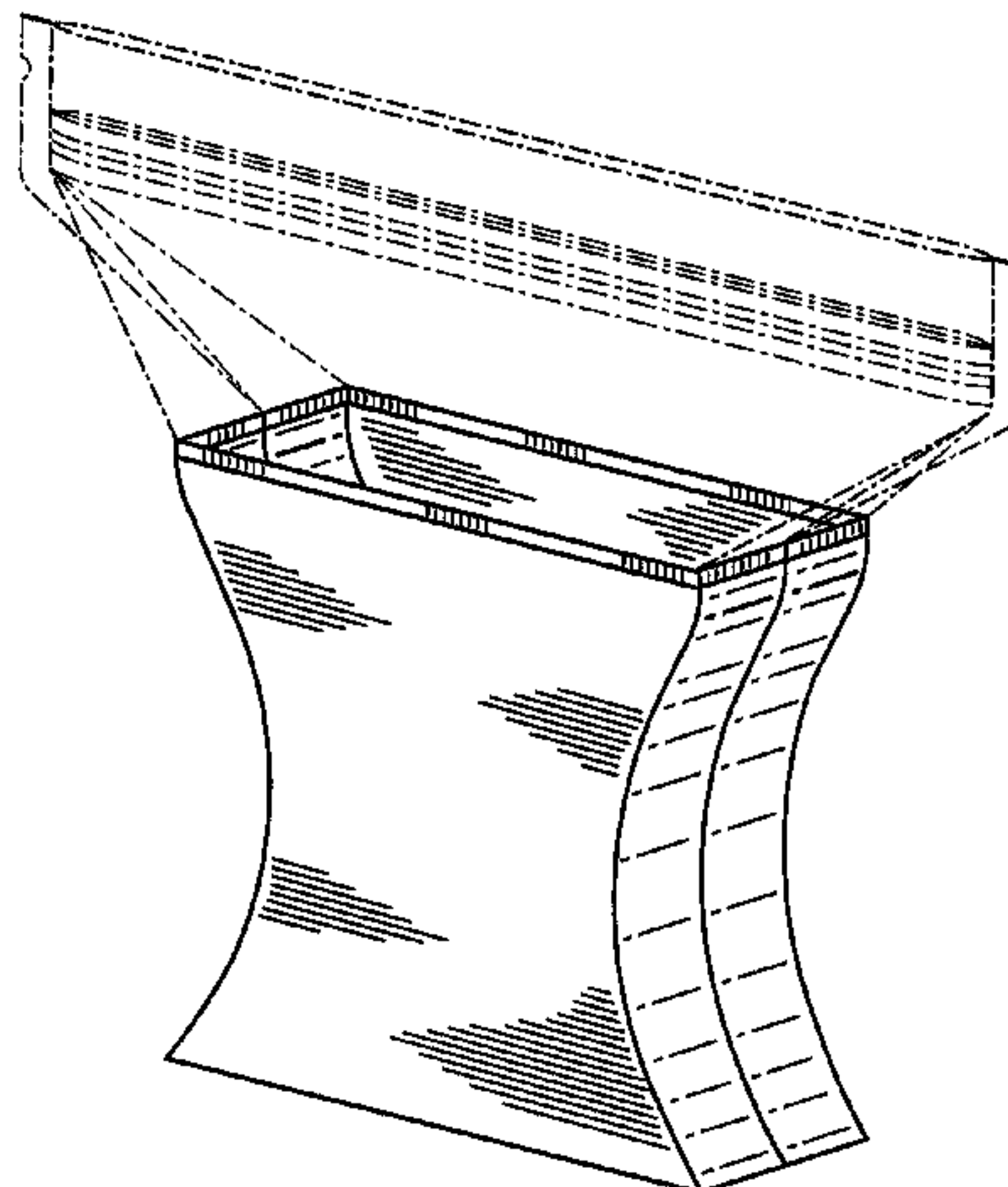
FIG. 3 is a side elevation view thereof;

FIG. 4 is a top plan view thereof; and,

FIG. 5 is a bottom plan view thereof.

The broken lines in the drawings depict environmental features and form no part of the claimed design.

1 Claim, 3 Drawing Sheets



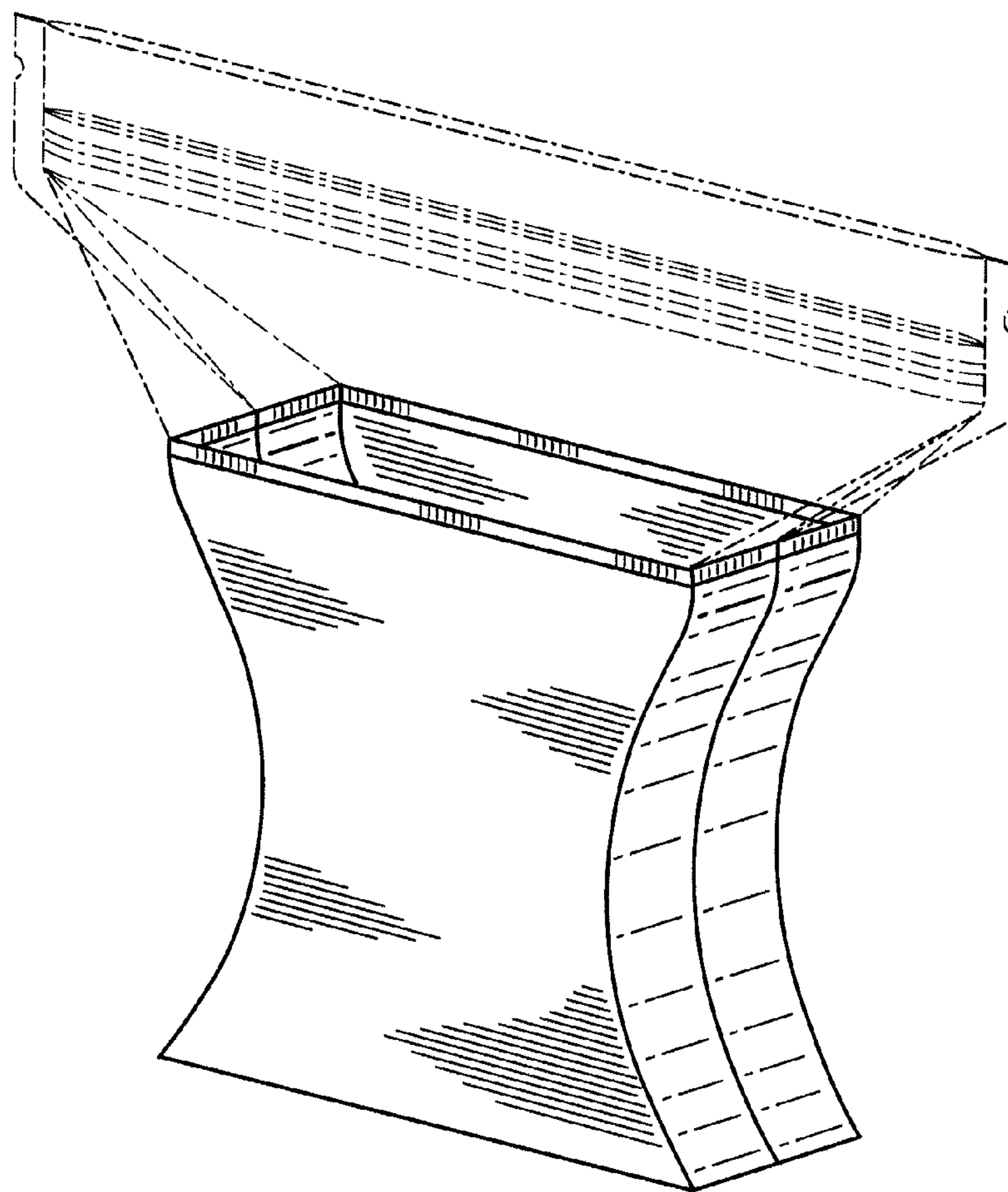


FIG. 1

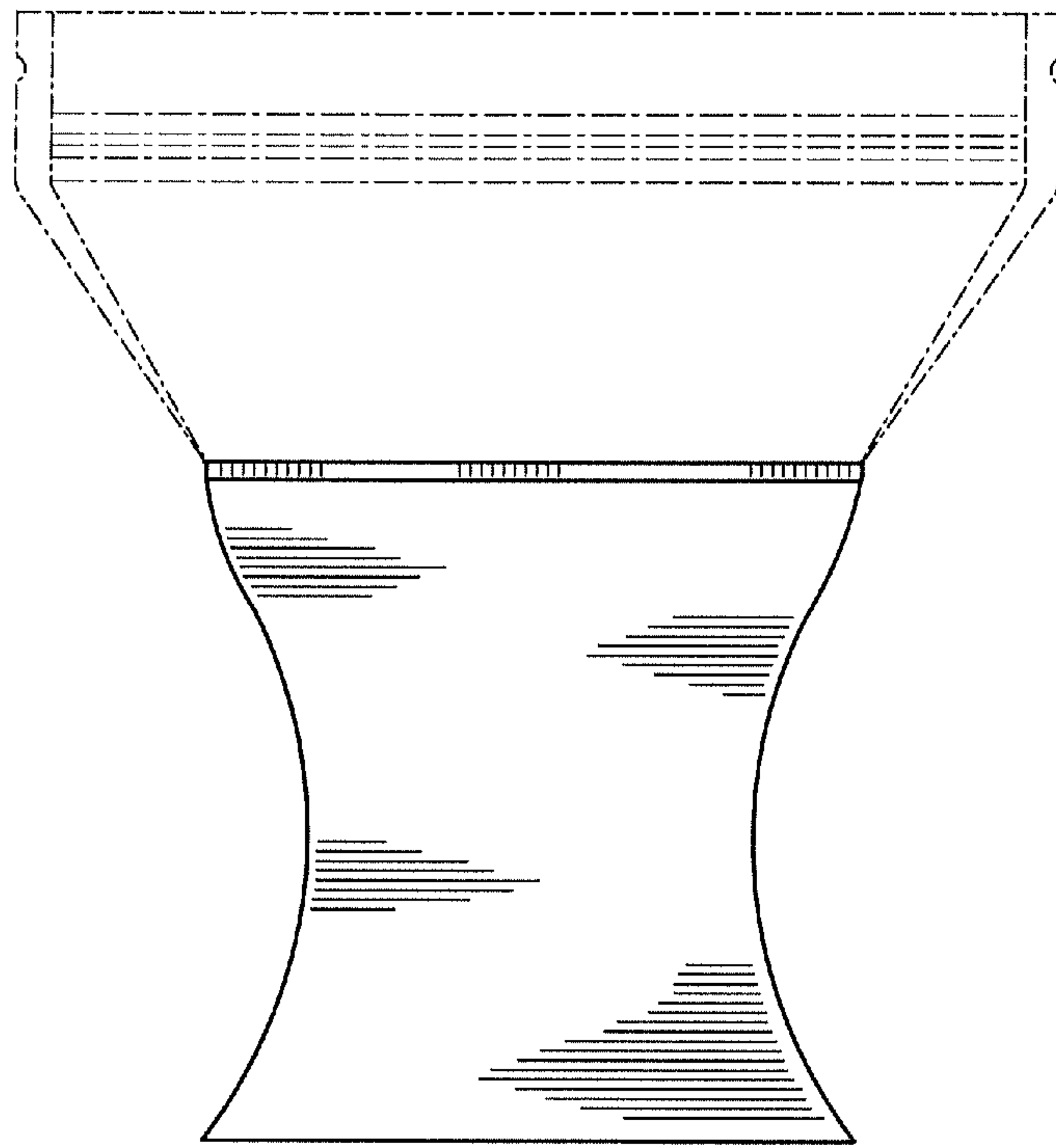


FIG. 2

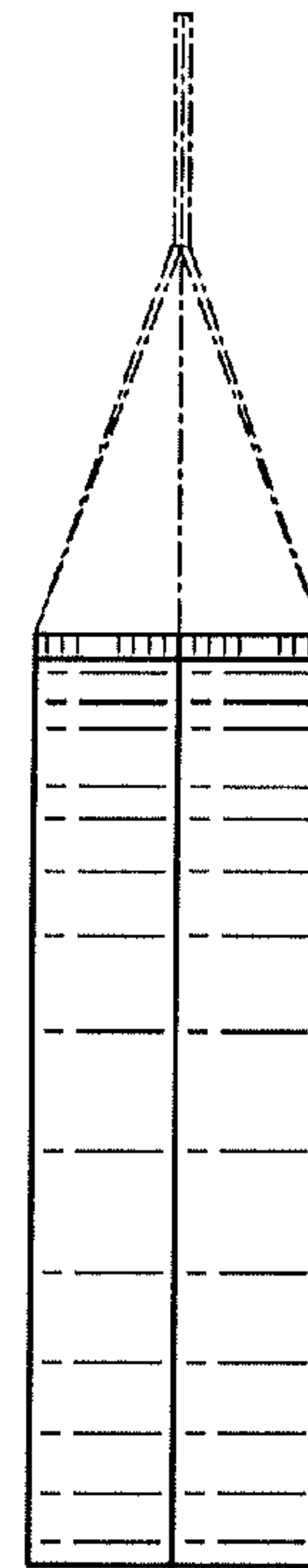


FIG. 3



FIG. 4

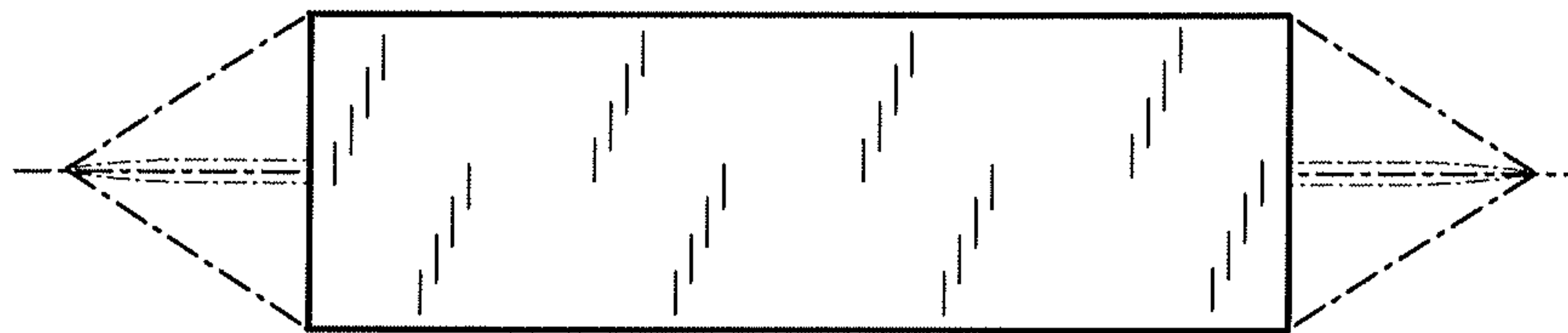


FIG. 5