



US00D712733S

(12) **United States Design Patent**
Thompson

(10) **Patent No.:** **US D712,733 S**

(45) **Date of Patent:** **** *Sep. 9, 2014**

(54) **OVAL HAT BOX**

(71) Applicant: **Willow Group, Ltd.**, Batavia, NY (US)

(72) Inventor: **Cheryl Thompson**, Orchard Park, NY (US)

(73) Assignee: **Willow Group Ltd.**, Batavia, NY (US)

(*) Notice: This patent is subject to a terminal disclaimer.

(**) Term: **14 Years**

(21) Appl. No.: **29/461,696**

(22) Filed: **Jul. 26, 2013**

(51) **LOC (10) Cl.** **09-03**

(52) **U.S. Cl.**
USPC **D9/414**

(58) **Field of Classification Search**
USPC D9/632, 504, 501, 435, 449, 454, 414,
D9/564, 772, 767, 716, 428, 424, 423, 418,
D9/431; 206/8, 278, 243; D11/131;
D7/691, 538; 229/117.23, 400, 939
See application file for complete search history.

(56) **References Cited**

U.S. PATENT DOCUMENTS

D421,903 S 3/2000 Craker
D588,453 S 3/2009 Glade

OTHER PUBLICATIONS

Peekaboo Mini Hat Box from the Peekaboo Collection . . . website (1 page) <http://www.goorin.com/peekaboo-mini-box>.

Mini Hat Box Assortment (Package of 48): Jewelry: Amazon.com (3 pages) <http://www.amazon.com/Mini-Hat-Box-Assortment-Pack-age/dp/B005UPS2QY>.

Primary Examiner — Ian Simmons

Assistant Examiner — Rhea Shields

(74) *Attorney, Agent, or Firm* — Brian B. Shaw, Esq.; Harter Secrest & Emery LLP

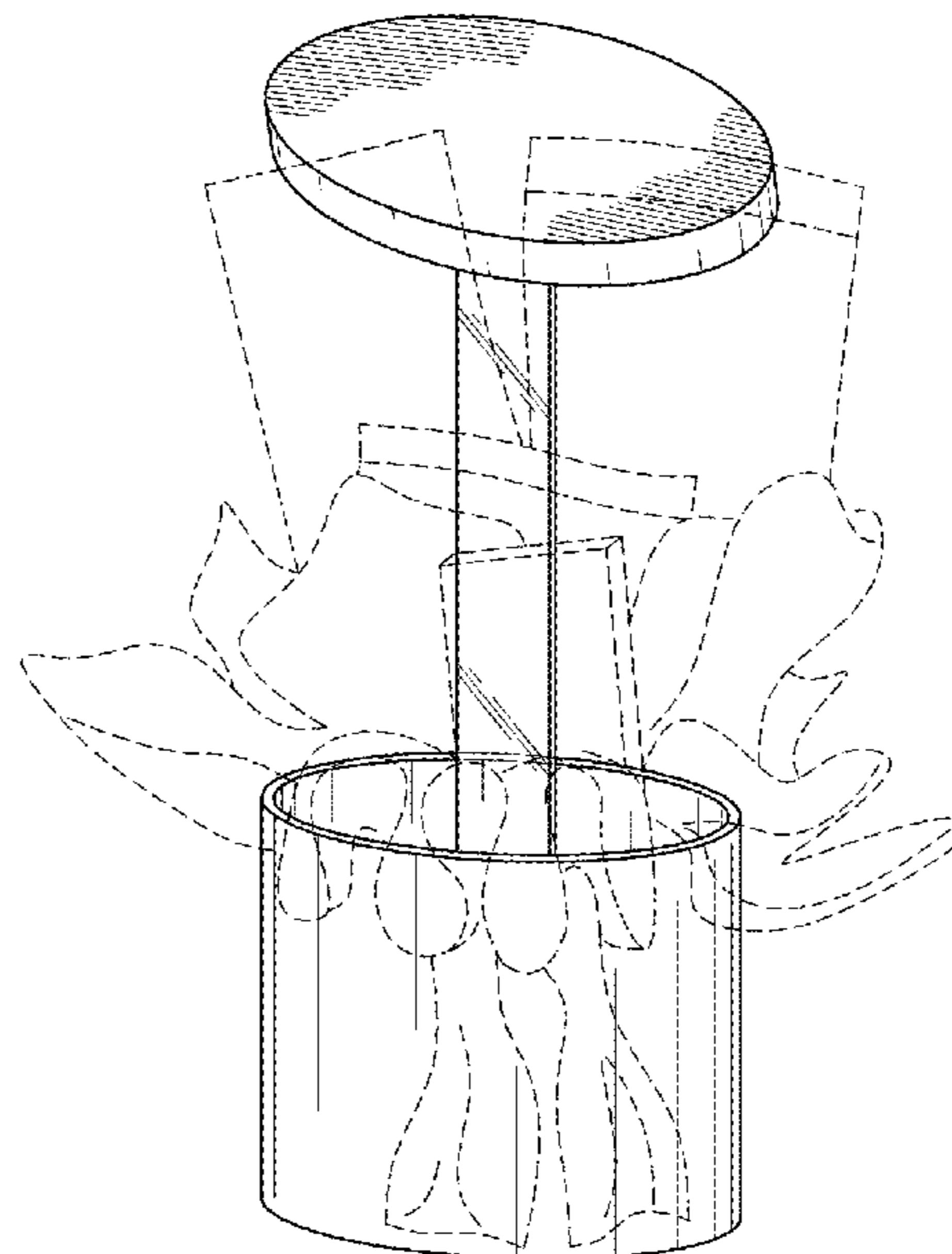
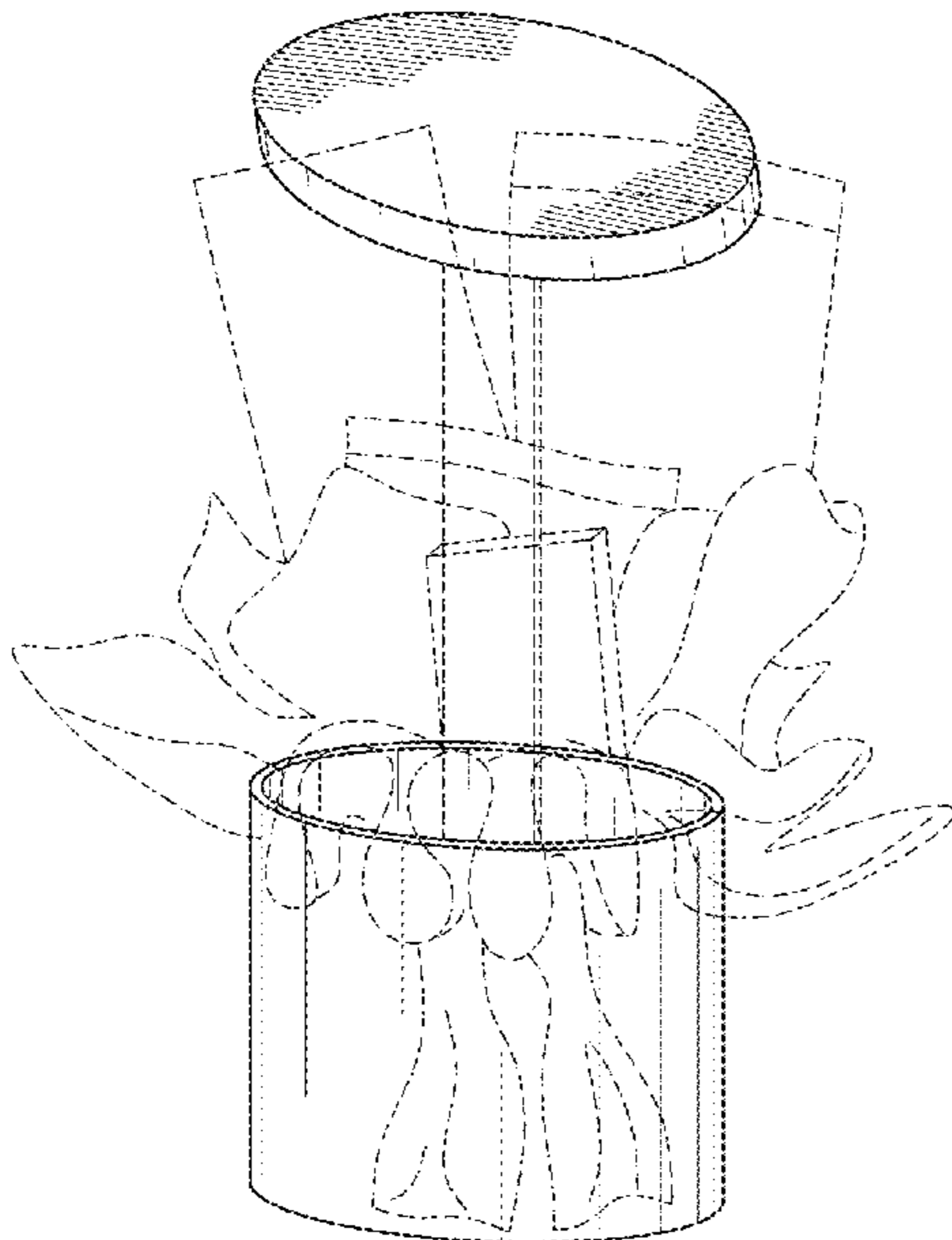
(57) **CLAIM**

The ornamental design for an oval hat box, as shown and described.

DESCRIPTION

FIG. 1 is a front perspective view of a first embodiment of an oval hat box showing my design;
FIG. 2 is a top view of the oval hat box shown in FIG. 1;
FIG. 3 is a bottom view of the oval hat box shown in FIG. 1;
FIG. 4 is a front elevation view of the oval hat box shown in FIG. 1;
FIG. 5 is a rear elevation view of the oval hat box shown in FIG. 1;
FIG. 6 is a right side elevation view of the oval hat box shown in FIG. 1, which is a mirror image of the left side elevation view;
FIG. 7 is a front perspective view of a second embodiment of an oval hat box showing my design;
FIG. 8 is a top view thereof;
FIG. 9 is a bottom view thereof;
FIG. 10 is a front elevational view thereof;
FIG. 11 is a rear elevational view thereof; and,
FIG. 12 is a right side elevation view thereof, which is a mirror image of the left side elevation view.
In the drawings, the broken lines depict environmental subject matter only and form no part of the claimed design.

1 Claim, 4 Drawing Sheets



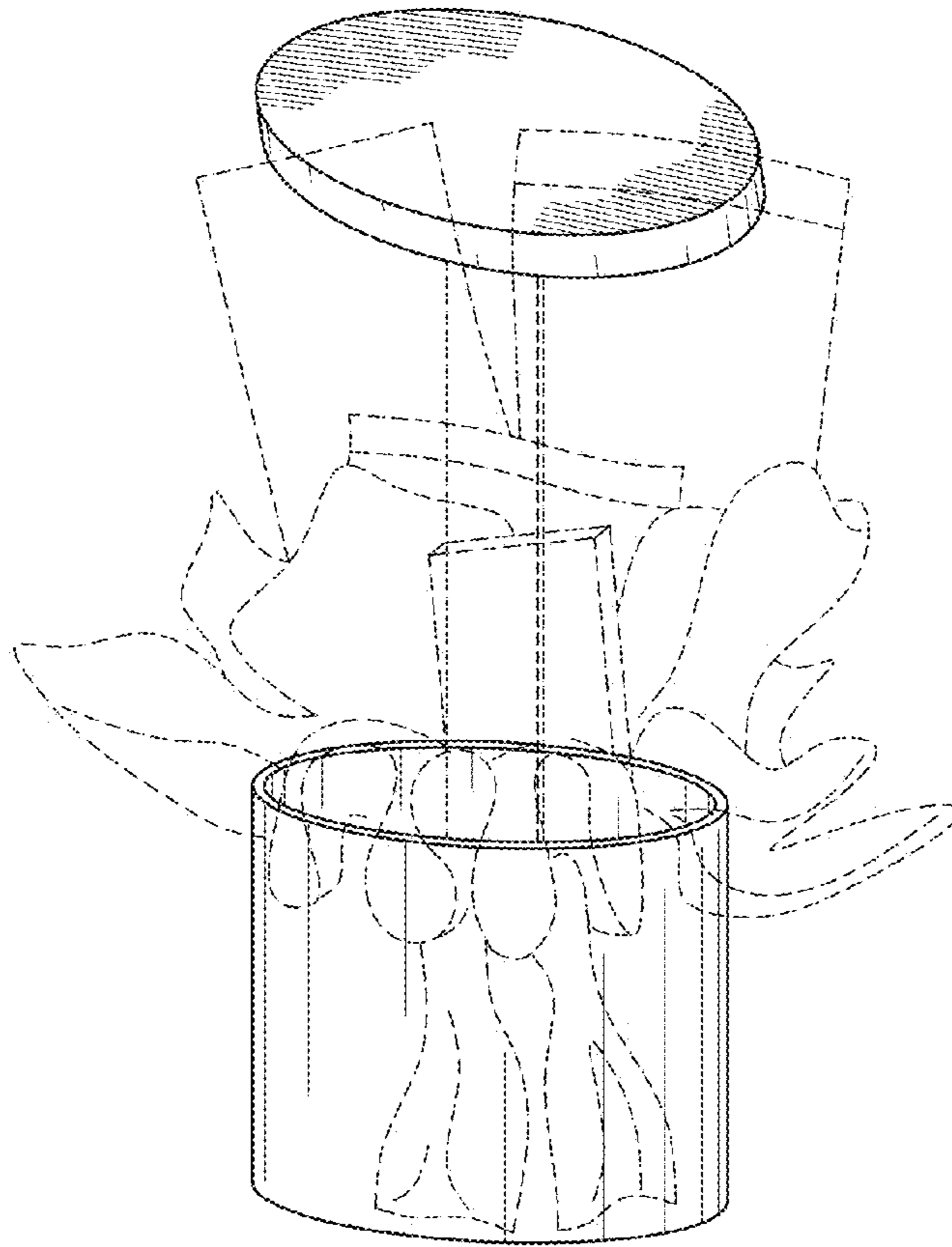


FIG. 1

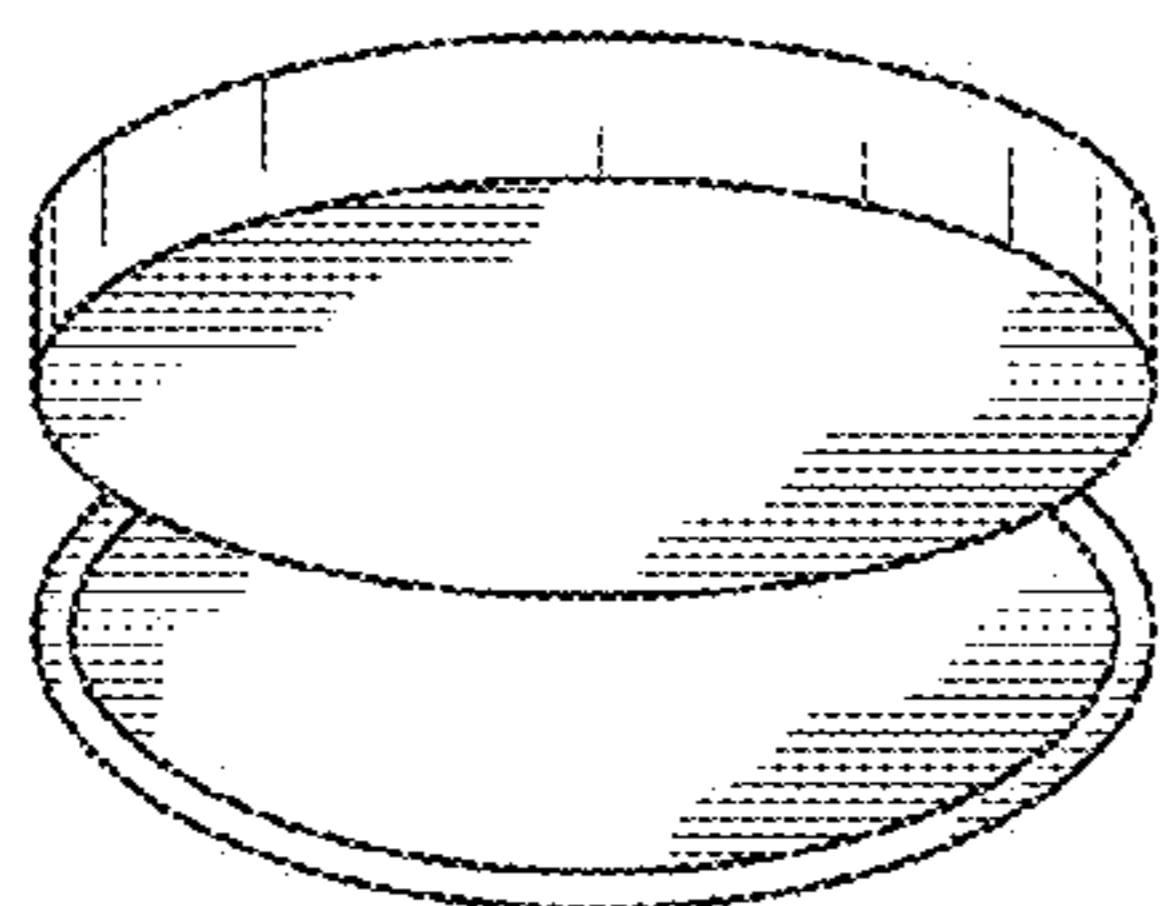


FIG. 2

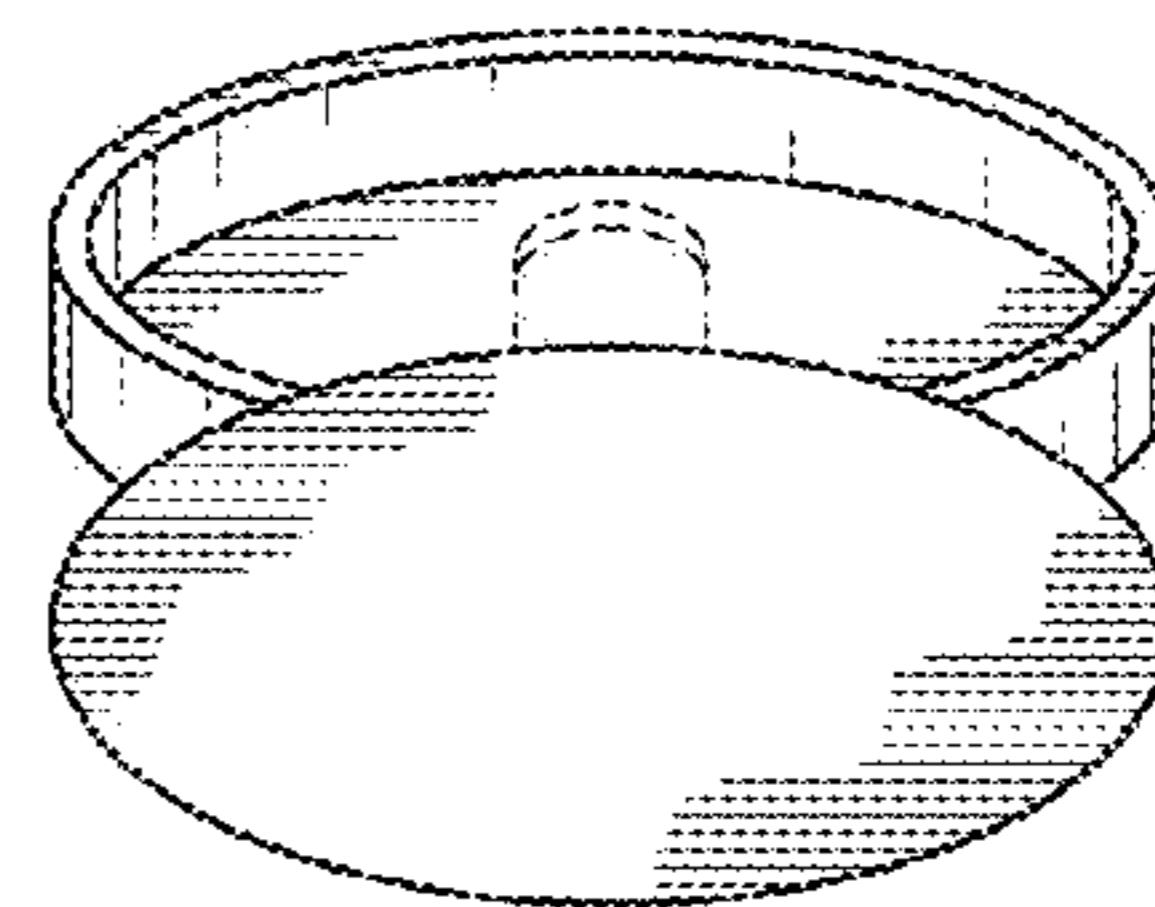


FIG. 3

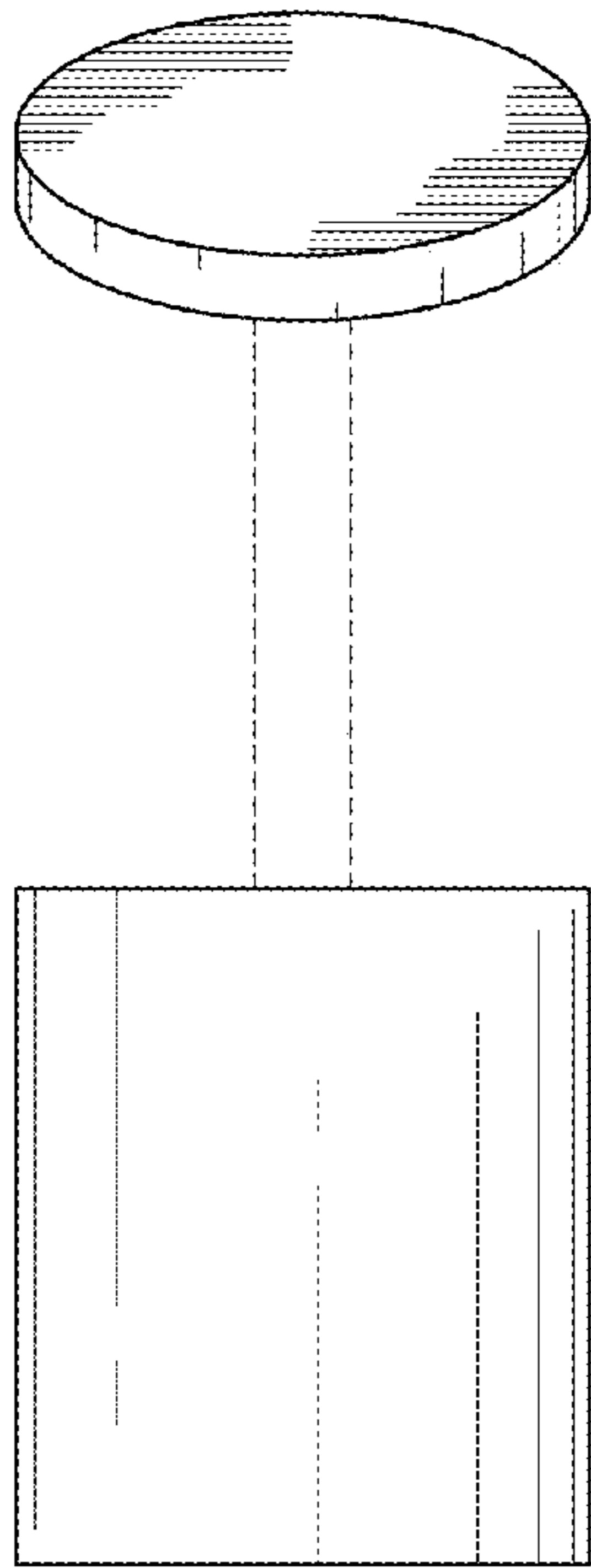


FIG. 4

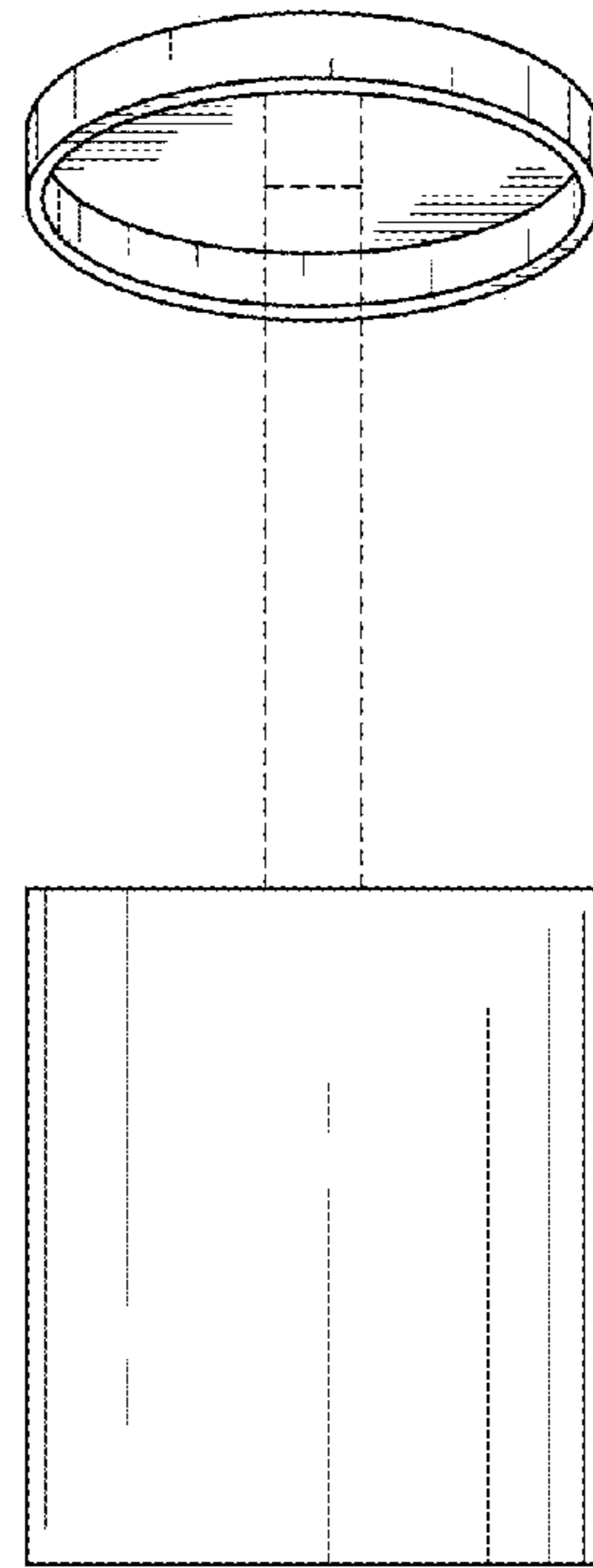


FIG. 5

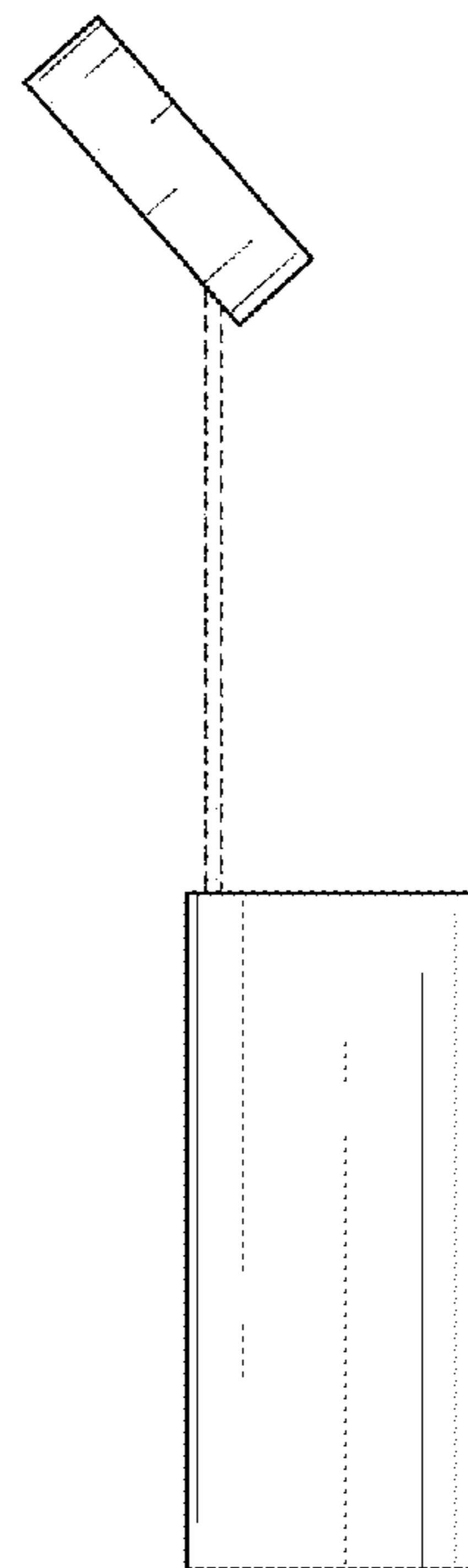


FIG. 6

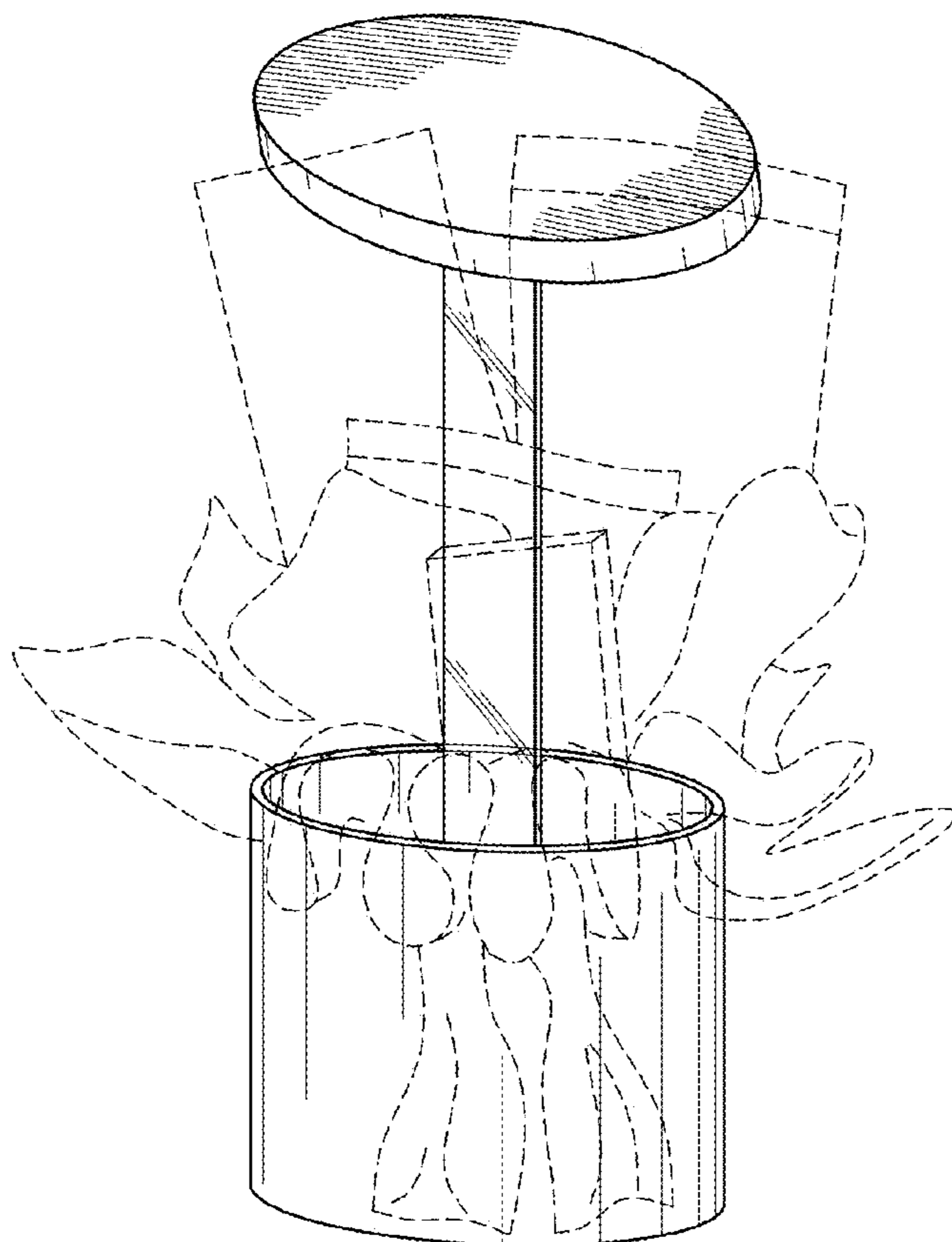


FIG. 7

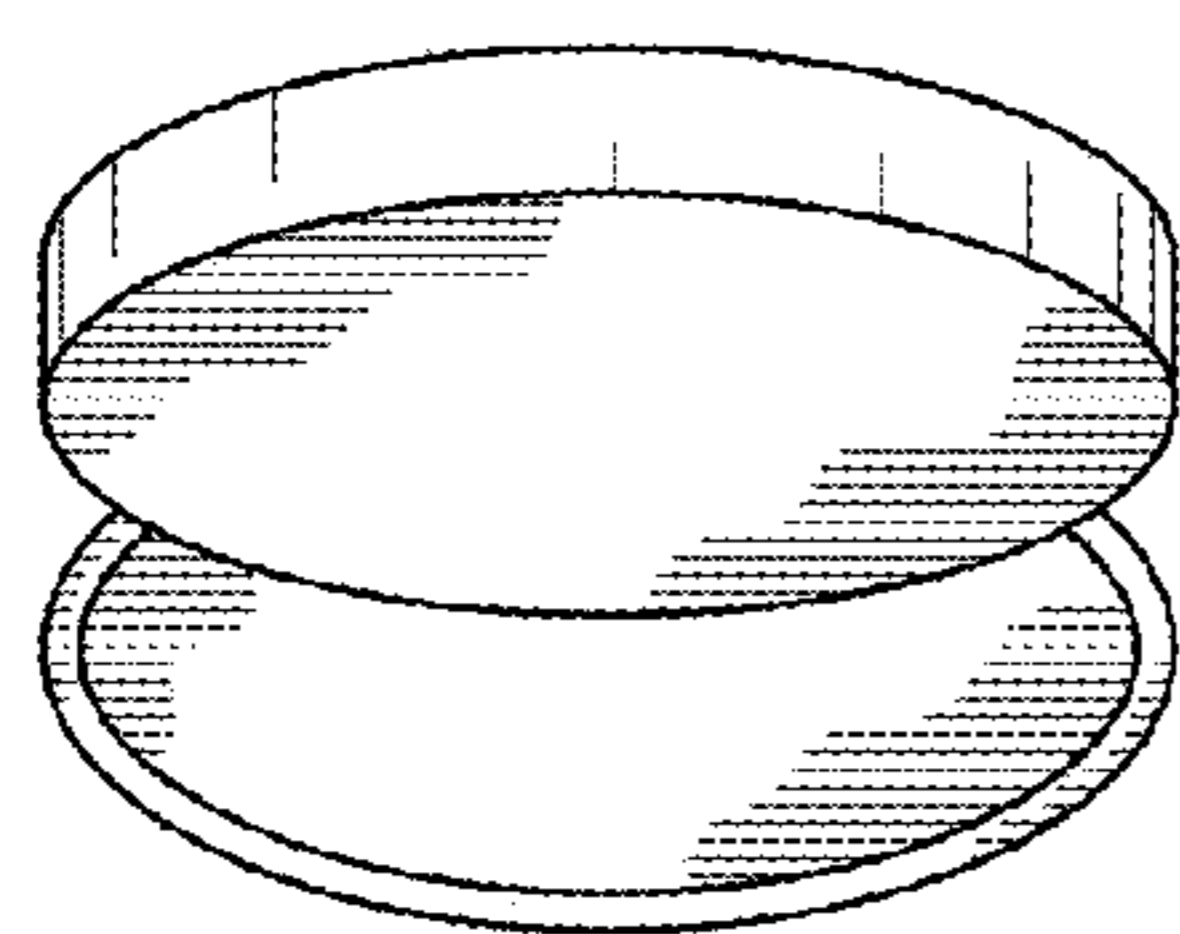


FIG. 8

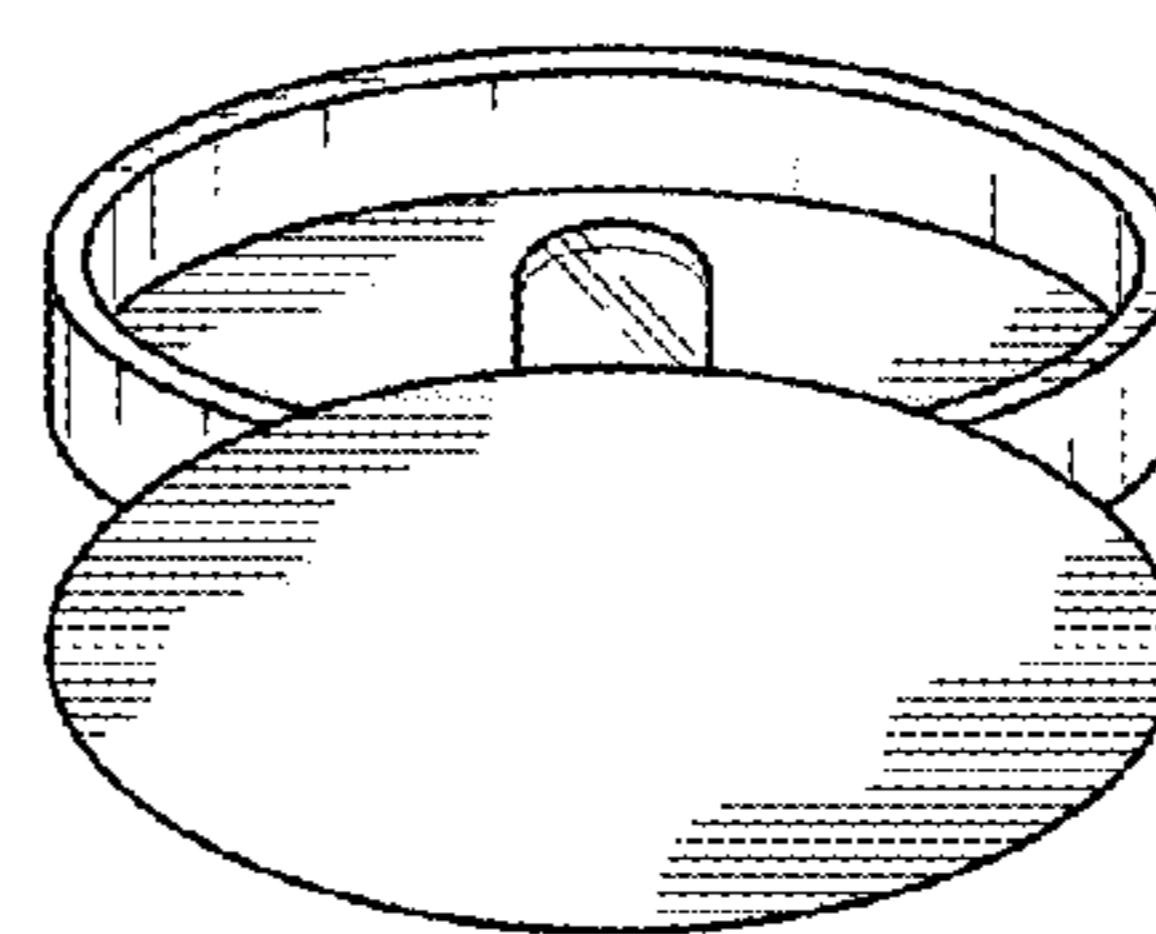


FIG. 9

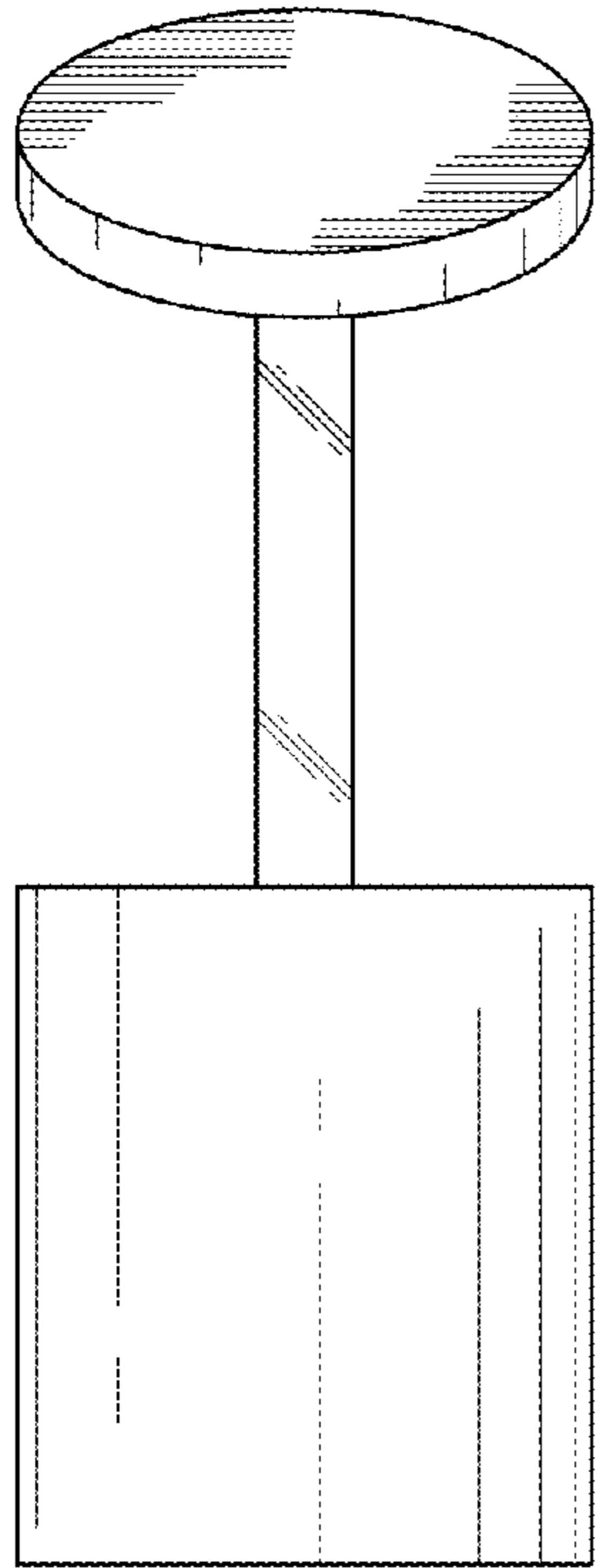


FIG. 10

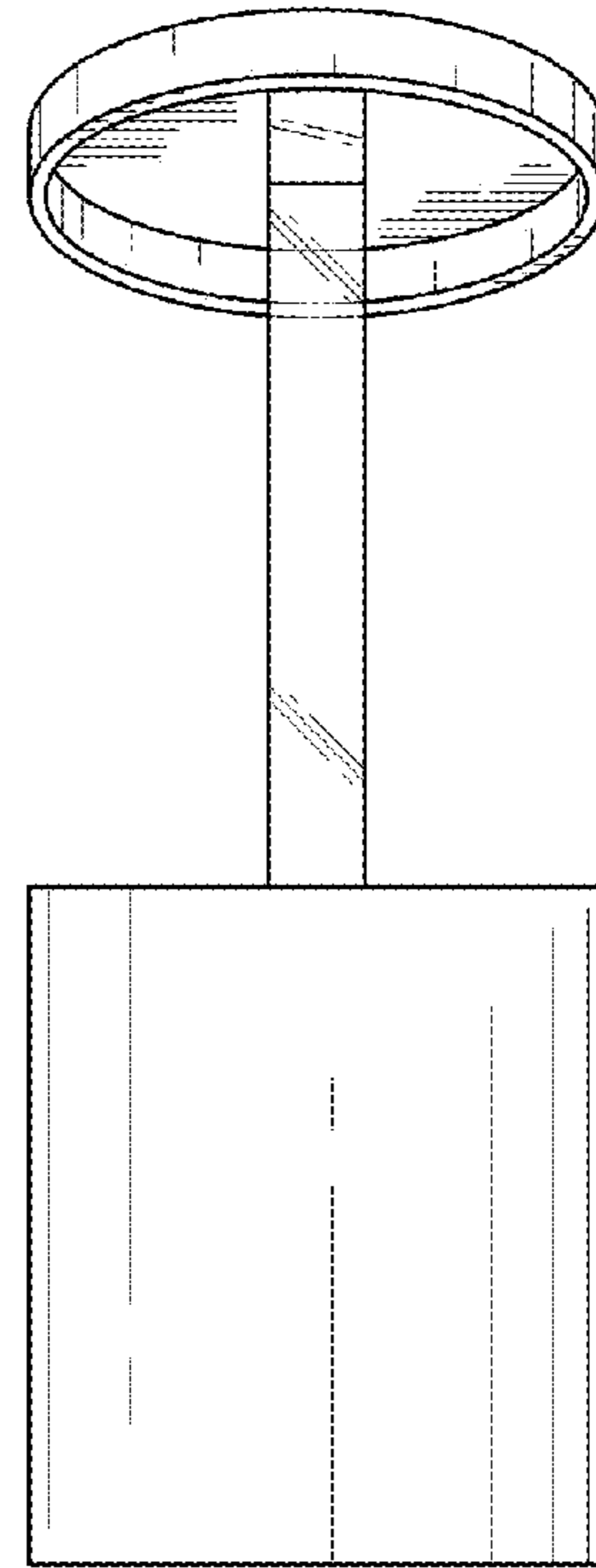


FIG. 11

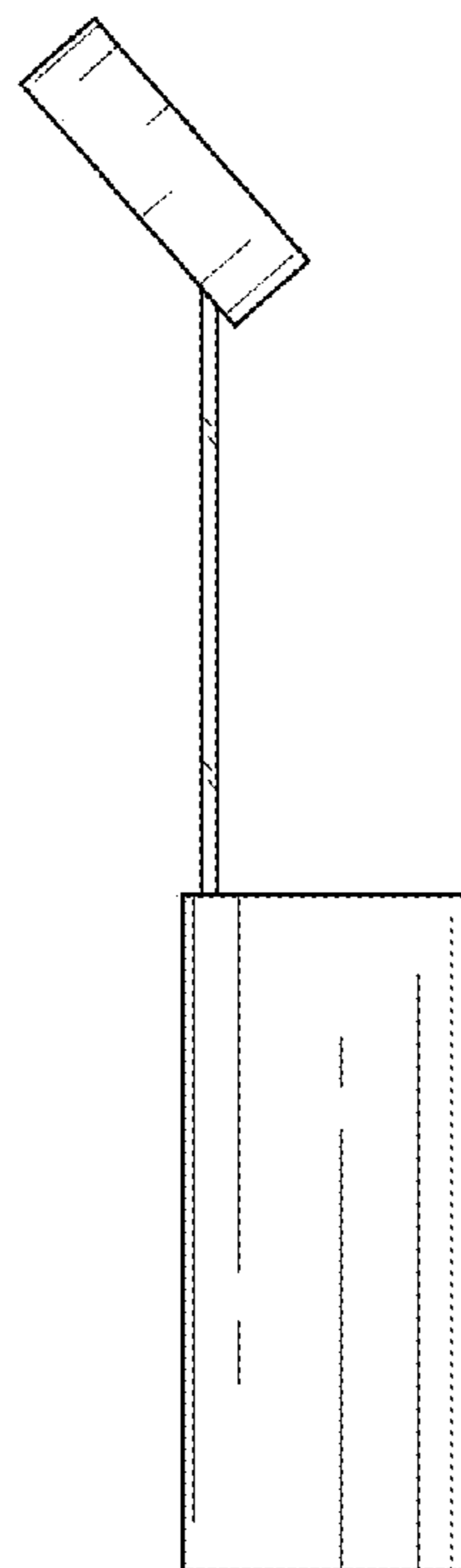


FIG. 12