



US00D712732S

(12) **United States Design Patent**
Andrews

(10) **Patent No.:** **US D712,732 S**
(45) **Date of Patent:** **** Sep. 9, 2014**

(54) **CAN END SEALANT GUN BRACKET**

(71) Applicant: **Chris L. Andrews**, Tuttle, OK (US)

(72) Inventor: **Chris L. Andrews**, Tuttle, OK (US)

(**) Term: **14 Years**

(21) Appl. No.: **29/461,601**

(22) Filed: **Jul. 25, 2013**

(51) **LOC (10) Cl.** **08-08**

(52) **U.S. Cl.**
USPC **D8/396**

(58) **Field of Classification Search**
USPC D8/354, 356, 371, 394-396; D19/65,
D19/86; D24/128; 248/74.2, 215, 227.1, 49,
248/300, 301, 316.7, 51, 489; 24/570, 3.12;
D3/203.2, 203.3; D21/392; 413/7, 61,
413/19

See application file for complete search history.

(56) **References Cited**

U.S. PATENT DOCUMENTS

D320,547 S * 10/1991 Georgopoulos D8/396
5,145,132 A * 9/1992 Kirschner 248/59
D472,131 S * 3/2003 Hubmann et al. D8/354
D562,677 S * 2/2008 Farber et al. D8/396

D571,650 S * 6/2008 Burnley D8/396
2006/0131333 A1 * 6/2006 Cherfane 222/135
2010/0209604 A1 * 8/2010 Stammen 427/207.1
2012/0269979 A1 * 10/2012 Weil et al. 427/421.1

* cited by examiner

Primary Examiner — John Windmuller

(74) *Attorney, Agent, or Firm* — Edward L. White

(57) **CLAIM**

The ornamental design for a can end sealant gun bracket, as shown.

DESCRIPTION

FIG. 1 is a perspective view of the can end sealant gun bracket.

FIG. 2 is a front view of the can end sealant gun bracket.

FIG. 3 is a back view of the can end sealant gun bracket.

FIG. 4 is a top view of the can end sealant gun bracket.

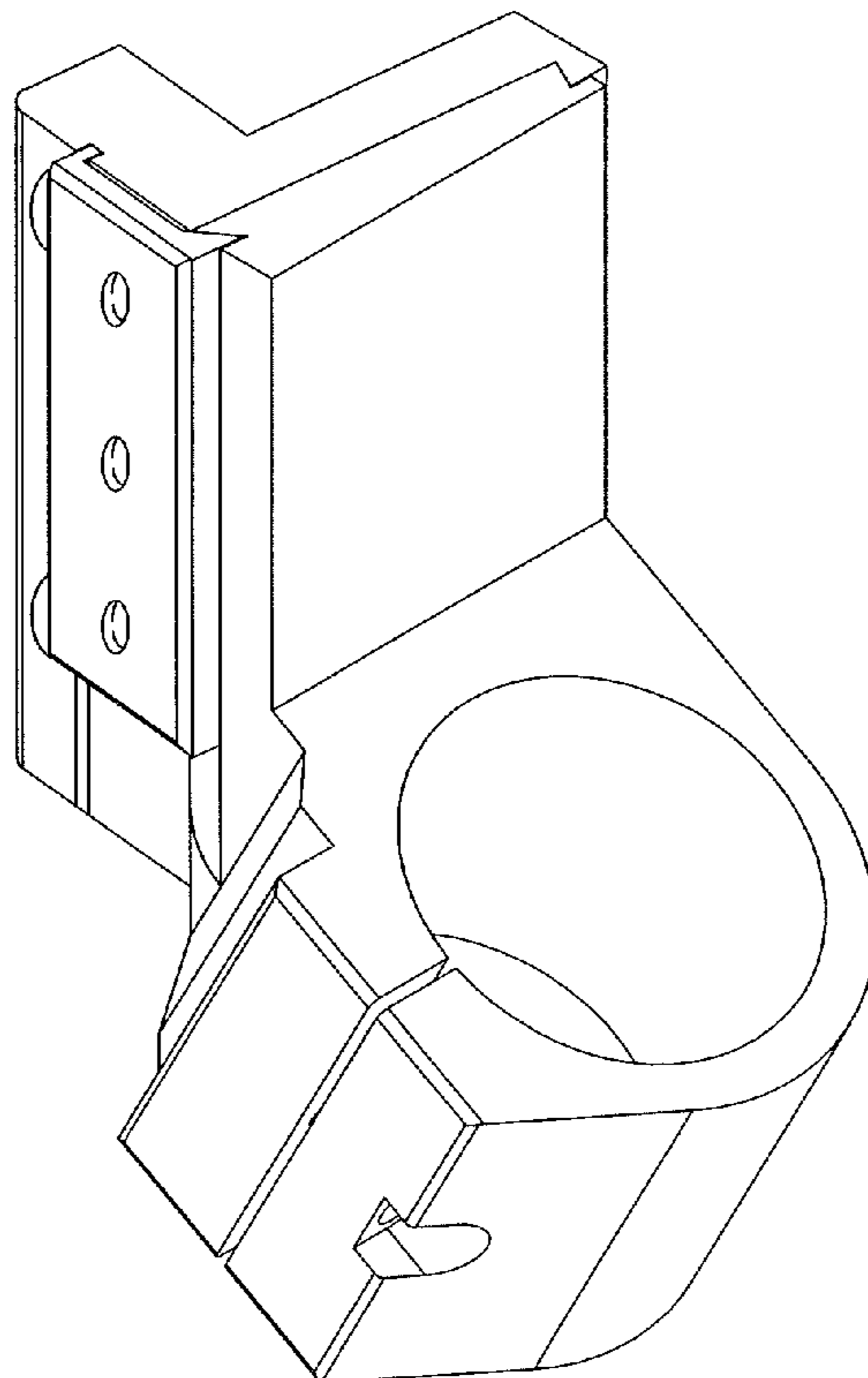
FIG. 5 is a bottom view of the can end sealant gun bracket.

FIG. 6 is a first side view of the can end sealant gun bracket; and,

FIG. 7 is a second side view of the can end sealant gun bracket.

The broken lines in the figures depict portions of the can end sealant gun bracket that form no part of the claimed design.

1 Claim, 4 Drawing Sheets



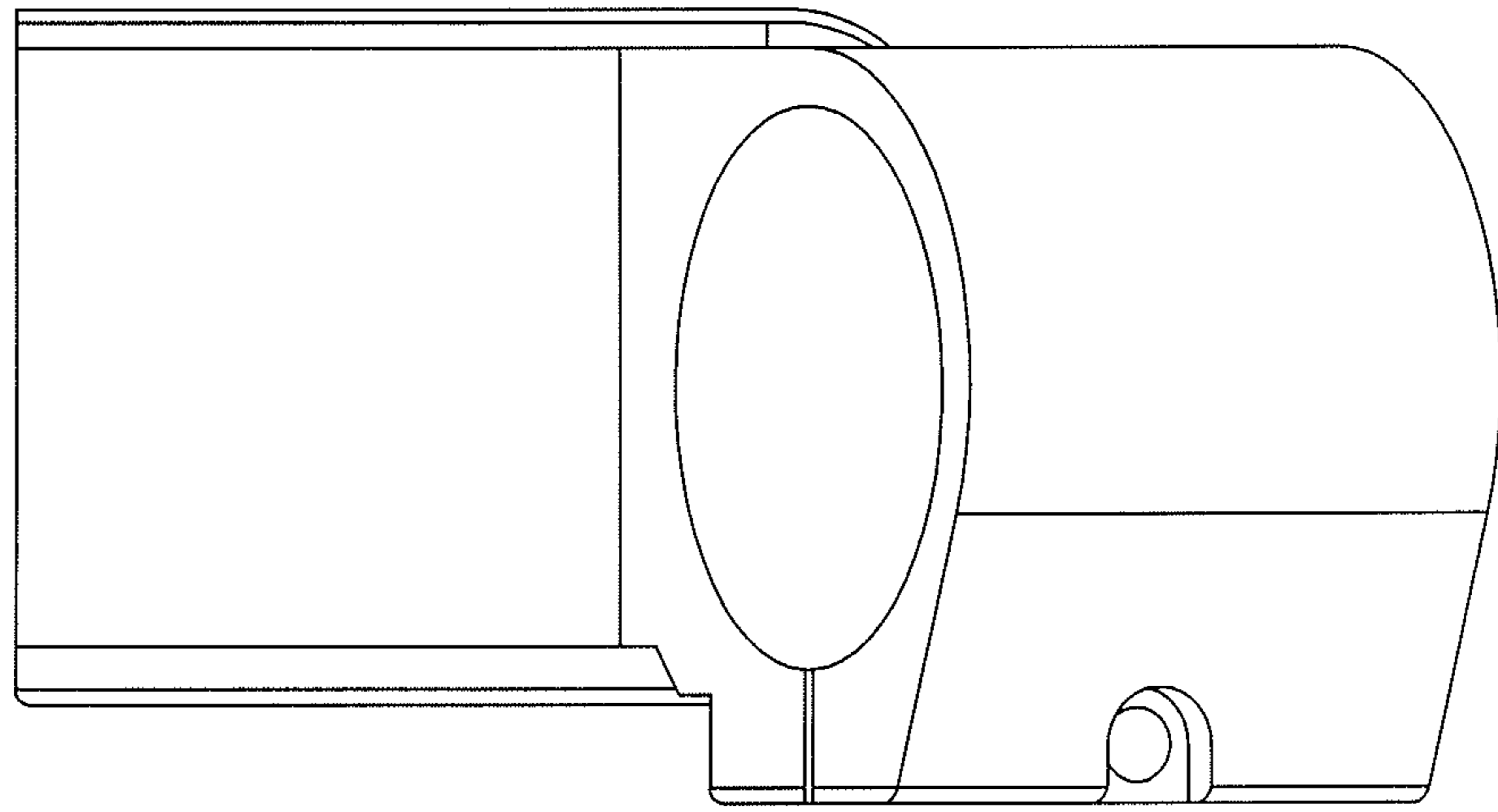


FIG. 2

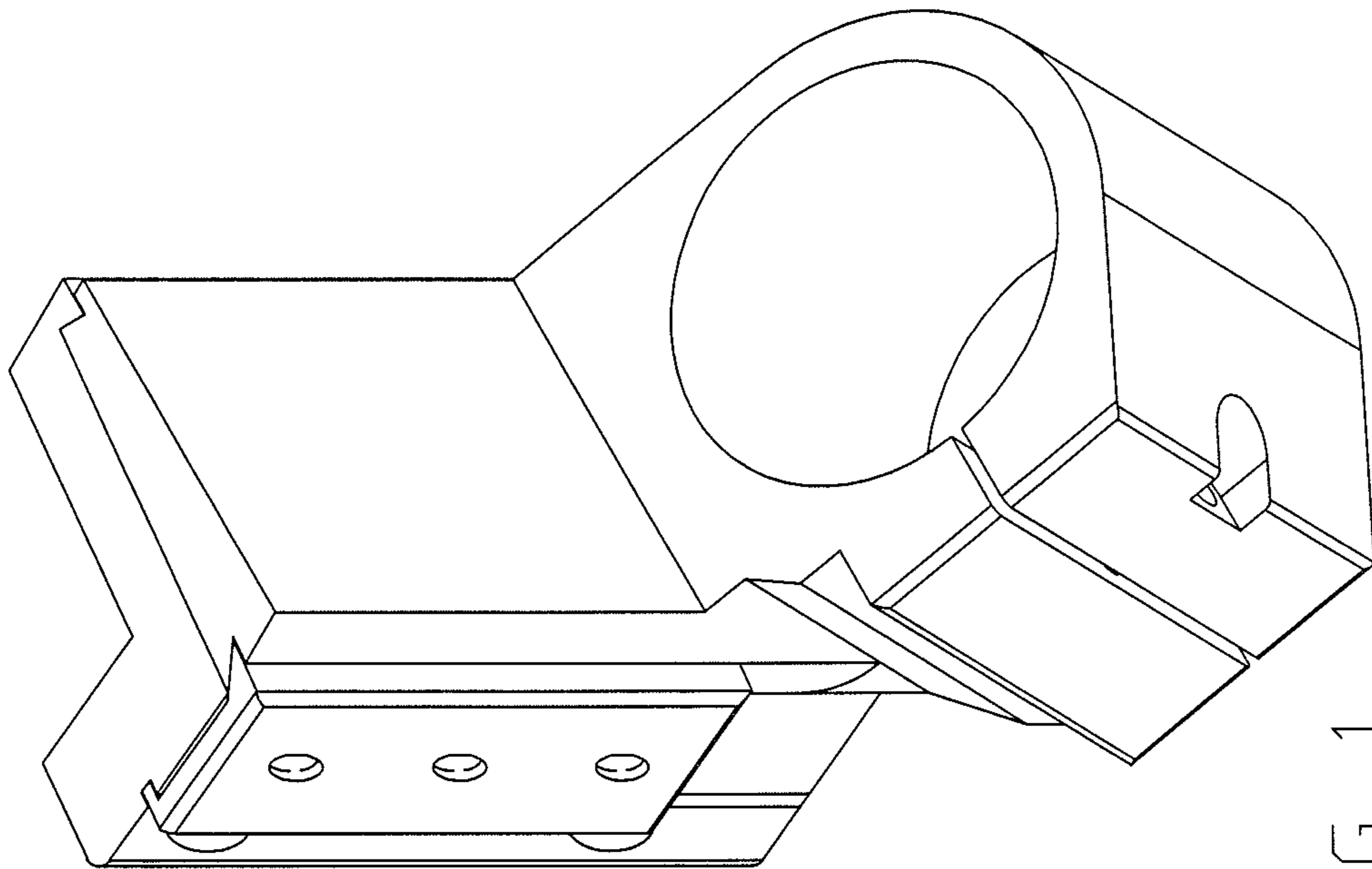


FIG. 1

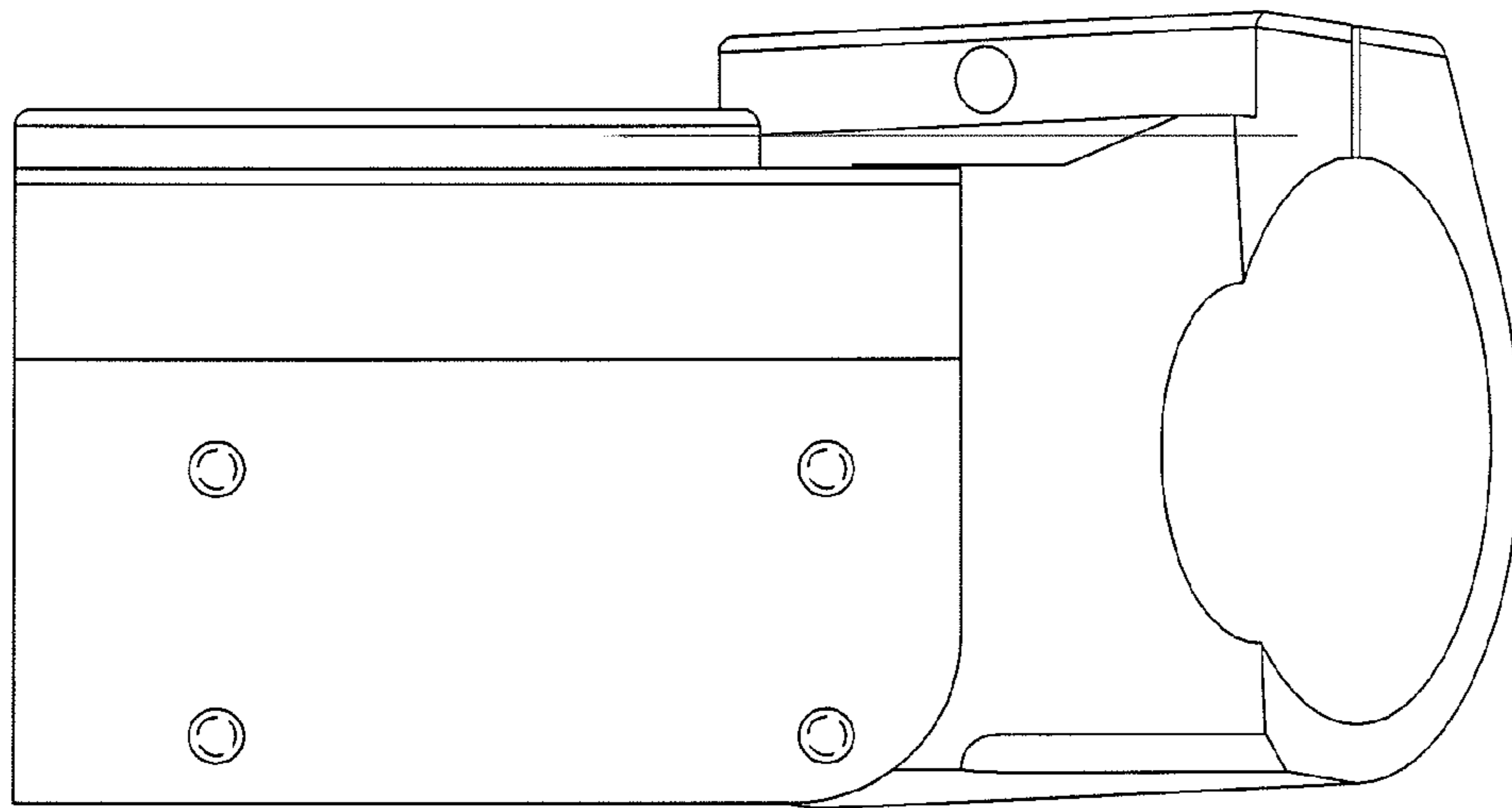


FIG. 3

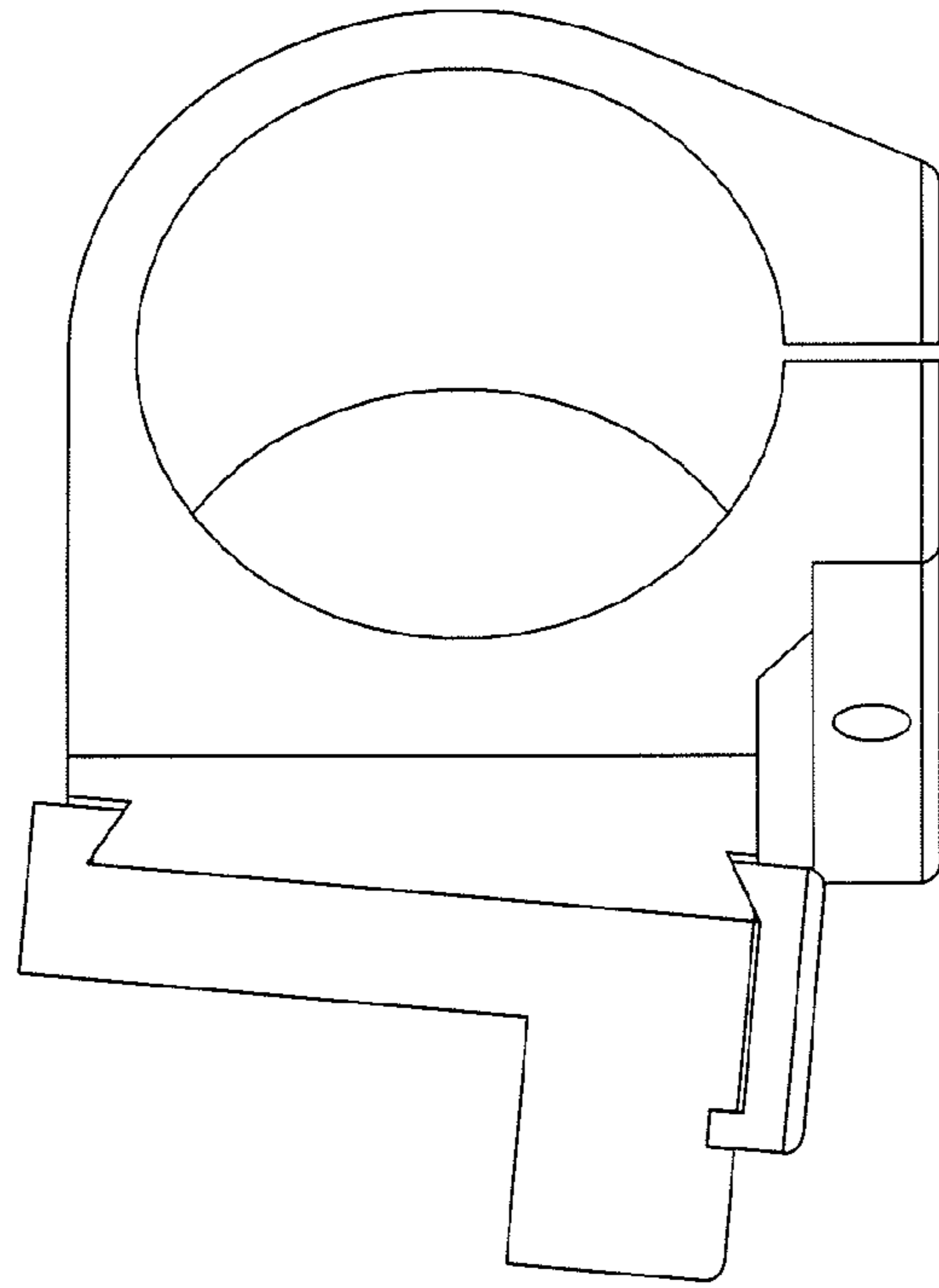


FIG. 4

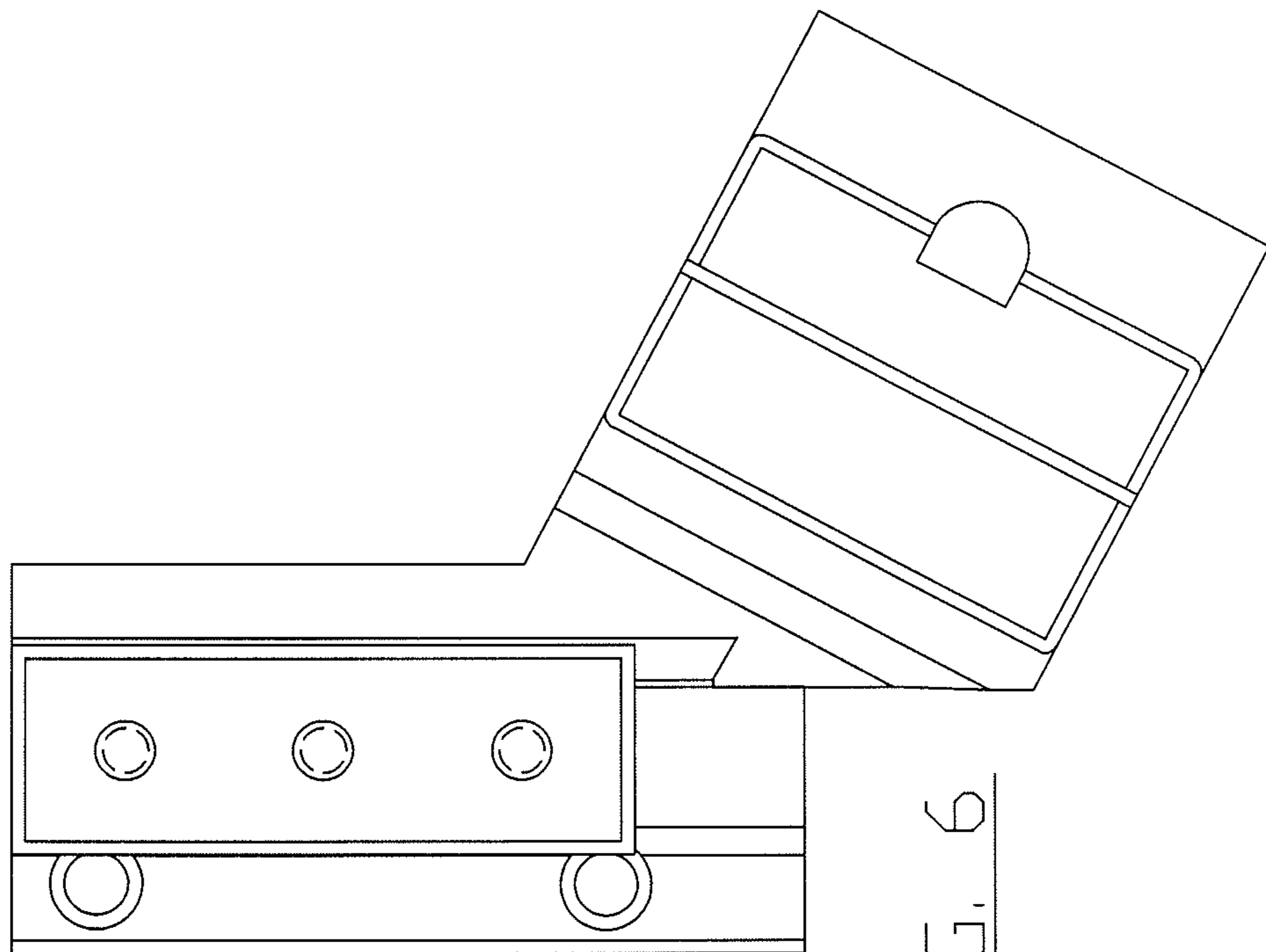


FIG. 6

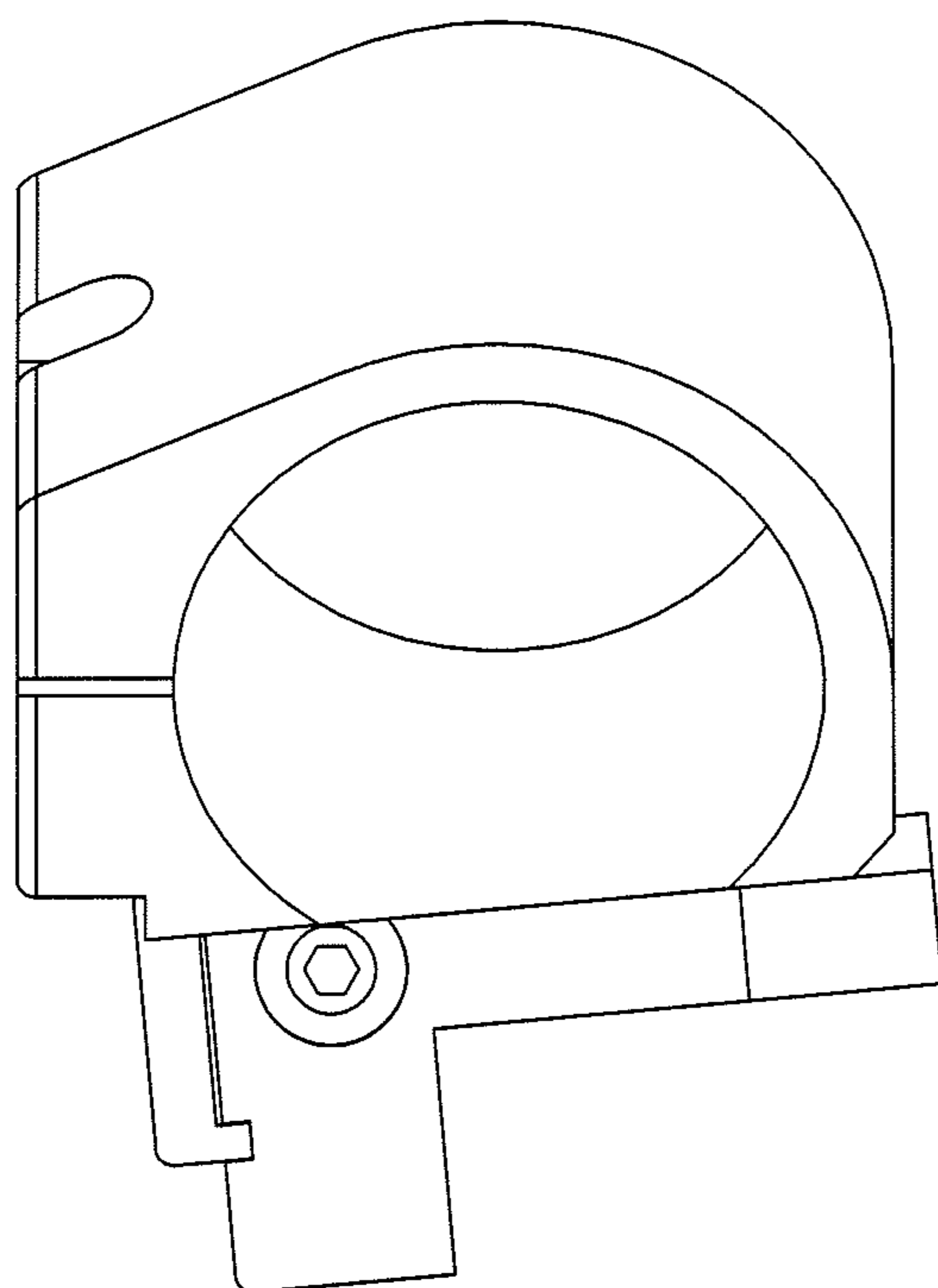


FIG. 5

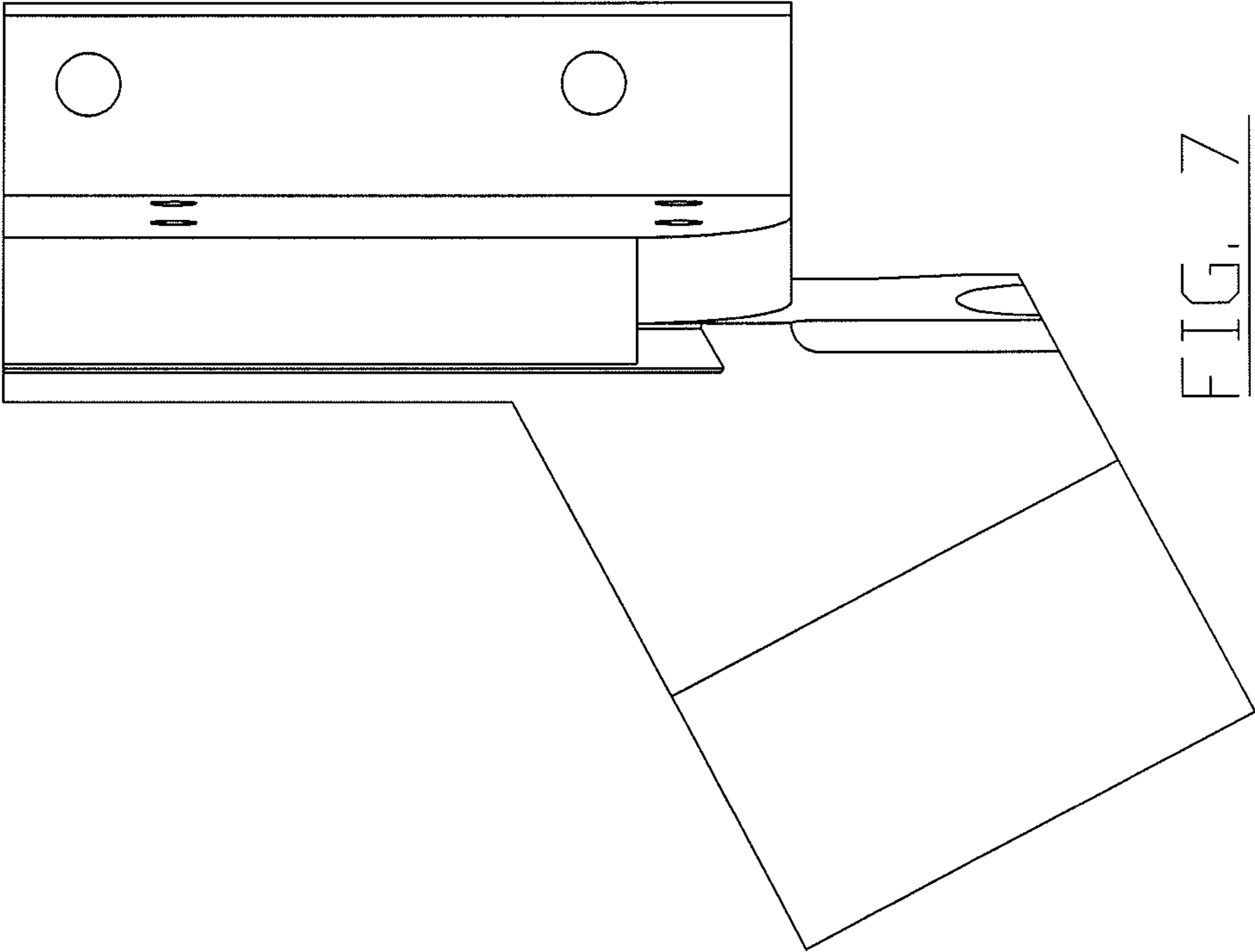


FIG. 7