



US00D712731S

(12) **United States Design Patent**
Brown

(10) **Patent No.:** **US D712,731 S**
(45) **Date of Patent:** **** Sep. 9, 2014**

- (54) **CLIP ASSEMBLY**
- (75) Inventor: **Kenneth J. Brown**, West Chester, PA
(US)
- (73) Assignee: **MSB Incorporated**, Glenmoore, PA
(US)
- (**) Term: **14 Years**
- (21) Appl. No.: **29/419,418**
- (22) Filed: **Apr. 27, 2012**
- (51) **LOC (10) Cl.** **08-08**
- (52) **U.S. Cl.**
USPC **D8/396; D8/394; D8/395**
- (58) **Field of Classification Search**
CPC F21V 21/0885; F21V 21/088; A42B 1/244
USPC D8/394, 396, 395, 397, 373; D20/99;
D11/215; 24/326, 335, 336, 343, 545,
24/546; 362/190, 191
See application file for complete search history.

- 5,772,166 A 6/1998 Adams
- D401,005 S 11/1998 Ludbrook et al.
- 5,867,874 A 2/1999 Simpson
- 5,979,724 A 11/1999 Loewenthal, Jr. et al.
- 6,036,071 A 3/2000 Hartmann et al.
- 6,206,543 B1 3/2001 Henry
- 6,371,345 B1 4/2002 Leyden et al.
- D460,912 S * 7/2002 Gary et al. D8/395
- D464,750 S 10/2002 Cooper
- 6,491,194 B2 12/2002 Marvin
- 6,564,432 B1 5/2003 Kushner
- D494,849 S * 8/2004 Jones et al. D8/395
- 7,040,783 B1 5/2006 Christianson
- 7,055,979 B2 6/2006 Lee
- 7,099,466 B2 8/2006 Walsh
- 7,099,467 B1 8/2006 Rohrback

(Continued)

Primary Examiner — Deanna L. Pratt
Assistant Examiner — Harold Blackwell, II
(74) *Attorney, Agent, or Firm* — Allen, Dyer, Doppelt,
Milbrath & Gilchrist, P.A.

(57) **CLAIM**
The ornamental design for a clip assembly, as shown and
described.

(56) **References Cited**

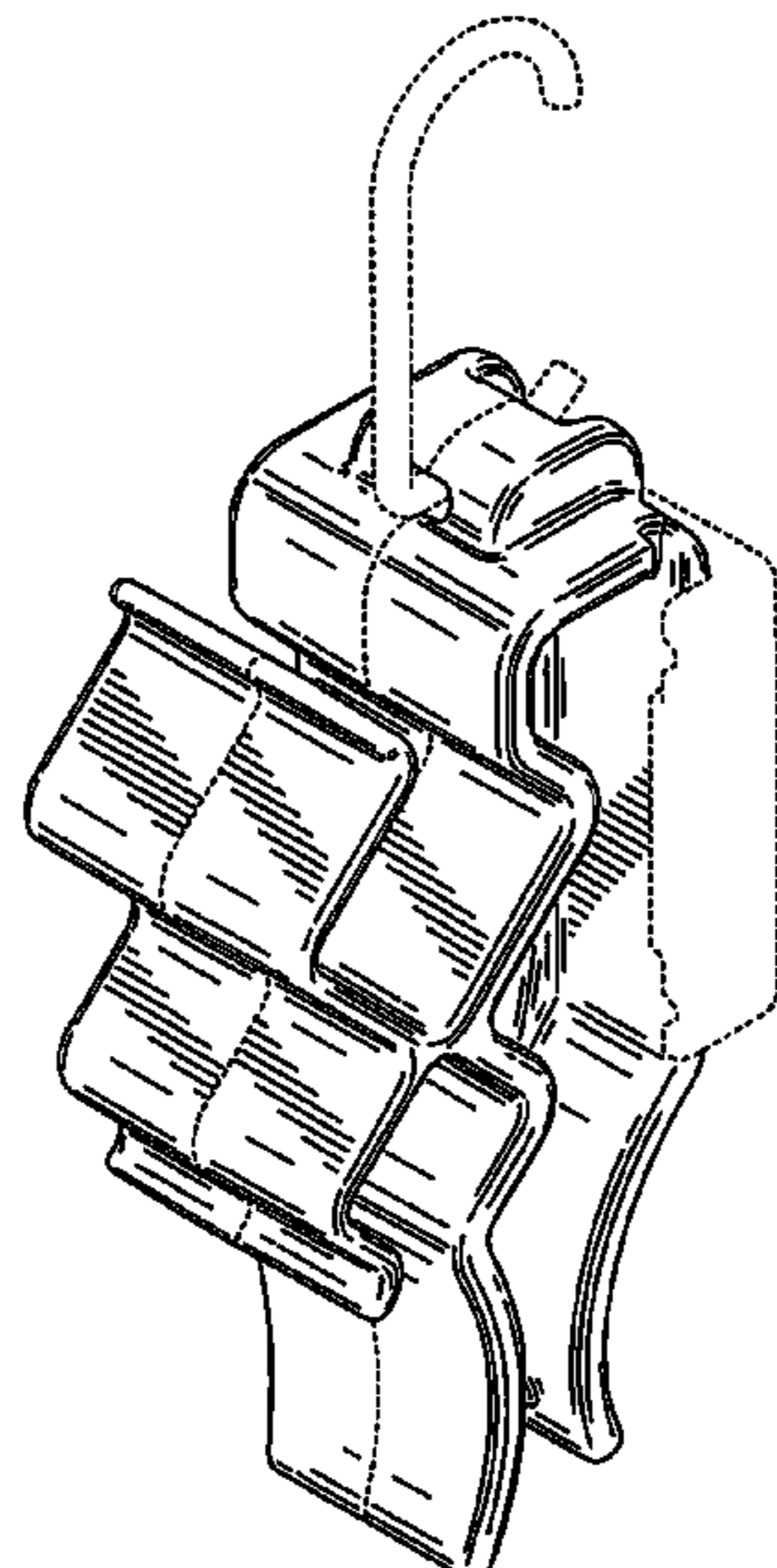
U.S. PATENT DOCUMENTS

- 1,858,284 A 5/1932 Schwartz
- 2,402,877 A 6/1946 Dial
- 4,097,012 A 6/1978 McIntyre
- 4,390,927 A 6/1983 Von Feldt
- 4,406,040 A 9/1983 Cannone
- D281,393 S 11/1985 Karnhag et al.
- D308,935 S * 7/1990 Leatherman D8/395
- 5,086,958 A 2/1992 Nagy
- 5,103,384 A 4/1992 Drohan
- 5,199,780 A 4/1993 Ekman
- 5,274,885 A 1/1994 Hellweg
- 5,484,066 A 1/1996 Luisi
- 5,568,549 A 10/1996 Wang
- 5,593,124 A 1/1997 Wang
- 5,620,120 A 4/1997 Tien
- 5,683,171 A 11/1997 Van Gennep
- 5,690,416 A 11/1997 Van Gennep

DESCRIPTION

FIG. 1 is a rear, right, top perspective view of a second
embodiment thereof;
FIG. 2 is a top view of FIG. 1;
FIG. 3 is a bottom view of FIG. 1;
FIG. 4 is a right side view of FIG. 1;
FIG. 5 is a left side view of FIG. 1;
FIG. 6 is a rear view of FIG. 1;
FIG. 7 is a front view of FIG. 1; and,
FIG. 8 is a rear, right, top perspective view thereof shown in
a used condition.
In the drawings, the broken lines depict portions of the design
that form no part of the claim.

1 Claim, 8 Drawing Sheets



(56)

References Cited

U.S. PATENT DOCUMENTS

D530,598 S *	10/2006	Jackson et al.	D8/395	D593,998 S	6/2009	Bentley et al.	
D531,018 S *	10/2006	Jackson et al.	D8/395	D601,134 S	9/2009	Elabidi et al.	
7,168,821 B2	1/2007	Huang		D601,543 S	10/2009	Bentley	
D544,476 S	6/2007	Wilson et al.		D602,001 S	10/2009	Bentley	
D550,450 S	9/2007	Dong		D602,008 S	10/2009	Bentley et al.	
D578,508 S	10/2008	Wang		D617,316 S	6/2010	Elabidi et al.	
D587,683 S	3/2009	Ham et al.		8,545,041 B2 *	10/2013	Brown	362/191
D587,684 S	3/2009	Ham et al.		2004/0040994 A1	3/2004	Parcelles	
D589,031 S	3/2009	Bentley et al.		2005/0254238 A1	11/2005	Parker et al.	
D589,492 S	3/2009	Mistry		2009/0273316 A1	11/2009	Lee	
				2010/0008528 A1	1/2010	Isvan	
				2010/0020998 A1	1/2010	Brown et al.	
				2010/0137038 A1	6/2010	Scholz et al.	

* cited by examiner

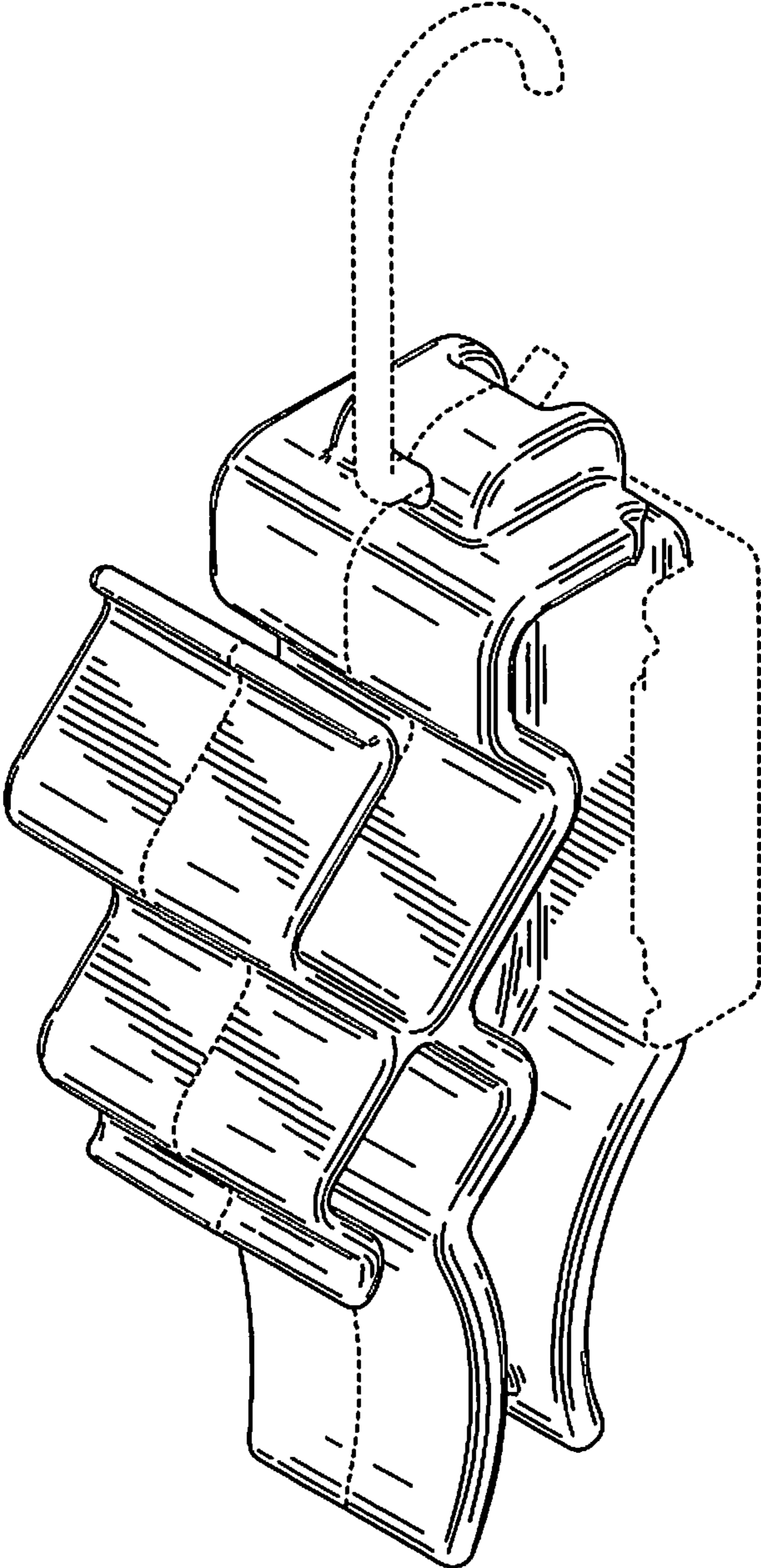


FIG. 1

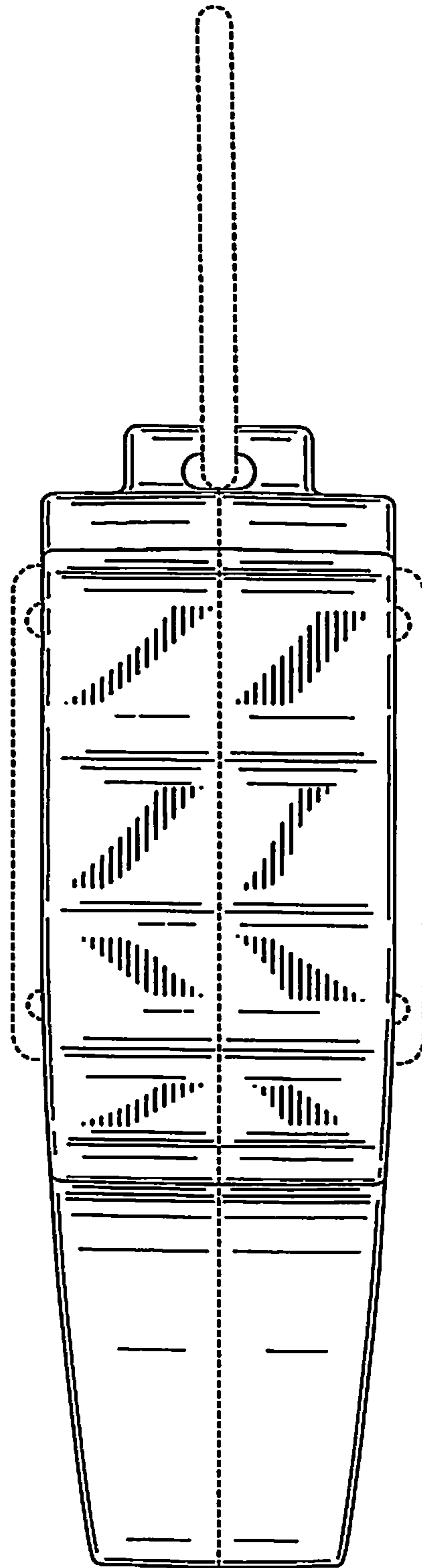


FIG. 2

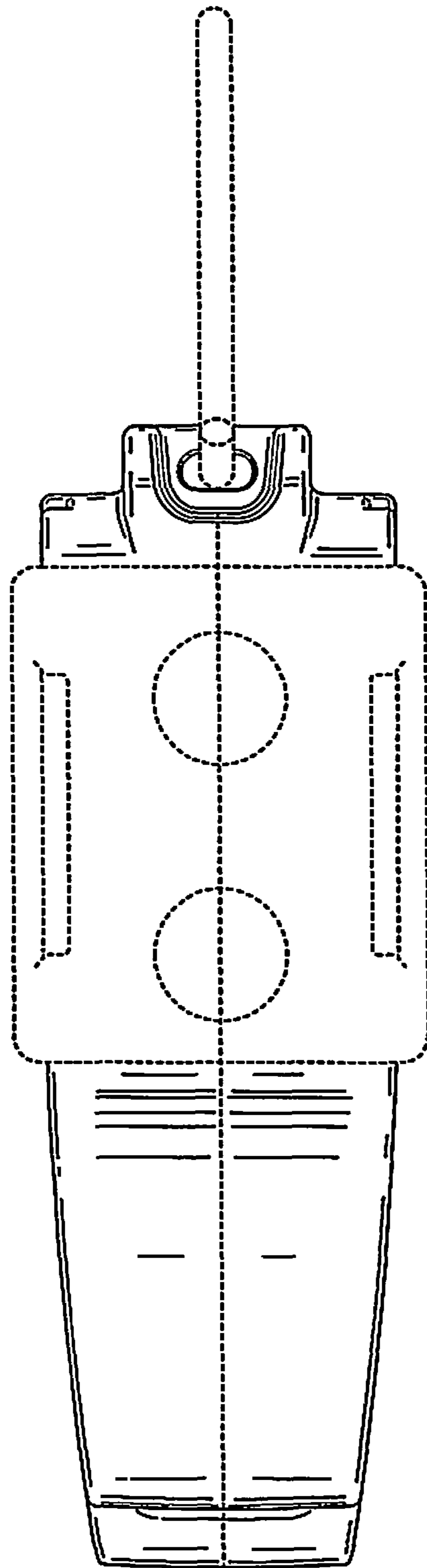


FIG. 3

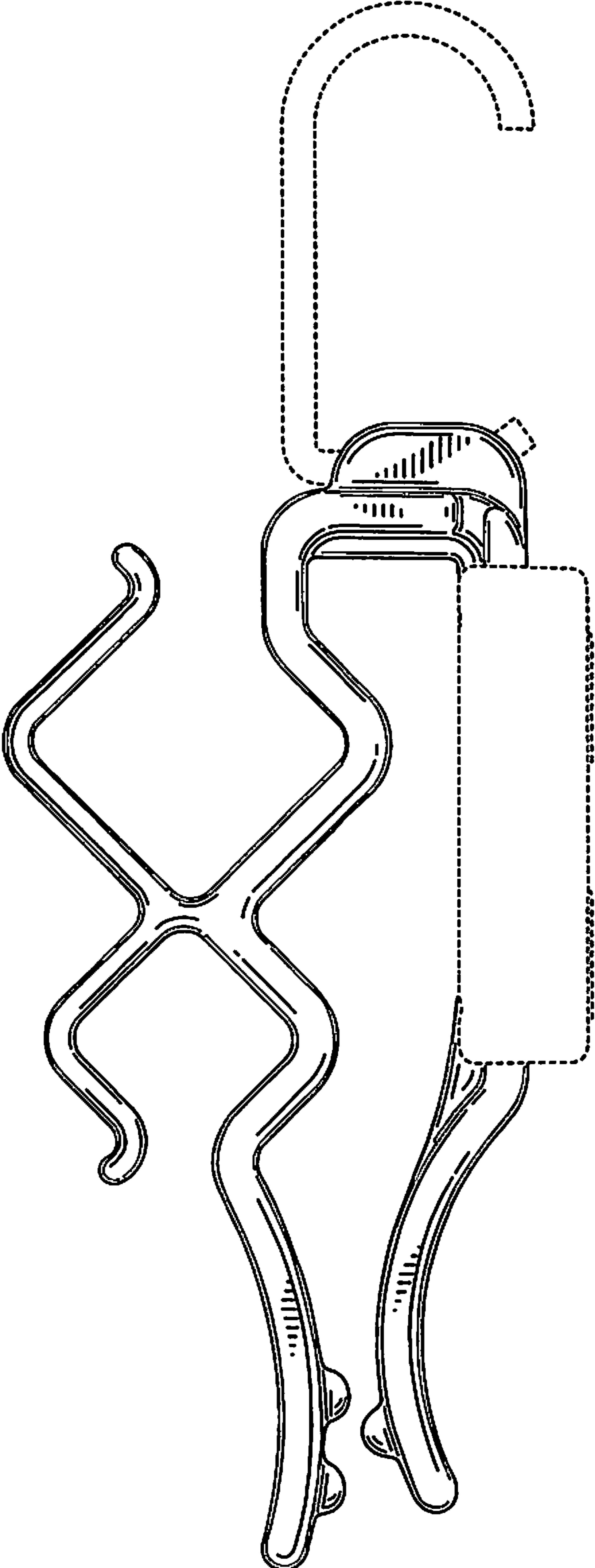


FIG. 4

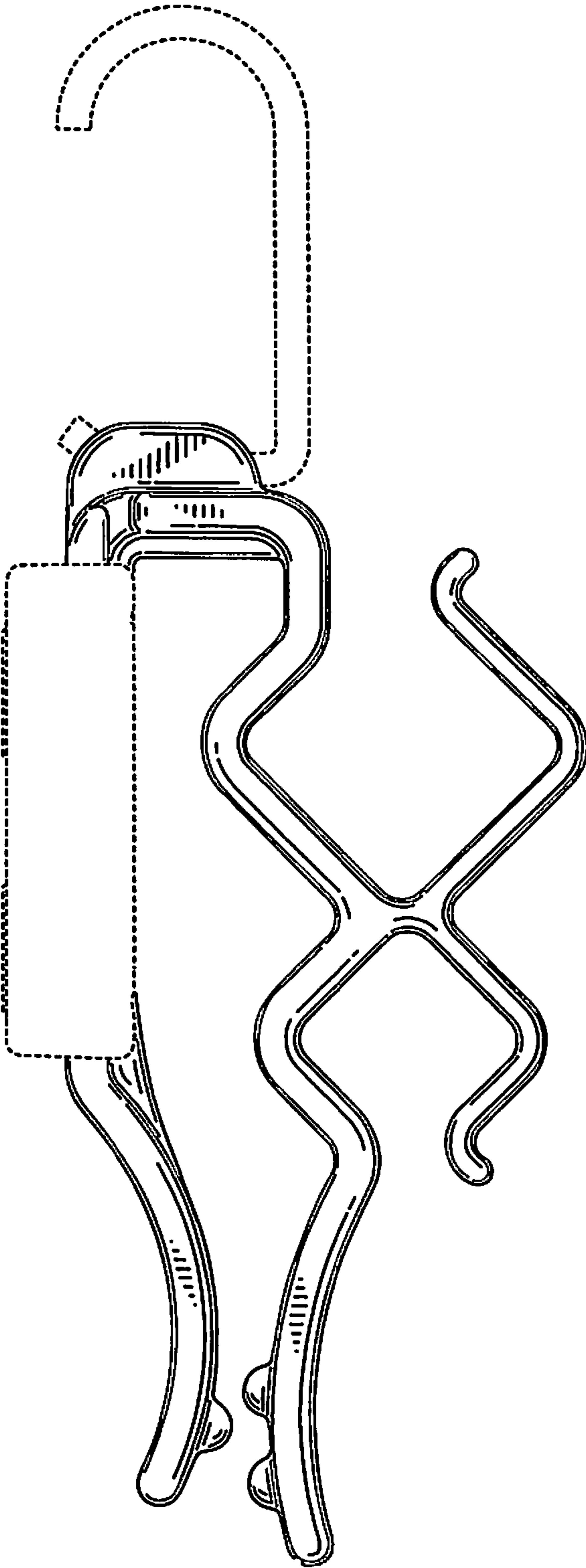


FIG. 5

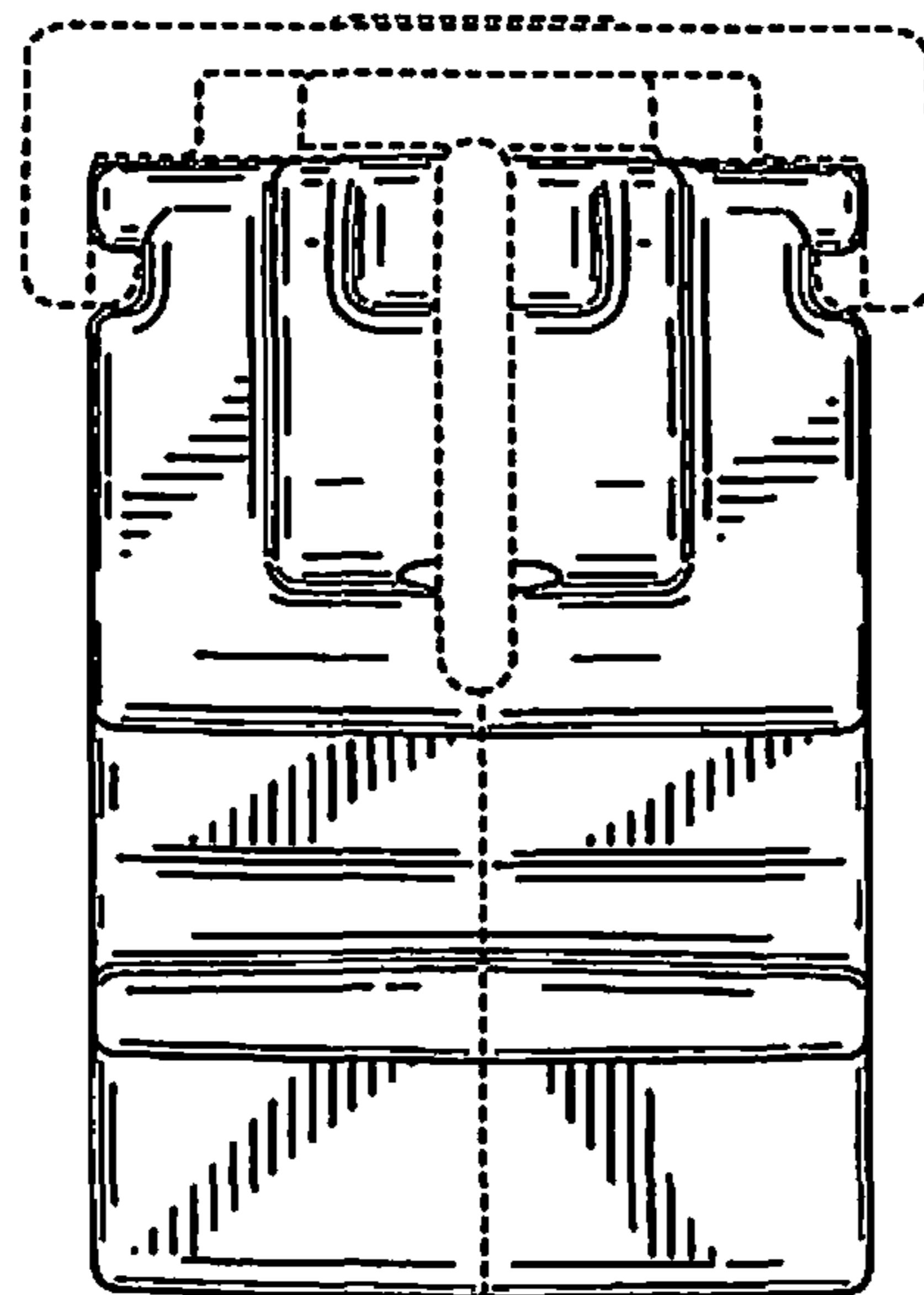


FIG. 6

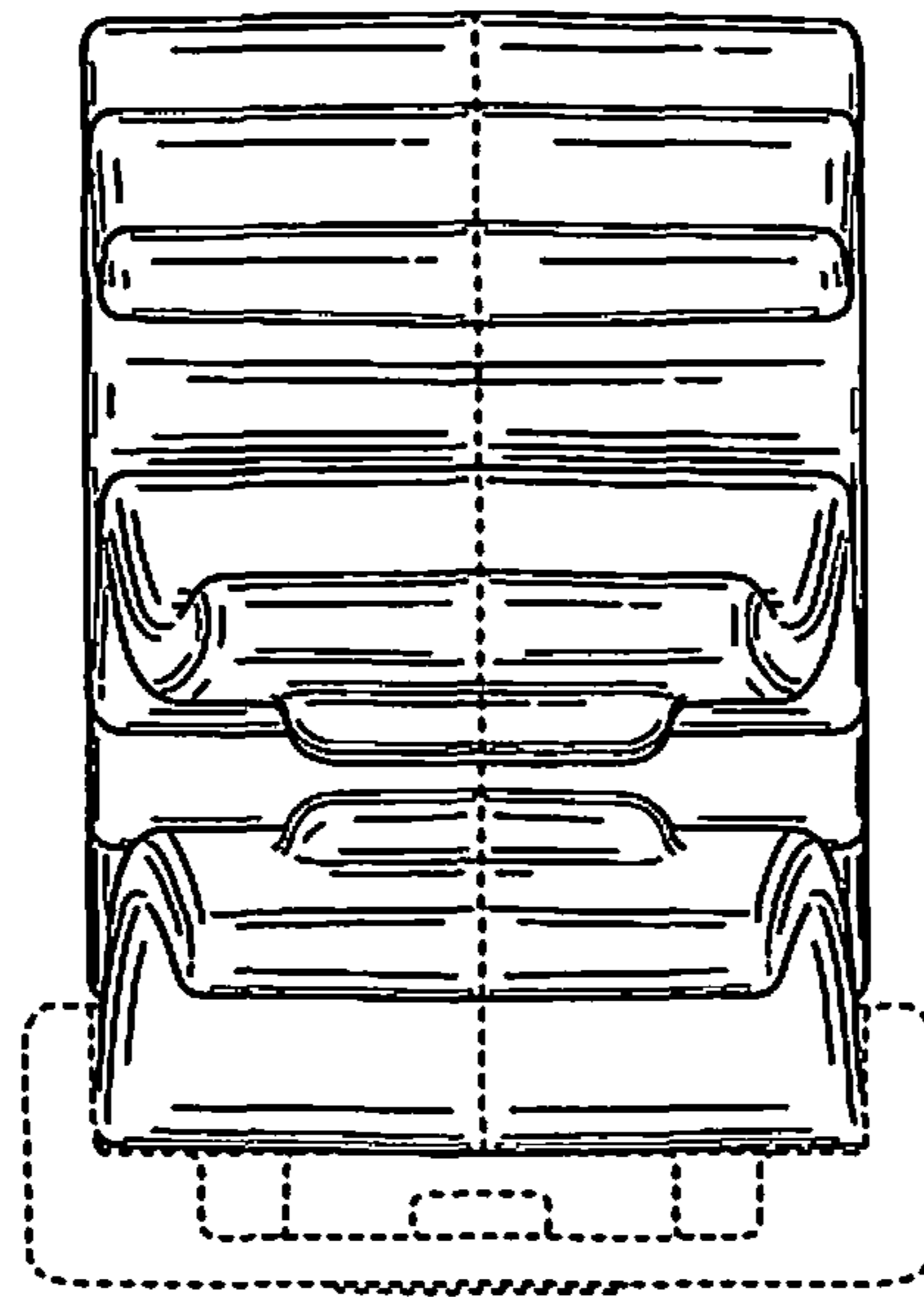


FIG. 7

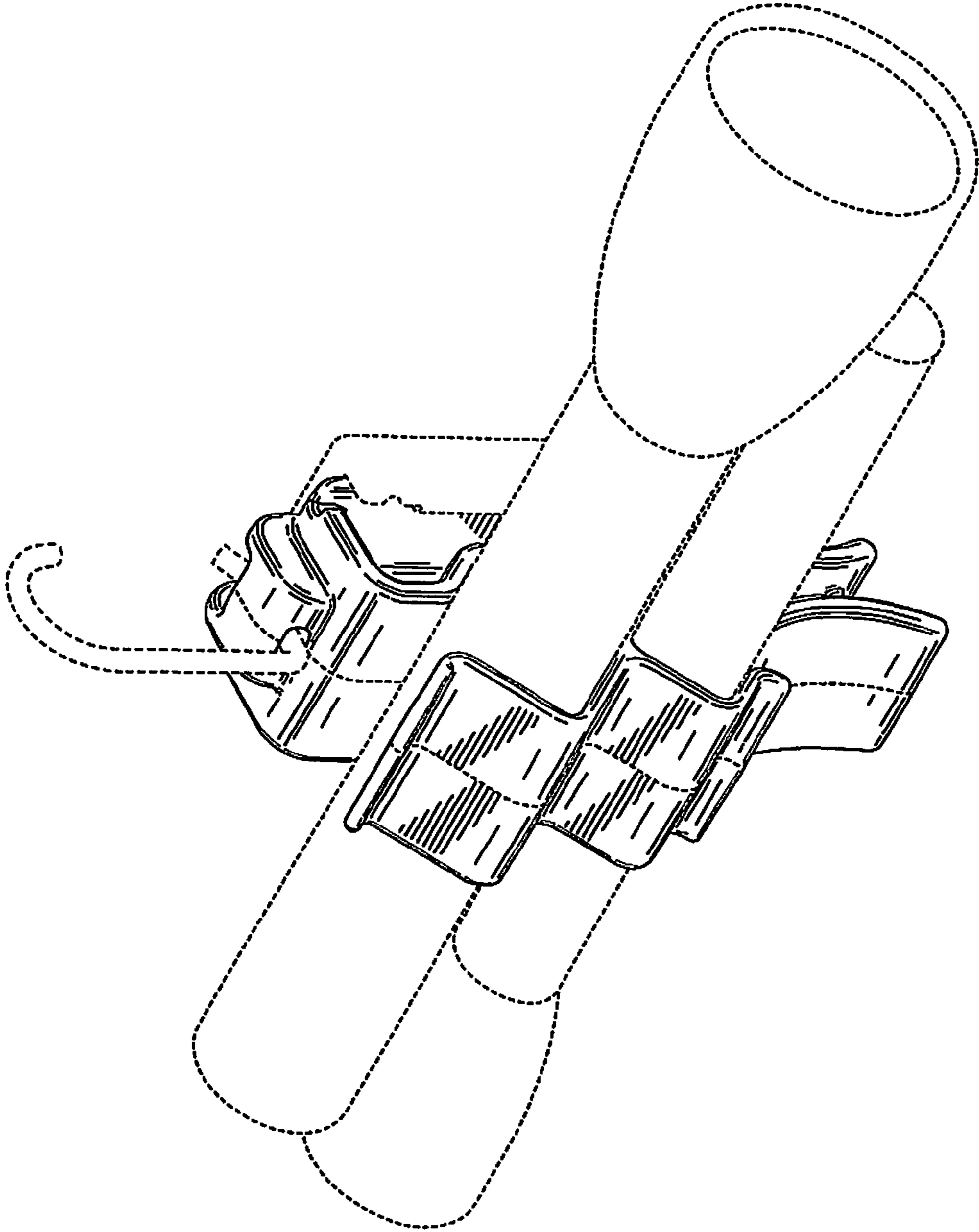


FIG. 8