



US00D712730S

(12) **United States Design Patent**  
**Gridley**

(10) **Patent No.:** **US D712,730 S**

(45) **Date of Patent:** **\*\* Sep. 9, 2014**

(54) **TELESCOPING FLIP LOCK POLE**

(76) Inventor: **William Gridley**, Dousman, WI (US)

(\*\*) Term: **14 Years**

(21) Appl. No.: **29/416,183**

(22) Filed: **Mar. 20, 2012**

**Related U.S. Application Data**

(63) Continuation-in-part of application No. 29/385,453, filed on Feb. 14, 2011, now abandoned, and a continuation-in-part of application No. 13/090,444, filed on Apr. 20, 2011, now Pat. No. 8,220,474, which is a continuation-in-part of application No. 12/400,952, filed on Mar. 10, 2009, now Pat. No. 8,069,870, and a continuation-in-part of application No. PCT/US2009/036711, filed on Mar. 10, 2009, and a continuation-in-part of application No. 12/464,045, filed on May 11, 2009, now Pat. No. 8,196,877.

(51) **LOC (10) Cl.** ..... **08-08**

(52) **U.S. Cl.**  
USPC ..... **D8/396**

(58) **Field of Classification Search**  
USPC ..... D8/354, 356, 371, 394-396; D19/65, D19/86; D24/128; 248/74.2, 215, 227.1, 49, 248/300, 301, 316.7, 51, 489; 24/570, 3.12; D3/203.2, 203.3; D21/392

See application file for complete search history.

(56) **References Cited**

**U.S. PATENT DOCUMENTS**

5,479,836	A *	1/1996	Chang	74/551.1
6,948,878	B1 *	9/2005	Smith et al.	403/110
7,353,731	B2 *	4/2008	Lin	74/551.7
D577,423	S *	9/2008	Dole	D23/265
D580,262	S *	11/2008	Eason et al.	D8/396
D584,604	S *	1/2009	Baldwin	D8/396
7,487,787	B2 *	2/2009	Tung	135/21
2005/0049720	A1 *	3/2005	Benson	623/38
2009/0260665	A1 *	10/2009	Gridley	135/94
2010/0127472	A1 *	5/2010	Winefordner et al.	280/276
2010/0194162	A1 *	8/2010	Knopf	297/354.12

\* cited by examiner

*Primary Examiner* — John Windmuller

(74) *Attorney, Agent, or Firm* — Monty Simmons; Simmons Patents

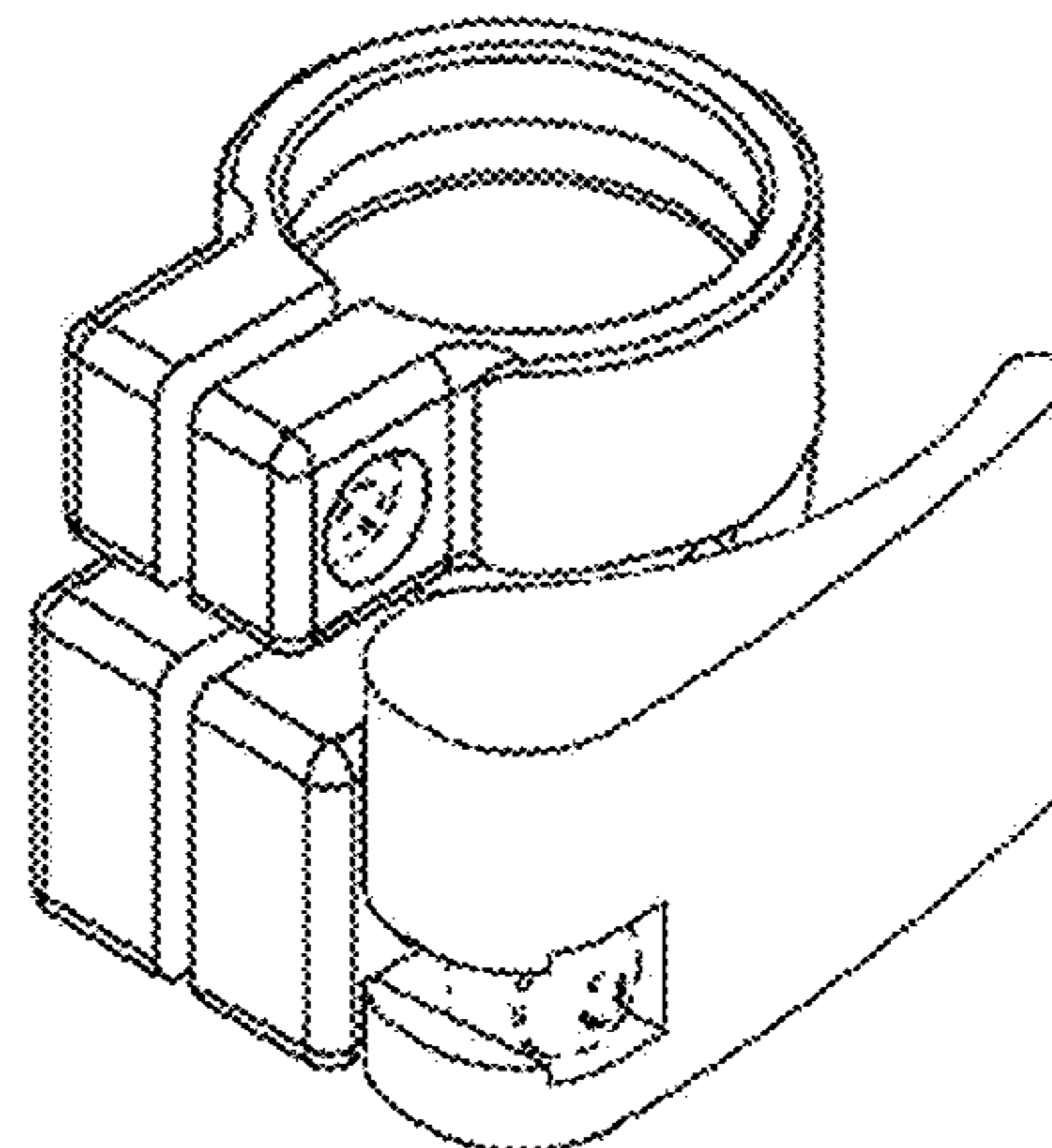
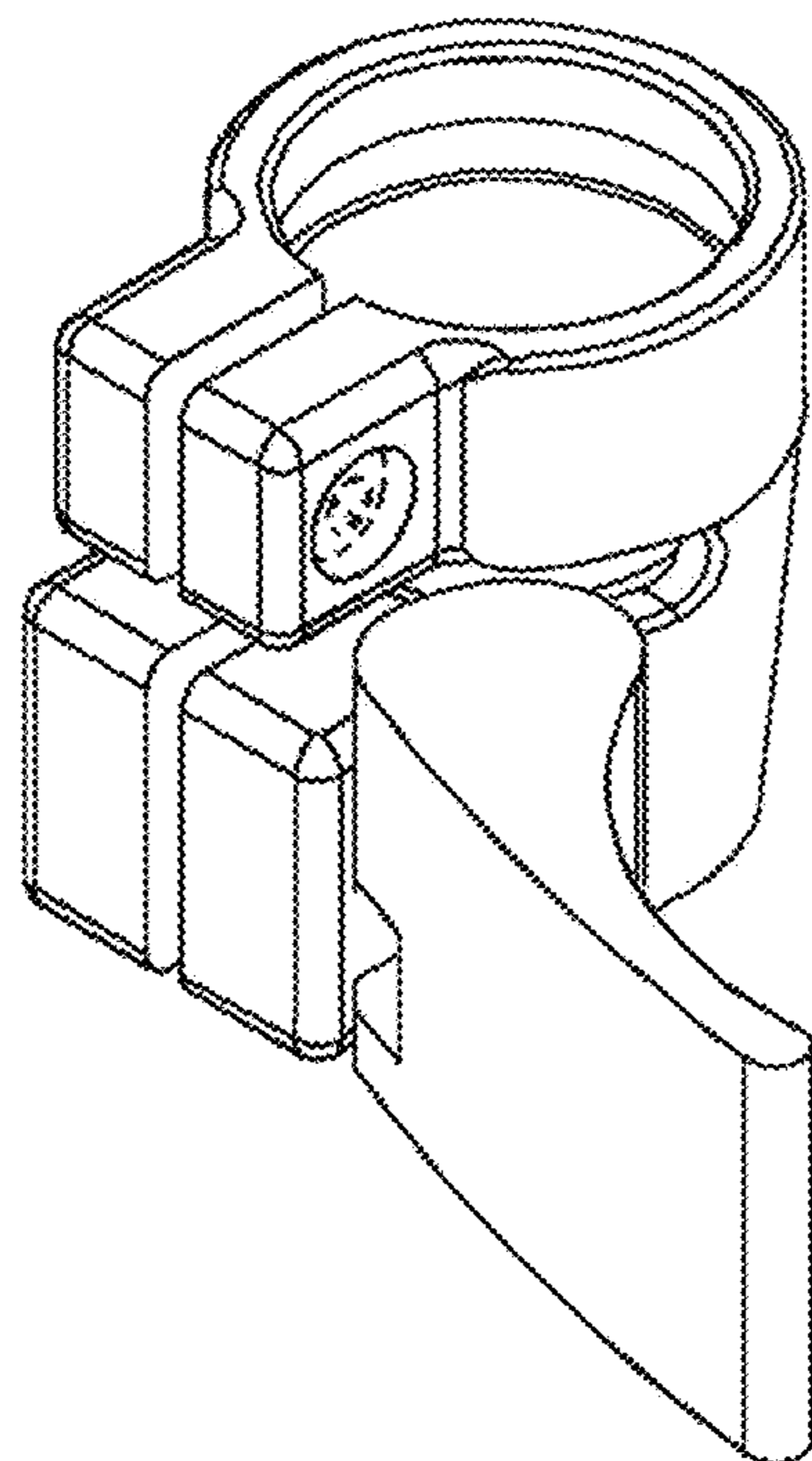
(57) **CLAIM**

The ornamental design for a telescoping flip lock pole, as shown and described.

**DESCRIPTION**

FIG. 1 is an elevated front perspective with exemplary pole view of thereof;  
FIG. 2 is a side perspective with clamp open view thereof;  
FIG. 3 is a side perspective with clamp closed view thereof;  
FIG. 4 is a bottom view thereof;  
FIG. 5 is a top view thereof; and,  
FIG. 6 is a side view thereof.  
The broken lines in a drawing illustrate environmental structure and portions of the telescoping flip lock pole that forms no part of the claimed design.

**1 Claim, 6 Drawing Sheets**



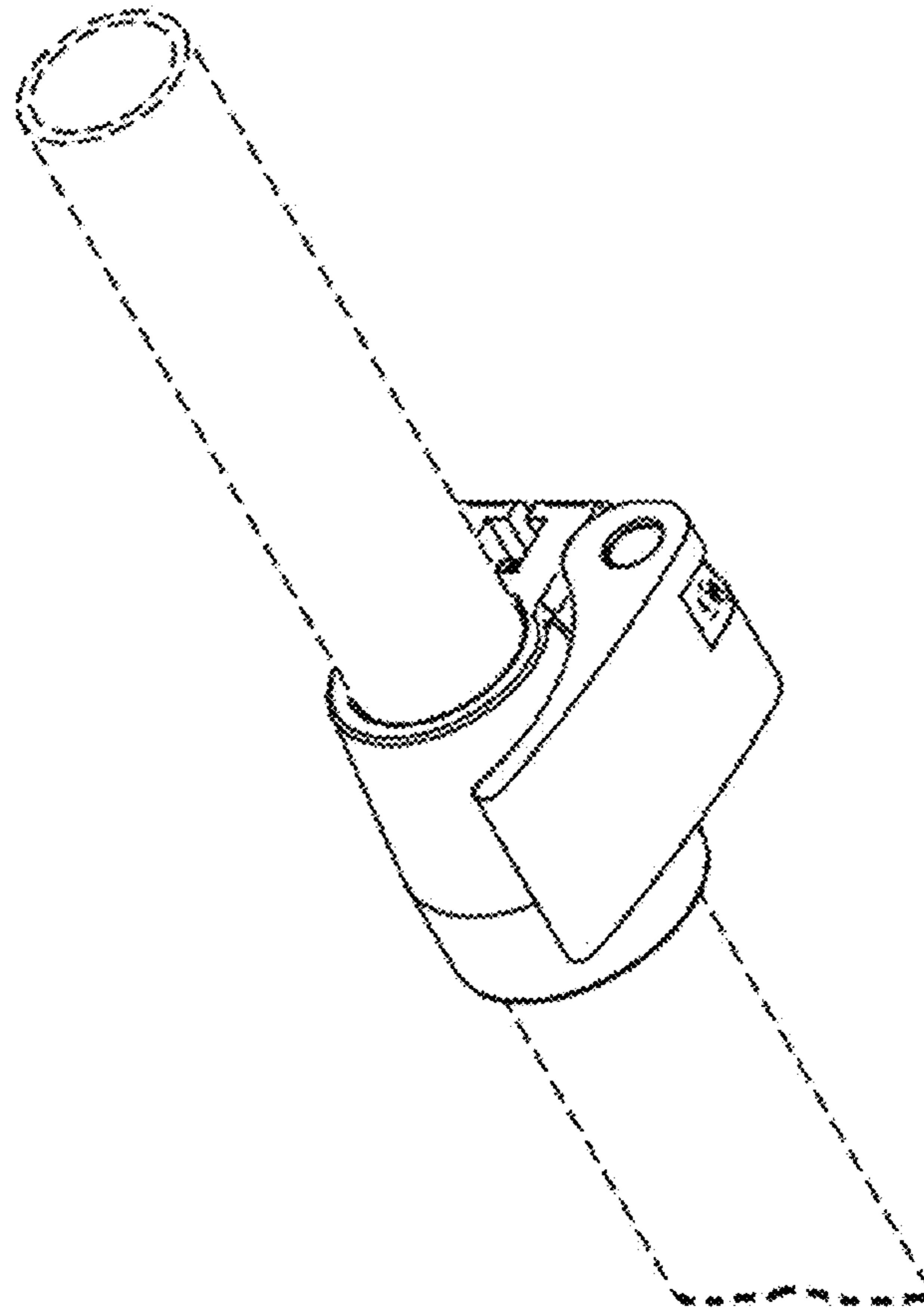


Fig. 1

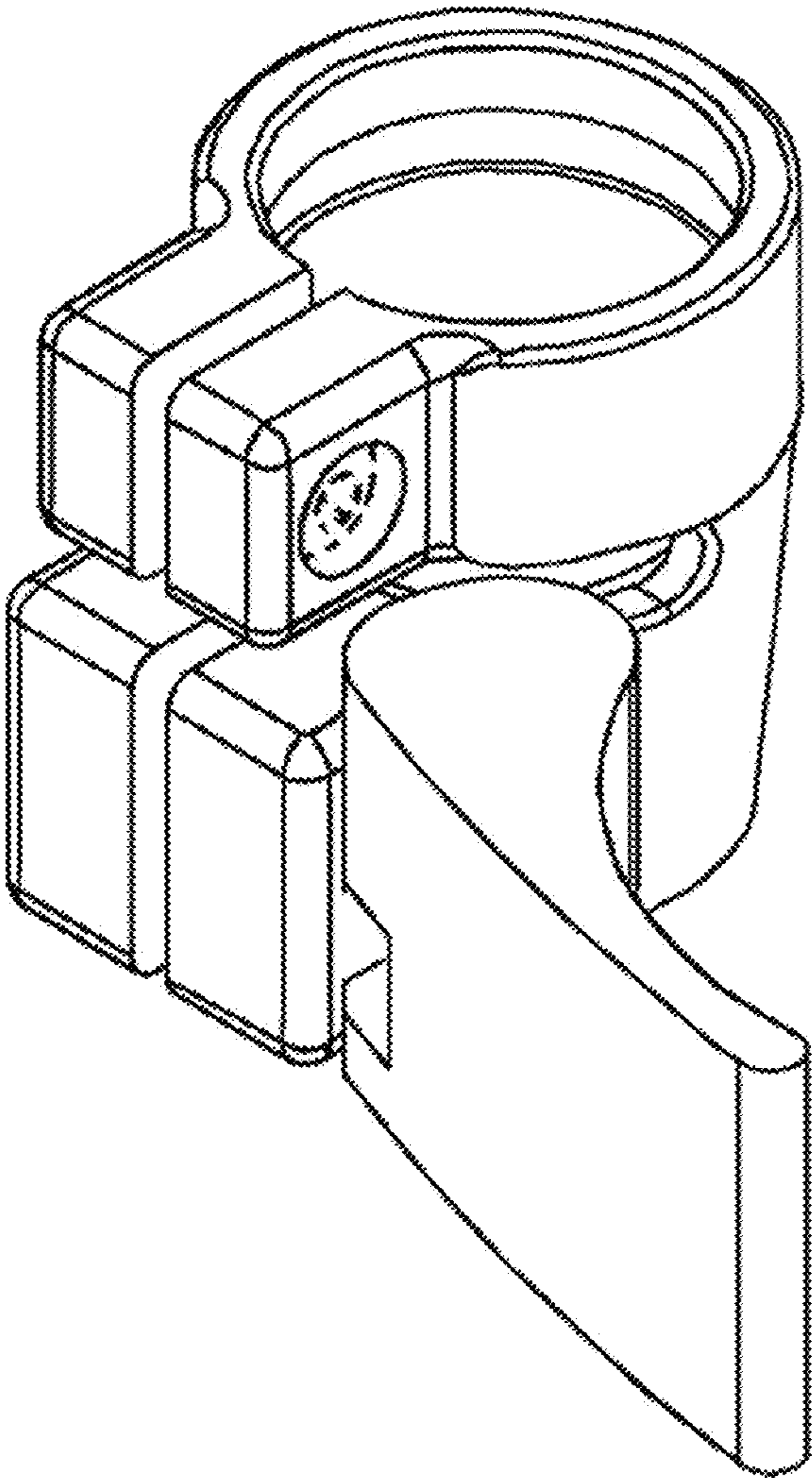


Fig. 2

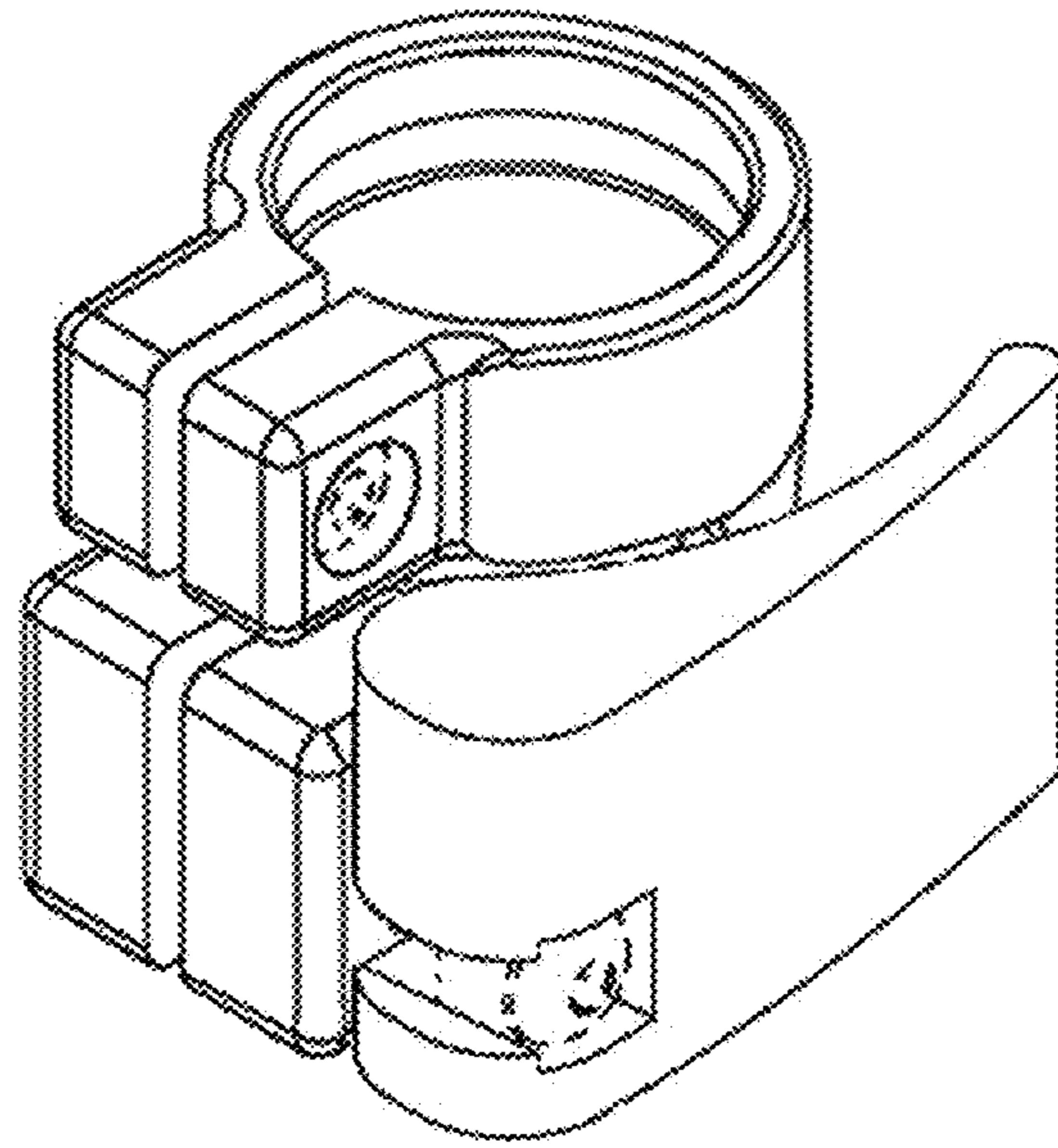


Fig. 3

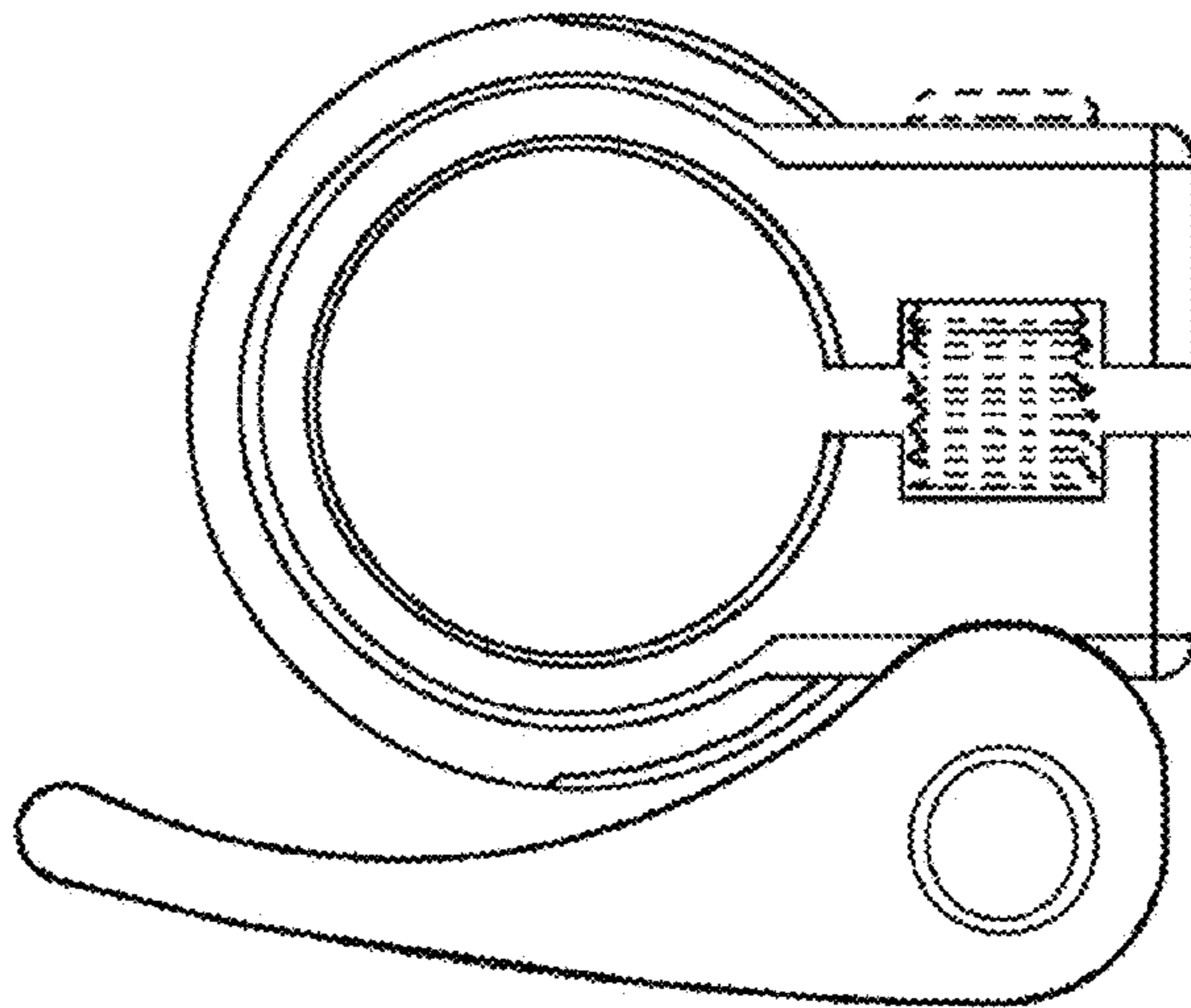


Fig. 4

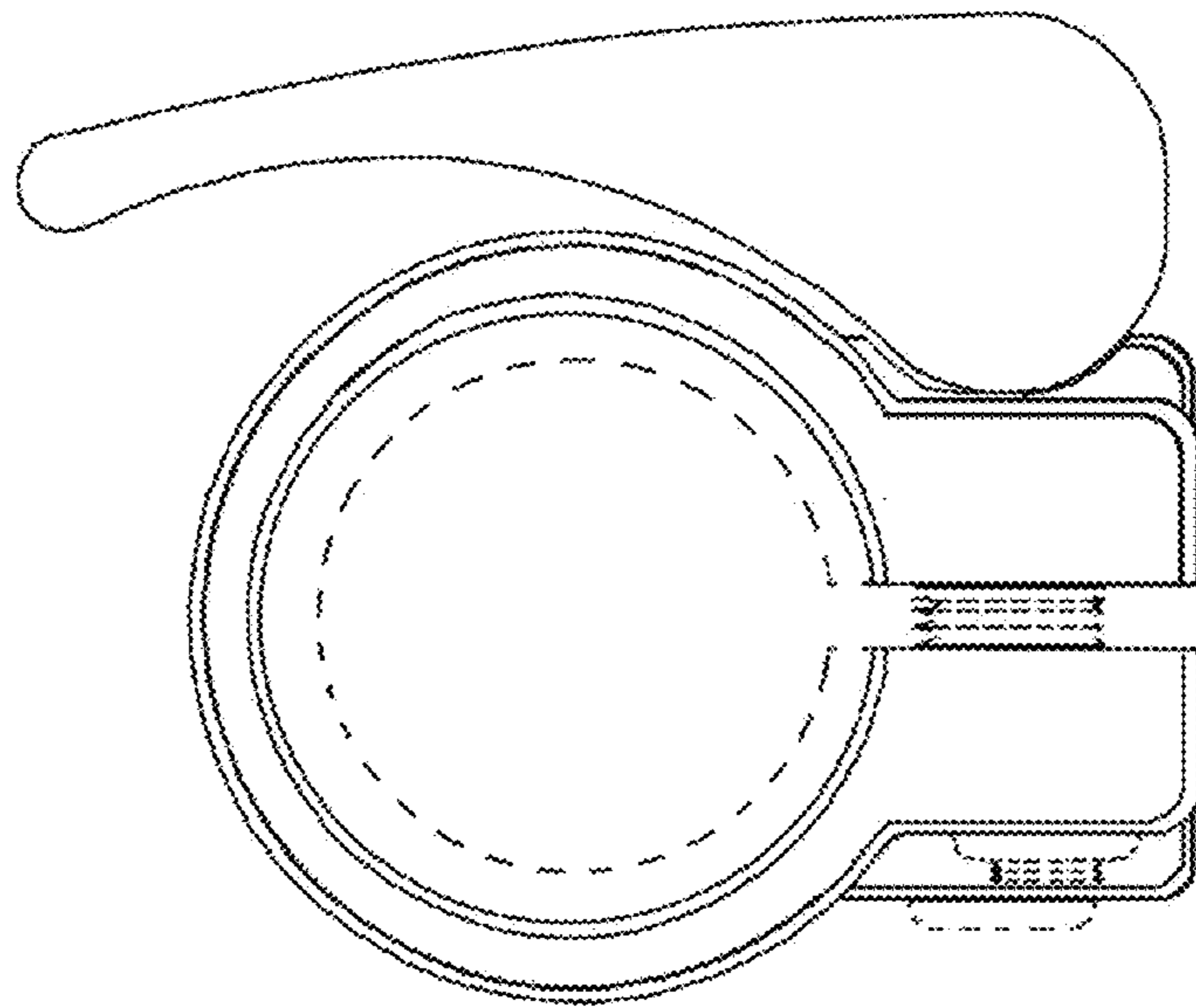


Fig. 5

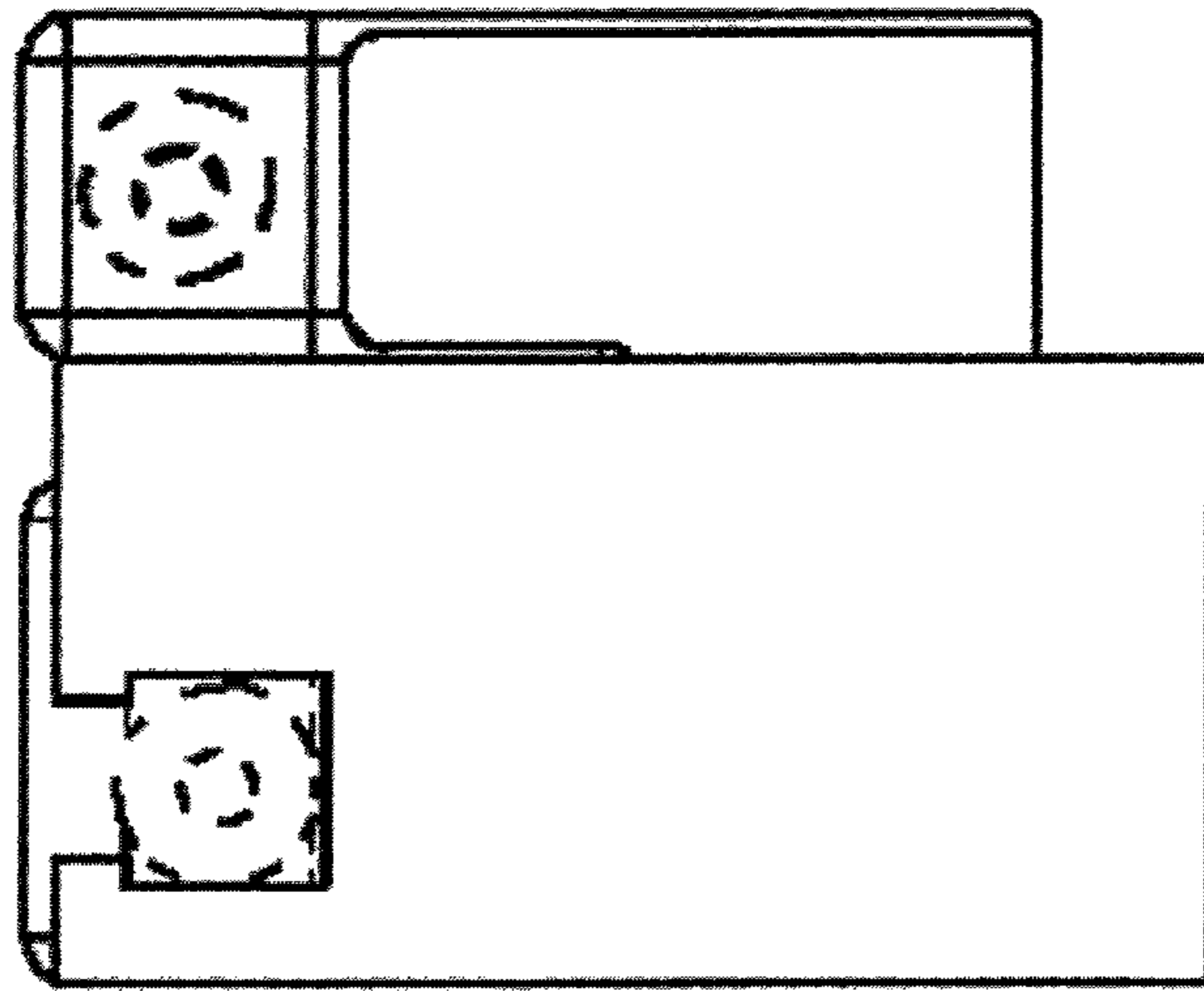


Fig. 6