



US00D712729S

(12) **United States Design Patent**
Cushing

(10) **Patent No.:** **US D712,729 S**

(45) **Date of Patent:** **** Sep. 9, 2014**

(54) **TUBE CLAMP**

(71) Applicant: **Joseph E. Cushing**, Olathe, KS (US)

(72) Inventor: **Joseph E. Cushing**, Olathe, KS (US)

(**) Term: **14 Years**

(21) Appl. No.: **29/484,815**

(22) Filed: **Mar. 13, 2014**

(51) **LOC (10) Cl.** **08-08**

(52) **U.S. Cl.**
USPC **D8/395**

(58) **Field of Classification Search**
USPC D8/354, 356, 371, 394-396; D19/65,
D19/86; D24/128; 248/74.2, 215, 227.1, 49,
248/300, 301, 316.7, 51, 489; 24/570, 3.12;
D32/61; D11/78.1
See application file for complete search history.

(56) **References Cited**

U.S. PATENT DOCUMENTS

944,022	A *	12/1909	Eken	24/555
2,018,198	A *	10/1935	Baggett	24/555
2,428,731	A *	10/1947	Abrams	49/490.1
3,807,675	A *	4/1974	Seckerson et al.	248/73
4,094,483	A *	6/1978	Busch	248/73
D257,325	S *	10/1980	Jones	D8/400
5,039,246	A *	8/1991	Woodruff et al.	403/24
5,335,890	A *	8/1994	Pryor et al.	248/343
D359,726	S *	6/1995	Umeya et al.	D13/199
D366,609	S *	1/1996	McDonald	D8/397
5,607,131	A *	3/1997	Adams	248/215
D379,299	S *	5/1997	Fitzgibbons	D8/402
D476,555	S *	7/2003	Niwa	D8/395

D479,146	S *	9/2003	Manley	D11/78.1
D513,171	S *	12/2005	Richardson	D8/394
D559,850	S *	1/2008	Lye	D14/447
D576,478	S *	9/2008	Mead et al.	D8/395
D618,992	S *	7/2010	Rix	D8/394
D628,055	S *	11/2010	Mills	D8/382
D628,460	S *	12/2010	Seitz	D8/354
D645,865	S *	9/2011	Diehl	D14/432
D655,150	S *	3/2012	Alderman	D8/367
D658,977	S *	5/2012	Riddell et al.	D8/394
D675,512	S *	2/2013	Gary et al.	D8/395
D690,583	S *	10/2013	Sendra-Gonzalez et al.	D8/394

* cited by examiner

Primary Examiner — John Windmuller

(74) *Attorney, Agent, or Firm* — Intellectual Property Center, LLC; Arthur K. Shaffer

(57) **CLAIM**

The ornamental design for a tube clamp, as shown and described herein.

DESCRIPTION

FIG. 1 is a top perspective view of a tube clamp showing my new design in use;

FIG. 2 is a top perspective view thereof in a different environment of use;

FIG. 3 is a front elevation view thereof not in use;

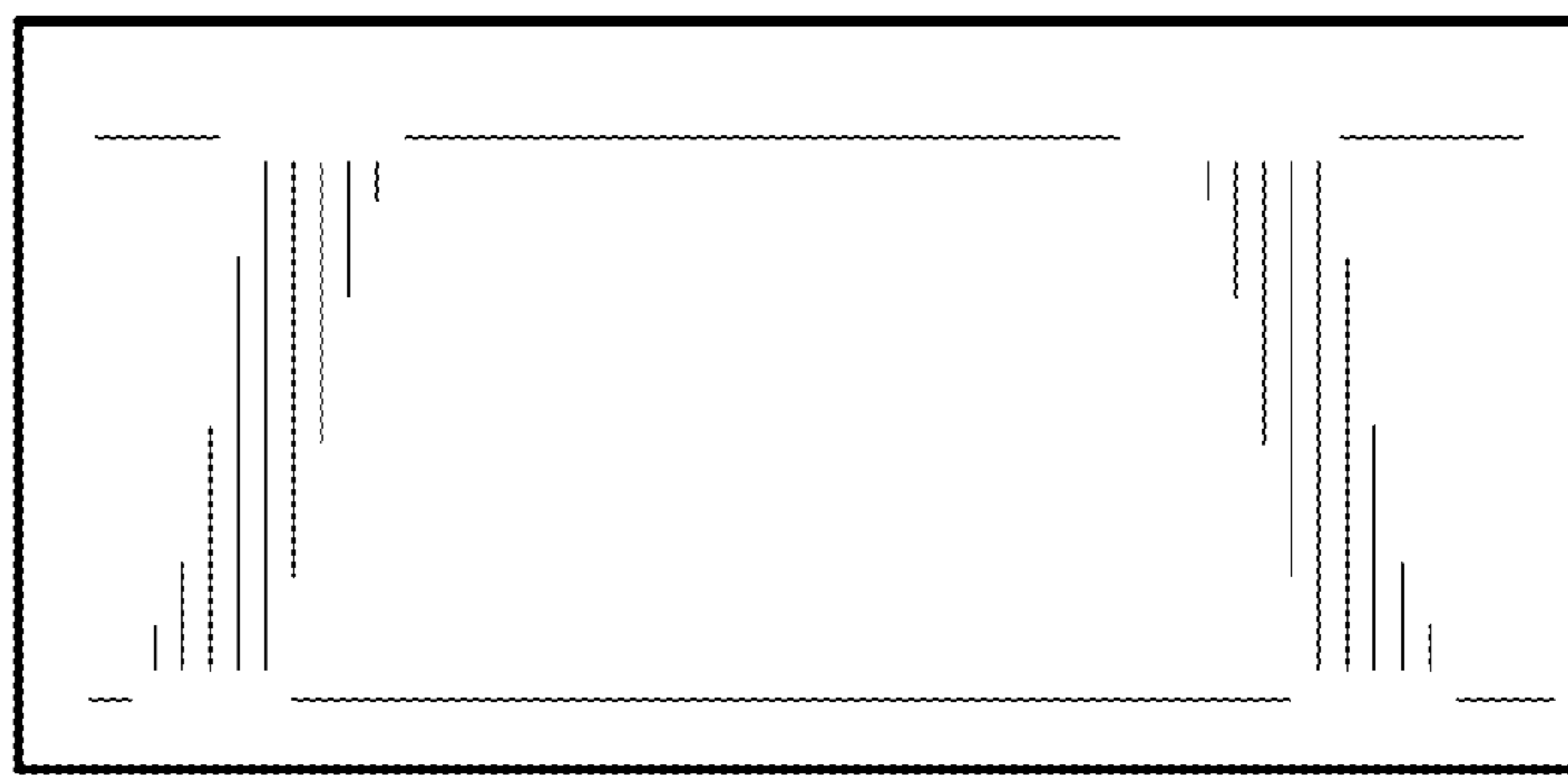
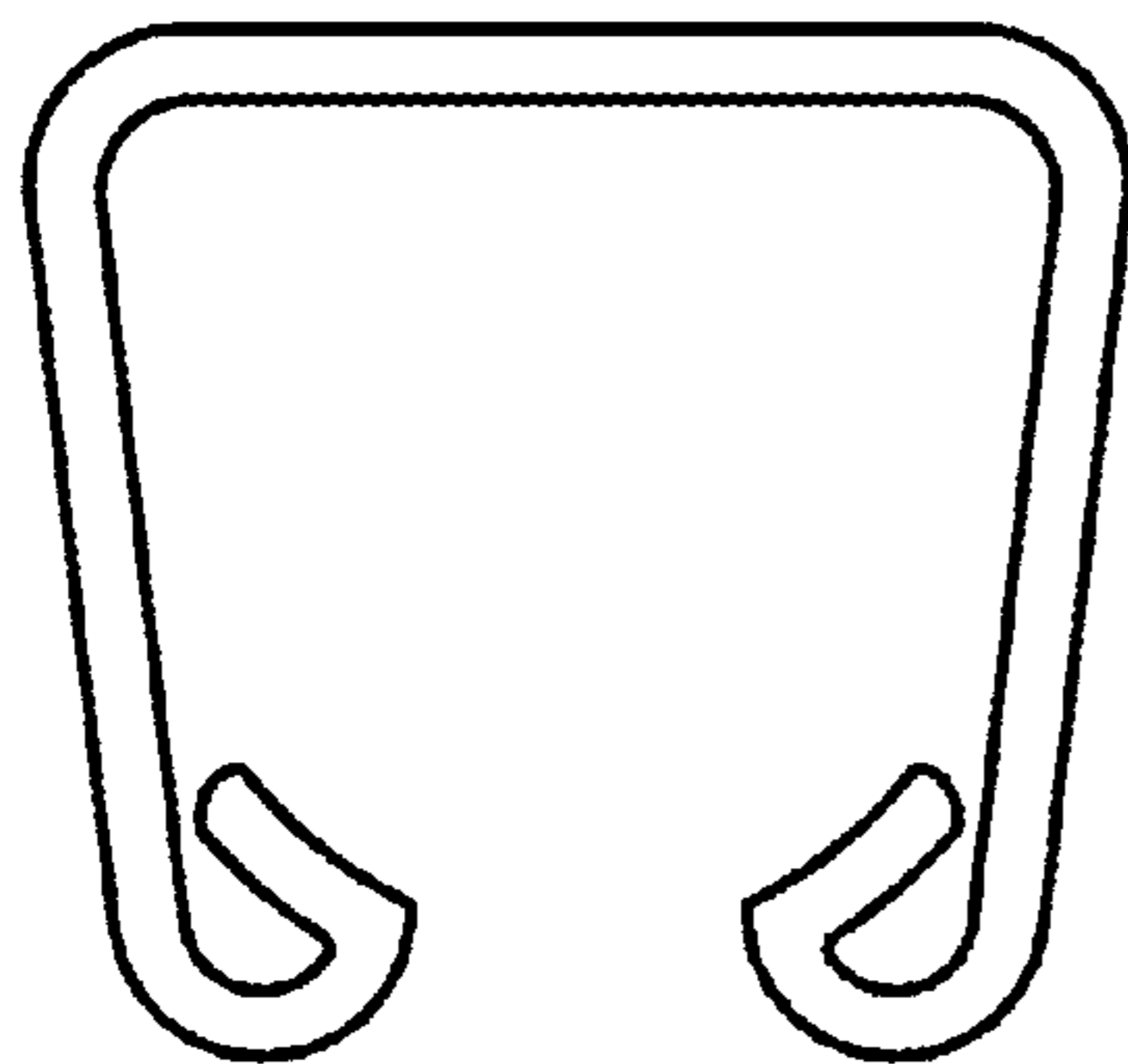
FIG. 4 is a side elevation view thereof;

FIG. 5 is a bottom plan view thereof; and,

FIG. 6 is a top plan view thereof.

The broken lines of FIGS. 1-2 are for illustrative purposes only, representing unclaimed subject matter and therefore forms no part of the claimed design.

1 Claim, 2 Drawing Sheets



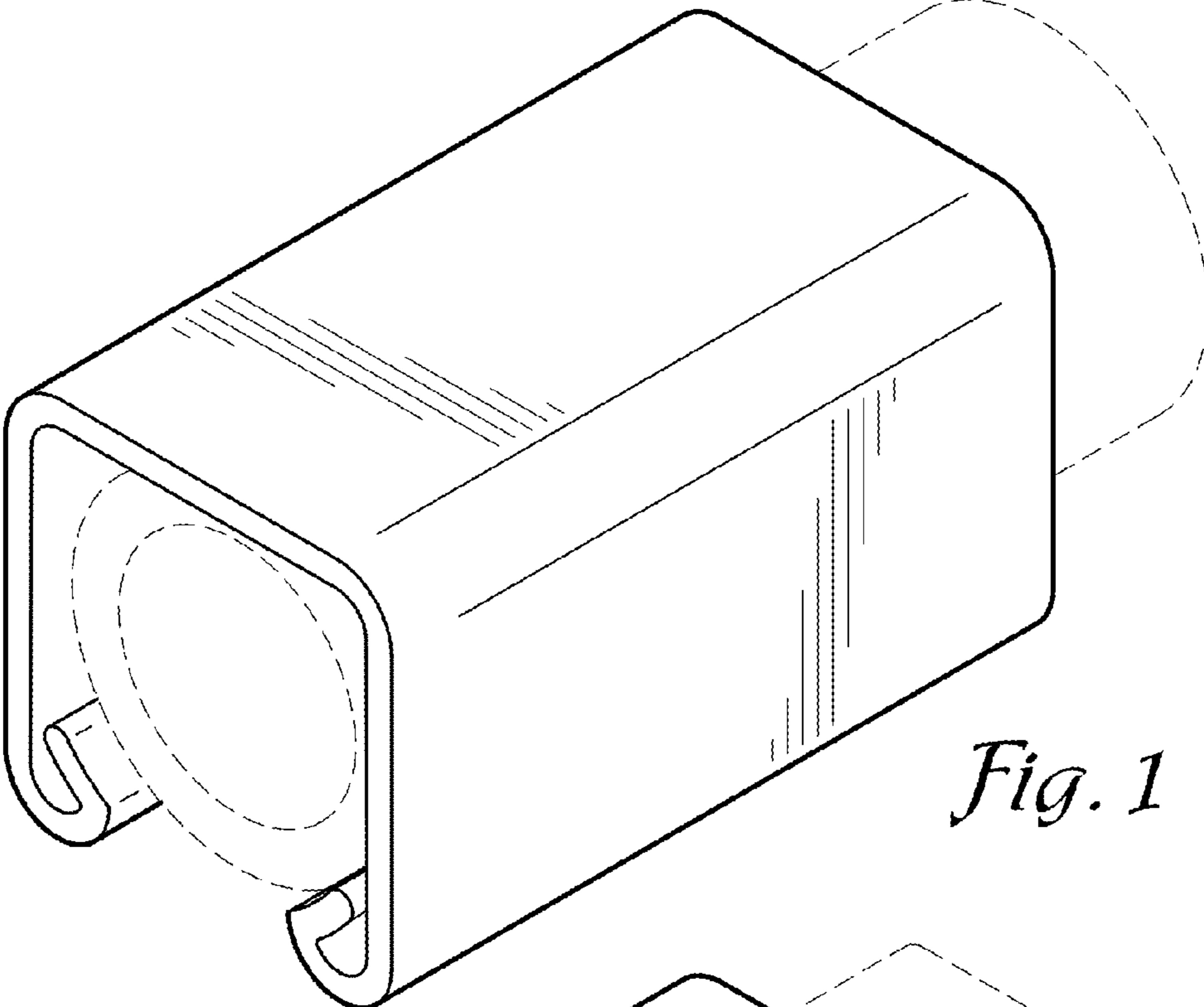


Fig. 1

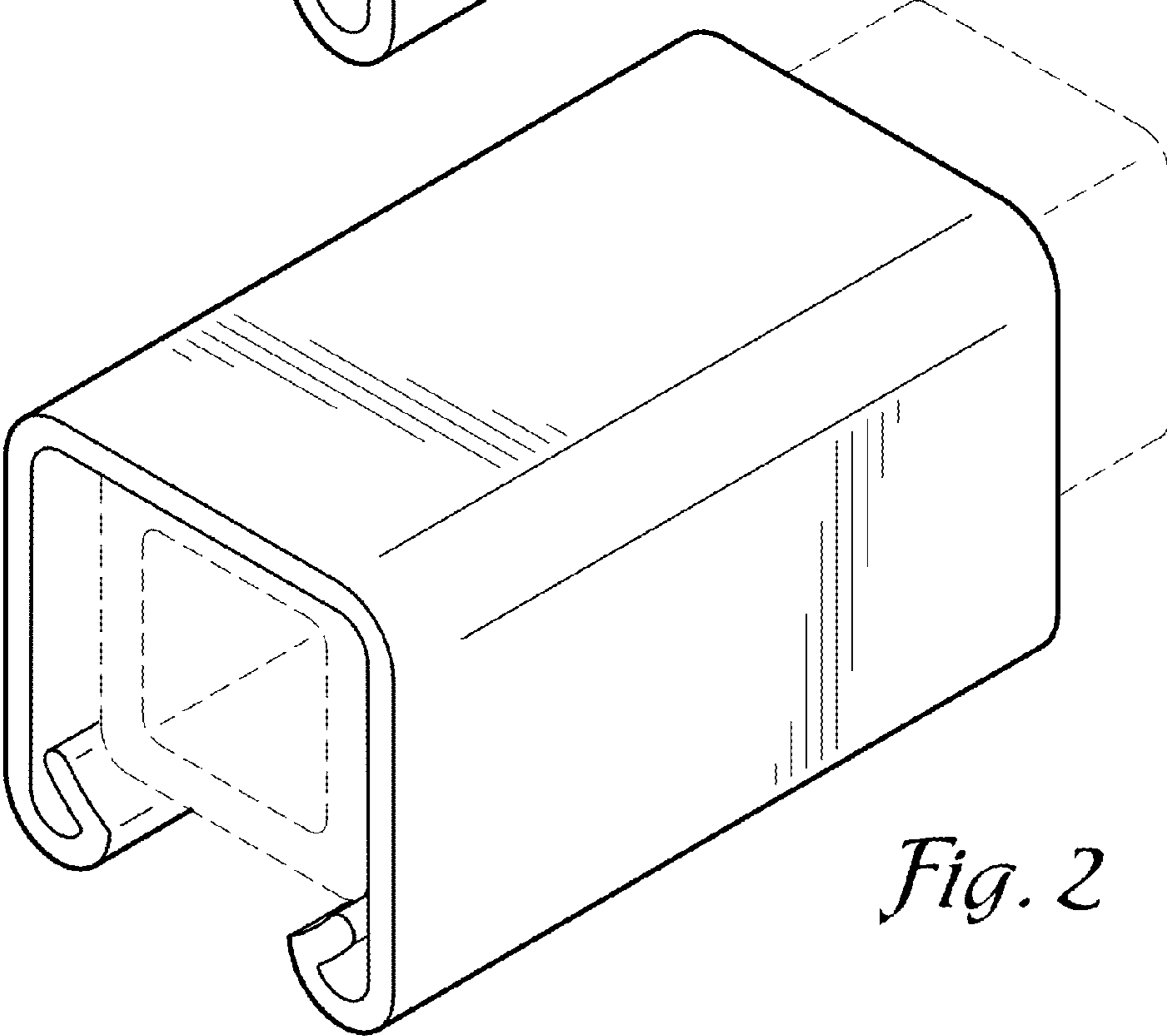


Fig. 2

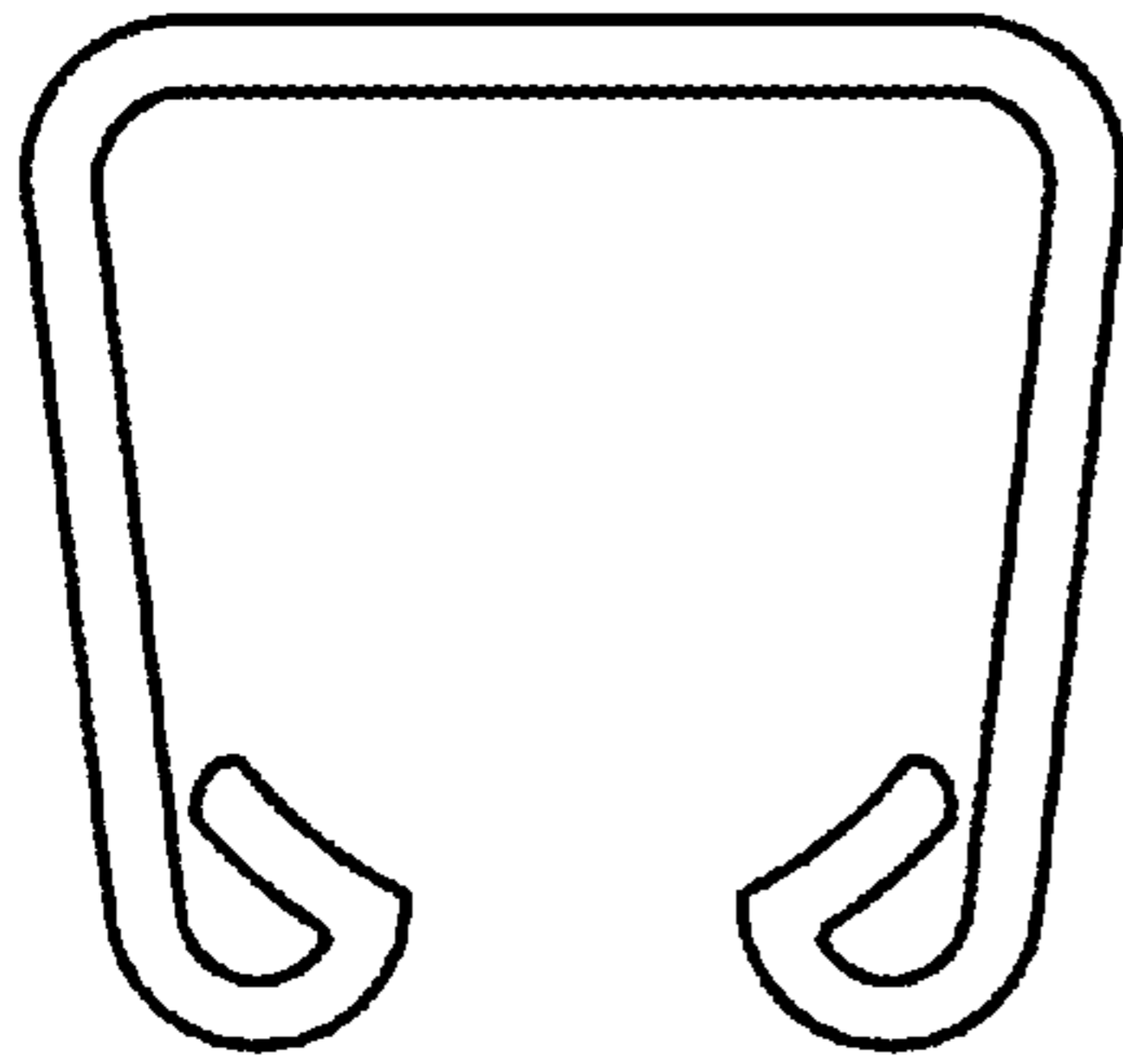


Fig. 3

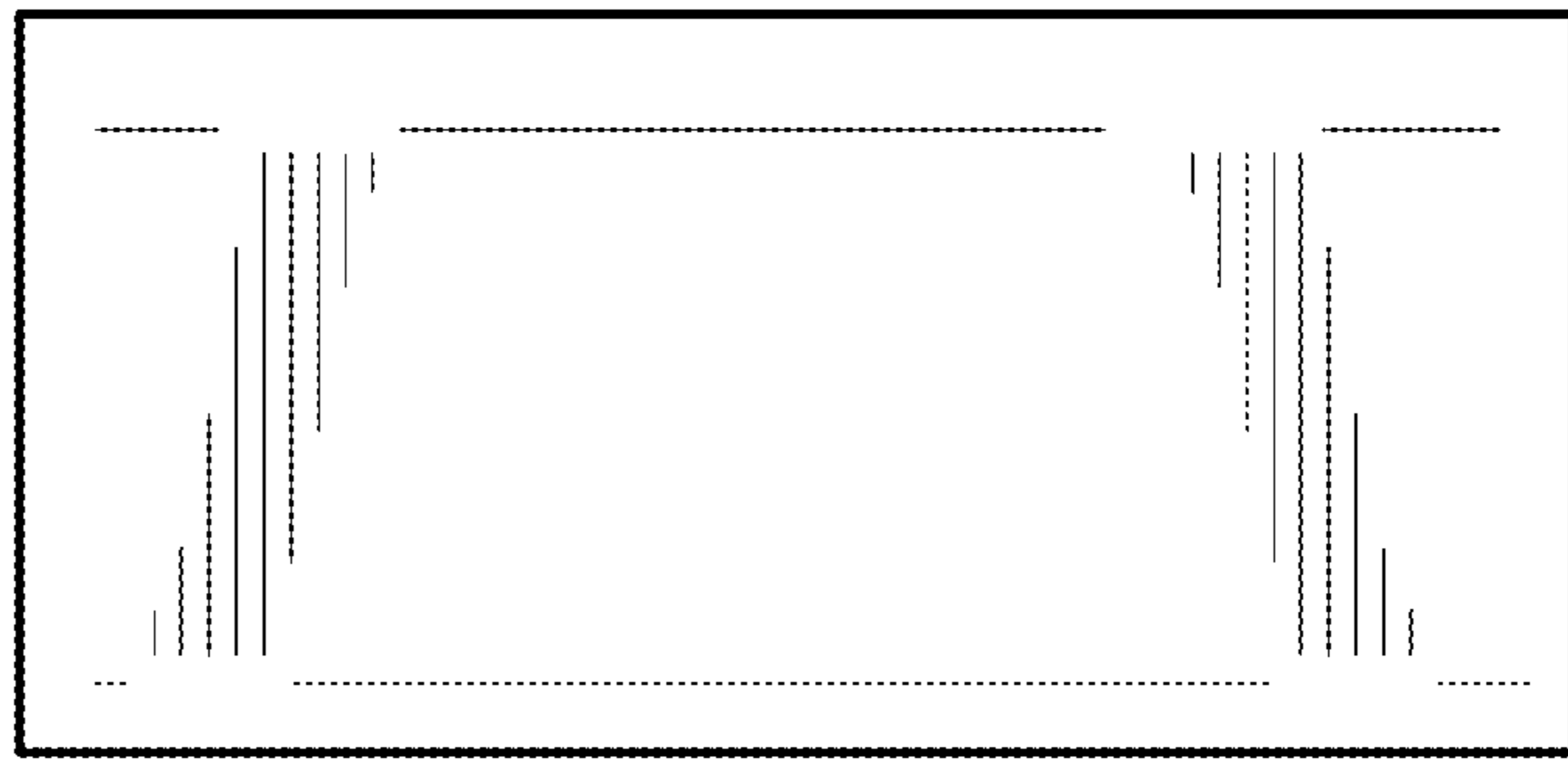


Fig. 4

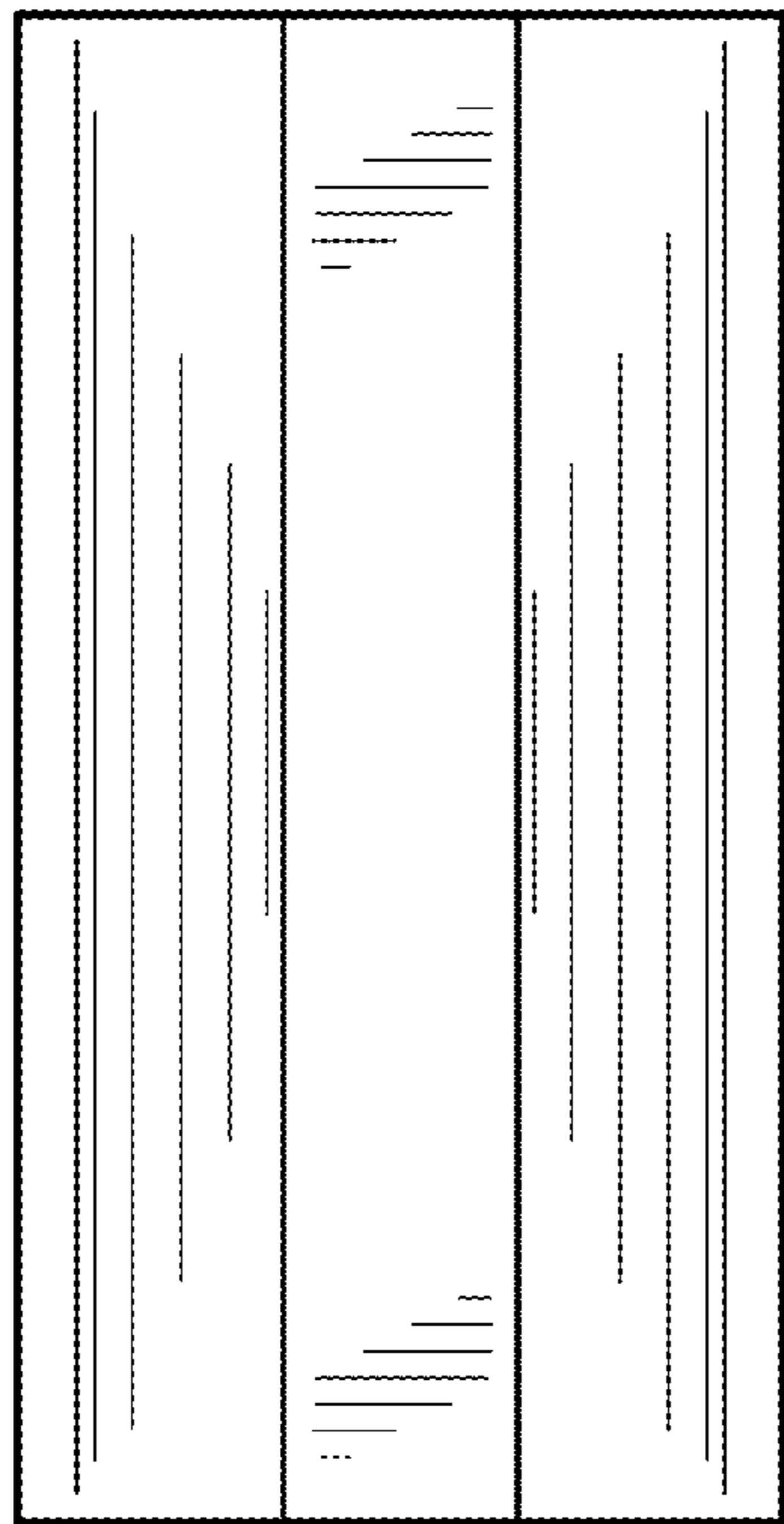


Fig. 5

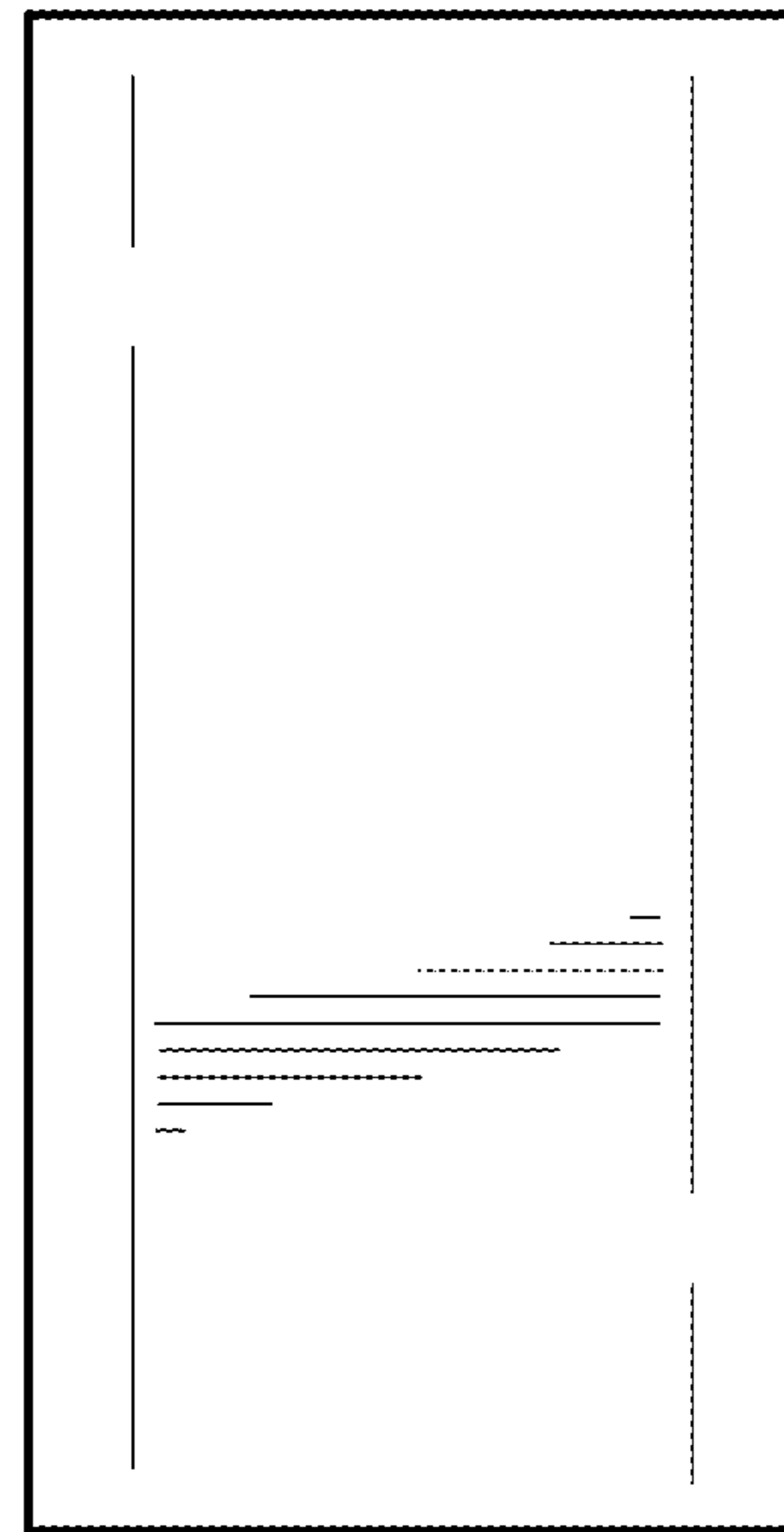


Fig. 6