



US00D712727S

(12) **United States Design Patent**
Geiger

(10) **Patent No.:** **US D712,727 S**

(45) **Date of Patent:** **** *Sep. 9, 2014**

(54) **ROLLER SHADE COUPLER**

(76) Inventor: **James Erwin Geiger**, Charleston, SC
(US)

(*) Notice: This patent is subject to a terminal disclaimer.

(**) Term: **14 Years**

(21) Appl. No.: **29/402,931**

(22) Filed: **Sep. 29, 2011**

(51) **LOC (10) Cl.** **08-08**

(52) **U.S. Cl.**
USPC **D8/382**

(58) **Field of Classification Search**
USPC D8/382, 349, 354; 248/200, 266, 267
See application file for complete search history.

(56) **References Cited**

U.S. PATENT DOCUMENTS

4,760,624 A * 8/1988 Fish 24/30.5 S
6,109,576 A * 8/2000 Szewczyk 248/200

D470,039 S * 2/2003 Pelc D8/382
D534,064 S * 12/2006 Gimpel et al. D8/382
7,267,311 B2 * 9/2007 Jung 248/266
D658,038 S * 4/2012 Ghatikar et al. D8/354
D658,039 S * 4/2012 Ghatikar et al. D8/354

* cited by examiner

Primary Examiner — Sheryl Lane

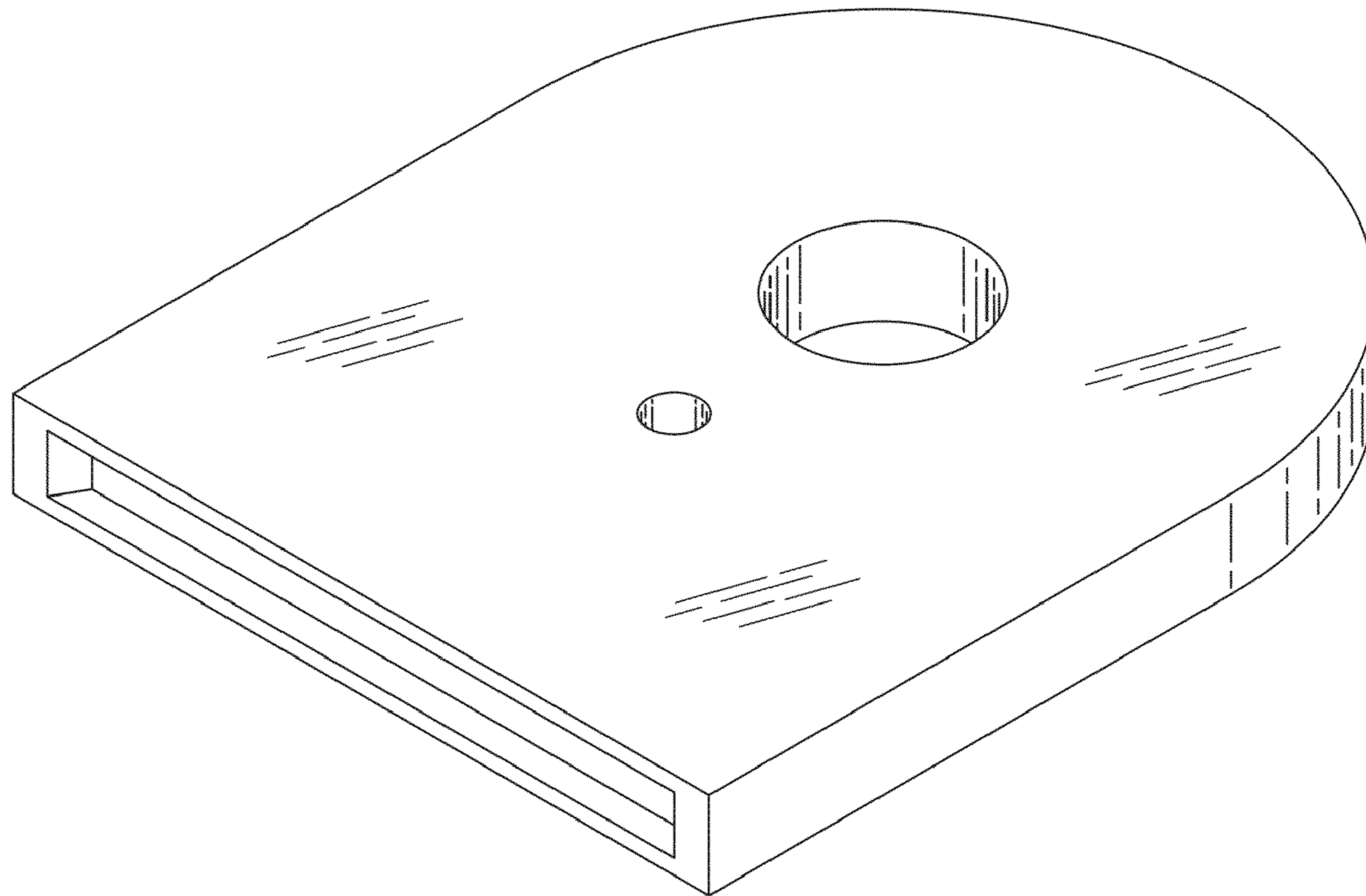
(57) **CLAIM**

The ornamental design for a roller shade coupler, as shown and described.

DESCRIPTION

FIG. 1 is a perspective view of a roller shade coupler;
FIG. 2 is a front elevational view thereof;
FIG. 3 is a rear elevational view thereof;
FIG. 4 is a right-side elevational view thereof;
FIG. 5 is a left-side elevational view thereof;
FIG. 6 is a bottom plan view thereof; and,
FIG. 7 is a top plan view thereof.

1 Claim, 5 Drawing Sheets



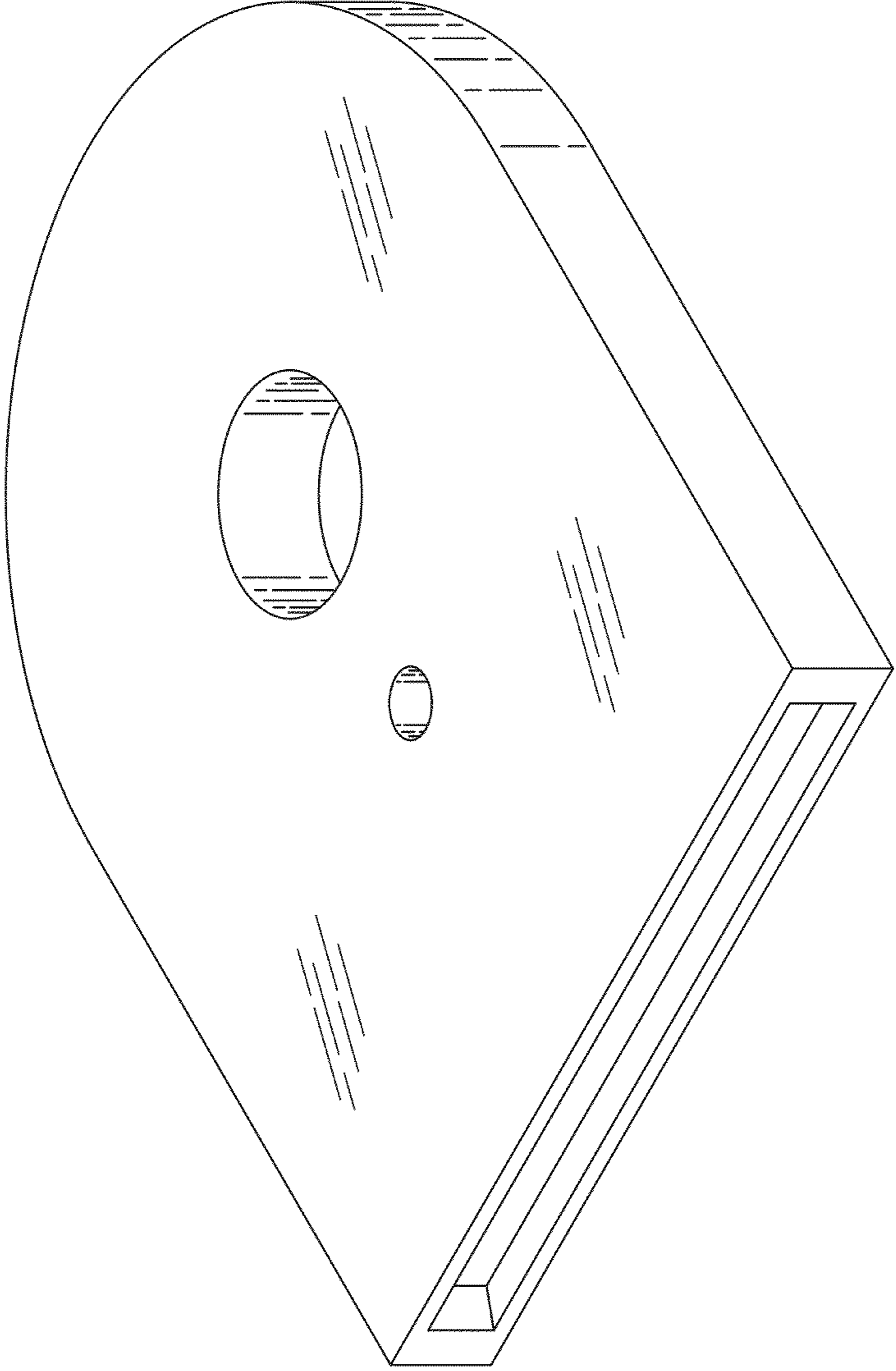


FIG. 1

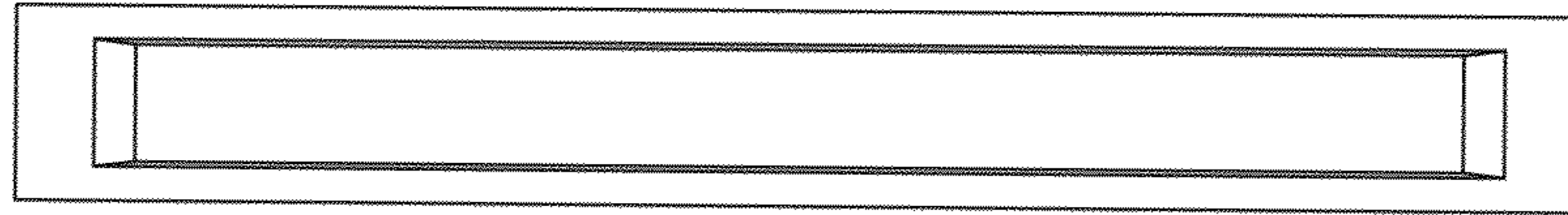


FIG. 2

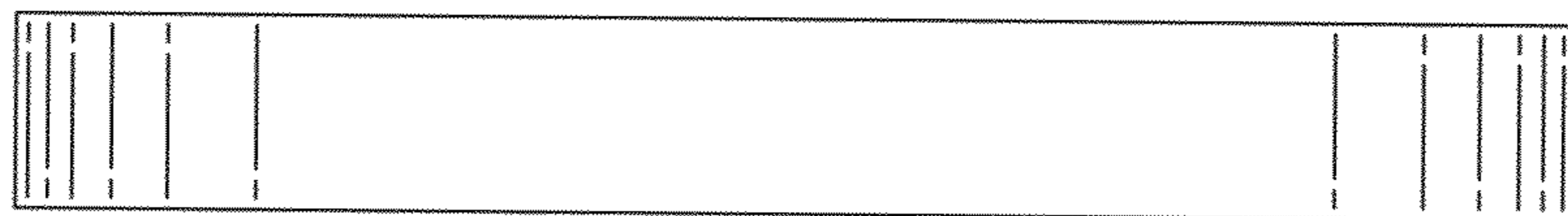


FIG. 3



FIG. 4

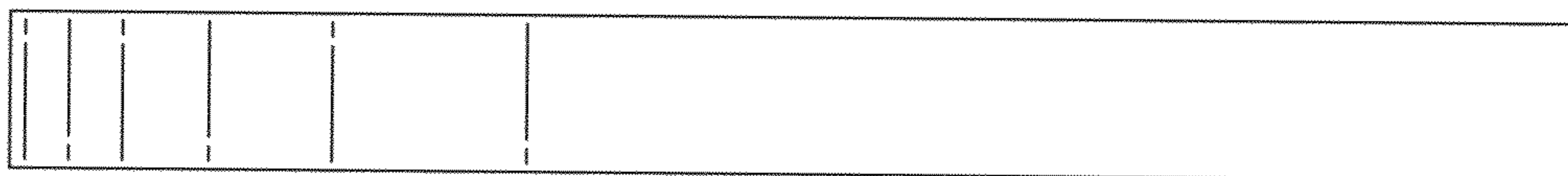


FIG. 5

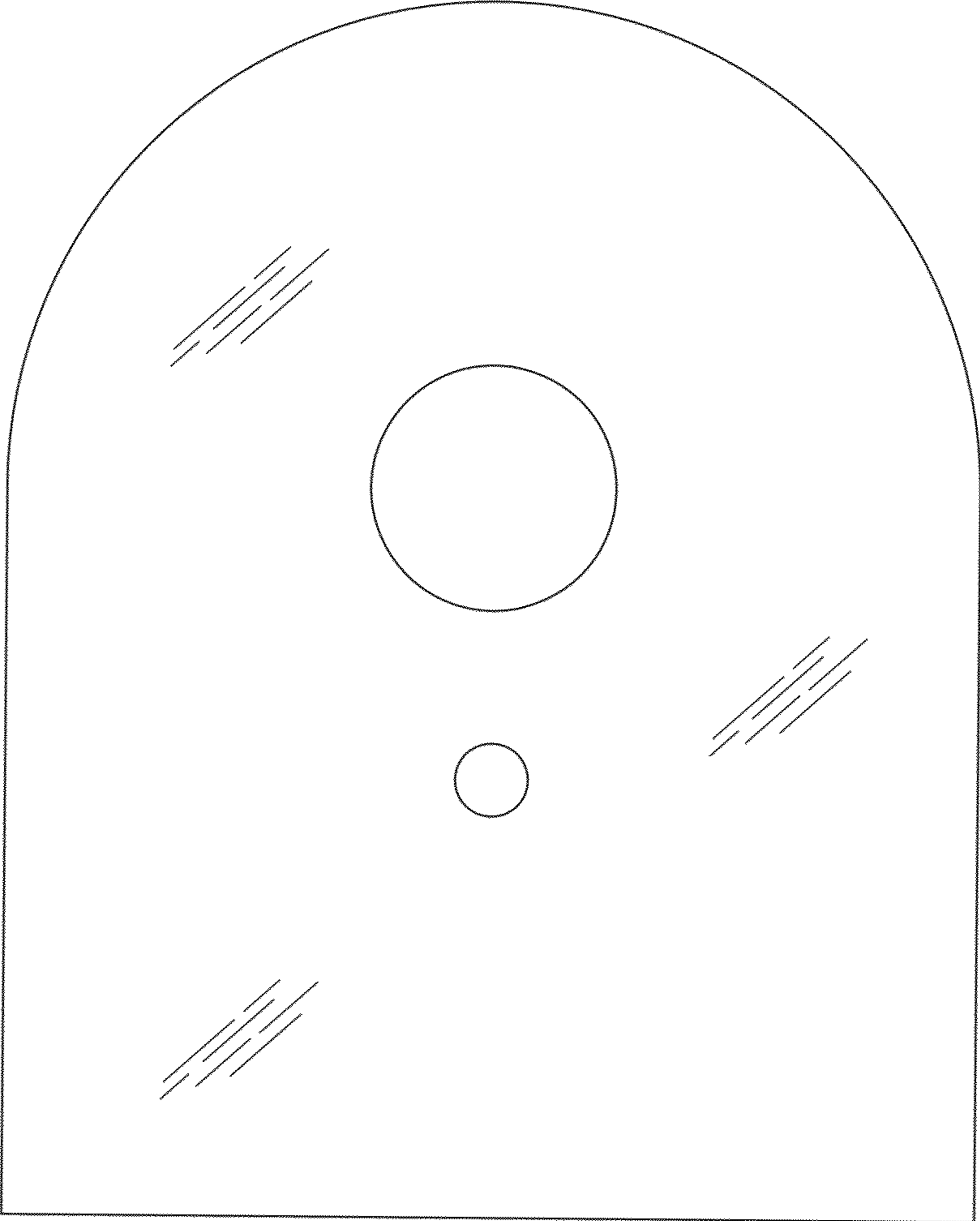


FIG. 6

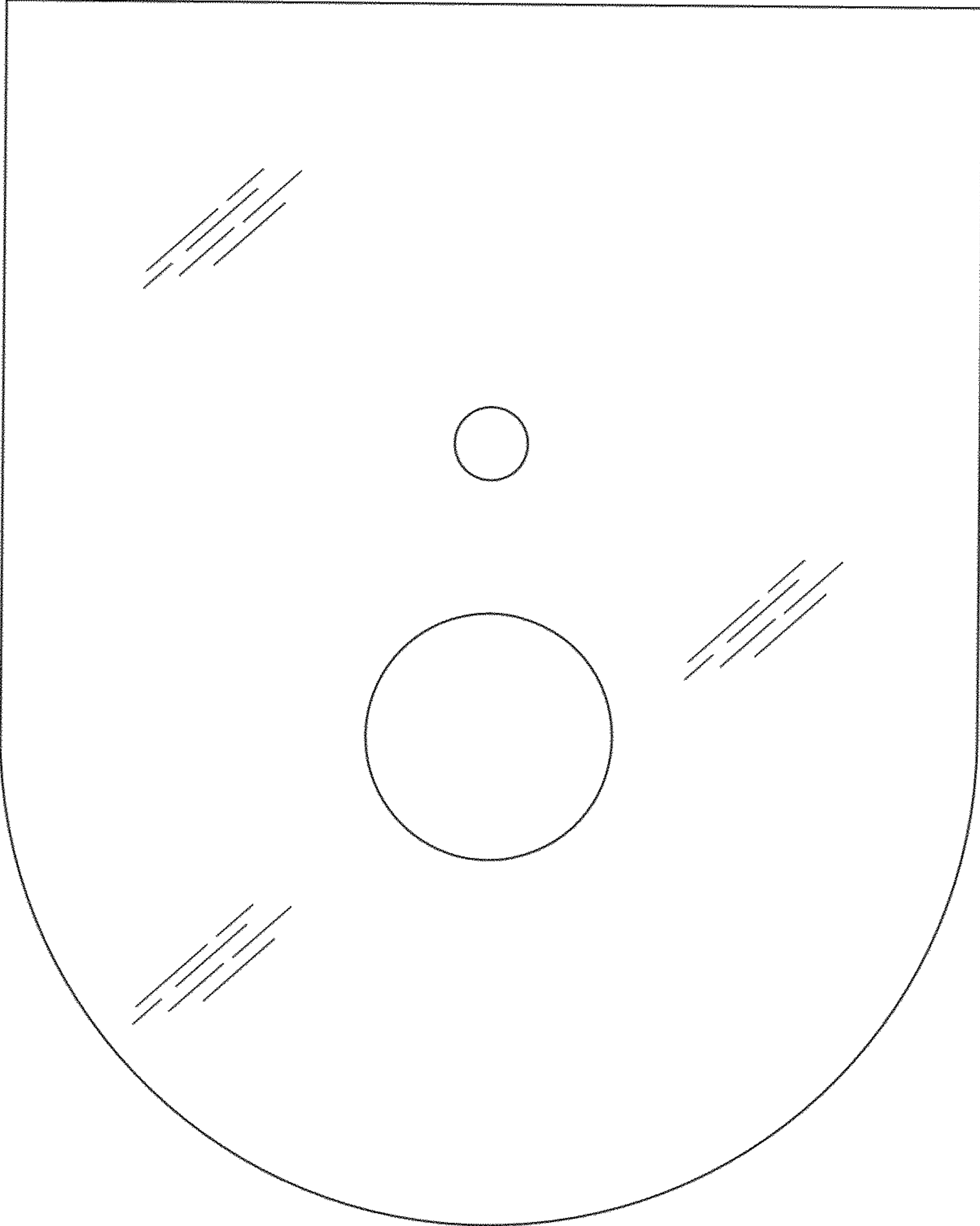


FIG. 7