



US00D712726S

(12) **United States Design Patent**
Perrin

(10) **Patent No.:** **US D712,726 S**
(45) **Date of Patent:** **** Sep. 9, 2014**

(54) **TABLE LEVELER**

Primary Examiner — Deanna L Pratt
Assistant Examiner — Ieisha Price

(71) Applicant: **Denis Perrin**, Wilton Manors, FL (US)

(72) Inventor: **Denis Perrin**, Wilton Manors, FL (US)

(57) **CLAIM**

The ornamental design for a table leveler, as shown and described.

(**) Term: **14 Years**

(21) Appl. No.: **29/482,991**

DESCRIPTION

(22) Filed: **Feb. 24, 2014**

(51) **LOC (10) Cl.** **08-05**

(52) **U.S. Cl.**
USPC **D8/374**

(58) **Field of Classification Search**

CPC A47B 91/14; A47B 91/16; A47B 91/02;
A47B 91/00
USPC D6/329, 702, 712; D8/352, 354, 374;
248/346.01–346.07, 560, 615, 637,
248/677, 678

See application file for complete search history.

FIG. 1 is a top perspective view of a table leveler incorporating the new design.

FIG. 2 is an alternate top perspective view of a table leveler incorporating the new design.

FIG. 3 is a bottom perspective view of a table leveler incorporating the new design.

FIG. 4 is an alternate bottom perspective view of a table leveler incorporating the new design.

FIG. 5 is a top plan view of a table leveler incorporating the new design.

FIG. 6 is a bottom plan view of a table leveler incorporating the new design.

FIG. 7 is a front elevational view of a table leveler incorporating the new design.

FIG. 8 is a rear elevational view of a table leveler incorporating the new design.

FIG. 9 is a side elevational view of a table leveler incorporating the new design; and,

FIG. 10 is an opposite side elevational view of a table leveler incorporating the new design.

The broken lines in the drawings illustrate portions of the table leveler which form no part of the claimed design.

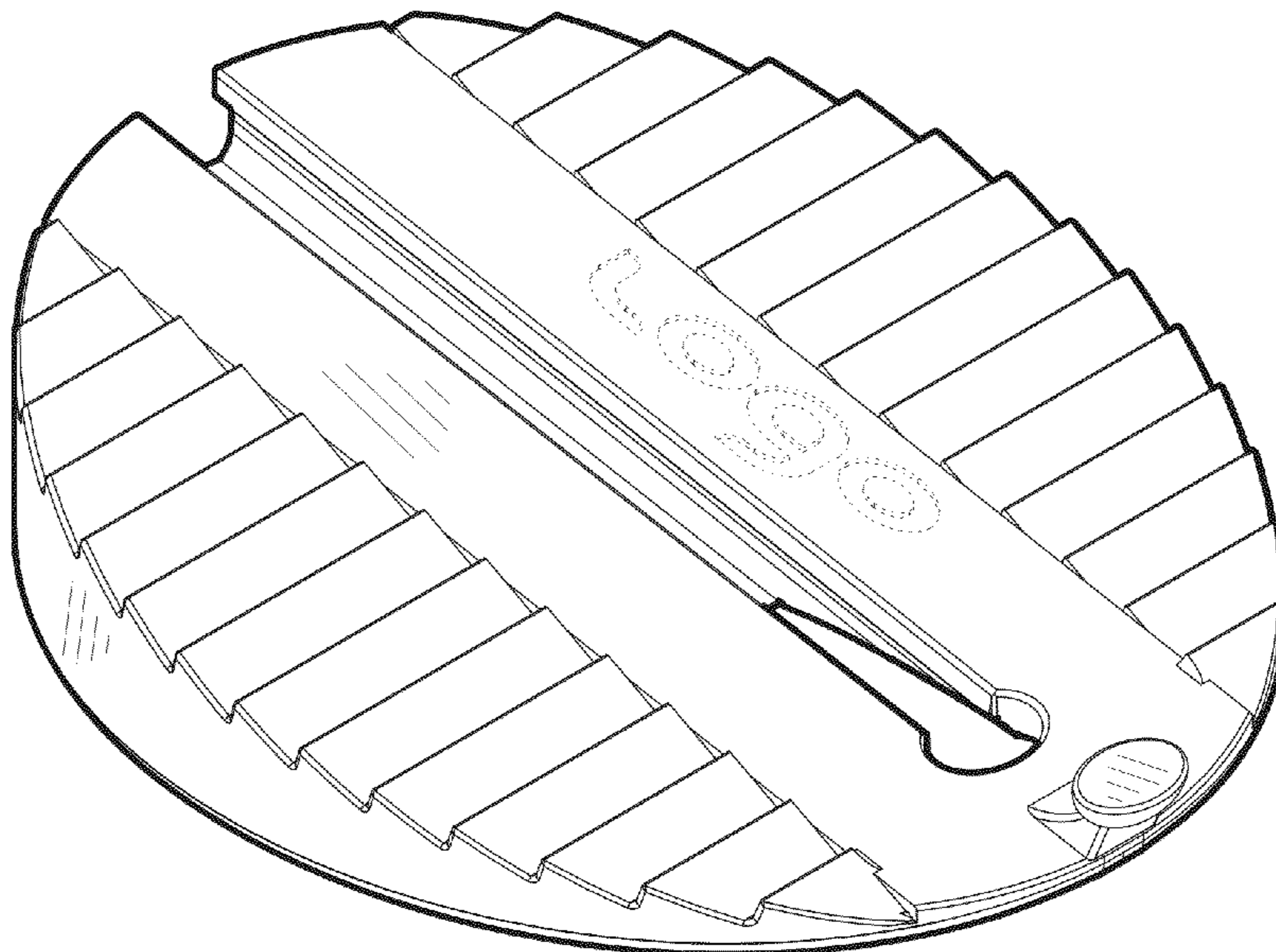
(56) **References Cited**

U.S. PATENT DOCUMENTS

4,776,548	A *	10/1988	Bezenek	248/188.2
4,830,320	A *	5/1989	Bellows	248/188.2
D538,150	S *	3/2007	Burns et al.	D8/402
D563,202	S *	3/2008	Scherer et al.	D8/349
7,784,751	B1 *	8/2010	Bellows et al.	248/188.2
D658,973	S *	5/2012	Drake	D8/349
8,297,567	B1 *	10/2012	Bellows et al.	248/188.2
D679,840	S *	4/2013	Shray et al.	D25/199
2014/0093691	A1 *	4/2014	Shray et al.	428/156

* cited by examiner

1 Claim, 10 Drawing Sheets



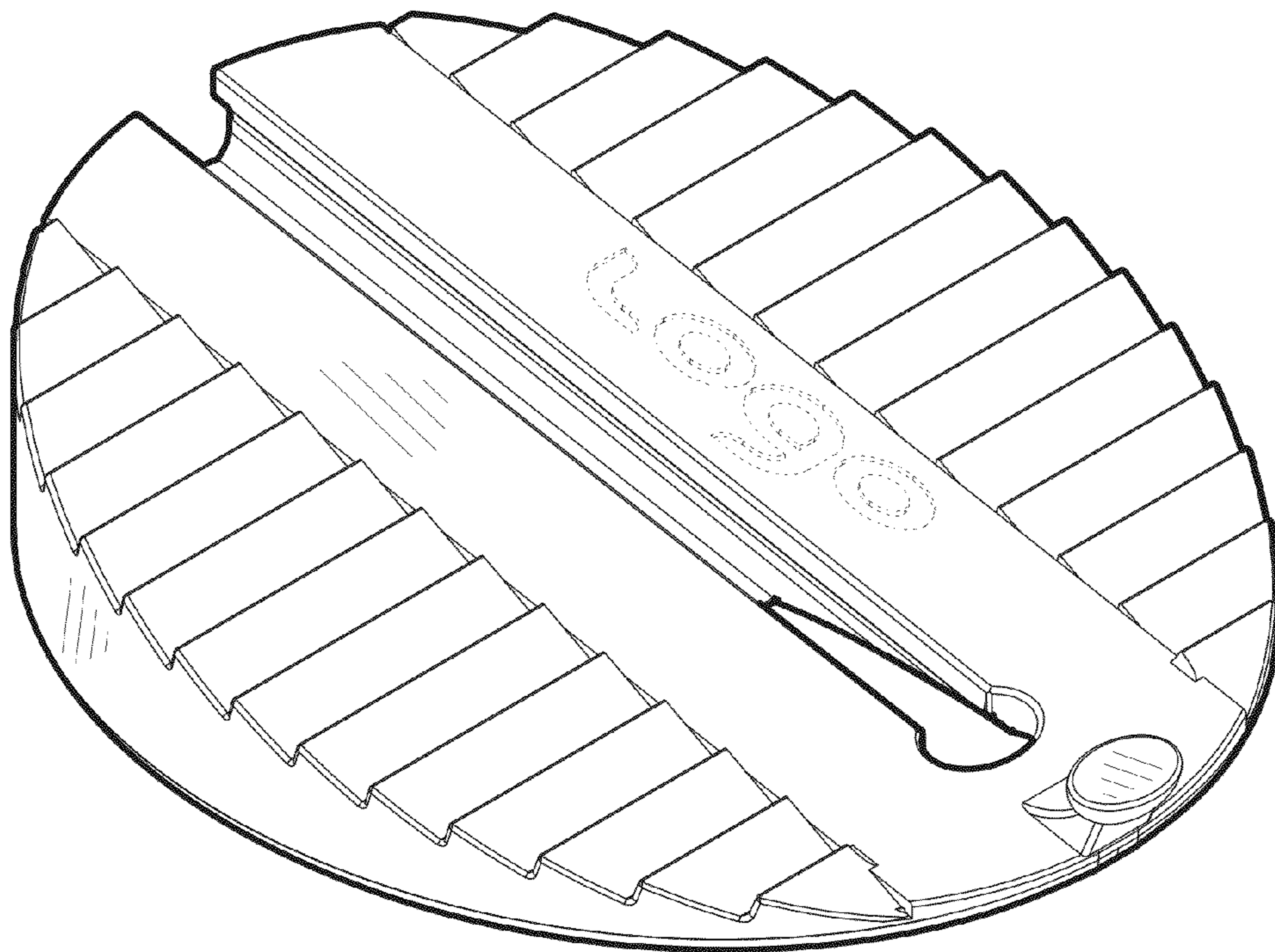


FIG. 1

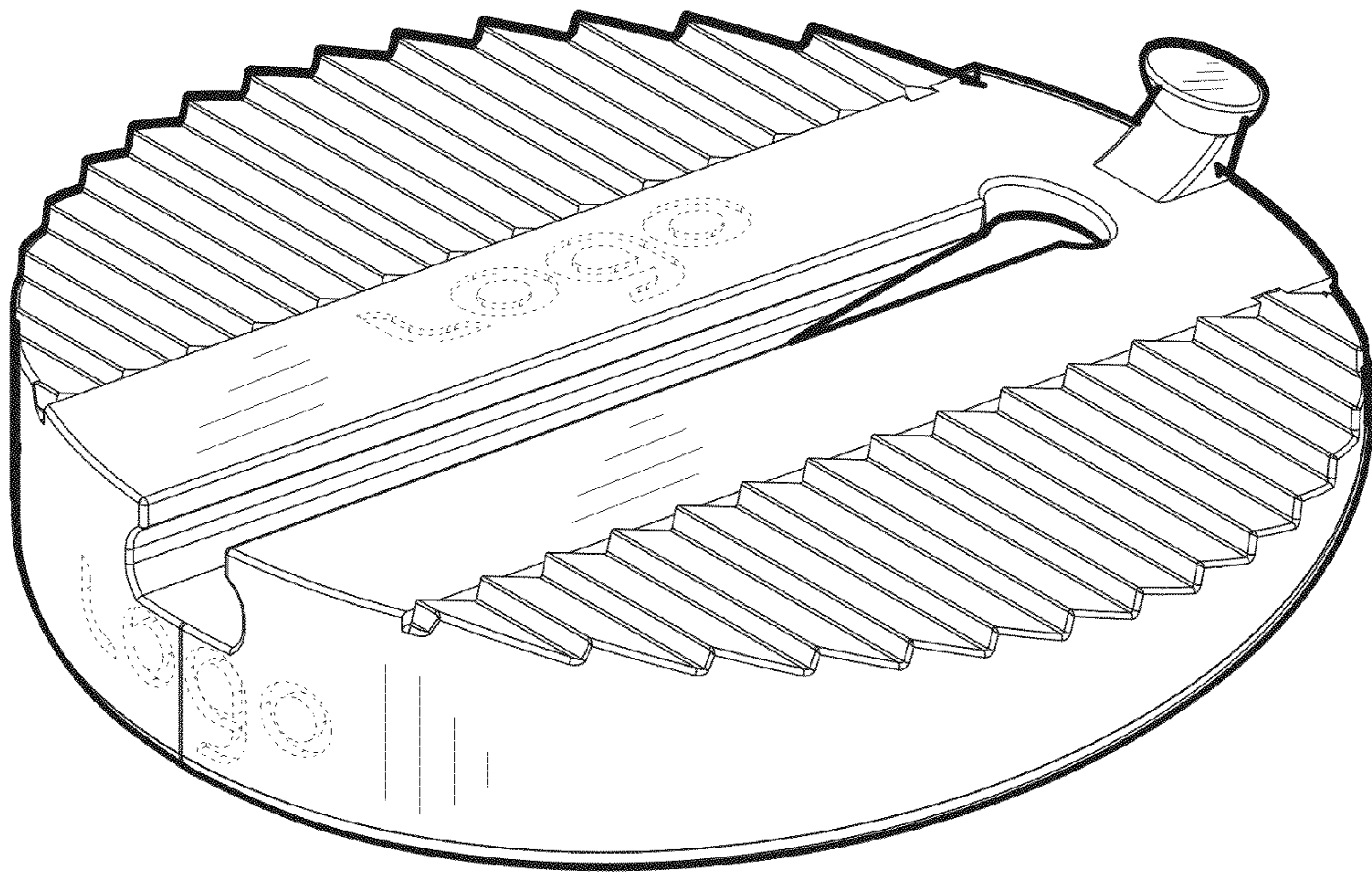


FIG. 2

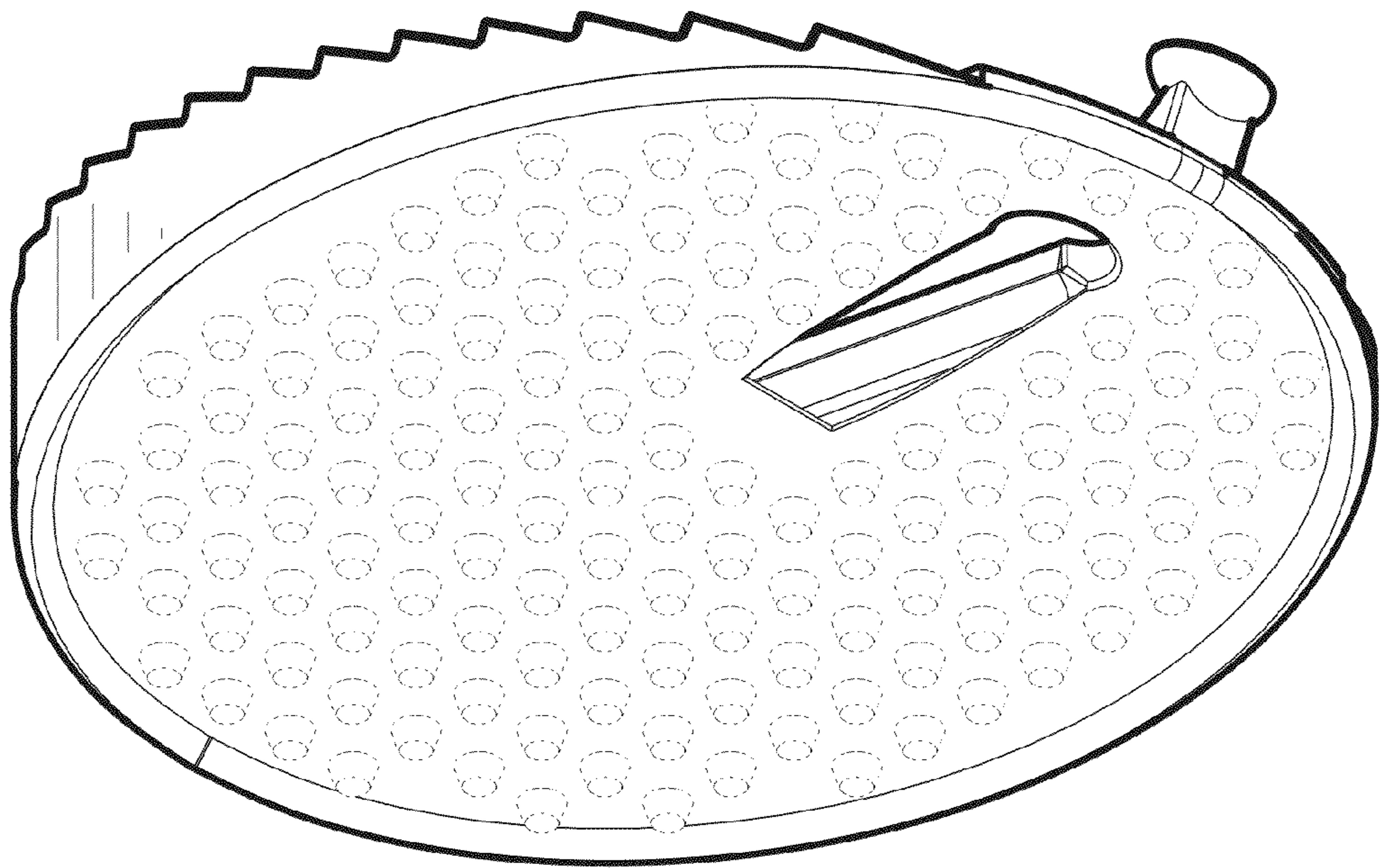


FIG. 3

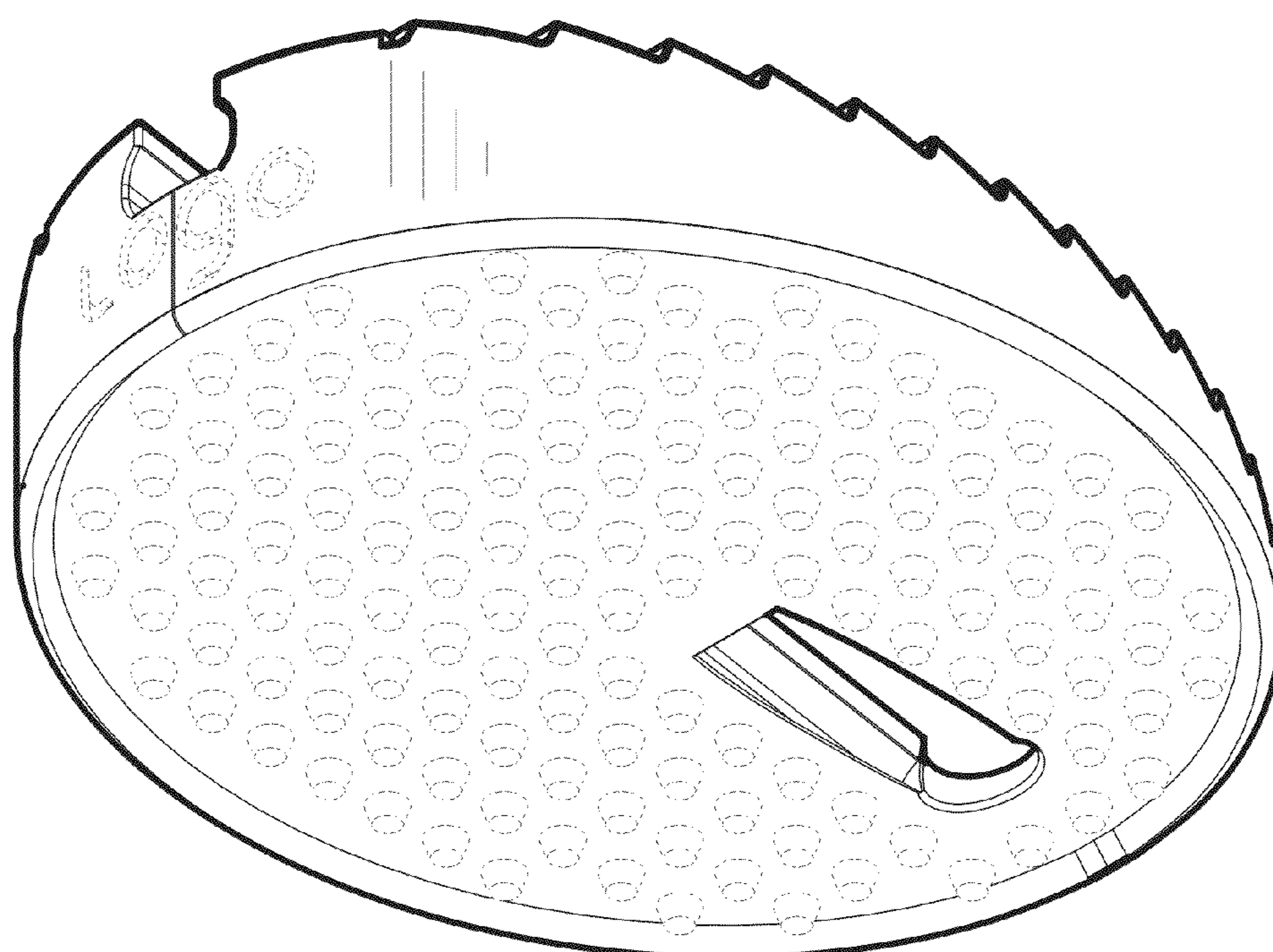


FIG. 4

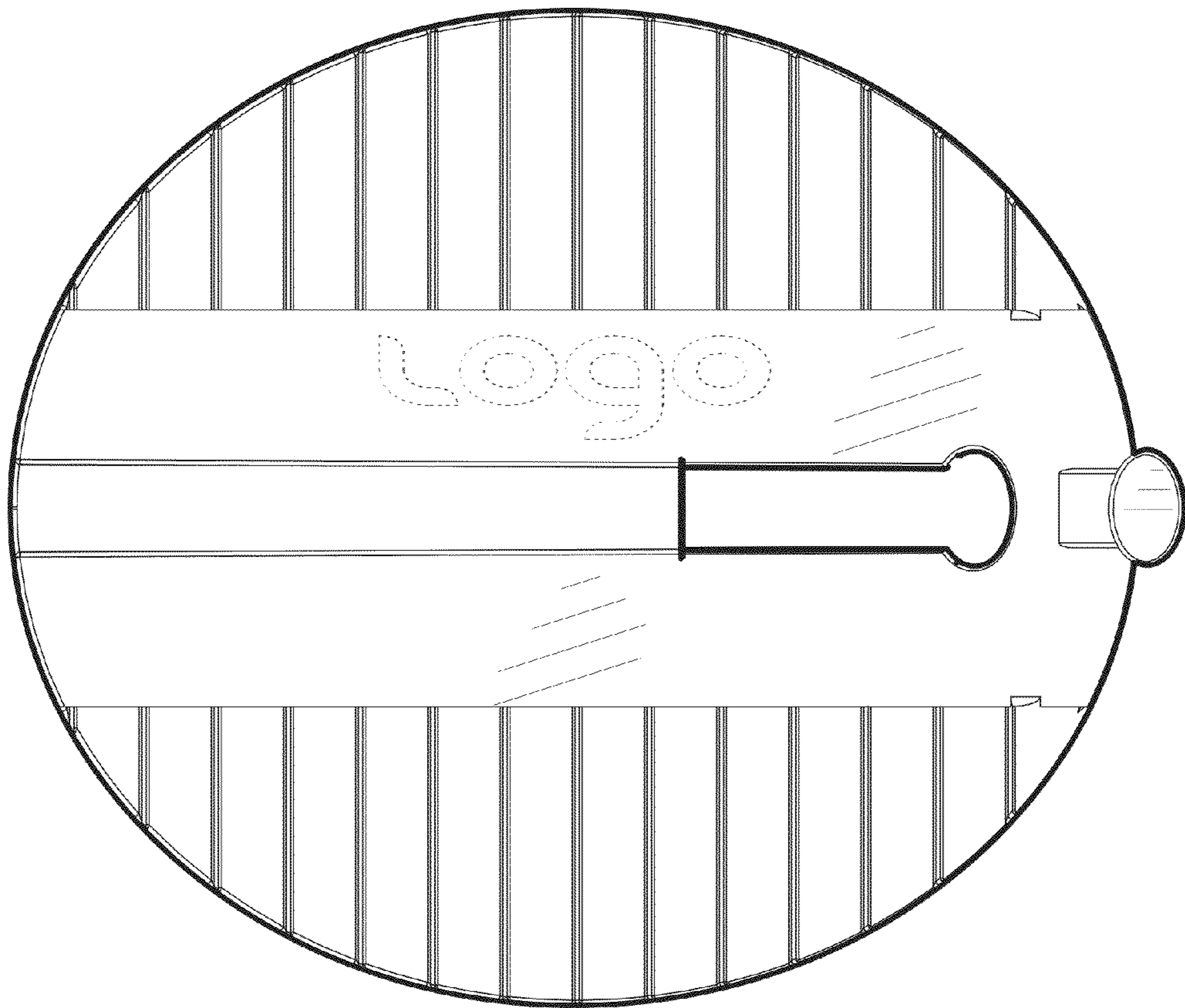


FIG. 5

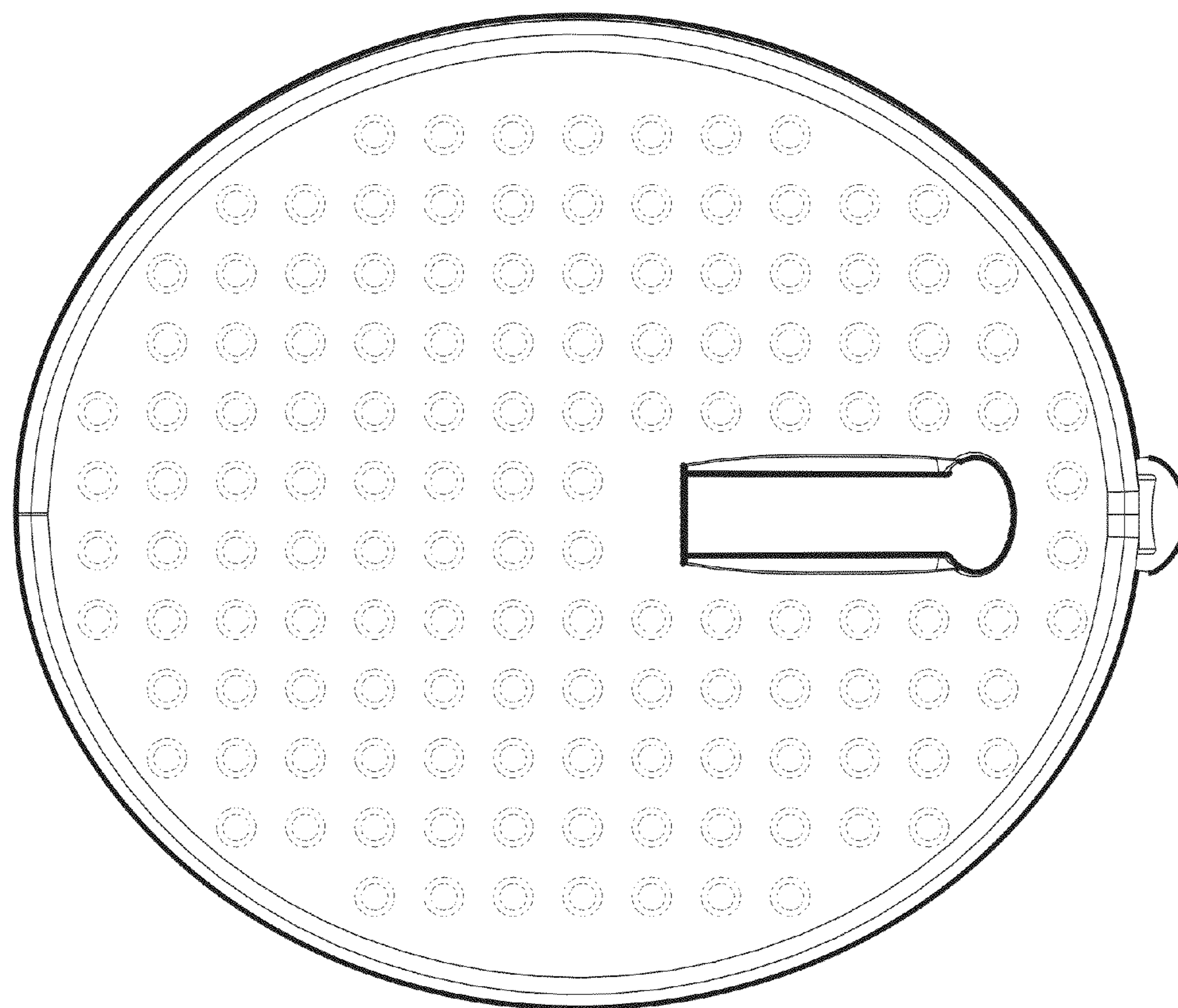


FIG. 6

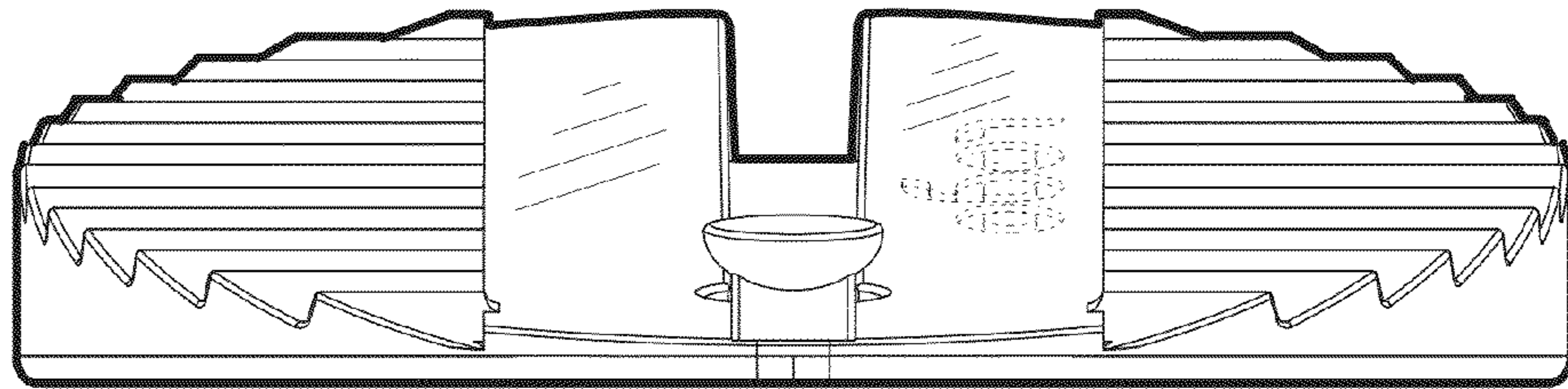


FIG. 7

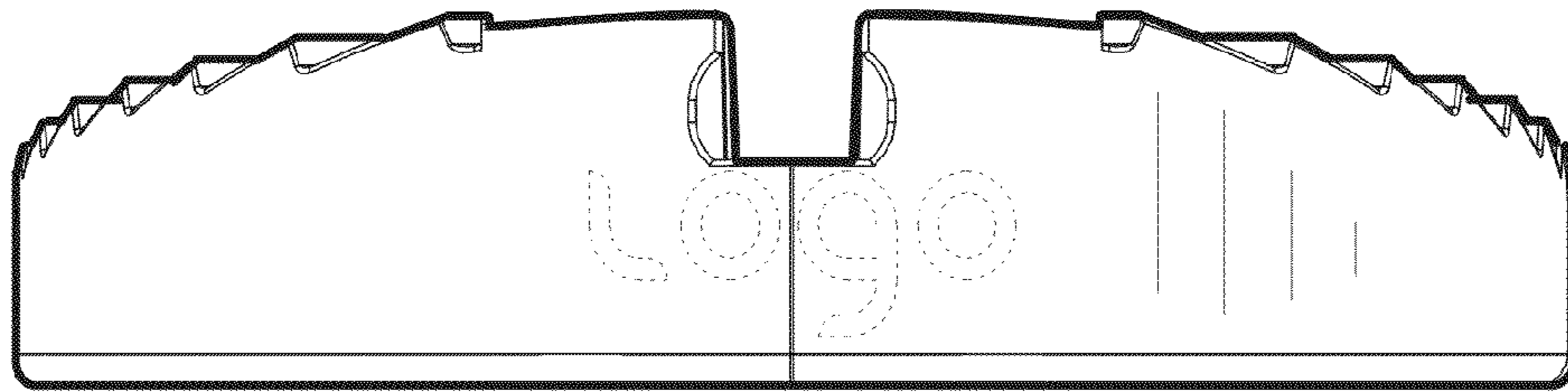


FIG. 8

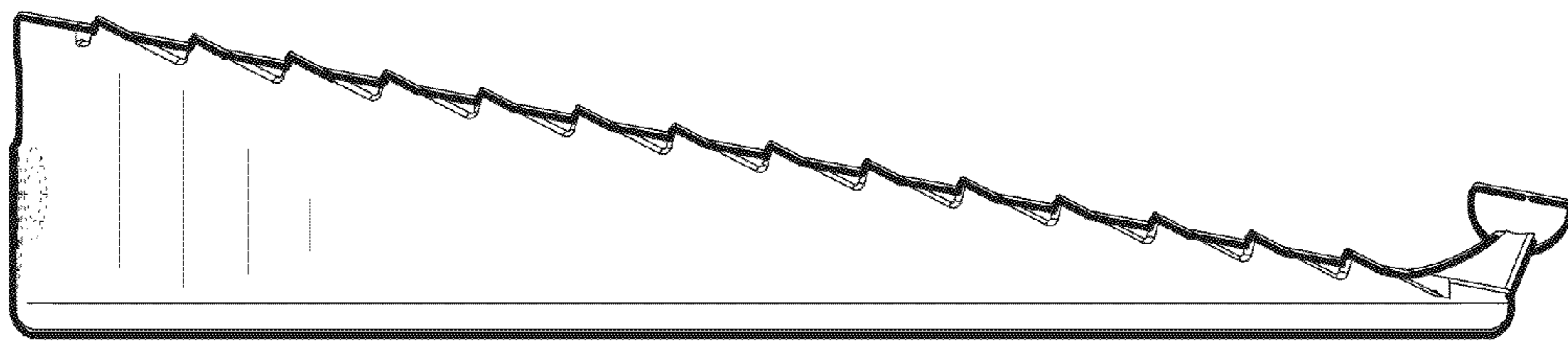


FIG. 9

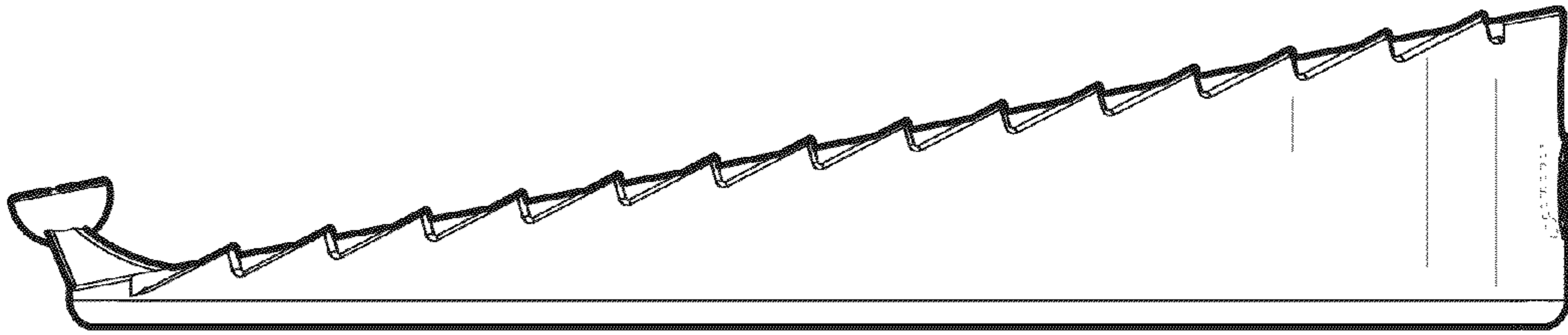


FIG. 10