

US00D712724S

(12) **United States Design Patent**
Fugett

(10) **Patent No.:** **US D712,724 S**
(45) **Date of Patent:** **** Sep. 9, 2014**

(54) **HANGER**

(71) Applicant: **Jack Fugett**, Mokena, IL (US)

(72) Inventor: **Jack Fugett**, Mokena, IL (US)

(**) Term: **14 Years**

(21) Appl. No.: **29/461,892**

(22) Filed: **Jul. 29, 2013**

(51) **LOC (10) Cl.** **08-05**

(52) **U.S. Cl.**
USPC **D8/363**

(58) **Field of Classification Search**
CPC A47G 7/04; A47G 7/042; A47G 7/044;
A47G 7/045; A47G 7/047
USPC D6/315, 317, 320, 323, 328, 512, 513,
D6/553, 556, 566, 567; D8/349, 354, 373,
D8/374, 380, 499, 363; 248/127, 175, 200,
248/302, 303

See application file for complete search history.

(56) **References Cited**

U.S. PATENT DOCUMENTS

227,966	A *	5/1880	Denison	248/282.1
2,531,151	A *	11/1950	Patt	211/106
D162,413	S	3/1951	Jorgensen	
D168,431	S	12/1952	Yellin	
3,630,475	A	12/1971	Barry	
4,071,216	A *	1/1978	Einhorn	248/282.1
D247,337	S	2/1978	Chasen	
D251,357	S	3/1979	Chasen	
4,444,371	A	4/1984	Ragen	
D348,630	S *	7/1994	Hollinger	D8/373

D348,631	S *	7/1994	Hollinger	D8/373
D348,632	S *	7/1994	Hollinger	D8/373
D459,978	S *	7/2002	Hollinger	D8/366
D474,959	S	5/2003	Massa	
D550,544	S	9/2007	Snell	
D553,966	S	10/2007	Triay	
7,287,736	B2 *	10/2007	Hauck	248/318
D583,601	S	12/2008	Doyle et al.	
7,887,017	B2	2/2011	Moran	
D703,972	S *	5/2014	Steele	D6/556
D703,973	S *	5/2014	Steele	D6/556
2008/0023605	A1	1/2008	Yang	

* cited by examiner

Primary Examiner — Deanna L Pratt

Assistant Examiner — Ieisha Price

(74) *Attorney, Agent, or Firm* — Erin J. Fox; Barnes & Thornburg LLP

(57) **CLAIM**

The ornamental design for a hanger, as shown and described.

DESCRIPTION

FIG. 1 is a top perspective view of a an ornamental design for a hanger;

FIG. 2 is an elevational view of a first side of the hanger of FIG. 1, wherein a second, opposite side of the hanger is a mirror image of the first side of the hanger;

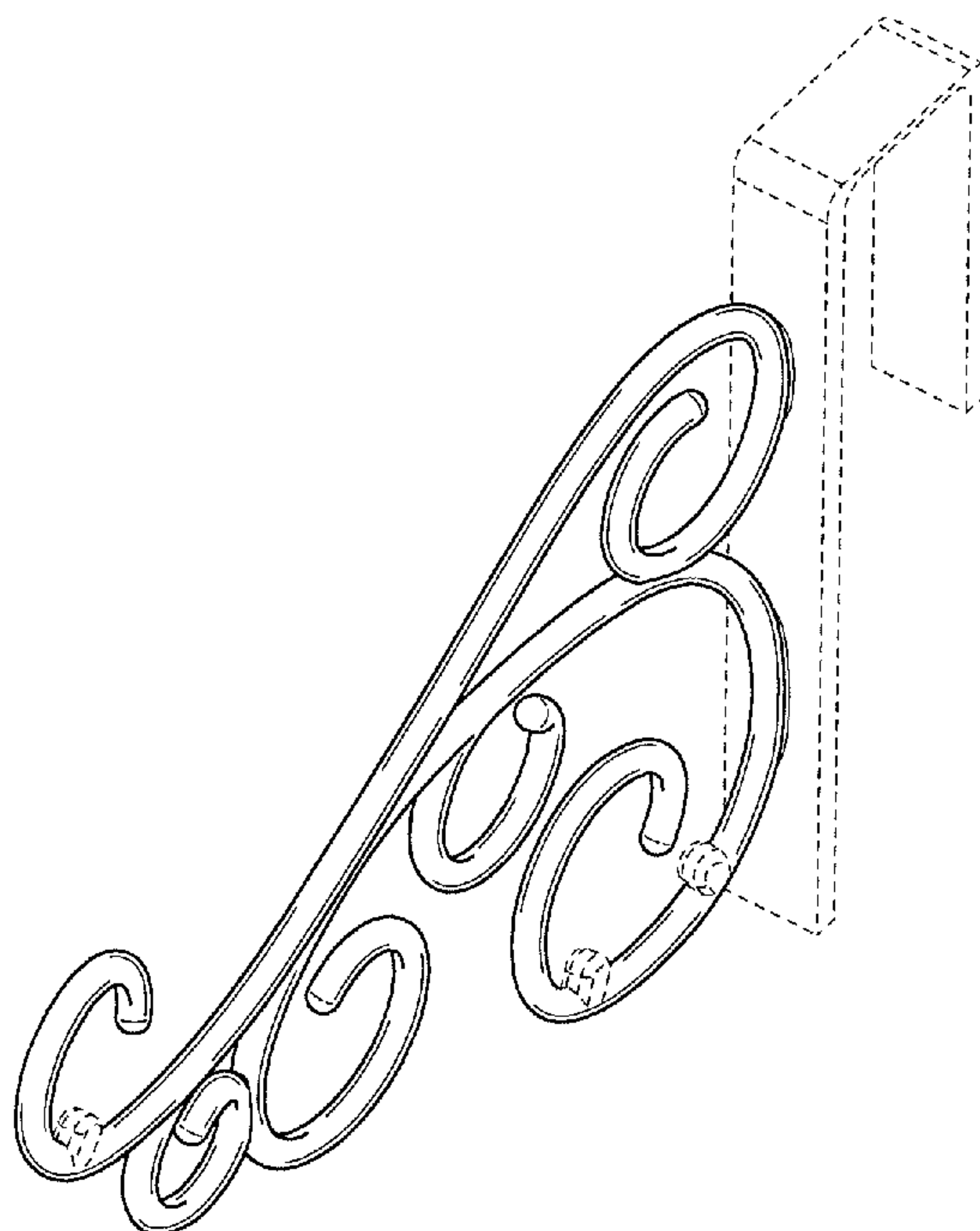
FIG. 3 is a front elevational view of the hanger of FIG. 1;

FIG. 4 is a top plan view of the hanger of FIG. 1; and,

FIG. 5 is a bottom elevational view of the hanger of FIG. 1.

The broken lines in the drawings illustrate portions of the hanger which form no part of the claimed design.

1 Claim, 3 Drawing Sheets



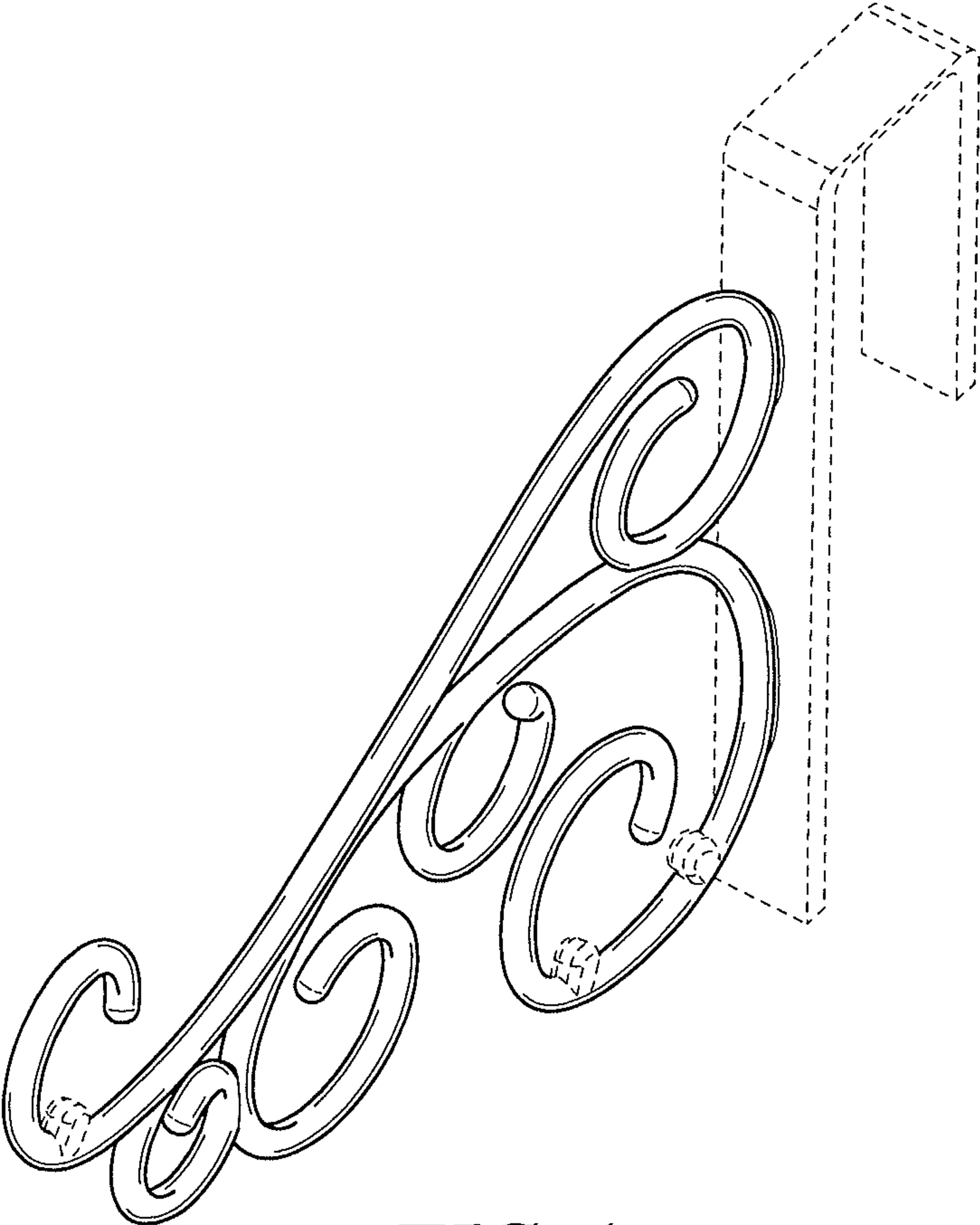


FIG. 1

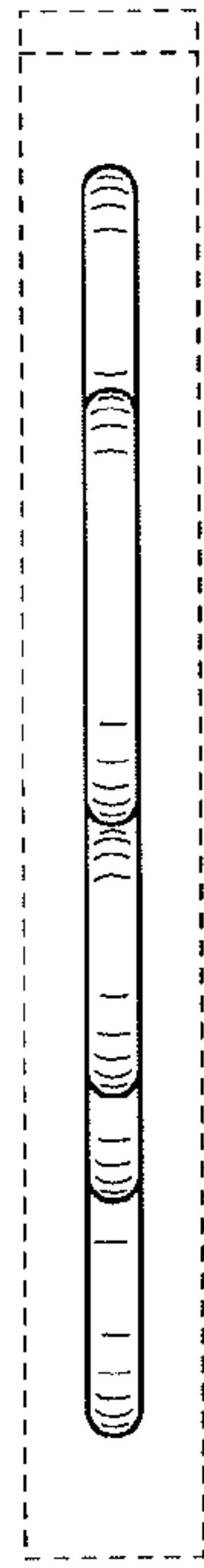


FIG. 2

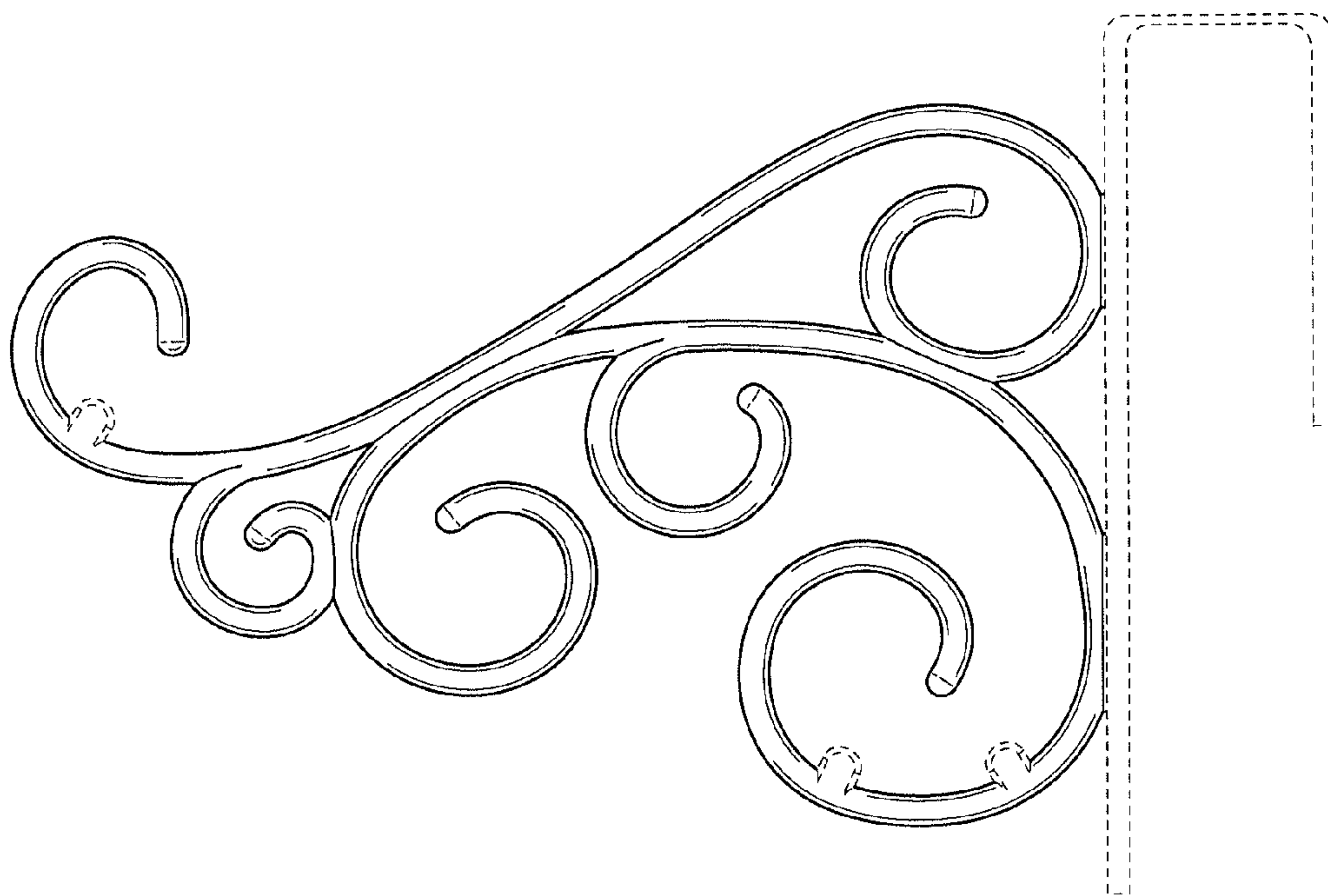


FIG. 3

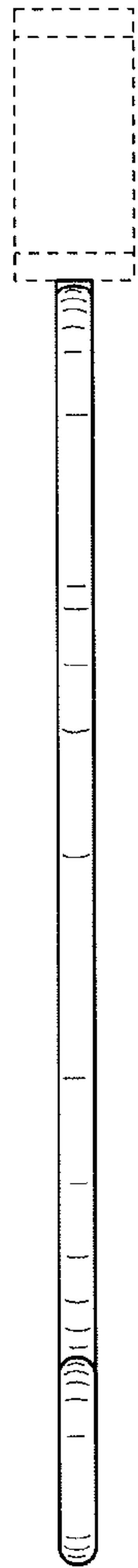


FIG. 4

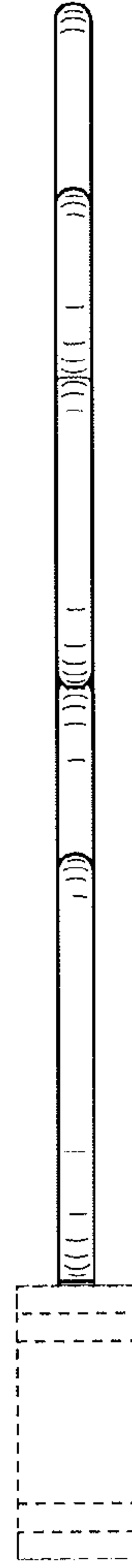


FIG. 5