



US00D712723S

(12) **United States Design Patent**
Seiders

(10) **Patent No.:** **US D712,723 S**
(45) **Date of Patent:** **** Sep. 9, 2014**

- (54) **LATCH**
- (71) Applicant: **YETI Coolers, LLC**, Austin, TX (US)
- (72) Inventor: **Roy Joseph Seiders**, Austin, TX (US)
- (73) Assignee: **YETI Coolers, LLC**, Austin, TX (US)
- (**) Term: **14 Years**

- 1,699,313 A 1/1929 Schlaich
- 2,641,493 A 6/1953 Flugarth
- 2,960,216 A 11/1960 Brady
- 3,618,995 A 11/1971 McLean
- 3,690,708 A * 9/1972 Worley et al. 292/101
- 3,782,765 A 1/1974 Wallyn
- 3,782,795 A 1/1974 Richey et al.

(Continued)

- (21) Appl. No.: **29/487,108**
- (22) Filed: **Apr. 4, 2014**

OTHER PUBLICATIONS

Yeti design photos, published date unknown, but prior to the filing date of the present application.

(Continued)

Related U.S. Application Data

- (63) Continuation of application No. 29/479,076, filed on Jan. 10, 2014, and a continuation of application No. 13/304,739, filed on Nov. 28, 2011.

Primary Examiner — Prabhakar Deshmukh

(74) *Attorney, Agent, or Firm* — Banner & Witcoff, Ltd.

- (51) **LOC (10) Cl.** **08-07**
- (52) **U.S. Cl.**
USPC **D8/343**

(57) **CLAIM**

The ornamental design for a latch, as shown and described.

- (58) **Field of Classification Search**
CPC E05C 1/00; E05C 1/002; E05C 1/08;
E05C 1/10; E05C 3/00; E05C 3/002; E05C
3/12; E05C 3/16; E05C 19/08
USPC D8/330, 331, 341, 343, 301, 302;
70/14, 64-76, 141, 142, 119, 111, 164,
70/240, DIG. 80; 292/358, 359, 348, 256,
292/256.5, 247, DIG. 31, DIG. 49, DIG. 63;
D3/232, 900, 903; 220/324, 833, 834;
190/900, 902; 206/6.1
See application file for complete search history.

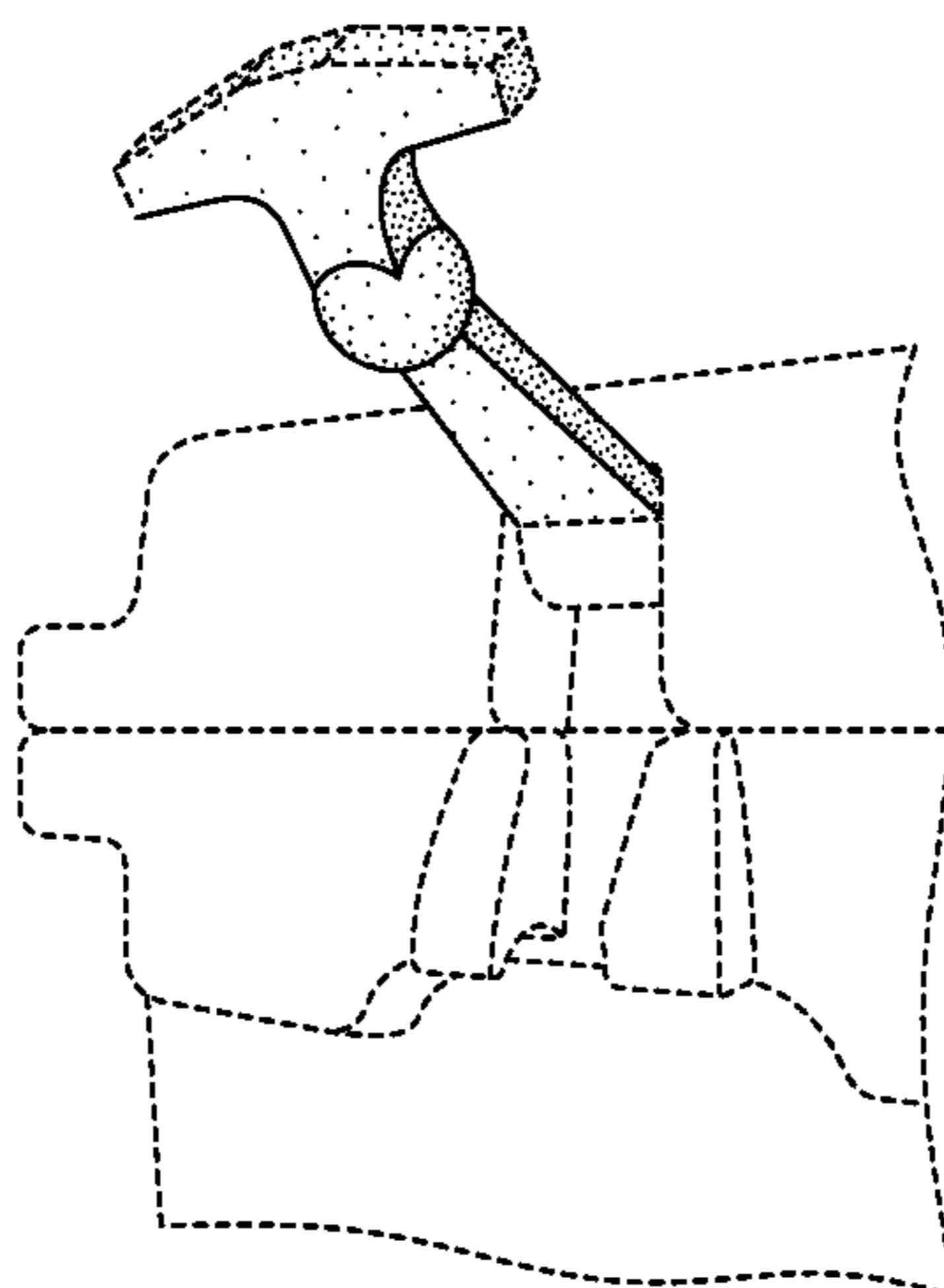
DESCRIPTION

FIG. 1 is a top, front, left perspective view of a latch showing my new design;
 FIG. 2 is an enlarged partial top, front, left perspective view thereof;
 FIG. 3 is an enlarged partial front view with a cut-away portion thereof;
 FIG. 4 is an enlarged partial bottom, front perspective view thereof;
 FIG. 5 is an enlarged exploded top, front, left partial perspective view thereof; and,
 FIG. 6 is an enlarged partial bottom, front perspective view of an alternative configuration thereof.
 The broken lines defining the latch immediately adjacent to the shaded area represent unclaimed boundaries of the design. The remaining broken lines are for environmental purposes only and form no part of the claimed design.

- (56) **References Cited**
U.S. PATENT DOCUMENTS

D2,237 S 12/1865 Richardson
1,087,167 A 2/1914 Groehn
1,483,953 A 2/1924 Rainey
1,490,575 A 4/1924 Masury et al.

1 Claim, 6 Drawing Sheets



(56)

References Cited

U.S. PATENT DOCUMENTS

D257,218 S 10/1980 Eriksson
 D278,502 S * 4/1985 Powell, Jr. D7/605
 D289,850 S 5/1987 Olson
 4,702,504 A 10/1987 Brothers
 D297,813 S * 9/1988 Marx D8/394
 4,804,215 A 2/1989 Bisbing
 4,828,298 A 5/1989 Bisbing
 4,830,413 A 5/1989 Bisbing
 D314,683 S 2/1991 Scanland
 D333,775 S * 3/1993 Krape D8/342
 5,213,381 A * 5/1993 Anderson 292/111
 D361,929 S * 9/1995 Weinerman et al. D8/336
 D364,082 S * 11/1995 Weinerman et al. D8/331
 5,478,125 A * 12/1995 Gromotka 292/67
 D374,806 S * 10/1996 Ford et al. D8/331
 D380,369 S 7/1997 Antonucci
 5,735,428 A * 4/1998 Chern 220/324
 5,738,238 A * 4/1998 Yang 220/324
 5,984,383 A * 11/1999 Parikh et al. 292/121
 D427,882 S 7/2000 Wytcherley et al.
 D435,780 S 1/2001 Tieu
 6,182,462 B1 * 2/2001 Bania et al. 62/264
 D454,292 S 3/2002 Plummer et al.
 6,398,272 B1 * 6/2002 Plummer et al. 292/246
 D469,681 S 2/2003 Votruba et al.
 D491,440 S 6/2004 Pfeiffer et al.
 D491,796 S 6/2004 Eriksson

D491,797 S 6/2004 Eriksson
 D584,594 S 1/2009 Marko
 D590,694 S 4/2009 Stuckey
 7,540,364 B2 * 6/2009 Sanderson 190/119
 D602,347 S 10/2009 Allen
 8,186,728 B2 * 5/2012 Kopylov 292/113
 D699,100 S * 2/2014 Moreau et al. D8/394
 2008/0110892 A1 5/2008 House
 2009/0139245 A1 * 6/2009 Blackway et al. 62/3.62

OTHER PUBLICATIONS

Southco 37 Draw Latch Flyer, published date unknown, but prior to the filing date of the present application.
https://web.archive.org/web/20080530173551/http://www.alltackle.com/fish_coolers.htm, downloaded on May 21, 2014, depicting prior art products on sale in this country on May 30, 2008, 8 pages.
https://web.archive.org/web/20080530173902/http://www.alltackle.com/yeti_fish_coolers.htm, downloaded on May 21, 2014, depicting prior art products on sale in this country on May 30, 2008, 5 pages.
https://webarchive.org/web/20081224163250/http://www.alltackle.com/icey_tek_fish_coolers.htm, downloaded on May 21, 2014, depicting prior art products on sale in this country on Dec. 24, 2008, 5 pages.
 Photographs showing prior art product sold in this country more than one year prior to the earliest filing date of the instant application, 22 pages.

* cited by examiner

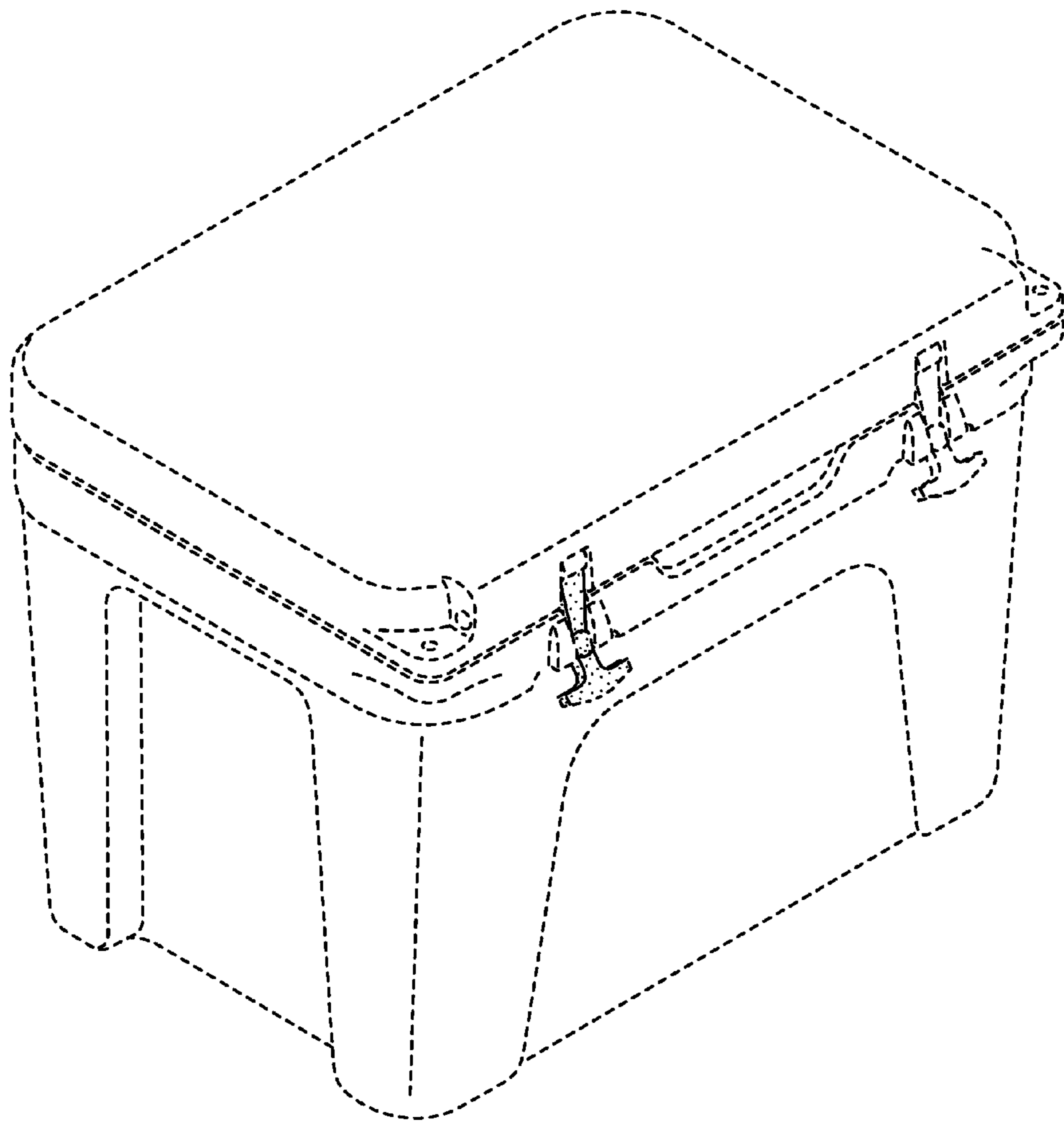


FIG. 1

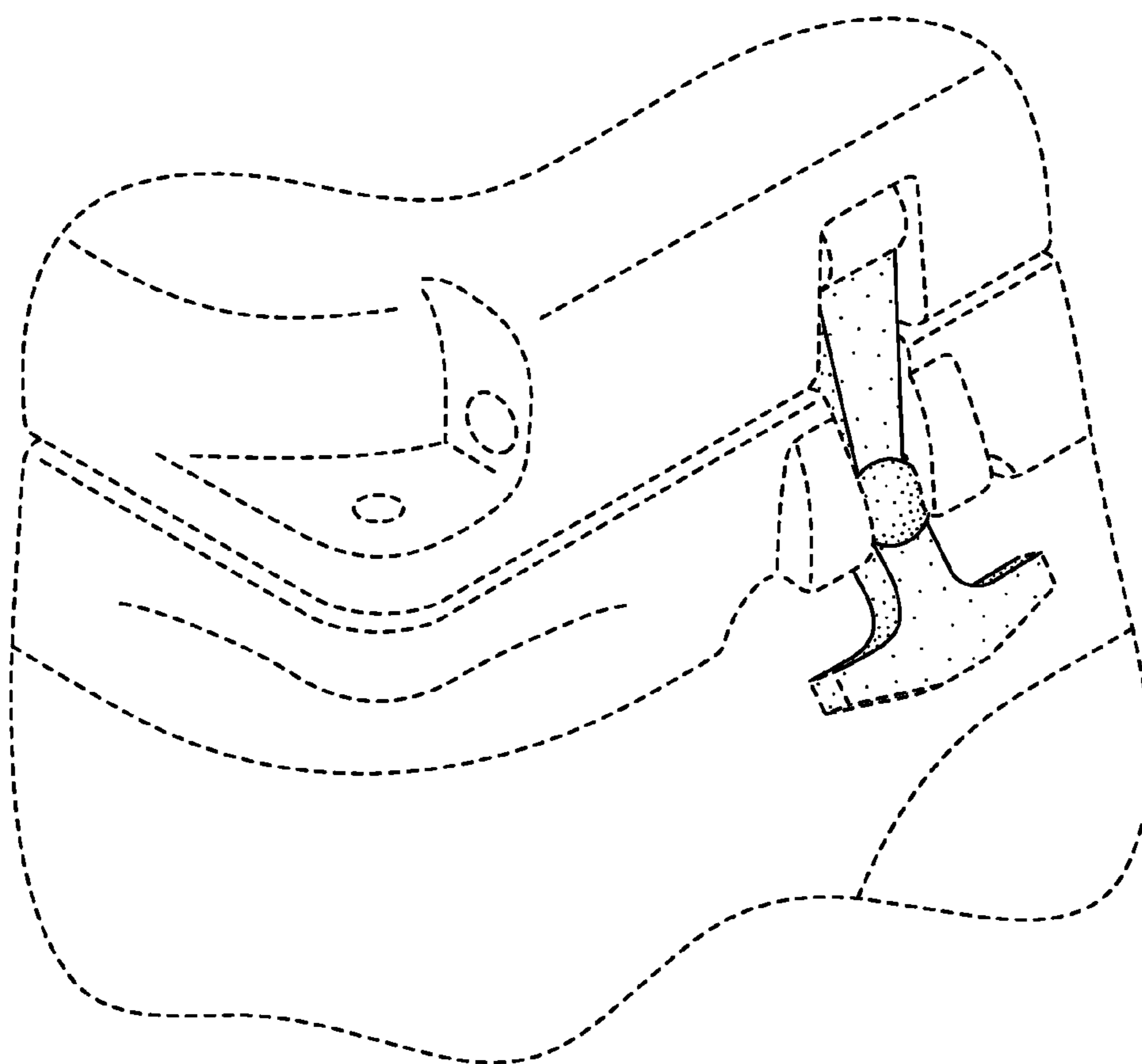


FIG. 2

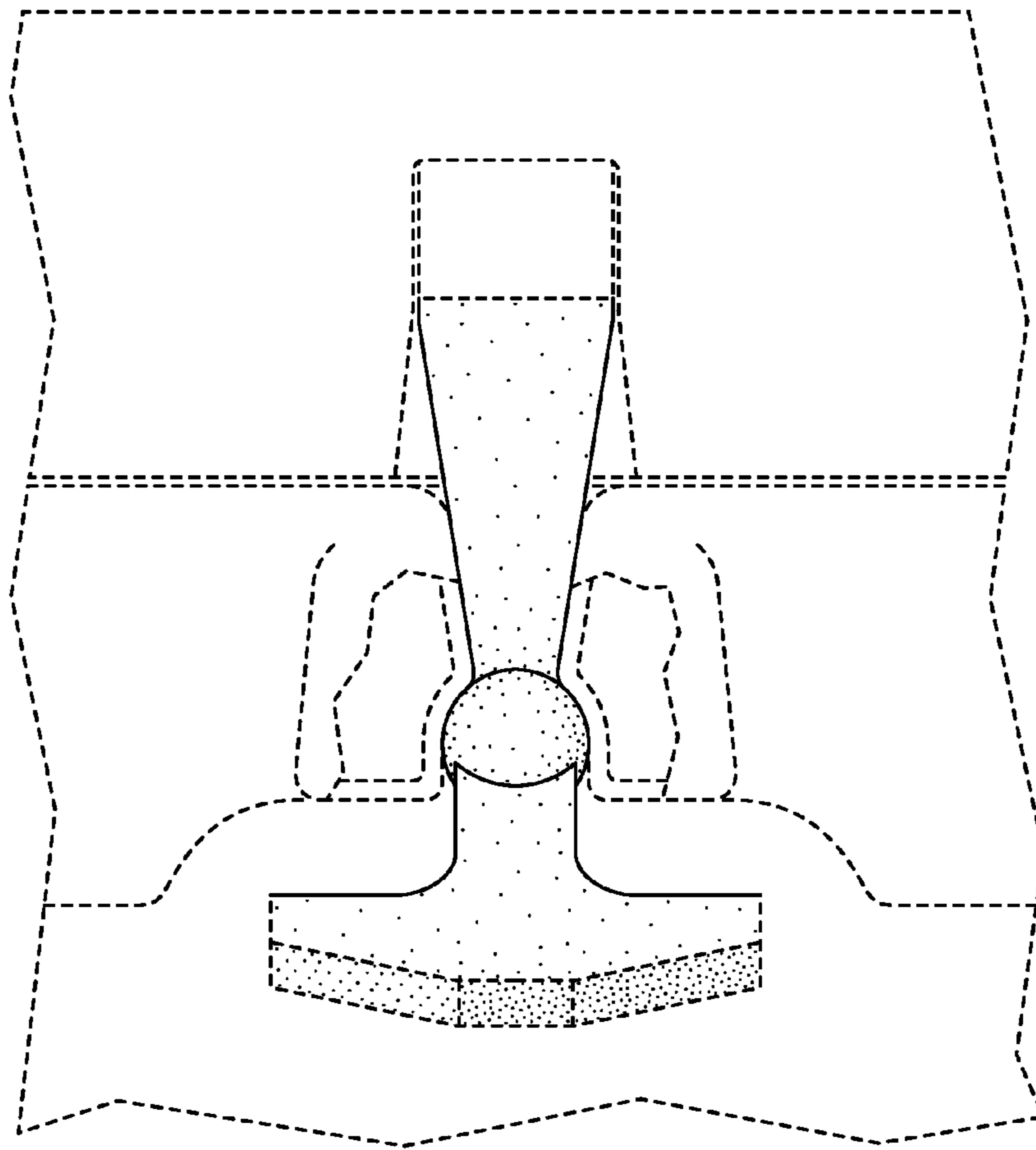


FIG. 3

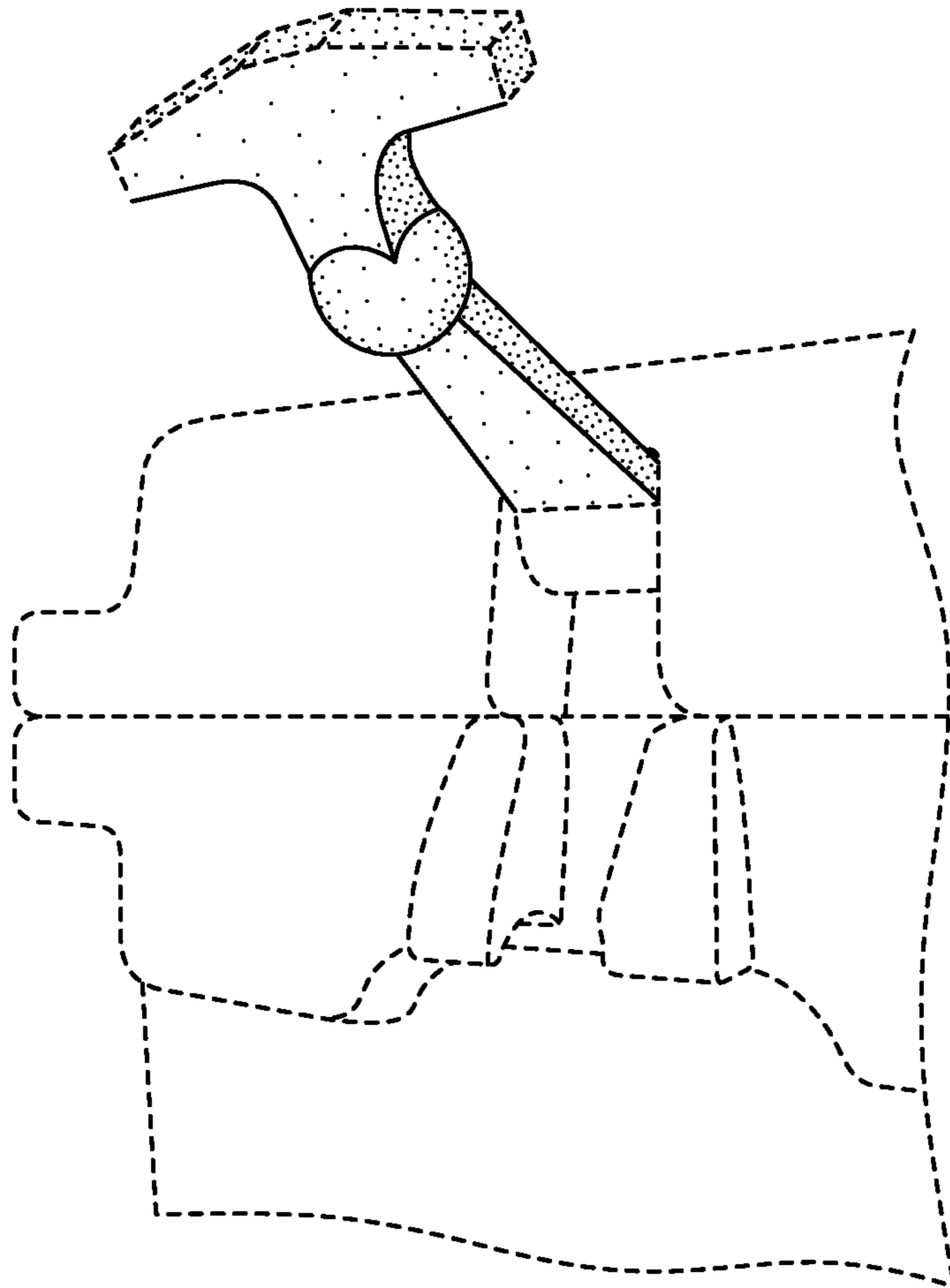


FIG. 4

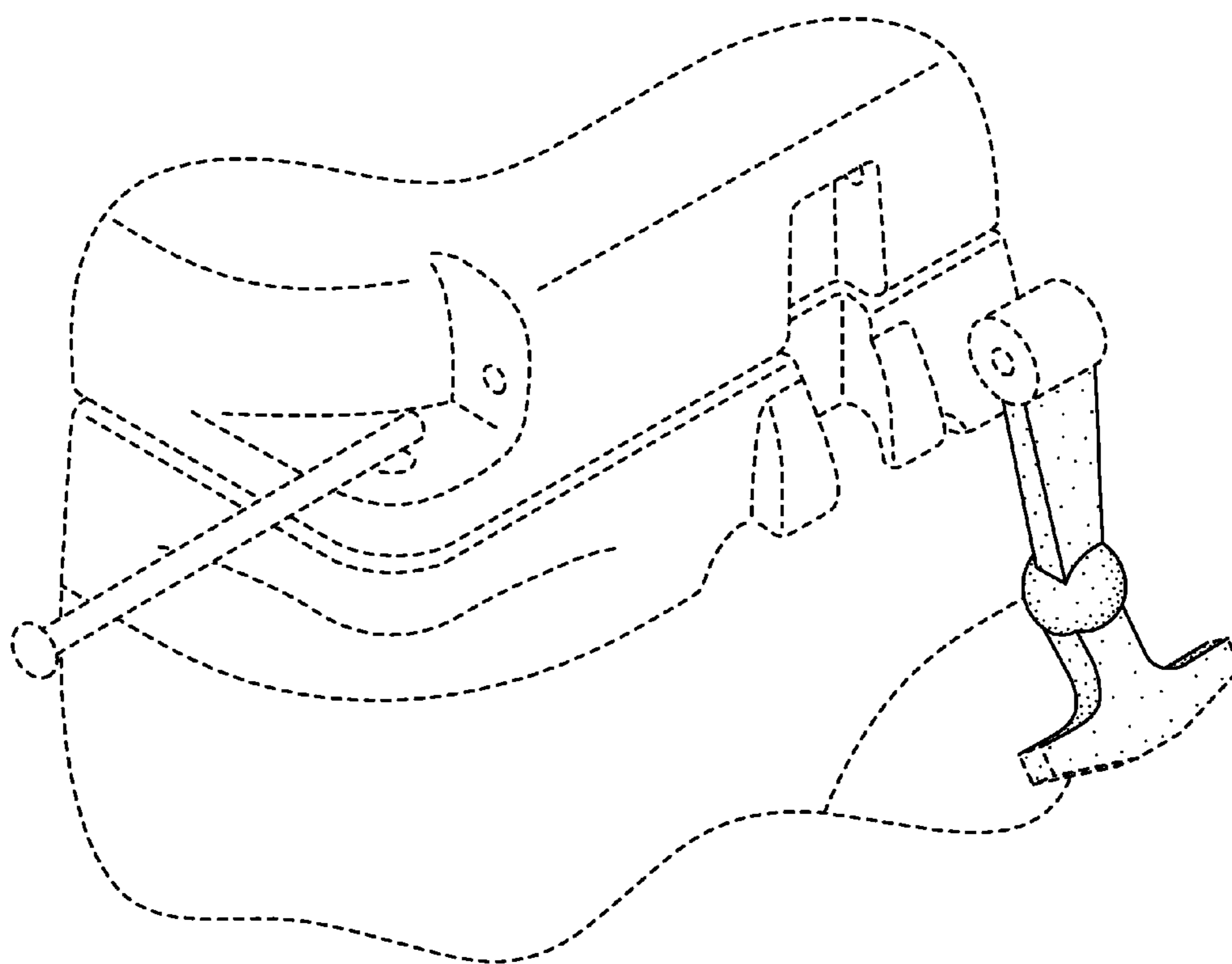


FIG. 5

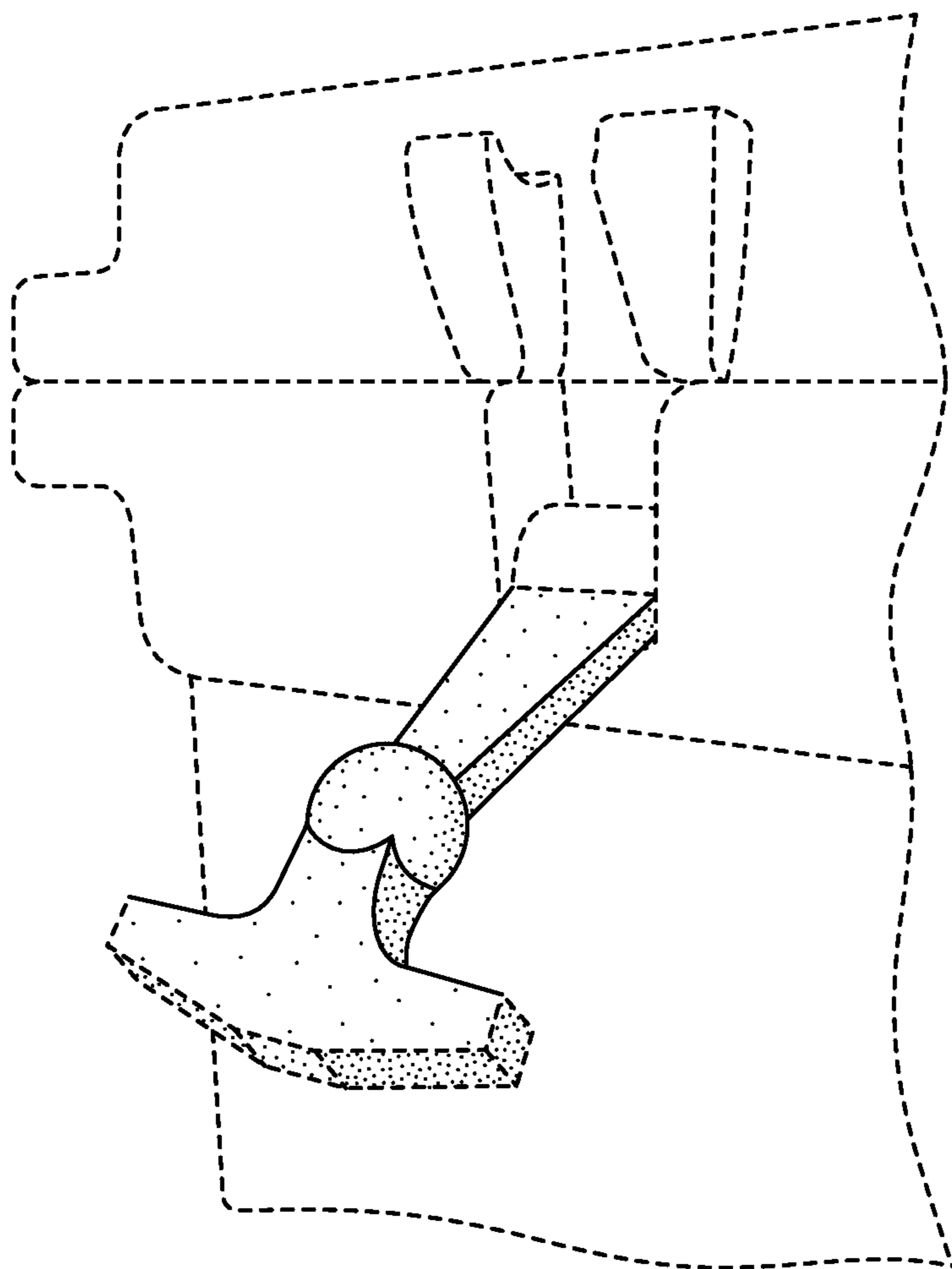


FIG. 6