



US00D712722S

(12) **United States Design Patent**  
**Seiders**

(10) **Patent No.:** **US D712,722 S**  
(45) **Date of Patent:** **\*\* Sep. 9, 2014**

- (54) **LATCH**
- (71) Applicant: **YETI Coolers, LLC**, Austin, TX (US)
- (72) Inventor: **Roy Joseph Seiders**, Austin, TX (US)
- (73) Assignee: **YETI Coolers, LLC**, Austin, TX (US)
- (\*\*) Term: **14 Years**
- (21) Appl. No.: **29/487,104**
- (22) Filed: **Apr. 4, 2014**

**Related U.S. Application Data**

- (63) Continuation of application No. 29/479,076, filed on Jan. 10, 2014, and a continuation of application No. 13/304,739, filed on Nov. 28, 2011.
- (51) **LOC (10) Cl.** ..... **08-07**
- (52) **U.S. Cl.**  
USPC ..... **D8/343**
- (58) **Field of Classification Search**  
USPC ..... D8/330, 331, 341, 343, 301, 302;  
70/14, 64-76, 141, 142, 119, 111, 164,  
70/240, DIG. 80; 292/358, 359, 348, 256,  
292/256.5, 247, DIG. 31, DIG. 49, DIG. 63;  
D3/232, 900, 903; 220/324, 833, 834;  
190/900, 902; 206/6.1  
See application file for complete search history.

(56) **References Cited**

**U.S. PATENT DOCUMENTS**

D2,237 S	12/1865	Richardson
1,087,167 A	2/1914	Groehn
1,483,953 A	2/1924	Rainey
1,490,575 A	4/1924	Masury et al.
1,699,313 A	1/1929	Schlaich
2,641,493 A	6/1953	Flugarth
2,960,216 A	11/1960	Brady
3,618,995 A	11/1971	McLean

3,690,708 A *	9/1972	Worley et al.	292/101
3,782,765 A	1/1974	Wallyn	
3,782,795 A	1/1974	Richey et al.	
D257,218 S	10/1980	Eriksson	
D278,502 S *	4/1985	Powell, Jr.	D7/605
D289,850 S	5/1987	Olson	
4,702,504 A	10/1987	Brothers	
D297,813 S *	9/1988	Marx	D8/394
4,804,215 A	2/1989	Bisbing	
4,828,298 A	5/1989	Bisbing	

(Continued)

**OTHER PUBLICATIONS**

Yeti design photos, published date unknown, but prior to the filing date of the present application.

(Continued)

*Primary Examiner* — Prabhakar Deshmukh

(74) *Attorney, Agent, or Firm* — Banner & Witcoff, Ltd.

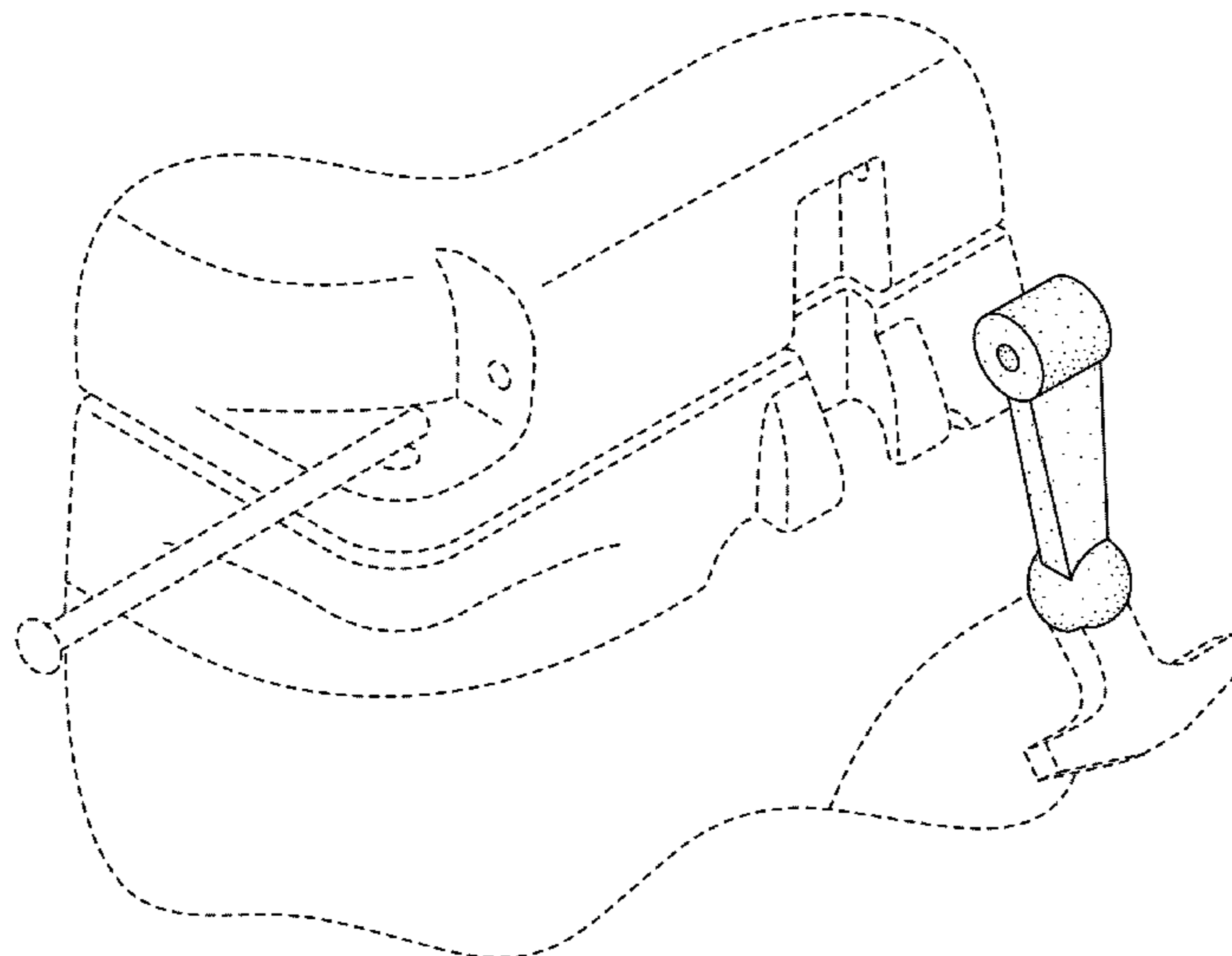
(57) **CLAIM**

The ornamental design for a latch, as shown and described.

**DESCRIPTION**

FIG. 1 is a top, front, left perspective view of a latch showing my new design;  
 FIG. 2 is an enlarged partial top, front, left perspective view thereof;  
 FIG. 3 is an enlarged partial front view with a cut-away portion thereof;  
 FIG. 4 is an enlarged partial bottom, front perspective view thereof;  
 FIG. 5 is an enlarged exploded top, front, left partial perspective view thereof; and,  
 FIG. 6 is an enlarged partial bottom, front perspective view of an alternative configuration thereof.  
 The broken lines are for environmental purposes only and form no part of the claimed design.

**1 Claim, 6 Drawing Sheets**



(56)

References Cited

U.S. PATENT DOCUMENTS

4,830,413 A 5/1989 Bisbing  
 D314,683 S 2/1991 Scanland  
 D333,775 S \* 3/1993 Krape ..... D8/342  
 5,213,381 A \* 5/1993 Anderson ..... 292/111  
 D361,929 S \* 9/1995 Weinerman et al. .... D8/336  
 D364,082 S \* 11/1995 Weinerman et al. .... D8/331  
 5,478,125 A \* 12/1995 Gromotka ..... 292/67  
 D374,806 S \* 10/1996 Ford et al. .... D8/331  
 D380,369 S 7/1997 Antonucci  
 5,735,428 A \* 4/1998 Chern ..... 220/324  
 5,738,238 A \* 4/1998 Yang ..... 220/324  
 5,984,383 A \* 11/1999 Parikh et al. .... 292/121  
 D427,882 S 7/2000 Wytcherley et al.  
 D435,780 S 1/2001 Tieu  
 6,182,462 B1 \* 2/2001 Bania et al. .... 62/264  
 D454,292 S 3/2002 Plummer et al.  
 6,398,272 B1 \* 6/2002 Plummer et al. .... 292/246  
 D469,681 S 2/2003 Votruba et al.  
 D491,440 S 6/2004 Pfeiffer et al.  
 D491,796 S 6/2004 Eriksson  
 D491,797 S 6/2004 Eriksson  
 D584,594 S 1/2009 Marko  
 D590,694 S 4/2009 Stuckey  
 7,540,364 B2 \* 6/2009 Sanderson ..... 190/119

D602,347 S 10/2009 Allen  
 8,186,728 B2 \* 5/2012 Kopylov ..... 292/113  
 D699,100 S \* 2/2014 Moreau et al. .... D8/394  
 2008/0110892 A1 5/2008 House  
 2009/0139245 A1 \* 6/2009 Blackway et al. .... 62/3.62

OTHER PUBLICATIONS

Southco 37 Draw Latch Flyer, published date unknown, but prior to the filing date of the present application.  
[https://web.archive.org/web/20080530173551/http://www.alltackle.com/fish\\_coolers.htm](https://web.archive.org/web/20080530173551/http://www.alltackle.com/fish_coolers.htm), downloaded on May 21, 2014, depicting prior art products on sale in this country on May 30, 2008, 8 pages.  
[https://web.archive.org/web/20080530173902/http://www.alltackle.com/yeti\\_fish\\_coolers.htm](https://web.archive.org/web/20080530173902/http://www.alltackle.com/yeti_fish_coolers.htm), downloaded on May 21, 2014, depicting prior art products on sale in this country on May 30, 2008, 5 pages.  
[https://webarchive.org/web/20081224163250/http://www.alltackle.com/icey\\_tek\\_fish\\_coolers.htm](https://webarchive.org/web/20081224163250/http://www.alltackle.com/icey_tek_fish_coolers.htm), downloaded on May 21, 2014, depicting prior art products on sale in this country on Dec. 24, 2008, 5 pages.  
 Photographs showing prior art product sold in this country more than one year prior to the earliest filing date of the instant application, 22 pages.

\* cited by examiner

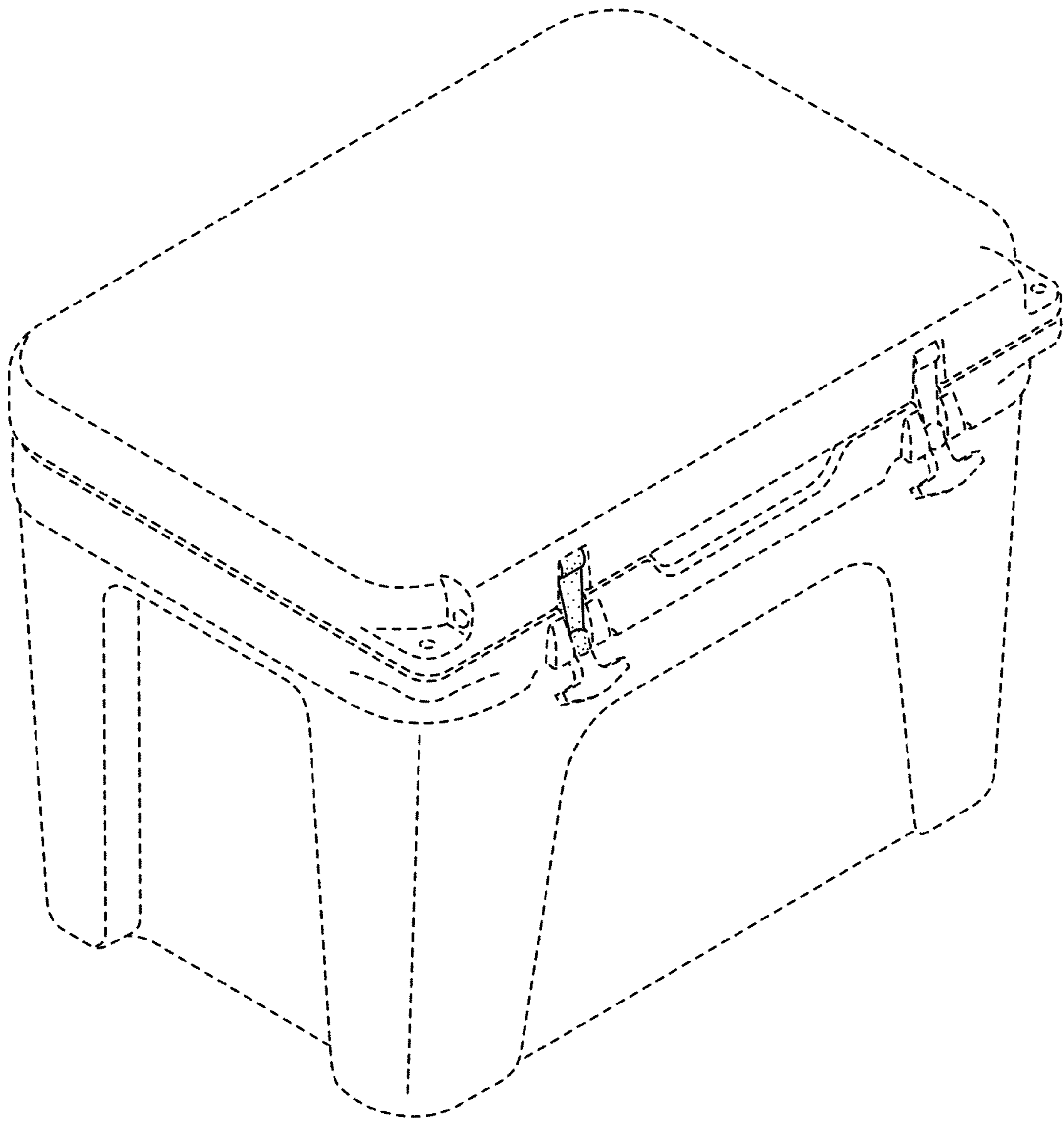


FIG. 1

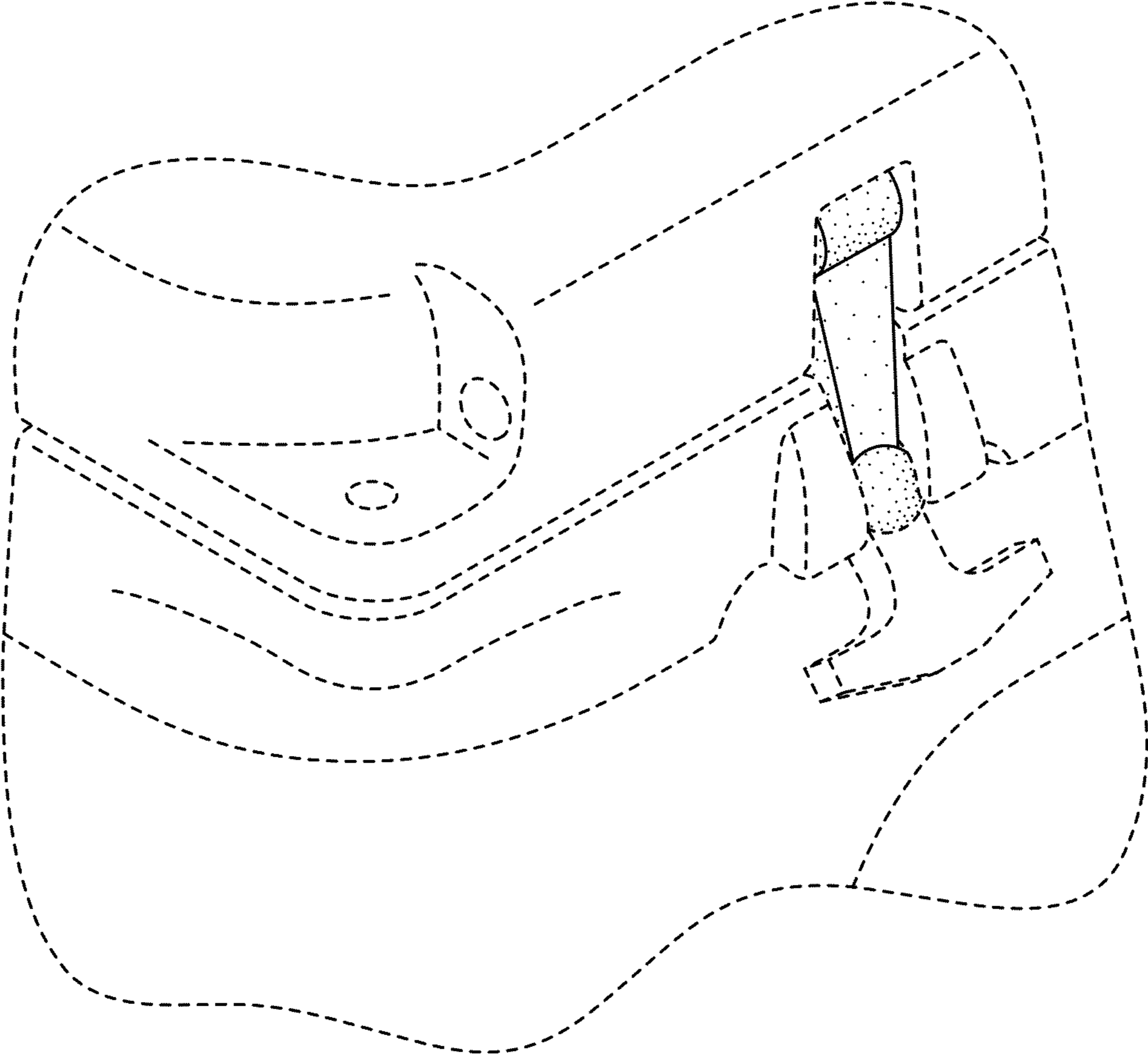


FIG. 2

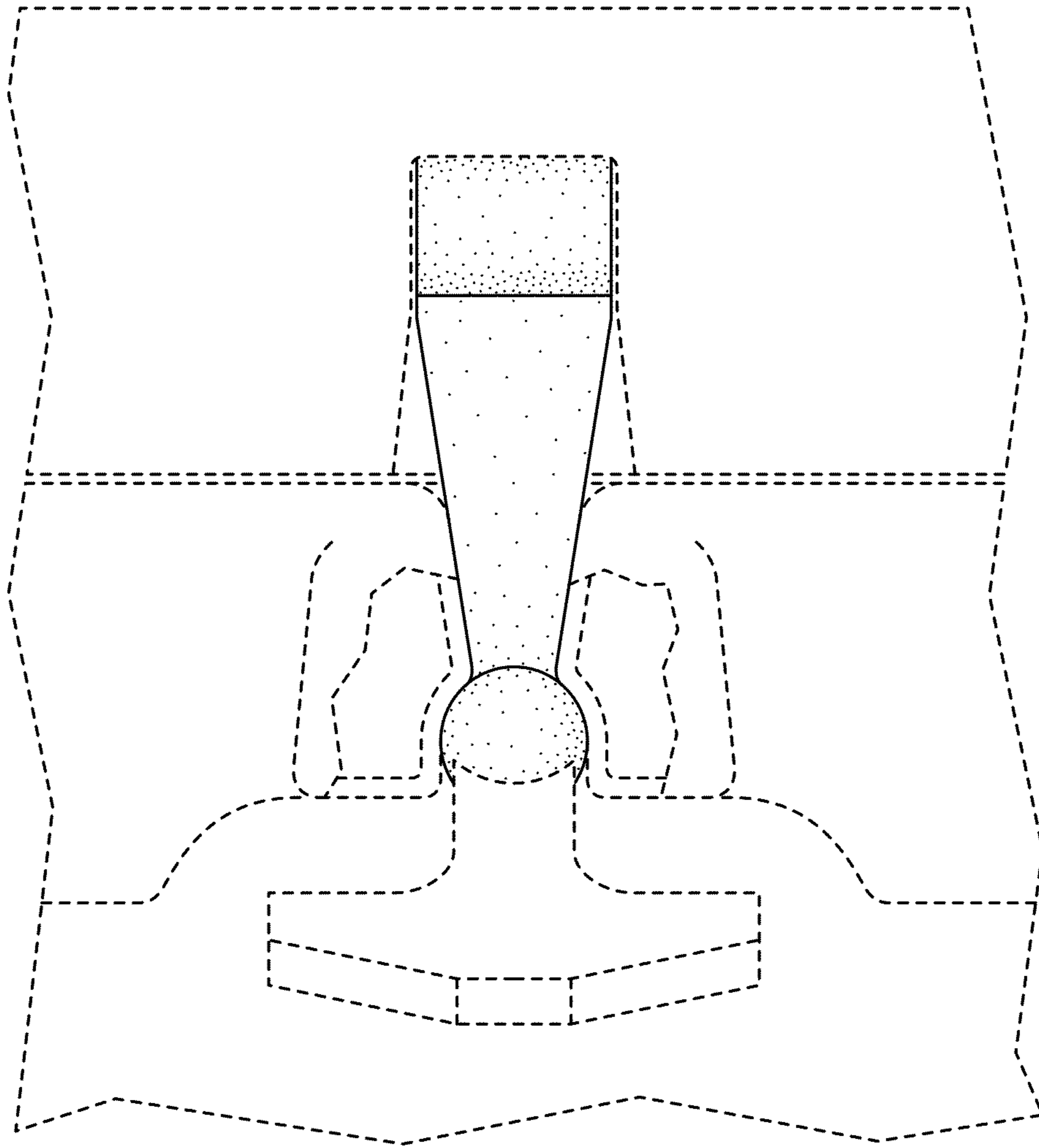


FIG. 3

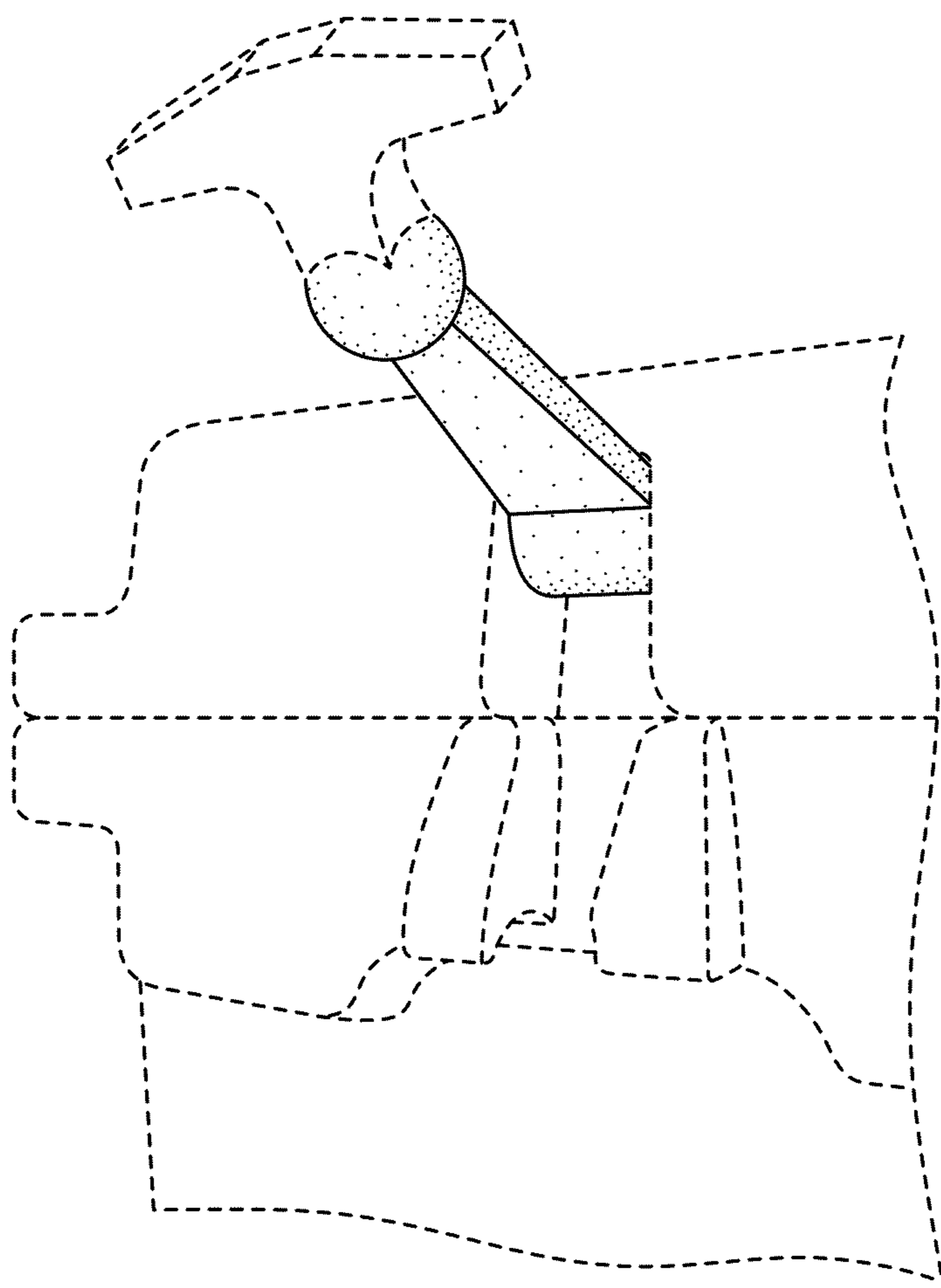


FIG. 4

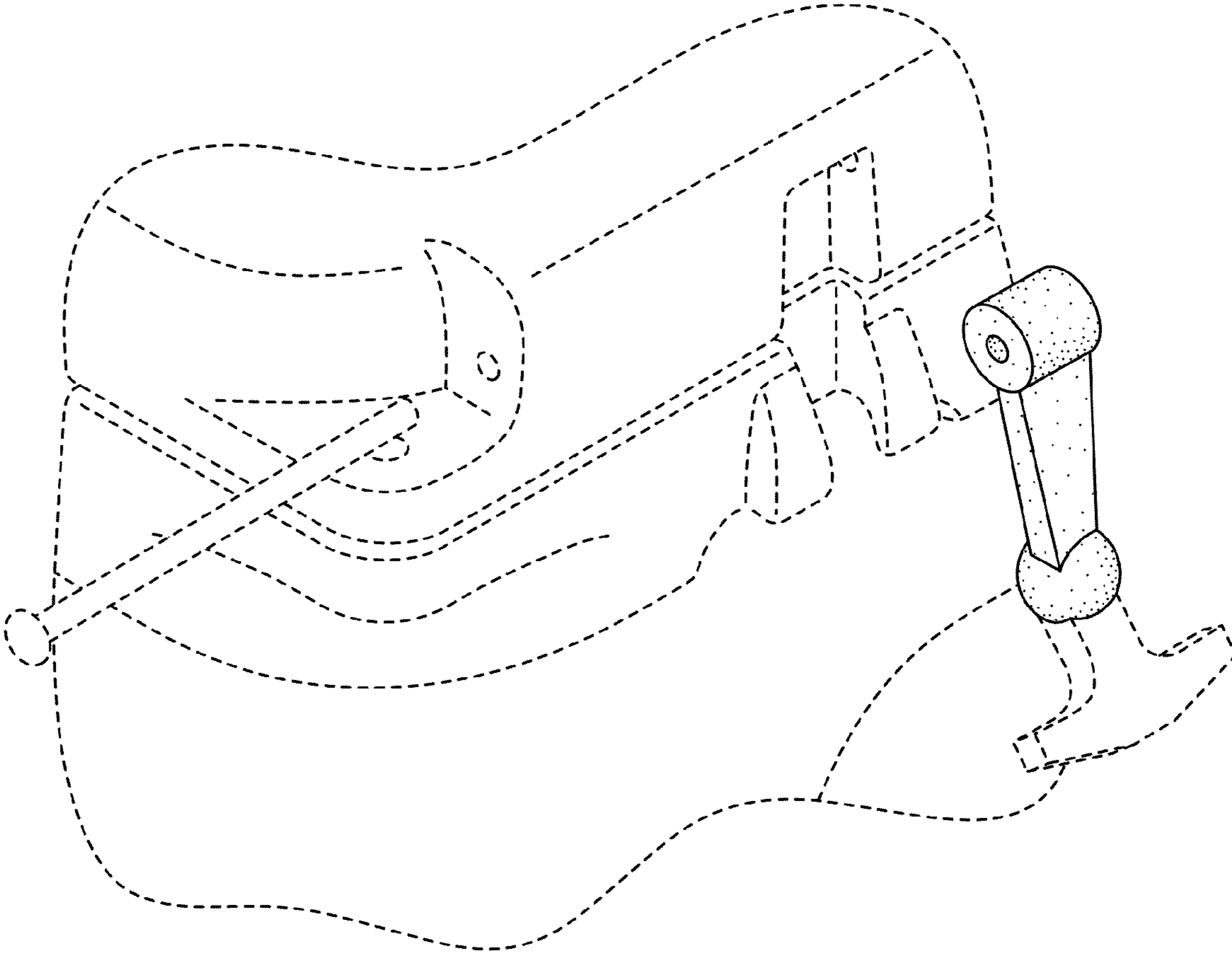


FIG. 5

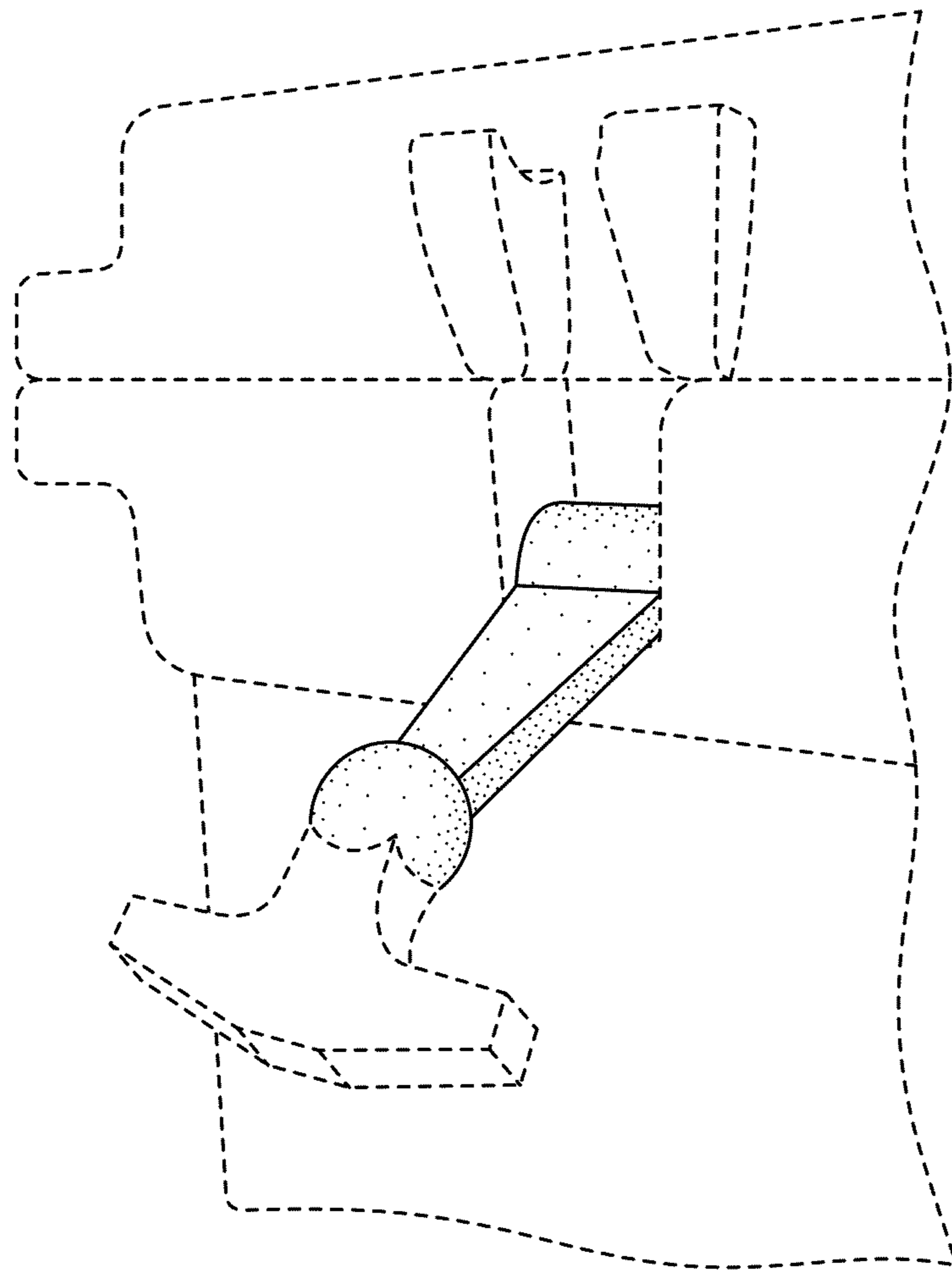


FIG. 6