

US00D712720S

(12) **United States Design Patent**
Seiders

(10) **Patent No.:** **US D712,720 S**
(45) **Date of Patent:** **** Sep. 9, 2014**

- (54) **LATCH**
- (71) Applicant: **YETI Coolers, LLC**, Austin, TX (US)
- (72) Inventor: **Roy Joseph Seiders**, Austin, TX (US)
- (73) Assignee: **YETI Coolers, LLC**, Austin, TX (US)
- (**) Term: **14 Years**
- (21) Appl. No.: **29/479,076**
- (22) Filed: **Jan. 10, 2014**

1,490,575 A	4/1924	Masury et al.	
1,699,313 A	1/1929	Schlaich	
2,641,493 A	6/1953	Flugarth	
2,960,216 A	11/1960	Brady	
3,618,995 A	11/1971	McLean	
3,690,708 A *	9/1972	Worley et al.	292/101
3,782,765 A	1/1974	Wallyn	
3,782,795 A	1/1974	Richey et al.	
D257,218 S	10/1980	Eriksson	
D278,502 S *	4/1985	Powell, Jr.	D7/605

(Continued)

OTHER PUBLICATIONS

Yeti design photos, published date unknown, but prior to the filing date of the present application.

(Continued)

Primary Examiner — Prabhakar Deshmukh
(74) *Attorney, Agent, or Firm* — Banner & Witcoff, Ltd.

Related U.S. Application Data

- (63) Continuation of application No. 13/304,739, filed on Nov. 28, 2011.
- (51) **LOC (10) Cl.** **08-07**
- (52) **U.S. Cl.**
USPC **D8/343; D8/331**
- (58) **Field of Classification Search**
CPC D05C 1/00; D05C 1/002; D05C 1/08;
D05C 1/10; D05C 3/00; D05C 3/002; D05C
3/12; D05C 3/16; D05C 19/08; D05C 5/00;
D05C 21/00
USPC D8/330, 331, 341, 343, 301, 302;
70/14, 64-76, 141, 142, 119, 111, 164,
70/240, DIG. 80; 292/358, 359, 348, 256,
292/256.5, 247, DIG. 31, DIG. 49, DIG. 63;
D3/232, 900, 903; 220/324, 833, 834;
190/900, 902; 206/6.1
See application file for complete search history.

- (57) **CLAIM**
The ornamental design for a latch, as shown and described.

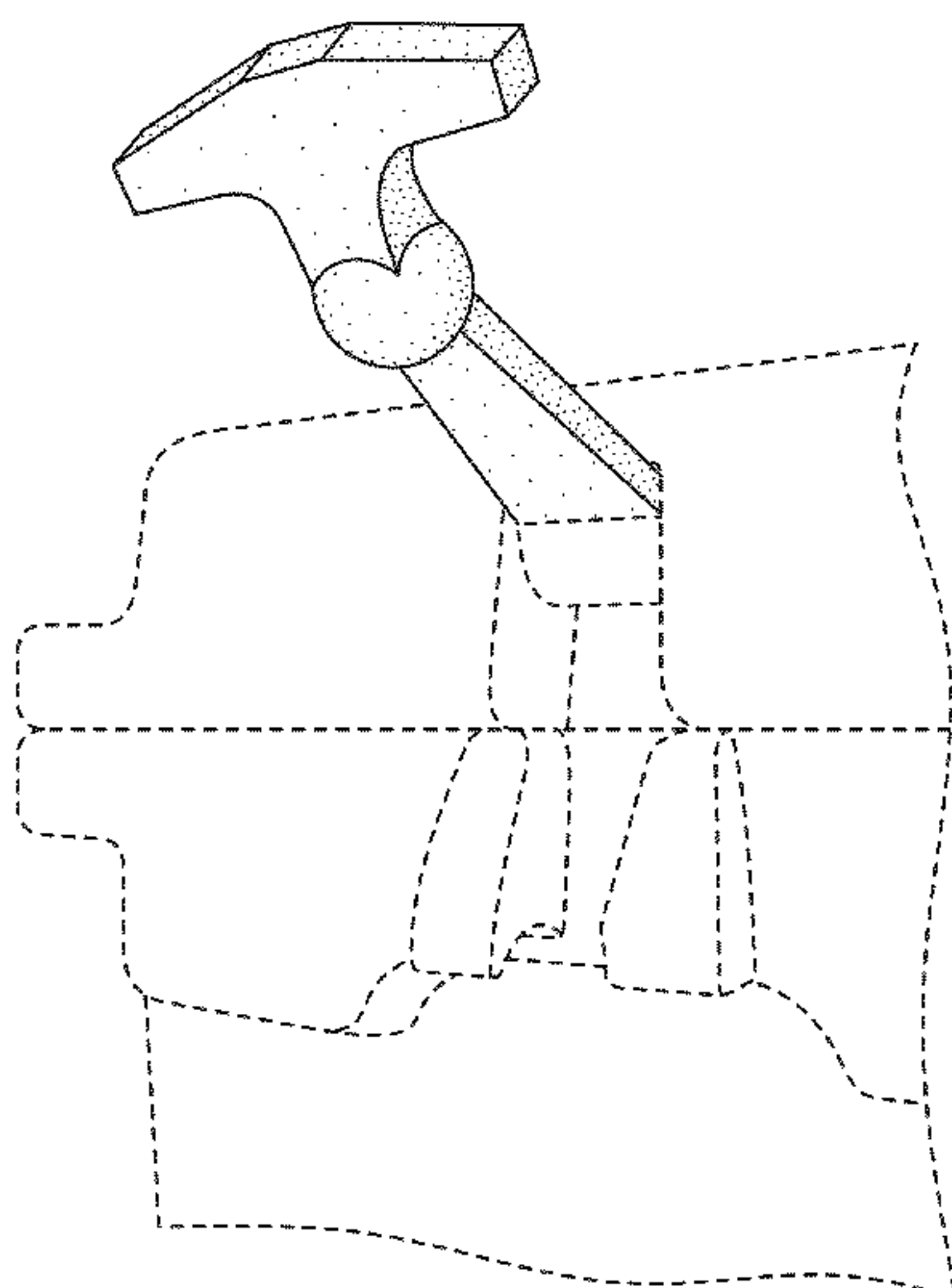
DESCRIPTION

FIG. 1 is a top, front, left perspective view of a latch showing my new design;
 FIG. 2 is a partial top, front, left perspective view thereof;
 FIG. 3 is a partial front view with a cut-away portion thereof;
 FIG. 4 is a partial bottom, front perspective view thereof;
 FIG. 5 is an exploded top, front, left partial perspective view thereof; and,
 FIG. 6 is partial bottom, front perspective view of an alternative configuration thereof.
 The broken lines immediately adjacent to the shaded area represent unclaimed boundaries of the design. The broken lines showing the remainder of the latch are for environmental purposes only and form no part of the claimed design.

1 Claim, 6 Drawing Sheets

- (56) **References Cited**
U.S. PATENT DOCUMENTS

D2,237 S 12/1865 Richardson
1,087,167 A 2/1914 Groehn
1,483,953 A 2/1924 Rainey



(56)

References Cited

U.S. PATENT DOCUMENTS

D289,850 S 5/1987 Olson
 4,702,504 A 10/1987 Brothers
 D297,813 S * 9/1988 Marx D8/394
 4,804,215 A 2/1989 Bisbing
 4,828,298 A 5/1989 Bisbing
 4,830,413 A 5/1989 Bisbing
 D314,683 S 2/1991 Scanland
 D333,775 S * 3/1993 Krape D8/342
 5,213,381 A * 5/1993 Anderson 292/111
 D361,929 S * 9/1995 Weinerman et al. D8/336
 D364,082 S * 11/1995 Weinerman et al. D8/331
 5,478,125 A * 12/1995 Gromotka 292/67
 D374,806 S * 10/1996 Ford et al. D8/331
 D380,369 S 7/1997 Antonucci
 5,735,428 A * 4/1998 Chern 220/324
 5,738,238 A 4/1998 Yang
 5,984,383 A 11/1999 Parikh et al.
 D427,882 S 7/2000 Wytcherley et al.
 D435,780 S 1/2001 Tieu
 6,182,462 B1 * 2/2001 Bania et al. 62/264
 D454,292 S 3/2002 Plummer et al.
 6,398,272 B1 * 6/2002 Plummer et al. 292/246
 D469,681 S 2/2003 Votruba et al.
 D491,440 S 6/2004 Pfeiffer et al.
 D491,796 S 6/2004 Eriksson
 D491,797 S 6/2004 Eriksson
 6,805,795 B2 * 10/2004 Hawkins et al. 210/238

7,370,891 B1 * 5/2008 Schmitt et al. 292/113
 D584,594 S 1/2009 Marko
 D590,694 S 4/2009 Stuckey
 7,540,364 B2 * 6/2009 Sanderson 190/119
 D602,347 S 10/2009 Allen
 8,186,728 B2 * 5/2012 Kopylov 292/113
 D699,100 S * 2/2014 Moreau et al. D8/394
 2008/0110892 A1 5/2008 House
 2009/0139245 A1 * 6/2009 Blackway et al. 62/3.62

OTHER PUBLICATIONS

Southco 37 Draw Latch Flyer, published date unknown, but prior to the filing date of the present application.
https://web.archive.org/web/20080530173551/http://www.alltackle.com/fish_coolers.htm, downloaded on May 21, 2014, depicting prior art products on sale in this country on May 30, 2008, 8 pages.
https://web.archive.org/web/20080530173902/http://www.alltackle.com/yeti_fish_coolers.htm, downloaded on May 21, 2014, depicting prior art products on sale in this country on May 30, 2008, 5 pages.
https://webarchive.org/web/20081224163250/http://www.alltackle.com/icey_tek_fish_coolers.htm, downloaded on May 21, 2014, depicting prior art products on sale in this country on Dec. 24, 2008, 5 pages.
 Photographs showing prior art product sold in this country more than one year prior to the earliest filing date of instant application, 22 pages.

* cited by examiner

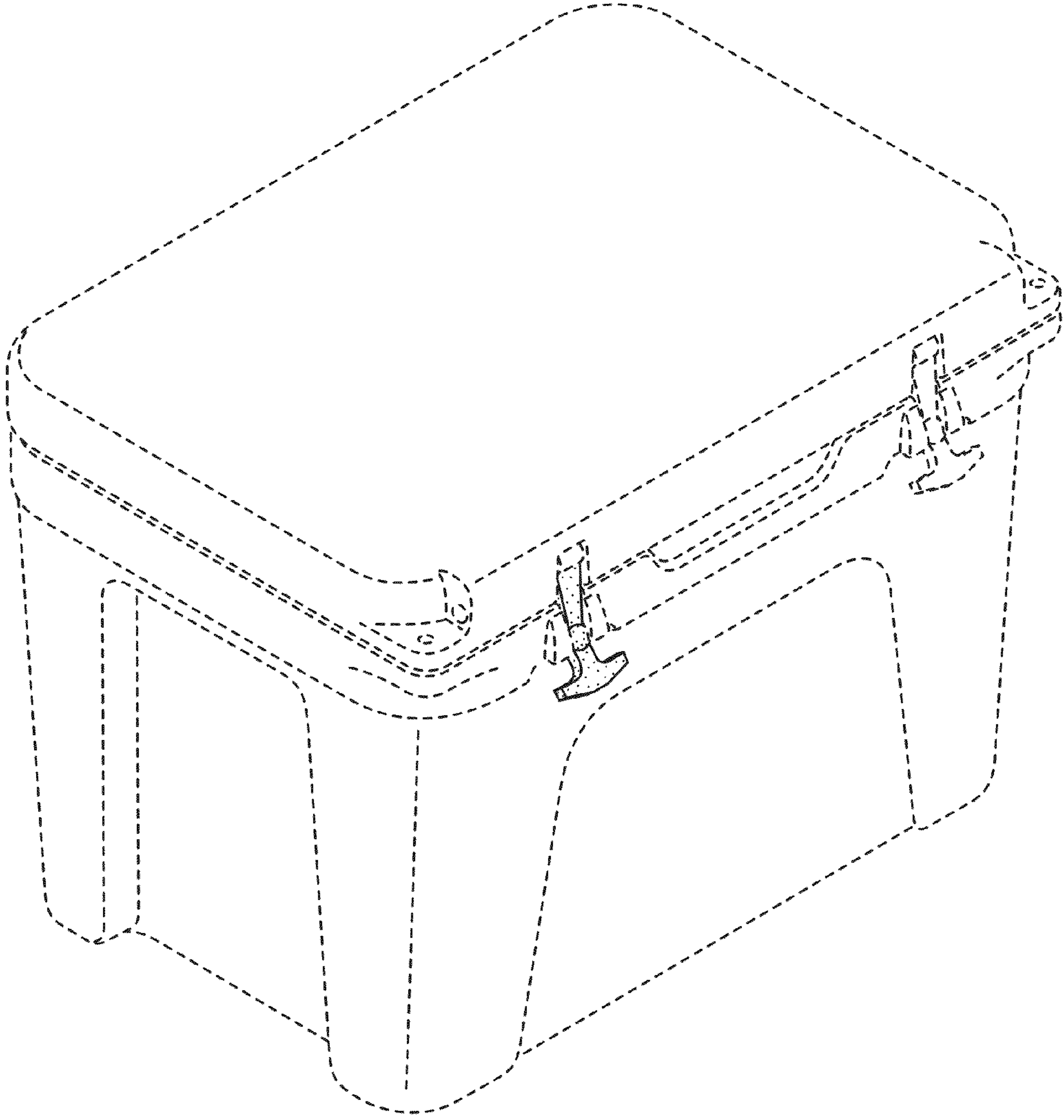


FIG. 1

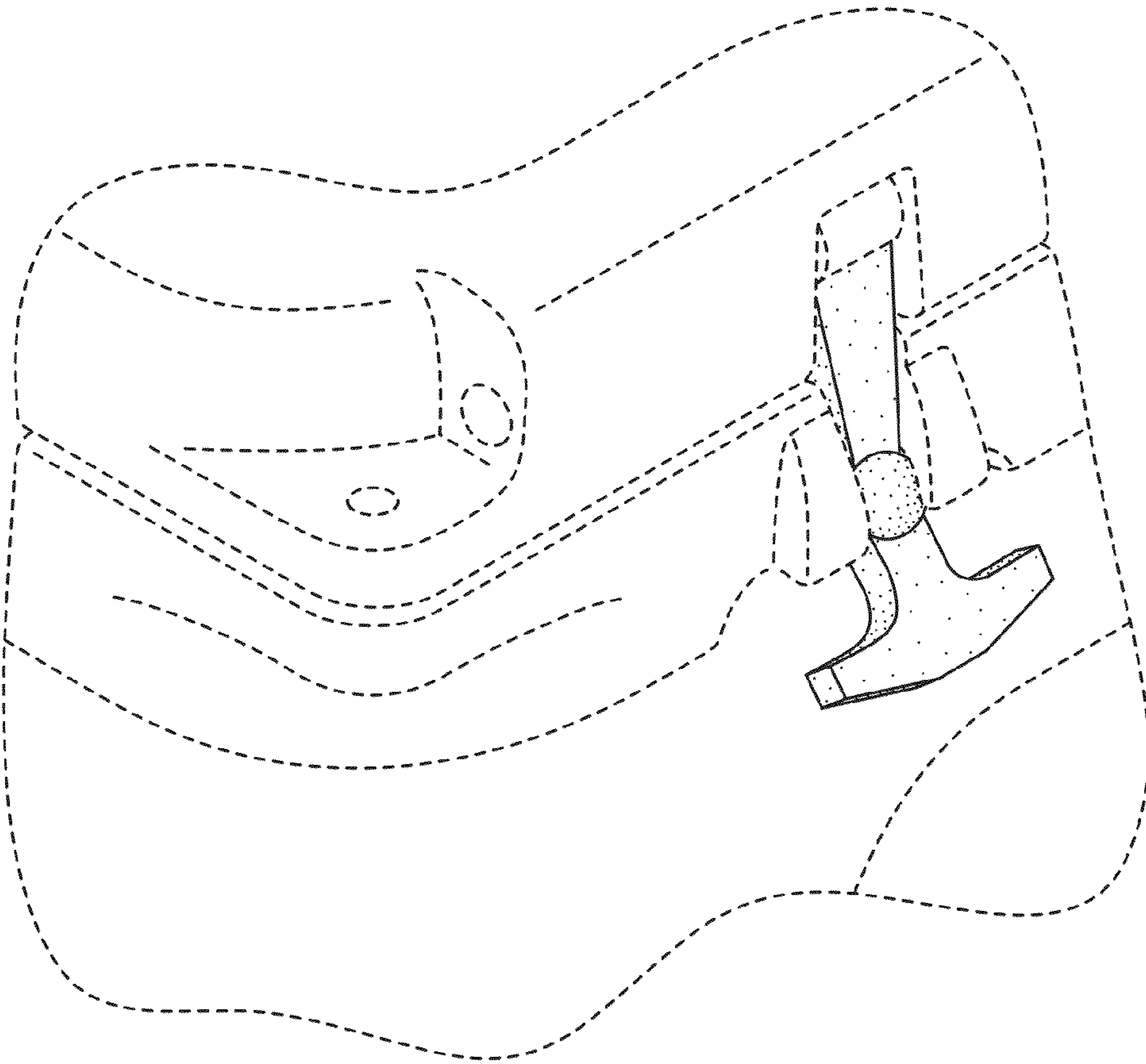


FIG. 2

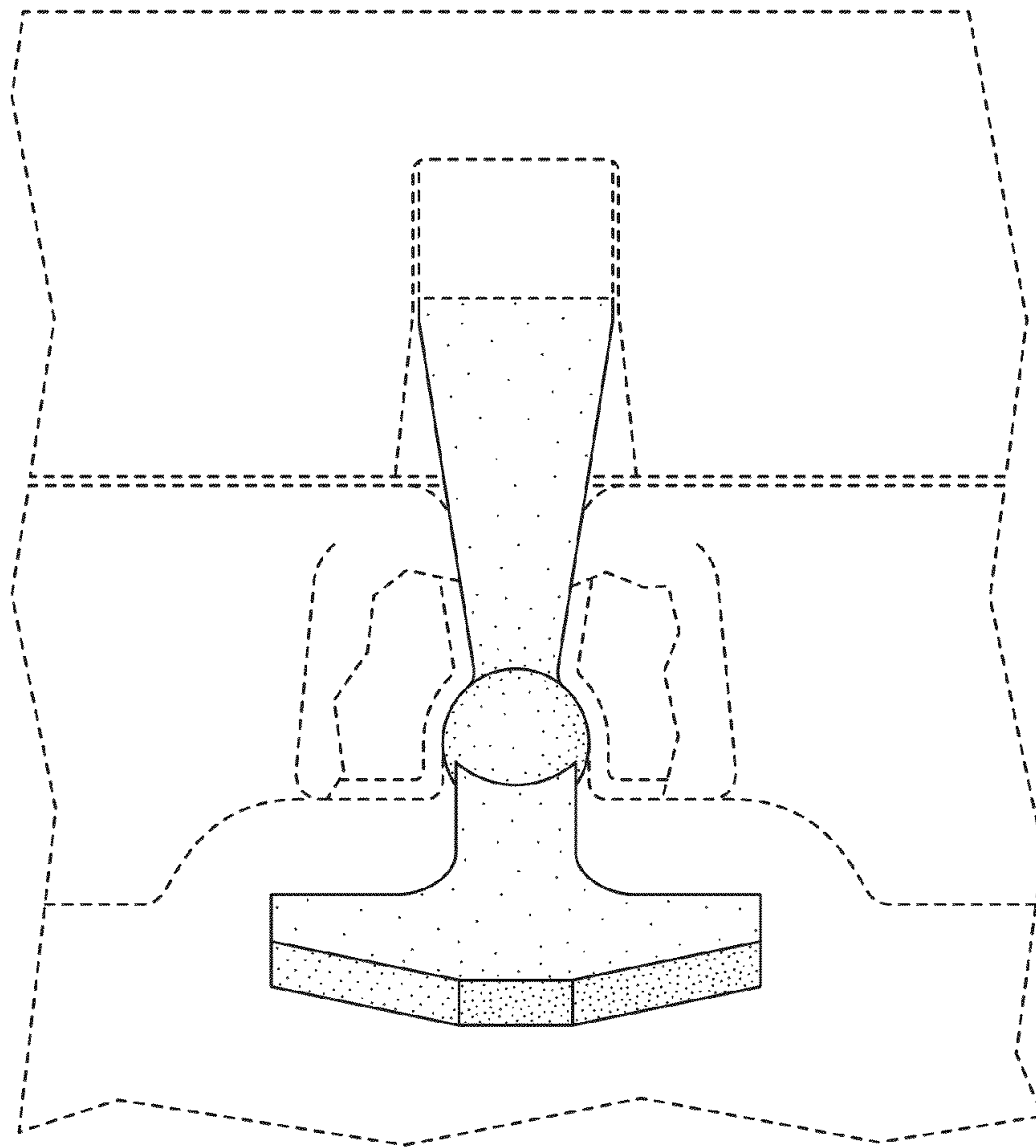


FIG. 3

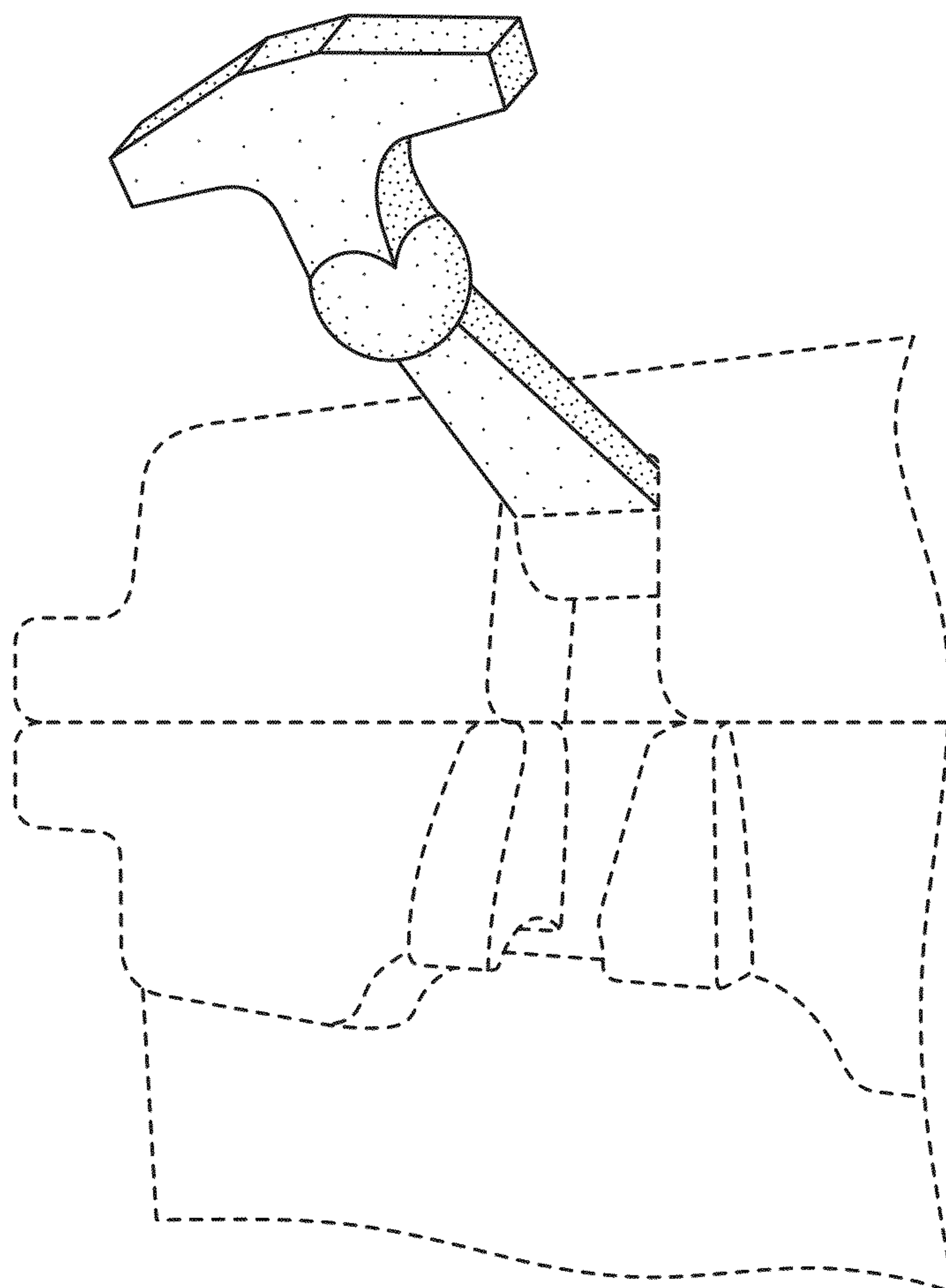


FIG. 4

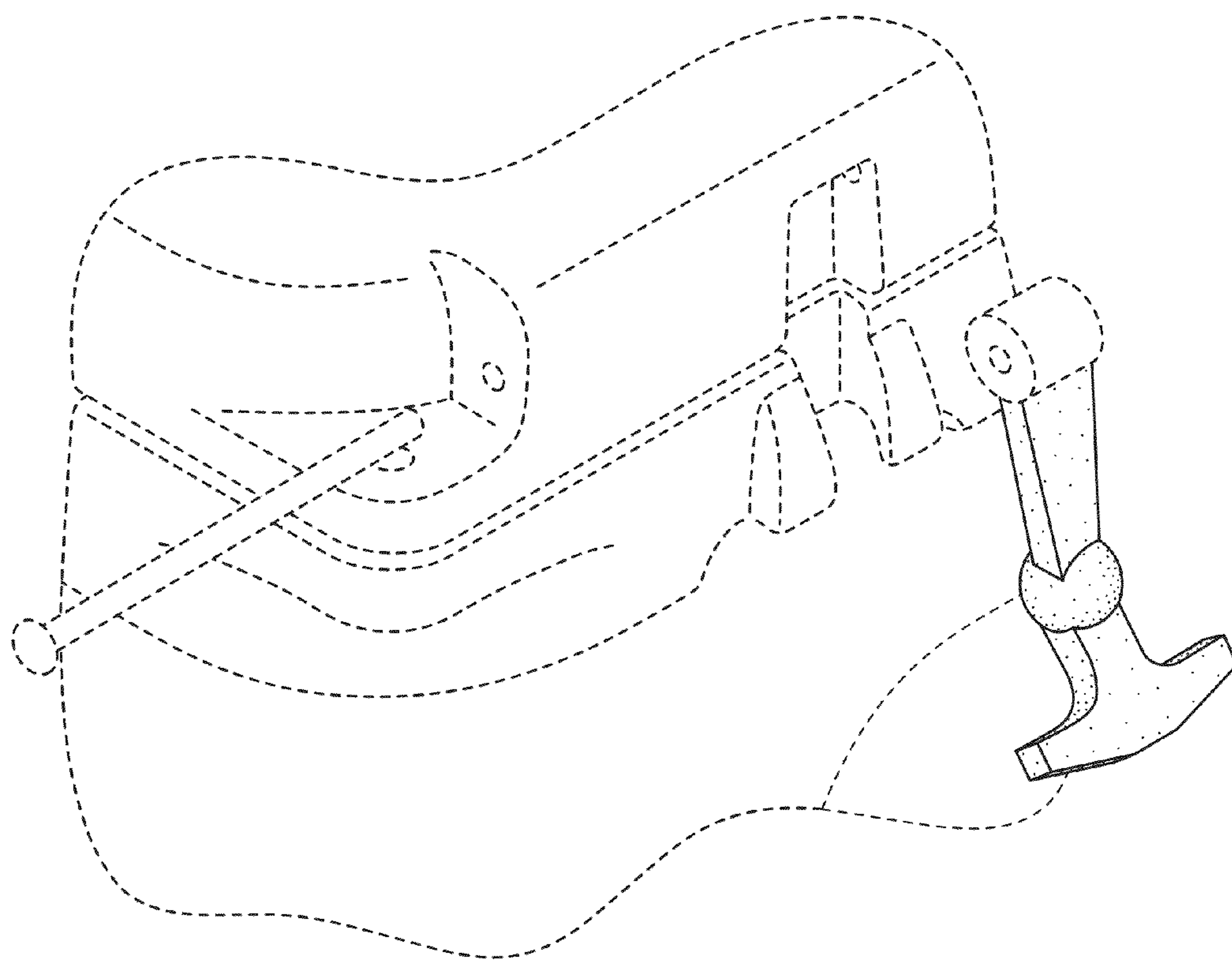


FIG. 5

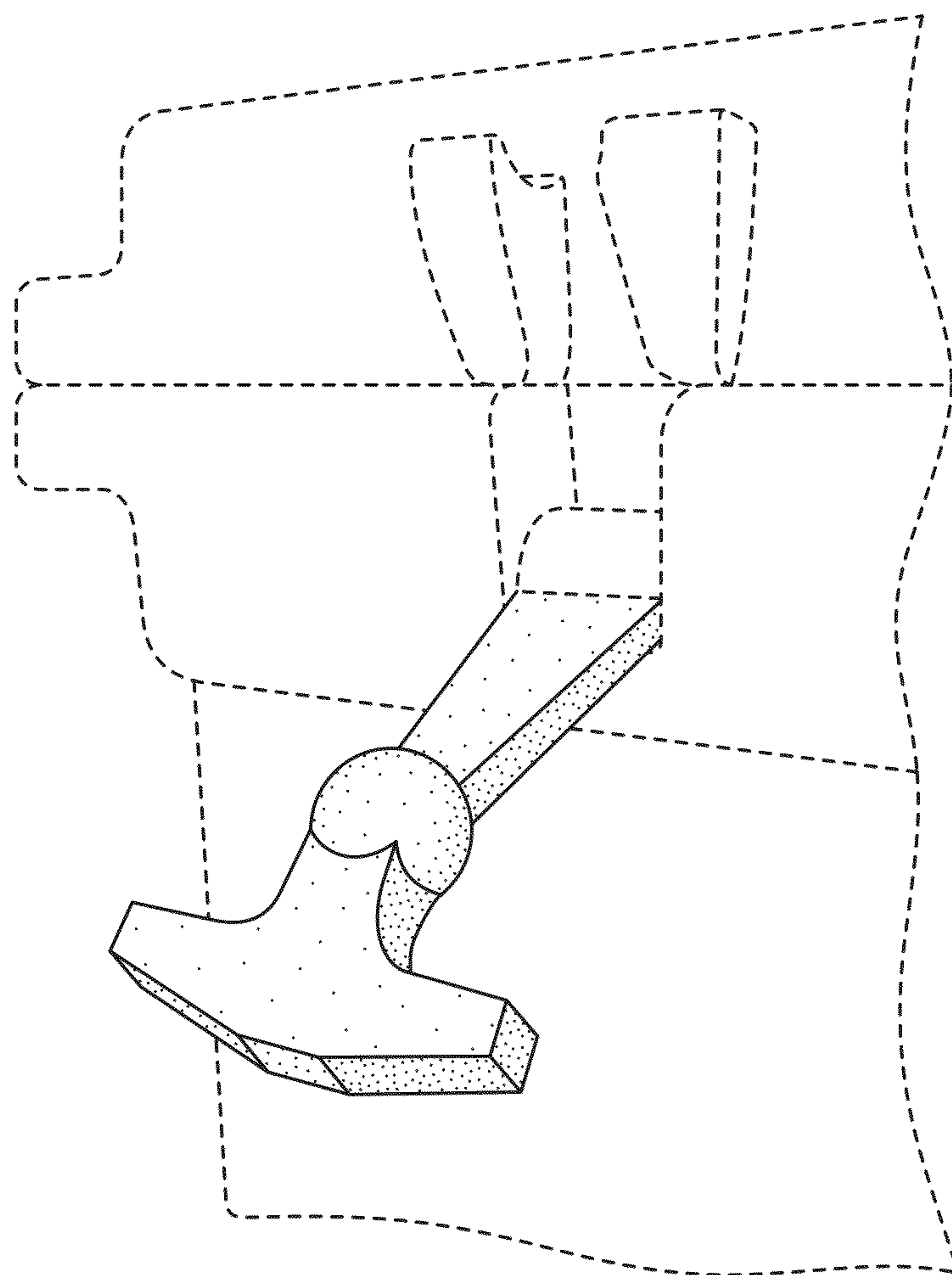


FIG. 6