



US00D712718S

(12) **United States Design Patent**
Thrush et al.

(10) **Patent No.:** **US D712,718 S**
(45) **Date of Patent:** **** Sep. 9, 2014**

- (54) **HINGE**
- (71) Applicant: **Moddex Group Pty Ltd**, Boronia (AU)
- (72) Inventors: **Stephen Thrush**, Maryborough (AU);
Dean Vos, Mooroolbark (AU); **Iain White**, St Kilda (AU)
- (73) Assignee: **Moddex Group Pty Ltd**, Victoria (AU)
- (**) Term: **14 Years**
- (21) Appl. No.: **29/447,938**

4,980,947 A *	1/1991	McQuigge	16/235
D392,175 S *	3/1998	Beck	D8/323
6,269,520 B1 *	8/2001	Kovalchek	16/221
D500,660 S *	1/2005	Larner et al.	D8/323

FOREIGN PATENT DOCUMENTS

EM 001390042-0002 * 12/2013

* cited by examiner

Primary Examiner — Deanna L Pratt

Assistant Examiner — Lilyana Bekic

(74) *Attorney, Agent, or Firm* — Holland & Hart LLP

- (22) Filed: **Mar. 7, 2013**
- (51) **LOC (10) Cl.** **08-06**
- (52) **U.S. Cl.**
USPC **D8/323**
- (58) **Field of Classification Search**
USPC D8/323, 328, 324, 325, 327, 331, 336,
D8/338, 329, 402, 355, 356; D16/334;
D3/905; 4/236, 240; 16/309, 235, 275,
16/244, 379, 390, 241, 238, 245, 236, 243,
16/242, 385, 225, 250; 49/381
See application file for complete search history.

(57) **CLAIM**

The ornamental design for a hinge, as shown and described.

DESCRIPTION

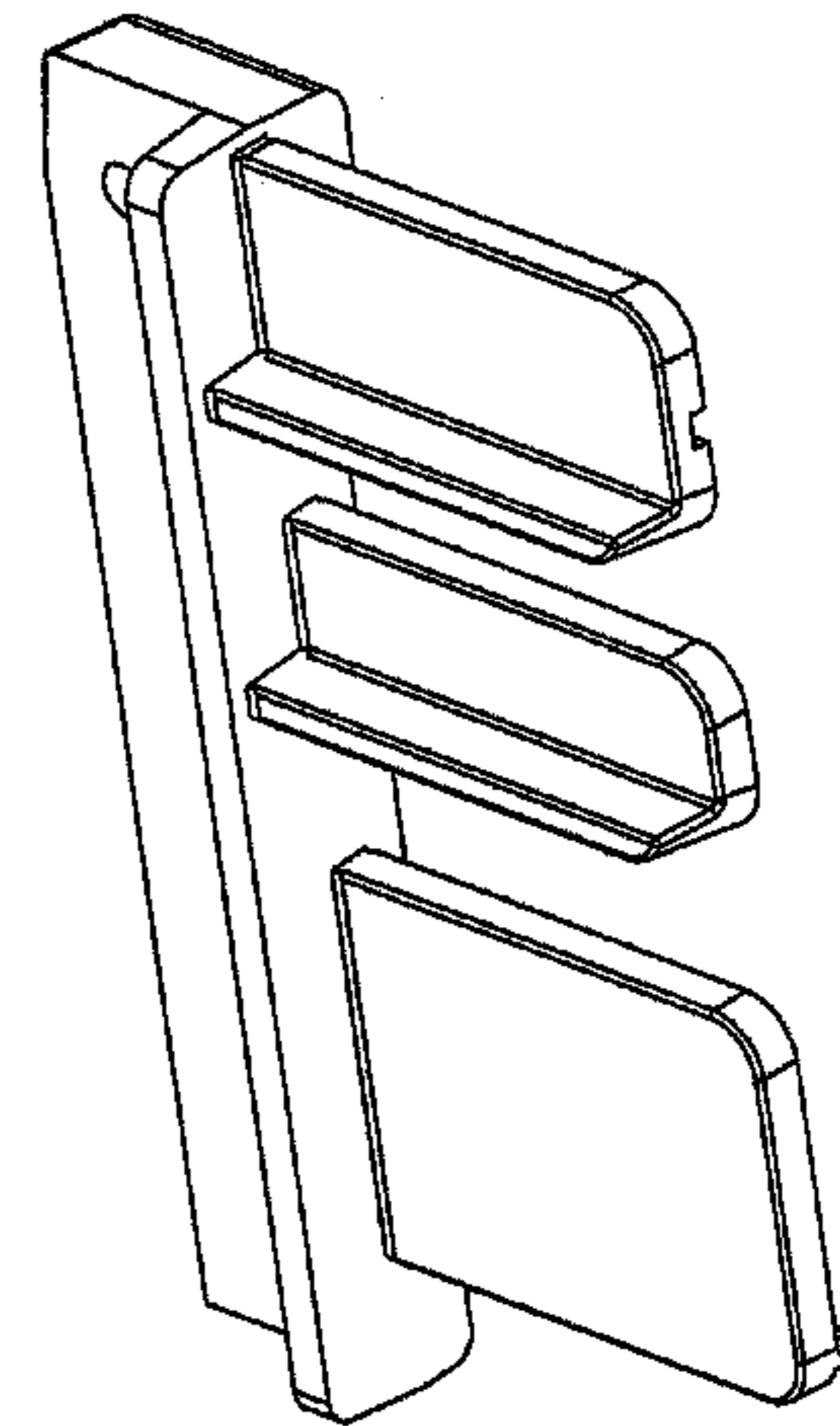
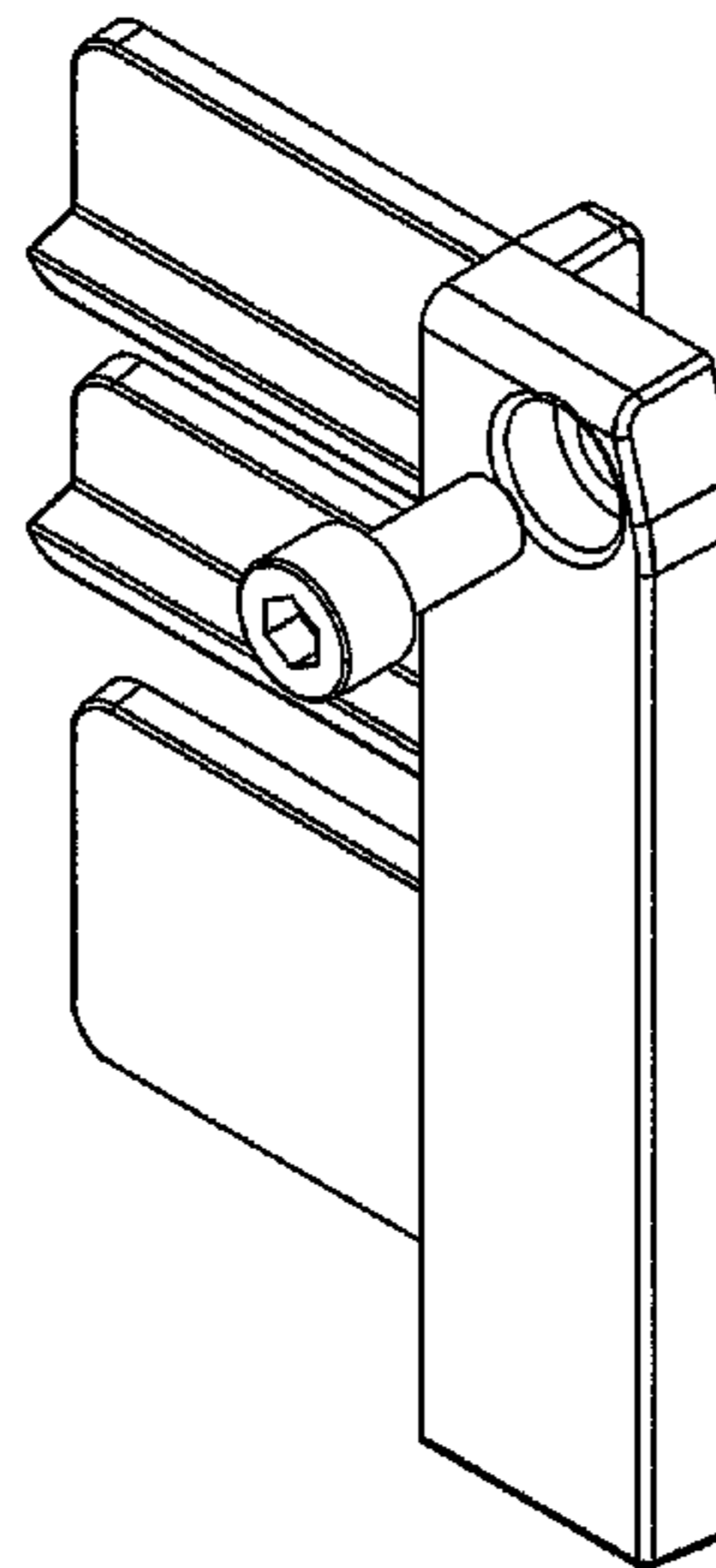
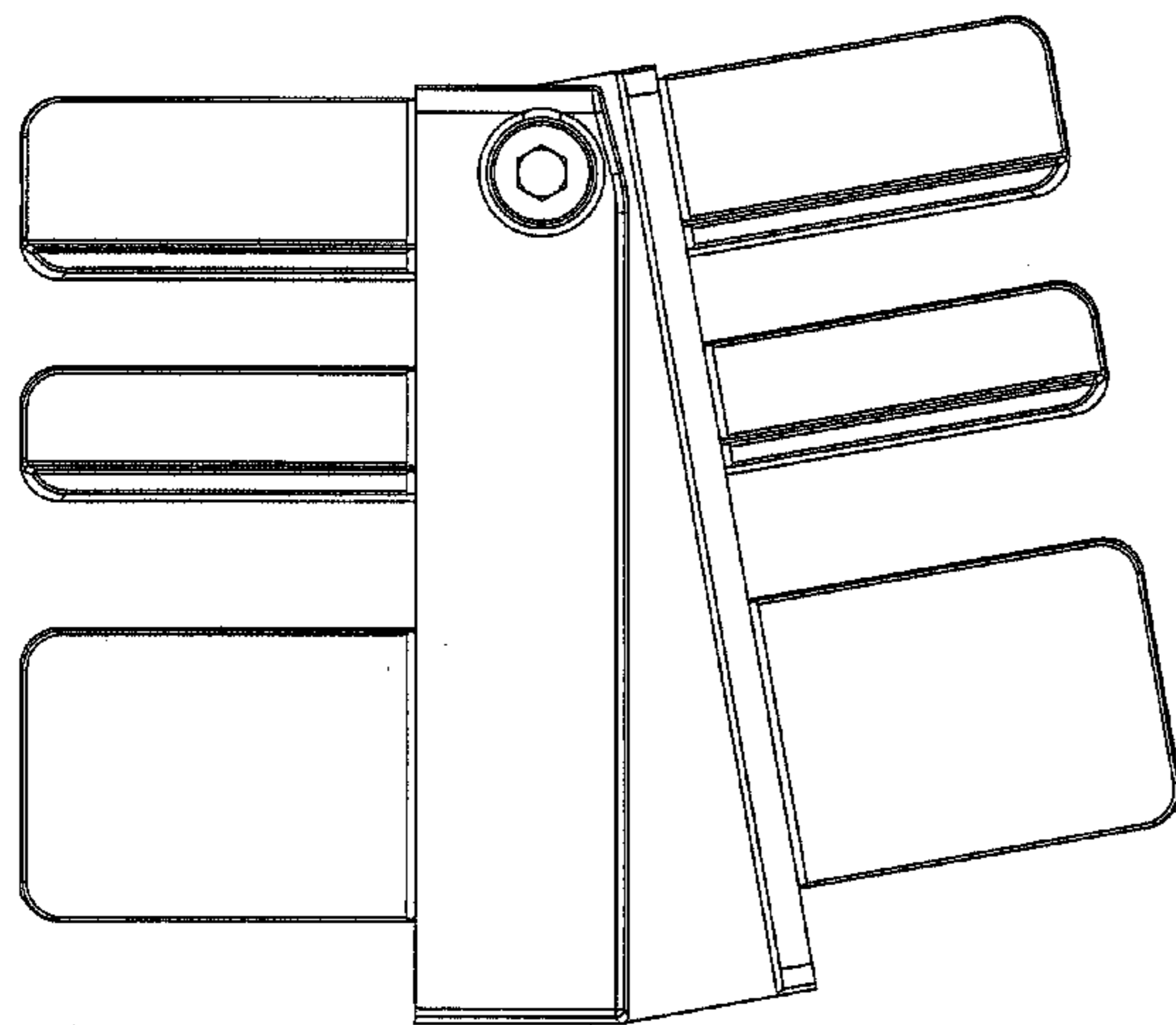
FIG. 1 is a top view of the hinge in an open configuration, showing my new design;
 FIG. 2 is a front view of the design in an angled configuration;
 FIG. 3 is a right side view of the design illustrated in FIG. 1, the left side view being a mirror image thereof;
 FIG. 4 is an exploded view of the design illustrated in FIG. 1;
 FIG. 5 is a perspective view of the design in an angled configuration; and,
 FIG. 6 is a perspective view of the design in a straight configuration.

(56) **References Cited**

U.S. PATENT DOCUMENTS

595,789 A *	12/1897	Smith	256/26
1,807,063 A *	5/1931	Garrison	16/263

1 Claim, 6 Drawing Sheets



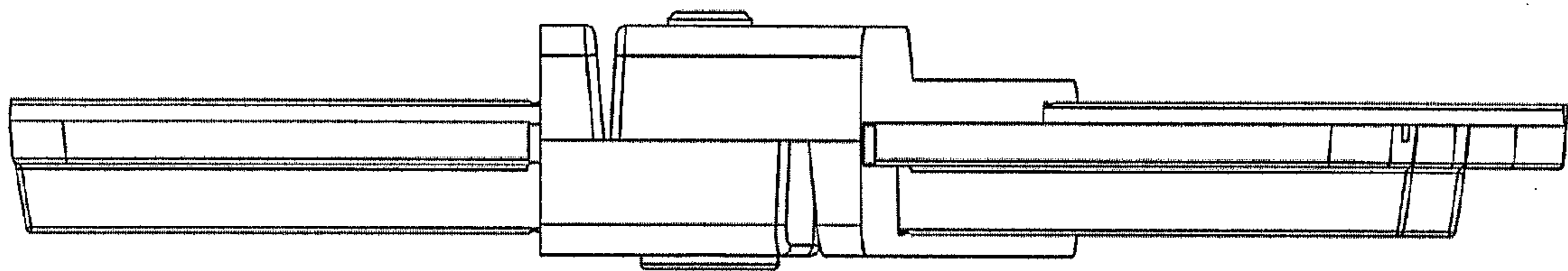


Fig. 1

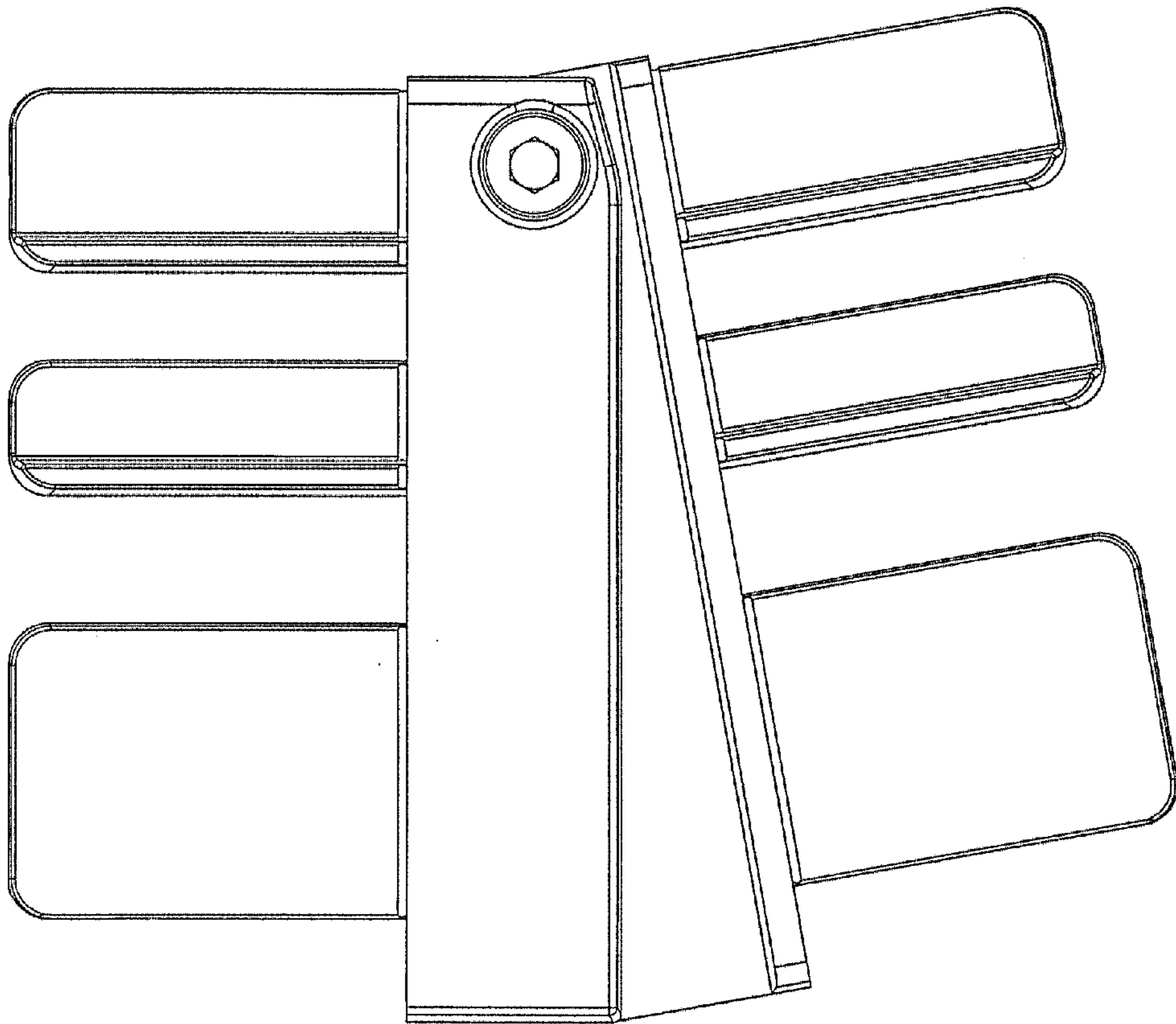


Fig. 2

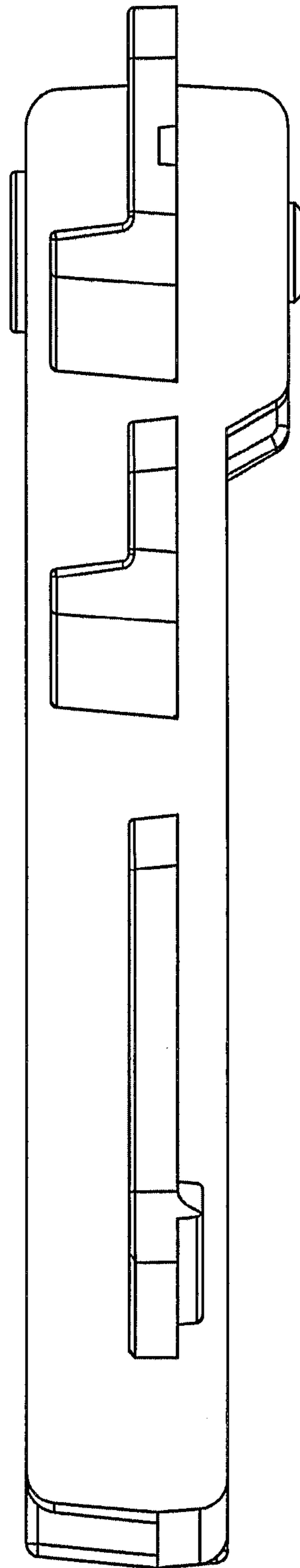


Fig. 3

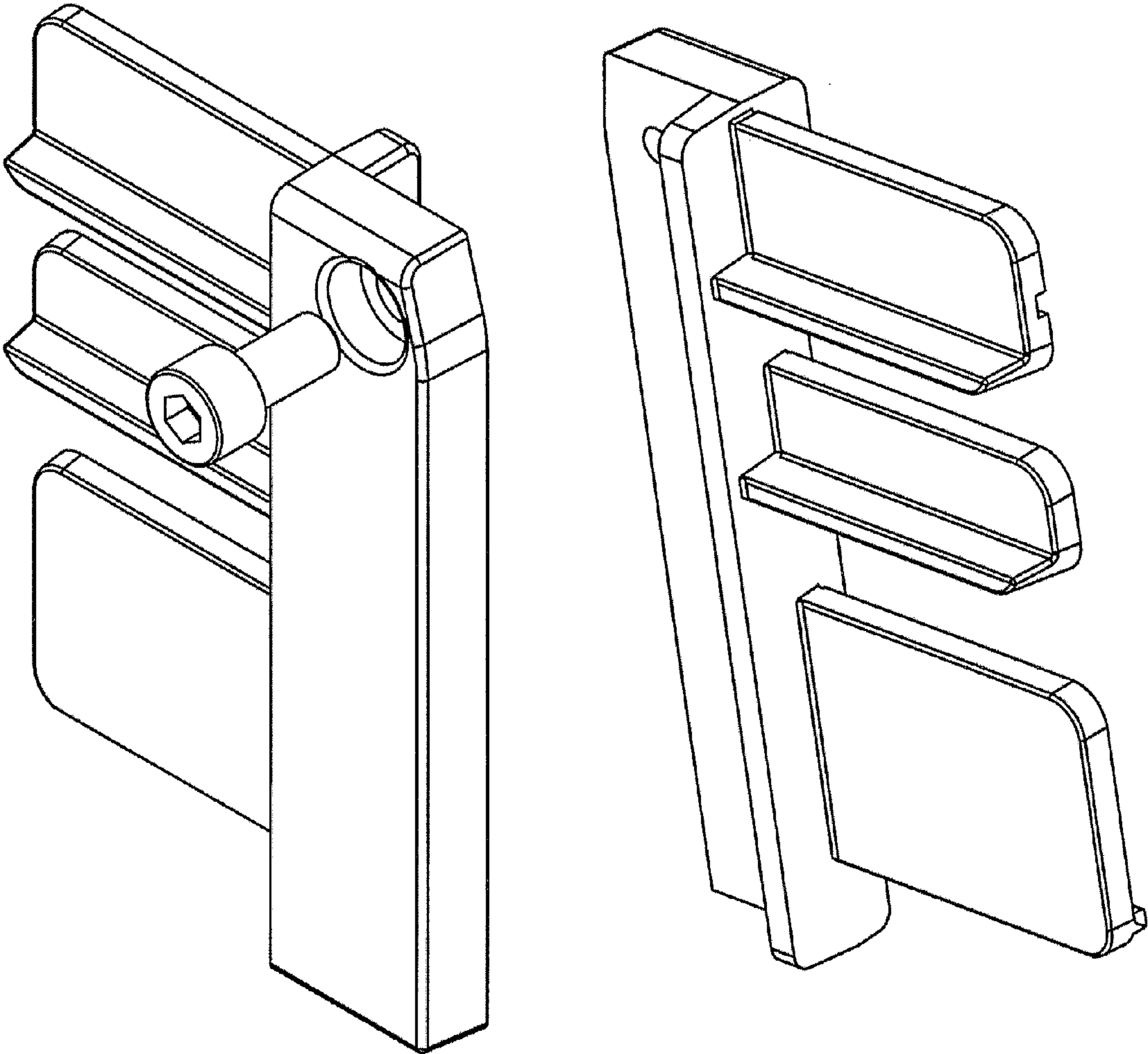


Fig. 4

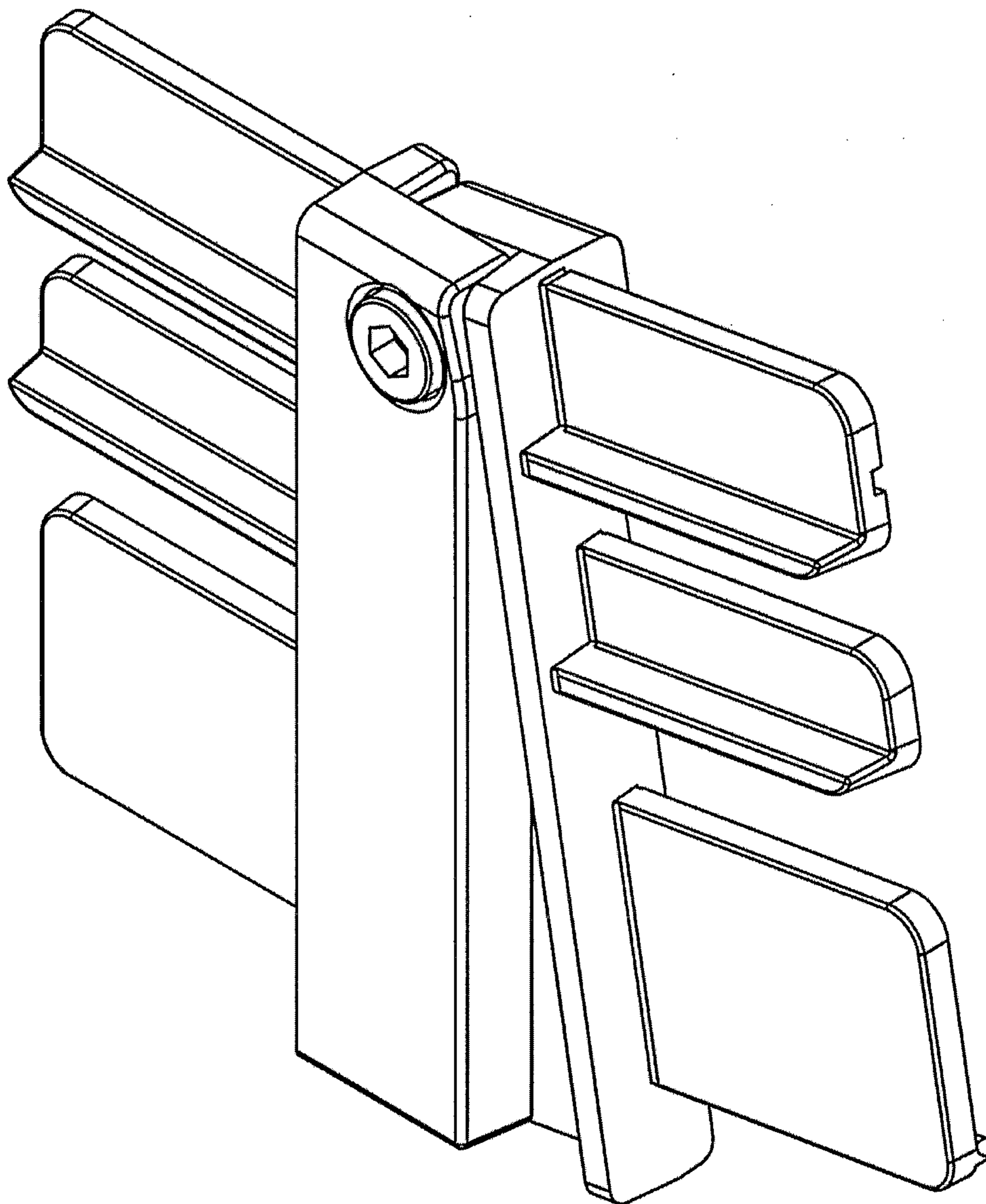


Fig. 5

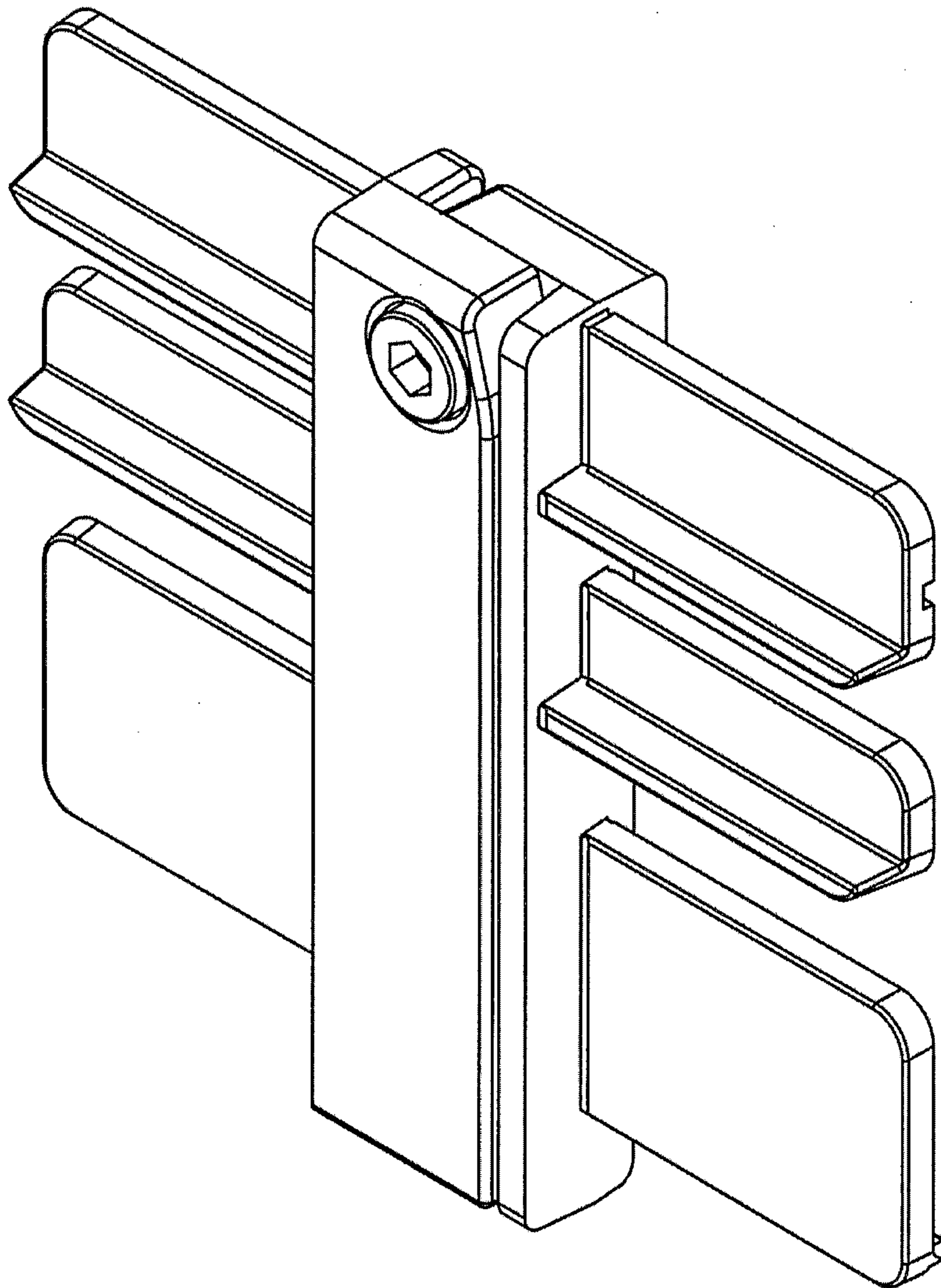


Fig. 6