



US00D712716S

(12) **United States Design Patent**
Taylor

(10) **Patent No.:** **US D712,716 S**

(45) **Date of Patent:** **** Sep. 9, 2014**

(54) **RIBBED ELECTRONIC KNOB**

Primary Examiner — Mark Goodwin

(71) Applicant: **Cliff Electronic Components Limited**,
Redhill (GB)

(74) *Attorney, Agent, or Firm* — Kirton McConkie; Evan R. Witt

(72) Inventor: **Robert Taylor**, Redhill (GB)

(57) **CLAIM**

(73) Assignee: **Cliff Electronic Components Limited**,
Redhill (GB)

The ornamental design for a ribbed electronic knob, as shown and described.

(**) Term: **14 Years**

DESCRIPTION

(21) Appl. No.: **29/456,175**

(22) Filed: **May 29, 2013**

(30) **Foreign Application Priority Data**

Dec. 20, 2012 (EM) 002157594

(51) **LOC (10) Cl.** **08-06**

(52) **U.S. Cl.**
USPC **D8/312; D8/307**

(58) **Field of Classification Search**

USPC D8/300–303, 305–312, 321, DIG. 2,
D8/DIG. 1; D7/402, 405, 393; 74/553, 548,
74/558.5; 116/309, 315, 311, 312, 319,
116/320; 200/316, 336; 345/156; 16/441,
16/110 R, 114 R, 121, 118, 414; 292/413,
292/263

See application file for complete search history.

(56) **References Cited**

U.S. PATENT DOCUMENTS

D324,479	S	*	3/1992	Tinz	D8/310
D324,986	S	*	3/1992	Fratantonio et al.	D8/312
D328,559	S	*	8/1992	Wilson	D8/312
D344,440	S	*	2/1994	Oakley	D8/311
D424,401	S	*	5/2000	Ziemer	D8/312
D475,269	S	*	6/2003	Matern	D8/312
D493,362	S	*	7/2004	Aukzemas et al.	D8/387
D494,458	S	*	8/2004	Aukzemas et al.	D8/387
D580,253	S	*	11/2008	Ulrich et al.	D8/312
D654,345	S	*	2/2012	McCune et al.	D8/312

* cited by examiner

FIG. 1 is a top perspective view of a ribbed electronic knob showing my new design having one rib between each pair of looped corner ribs.

FIG. 2 is a bottom perspective view thereof.

FIG. 3 is a front elevation view thereof.

FIG. 4 is a rear elevation view thereof.

FIG. 5 is a left side elevation view thereof.

FIG. 6 is a right side elevation view thereof.

FIG. 7 is a top plan view thereof.

FIG. 8 is a bottom plan view thereof.

FIG. 9 is a top perspective view of a second embodiment of a ribbed electronic knob showing my new design having two ribs between each pair of looped corner ribs.

FIG. 10 is a bottom perspective view thereof.

FIG. 11 is a front elevation view thereof.

FIG. 12 is a rear elevation view thereof.

FIG. 13 is a left side elevation view thereof.

FIG. 14 is a right side elevation view thereof.

FIG. 15 is a top plan view thereof.

FIG. 16 is a bottom plan view thereof.

FIG. 17 is a top perspective view of a third embodiment of a ribbed electronic knob showing my new design having three ribs between each pair of looped corner ribs.

FIG. 18 is a bottom perspective view thereof.

FIG. 19 is a front elevation view thereof.

FIG. 20 is a rear elevation view thereof.

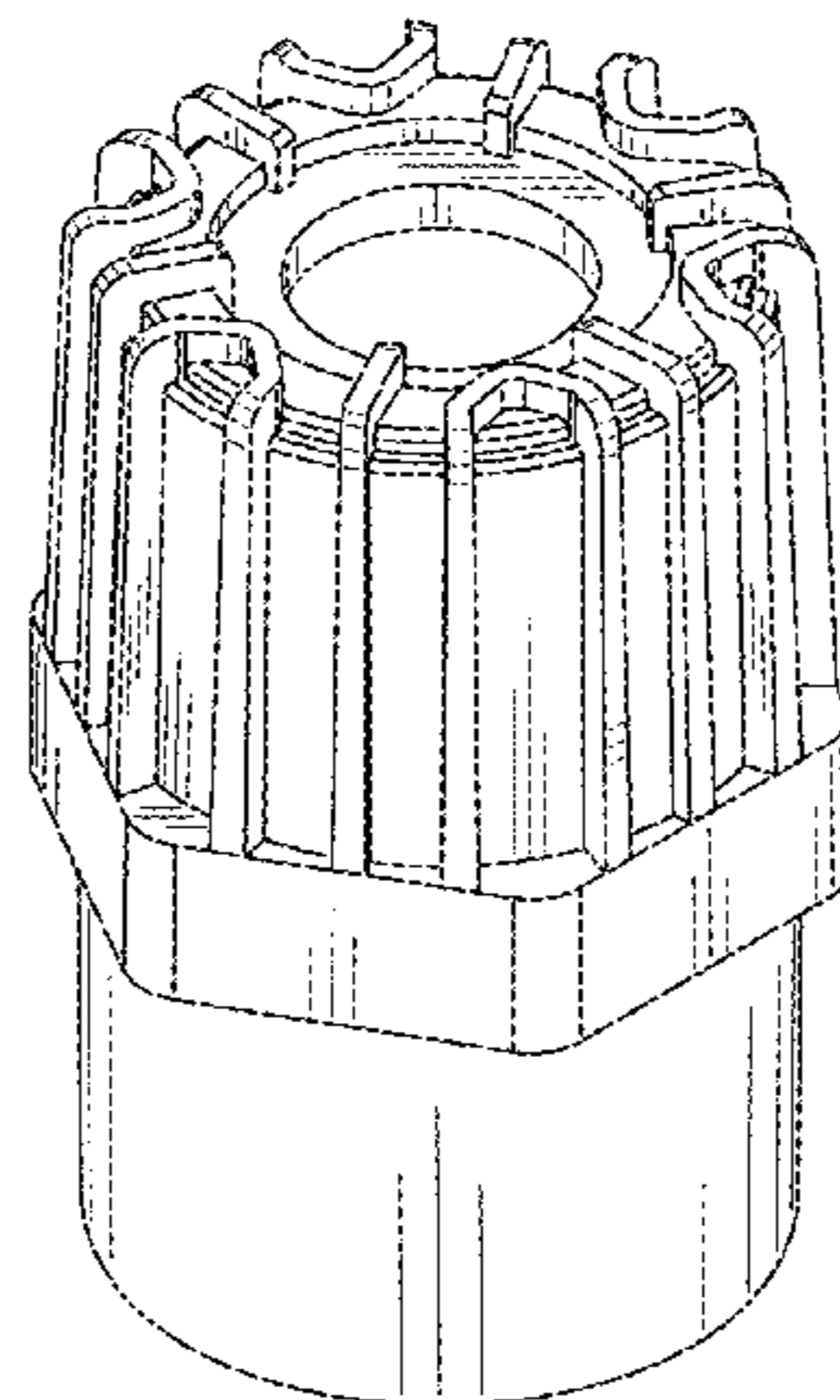
FIG. 21 is a left side elevation view thereof.

FIG. 22 is a right side elevation view thereof.

FIG. 23 is a top plan view thereof; and,

FIG. 24 is a bottom plan view thereof.

1 Claim, 9 Drawing Sheets



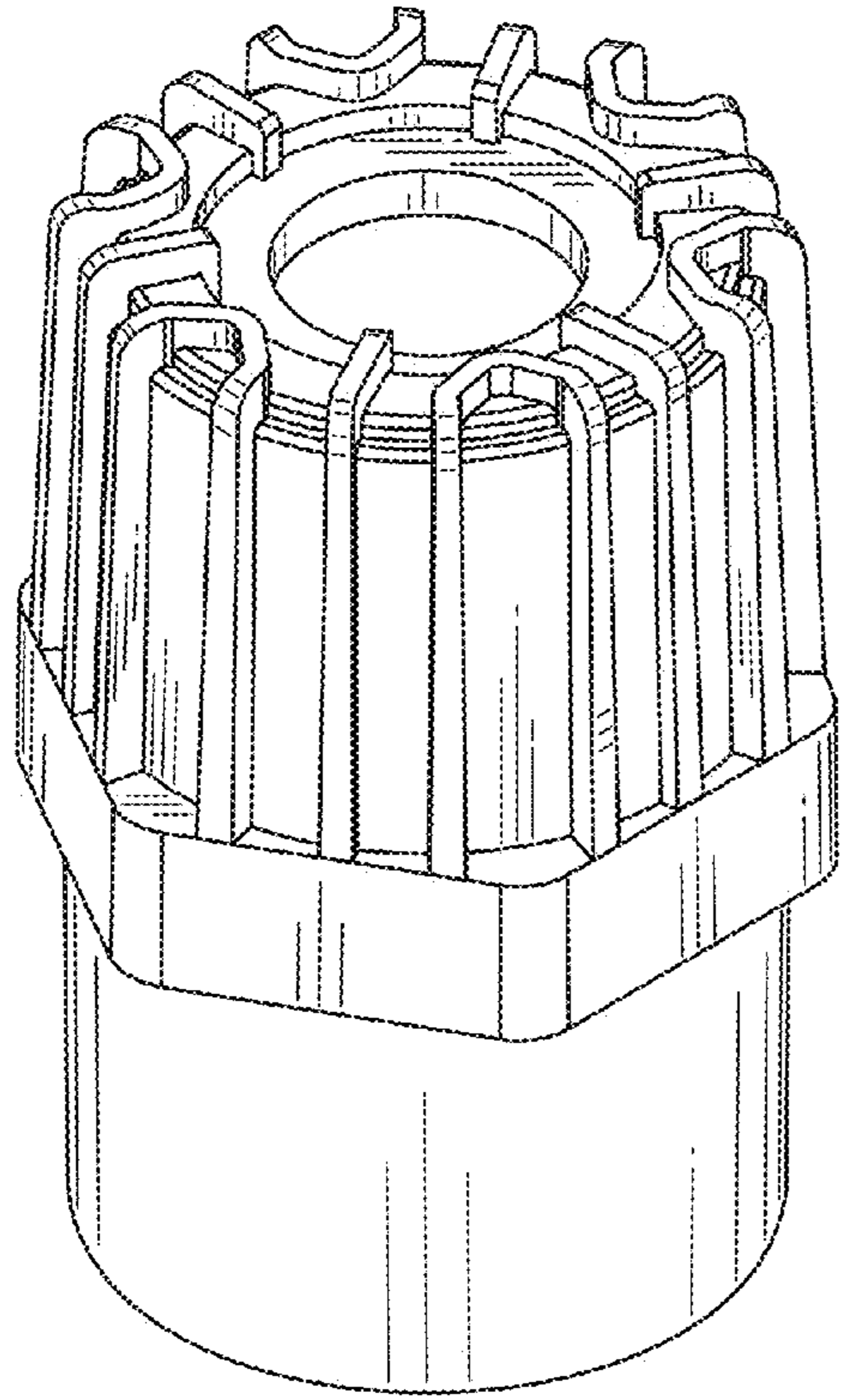


FIG. 1

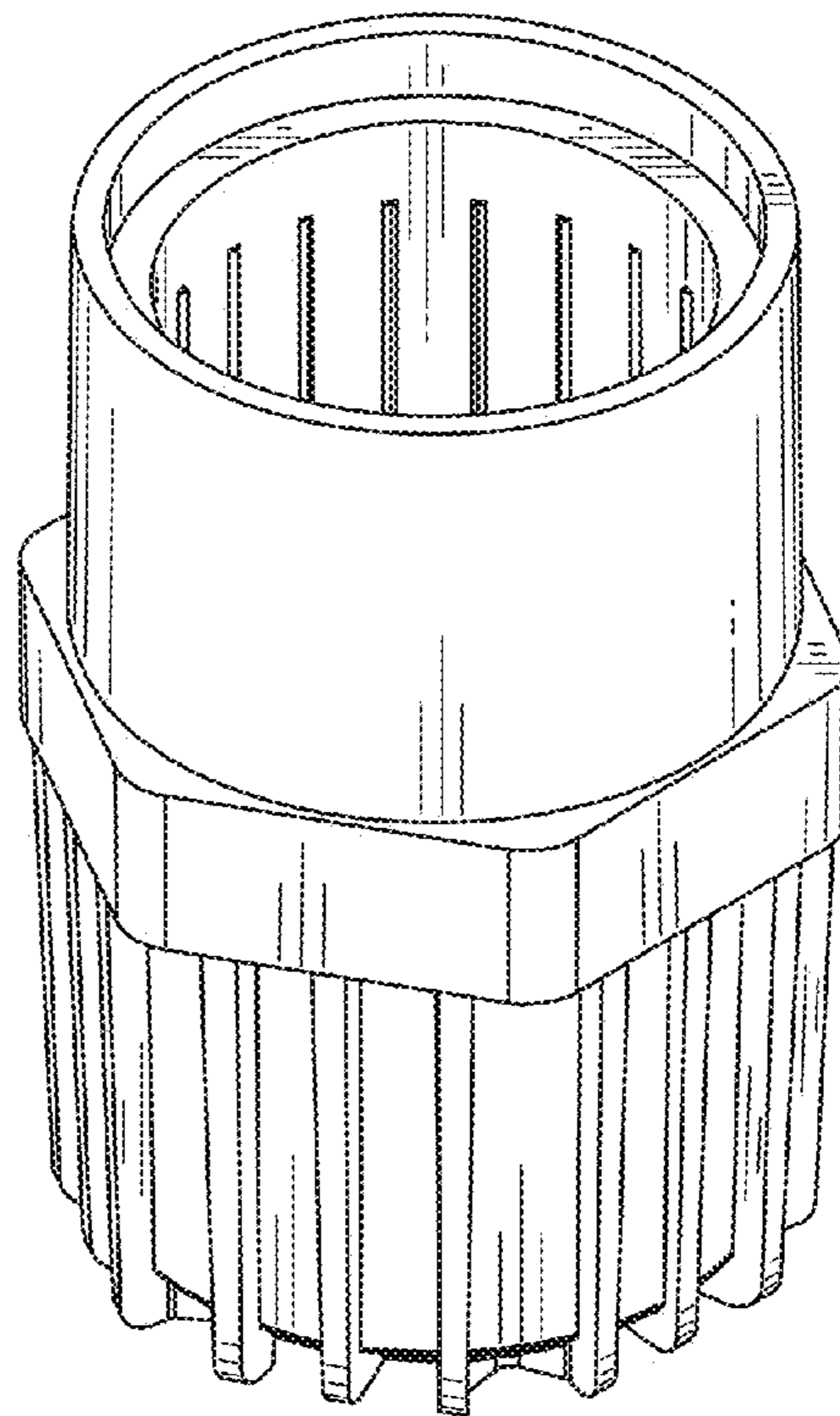


FIG. 2

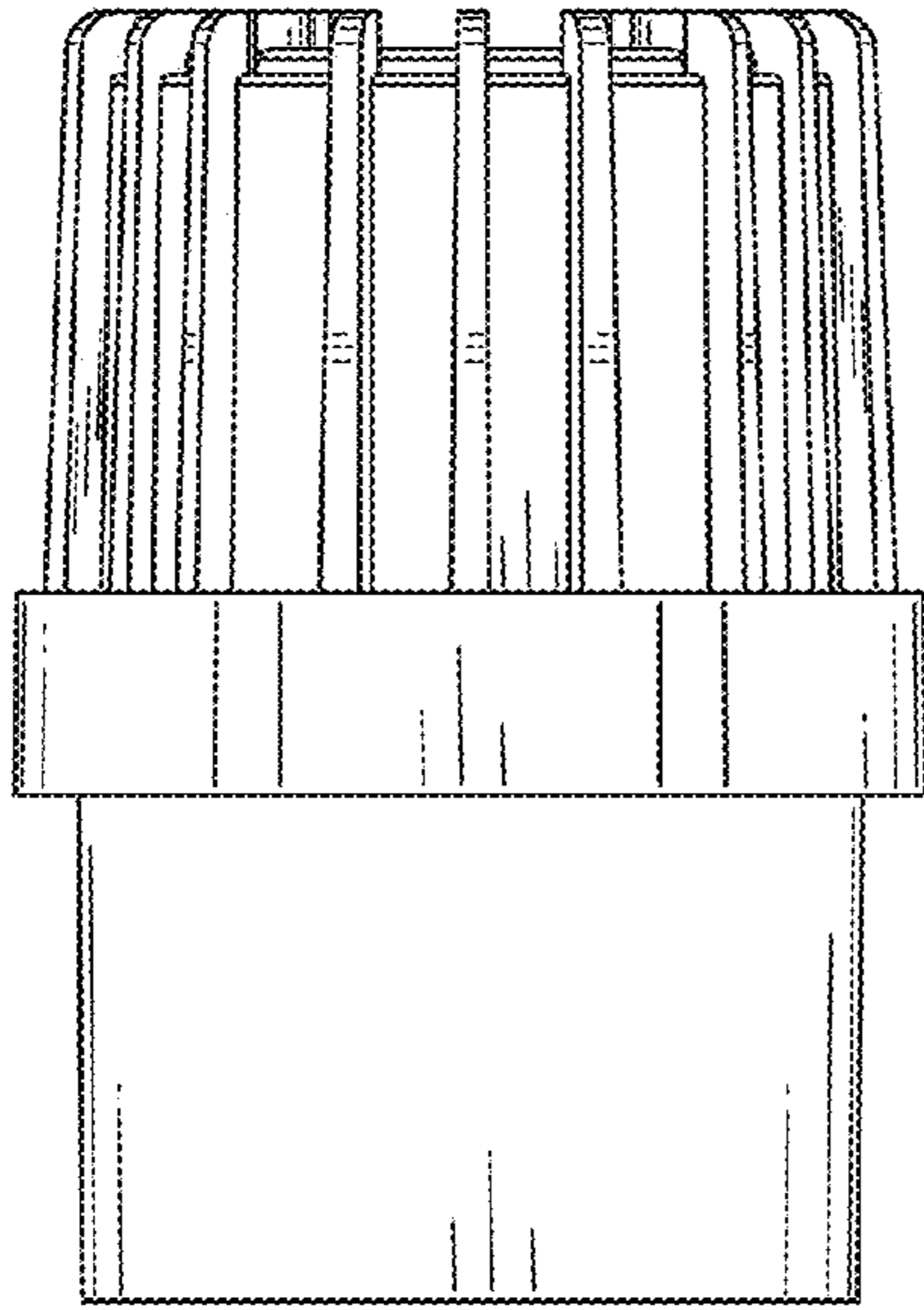


FIG. 3

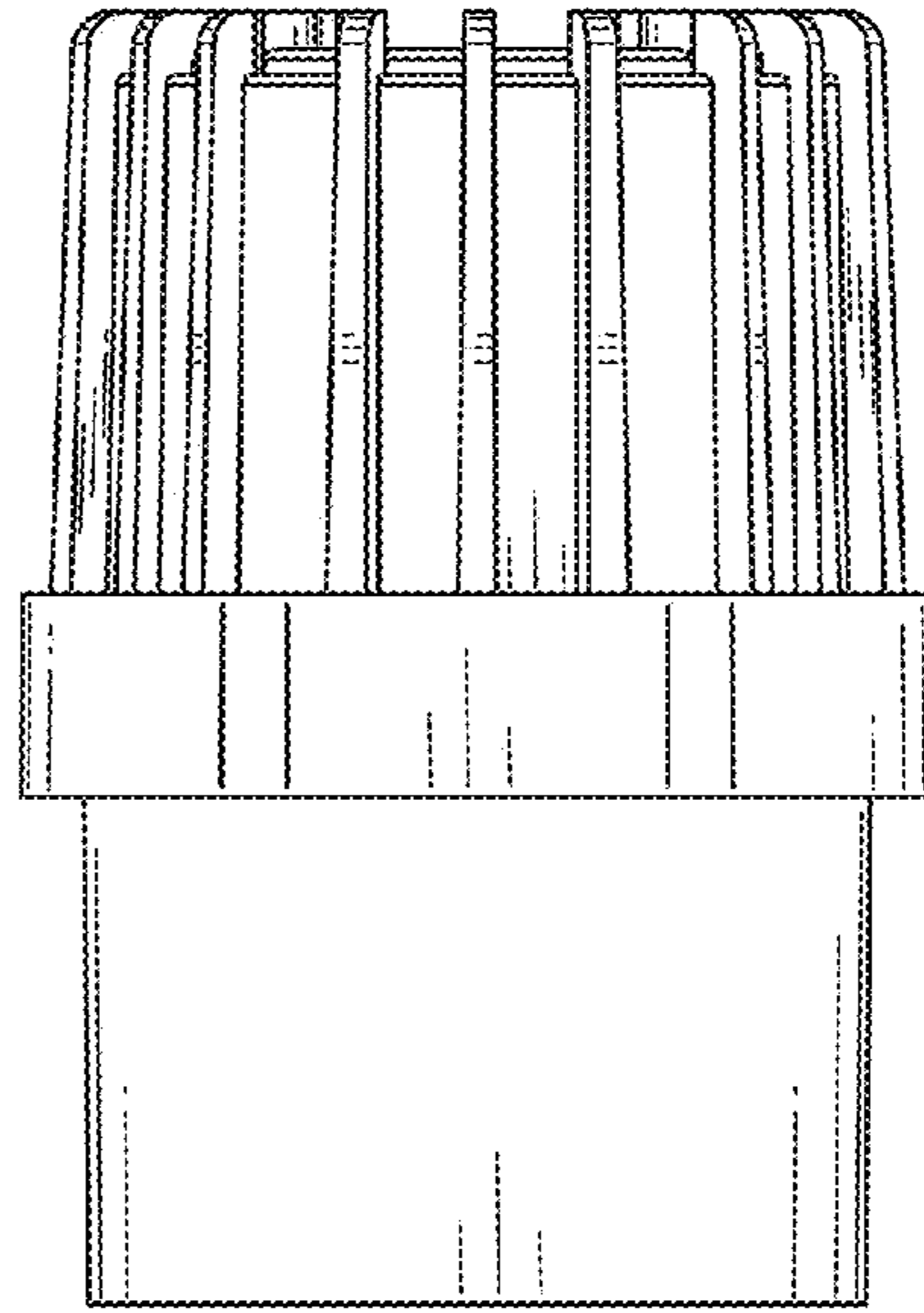


FIG. 4

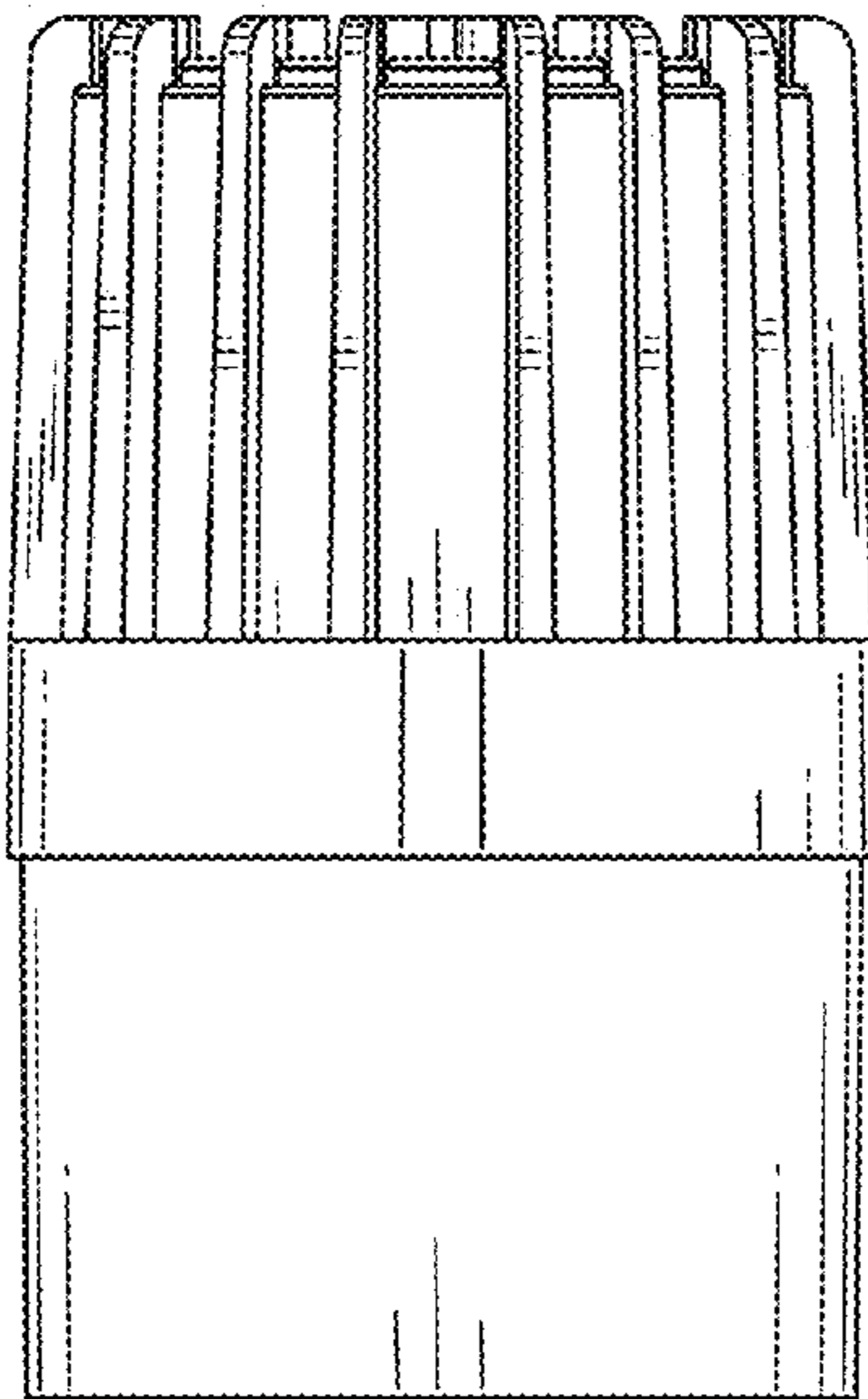


FIG. 5

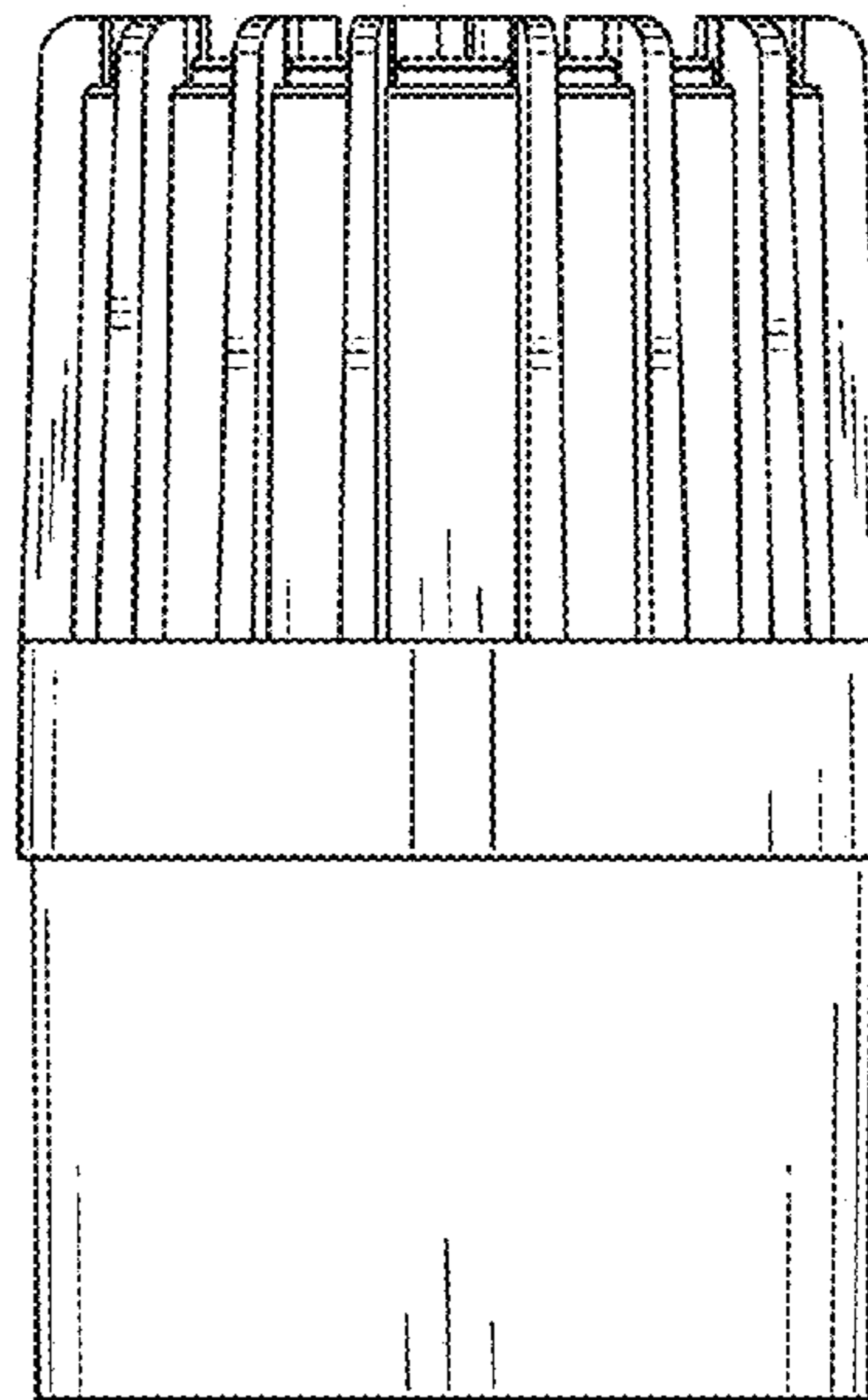


FIG. 6

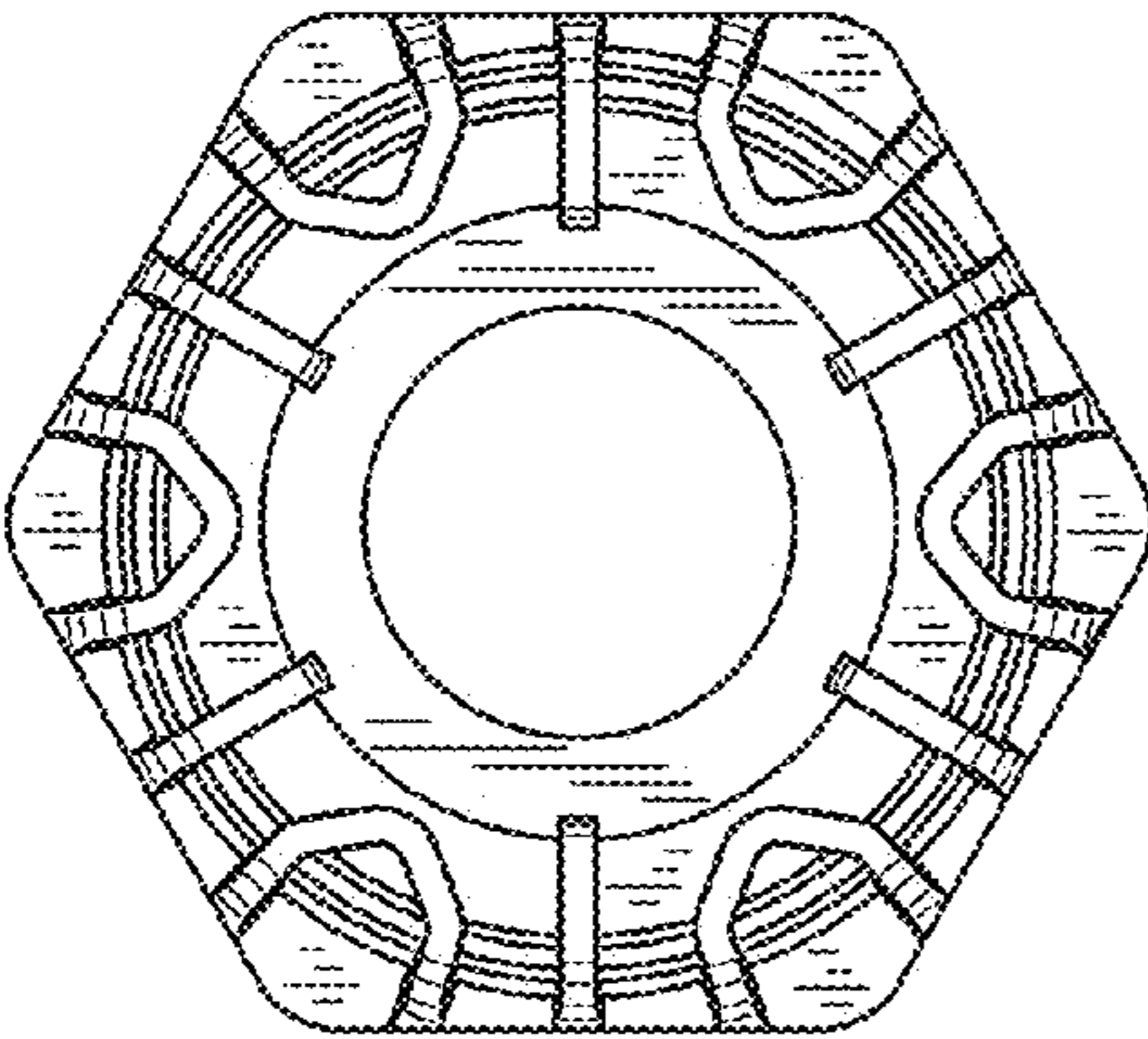


FIG. 7

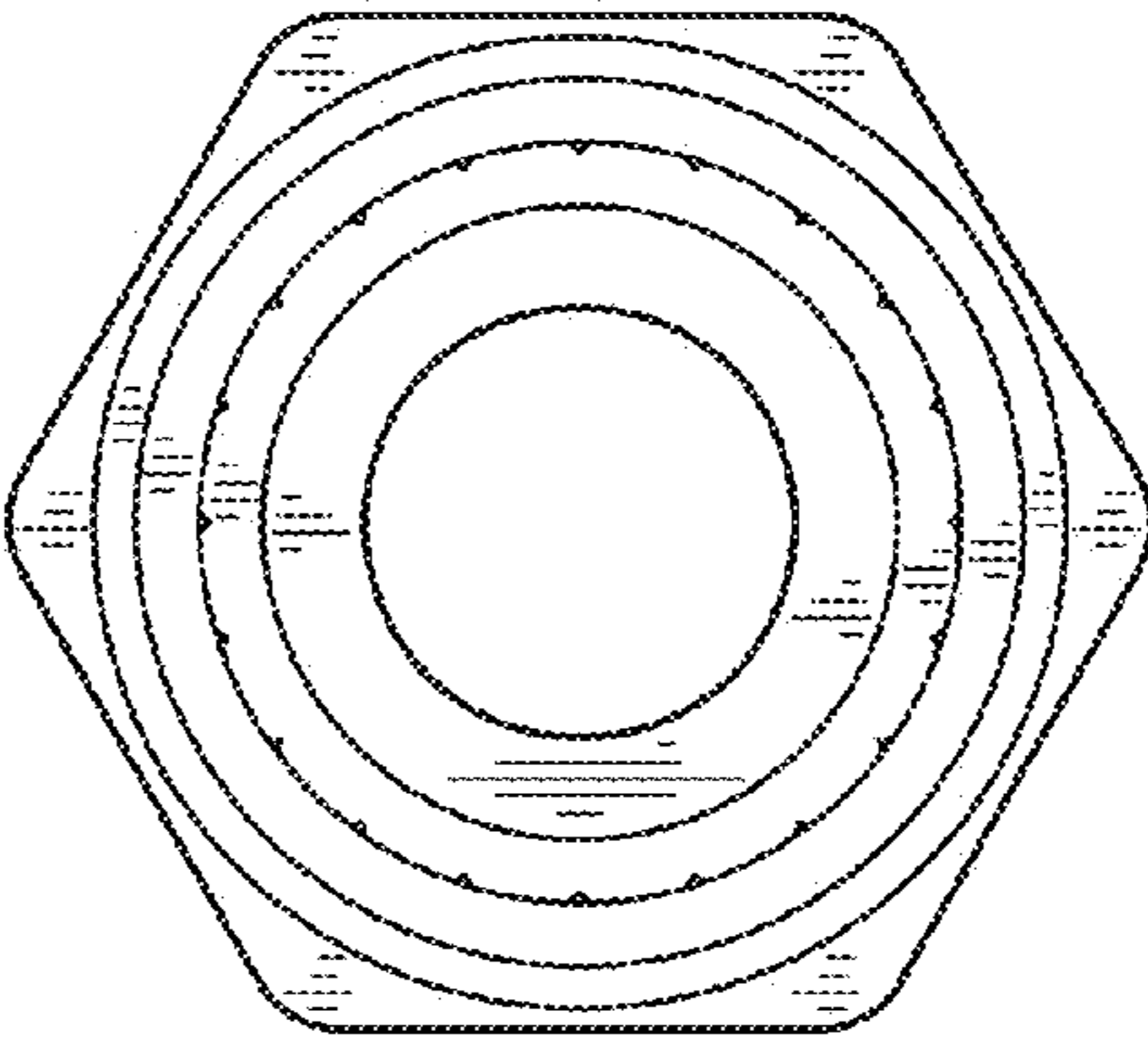


FIG. 8

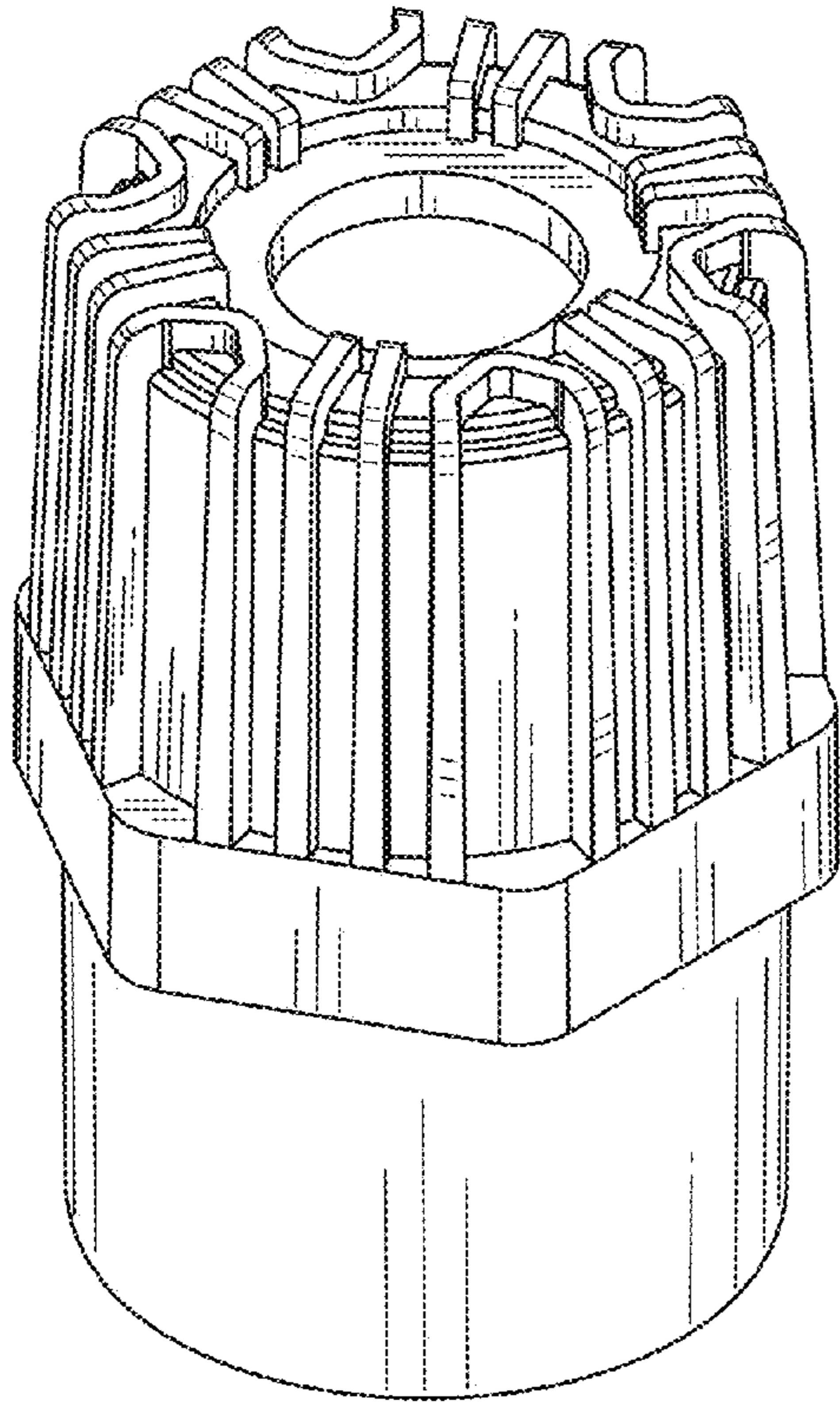


FIG. 9

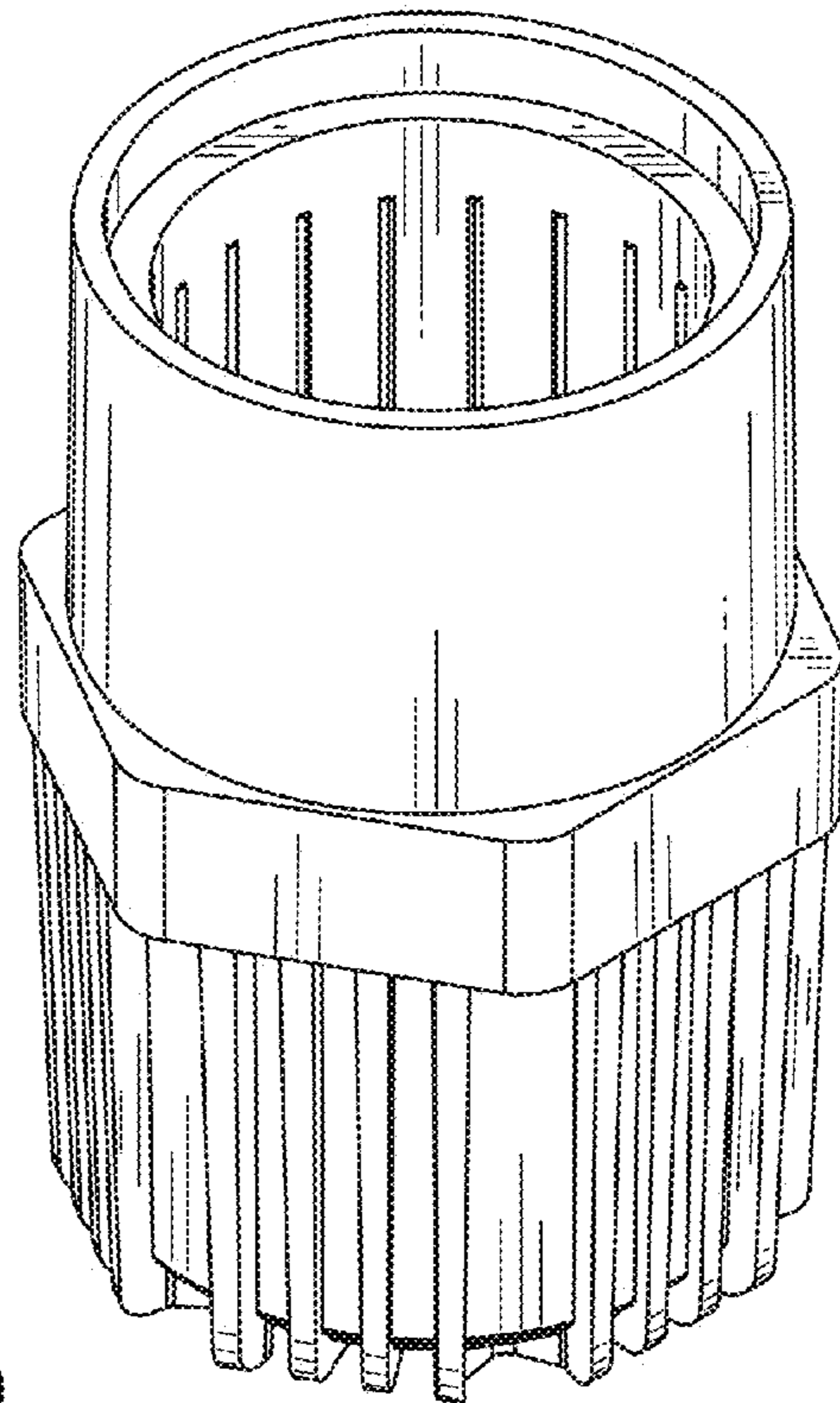


FIG. 10

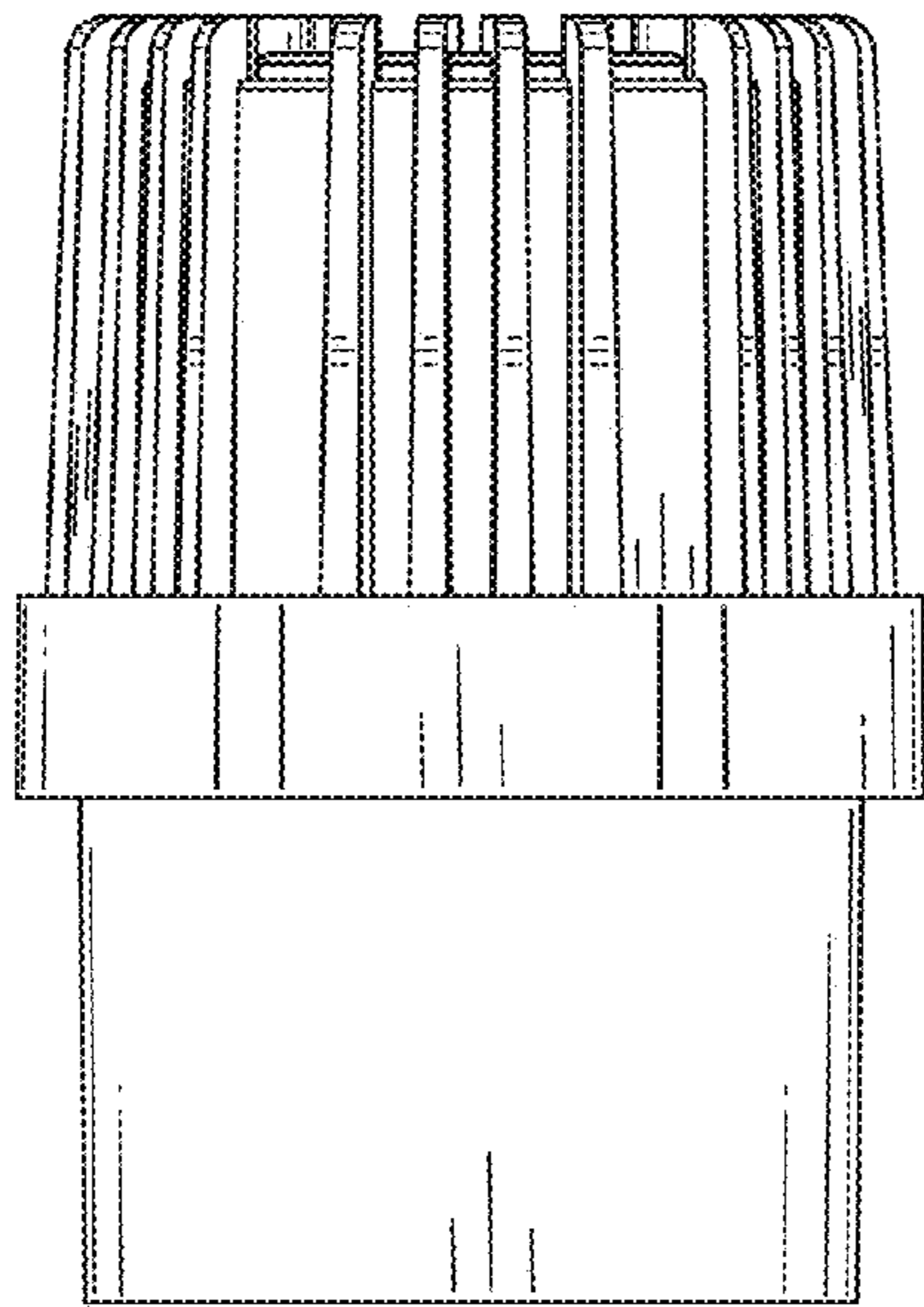


FIG. 11

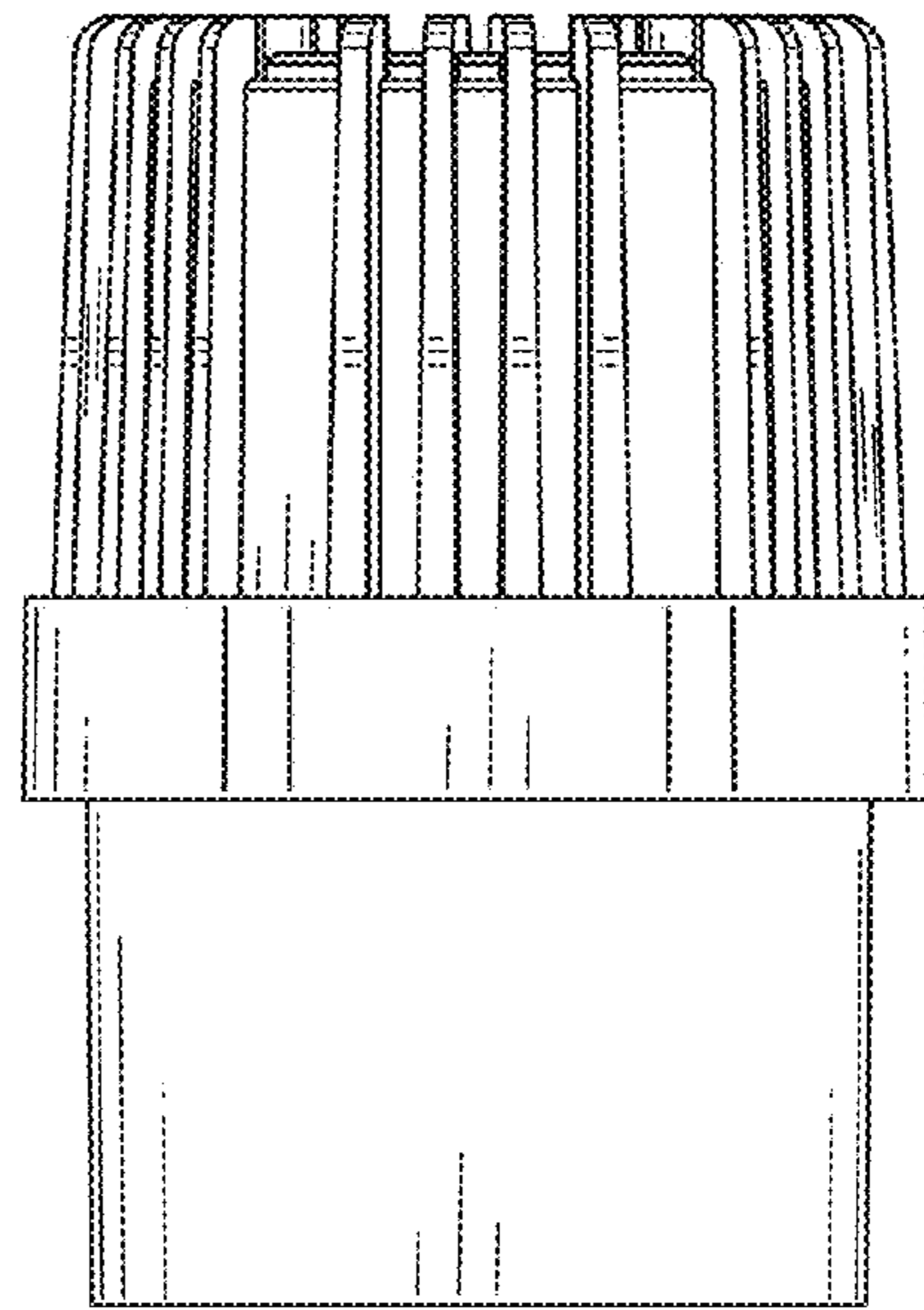


FIG. 12

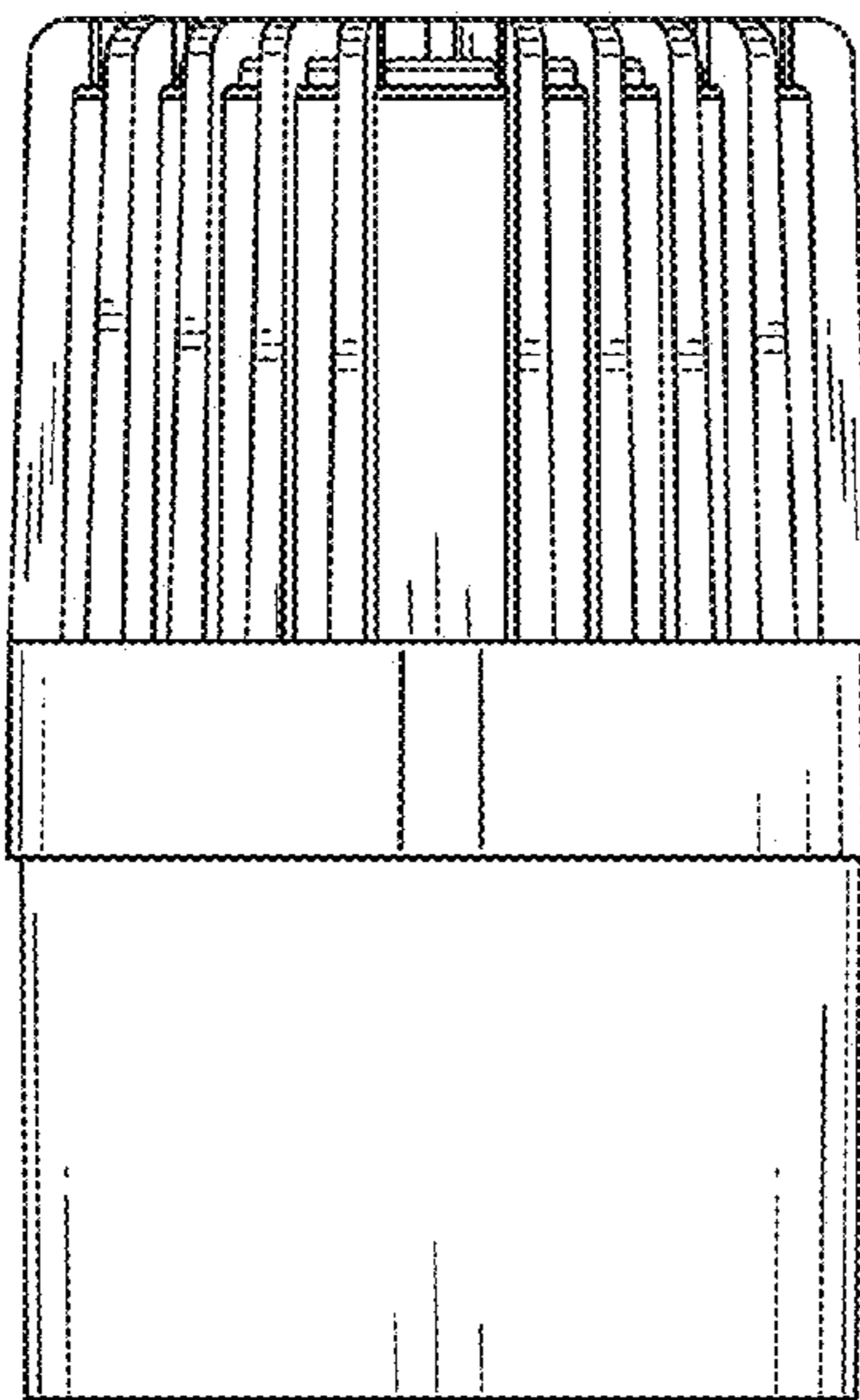


FIG. 13

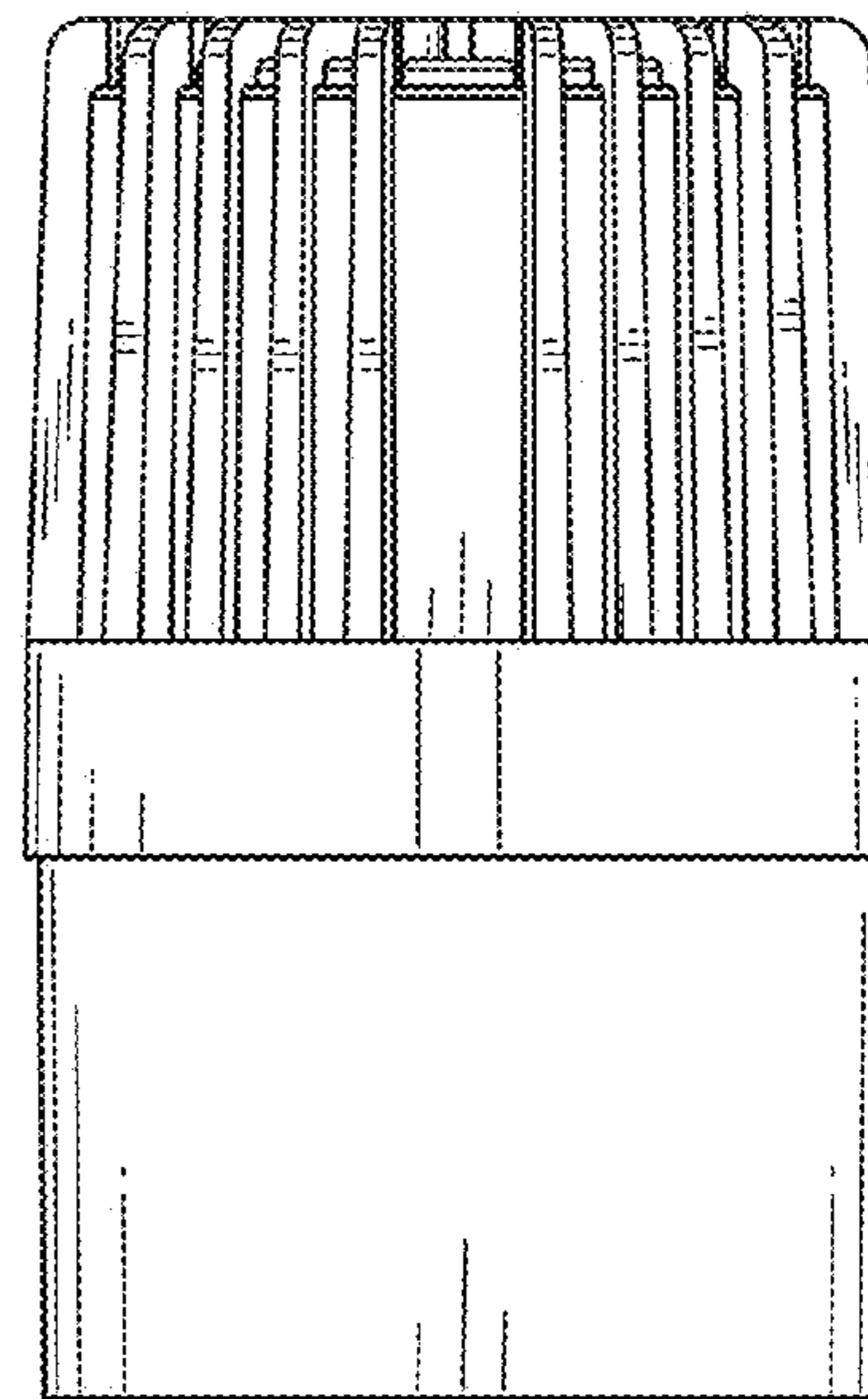


FIG. 14

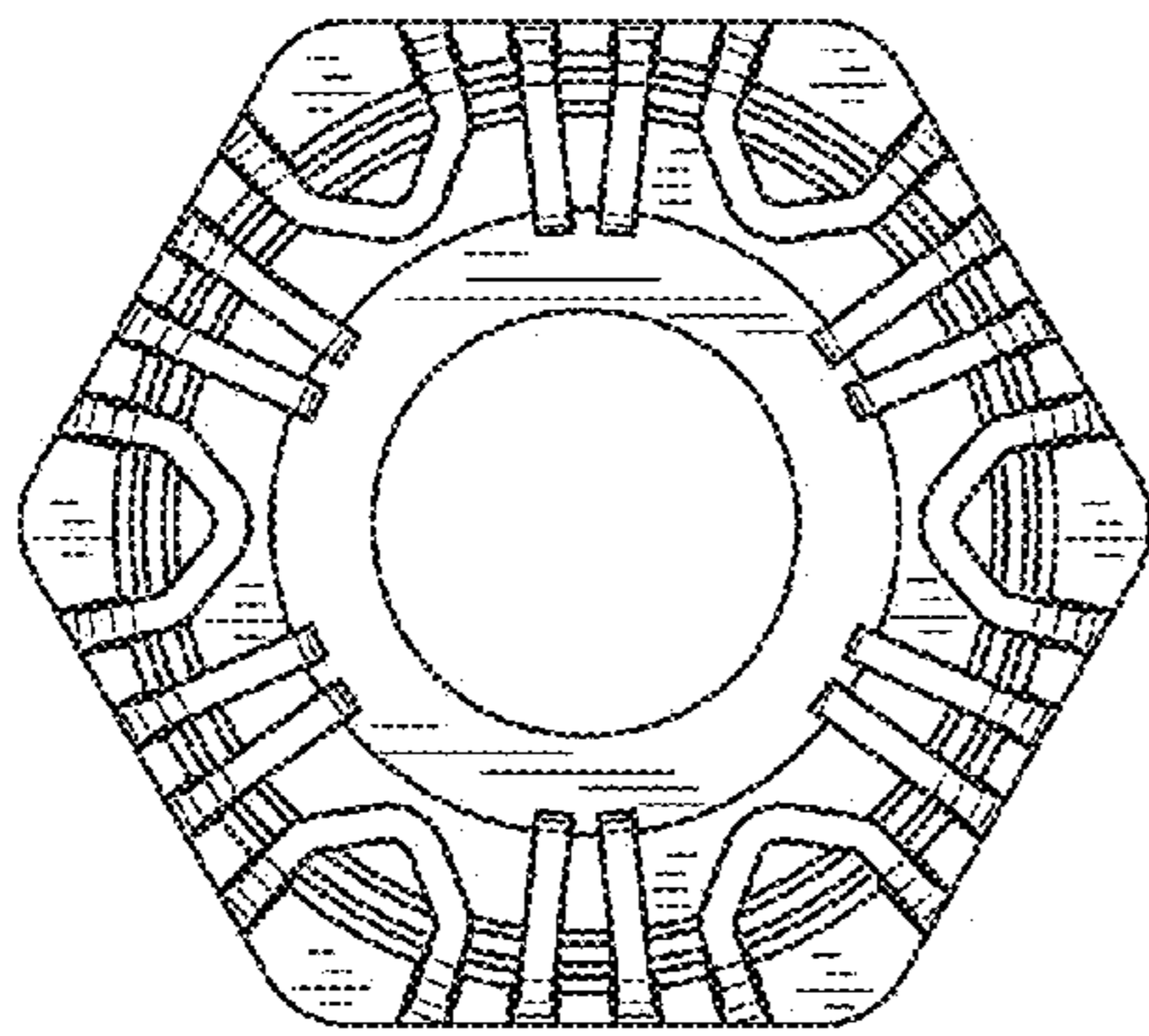


FIG. 15

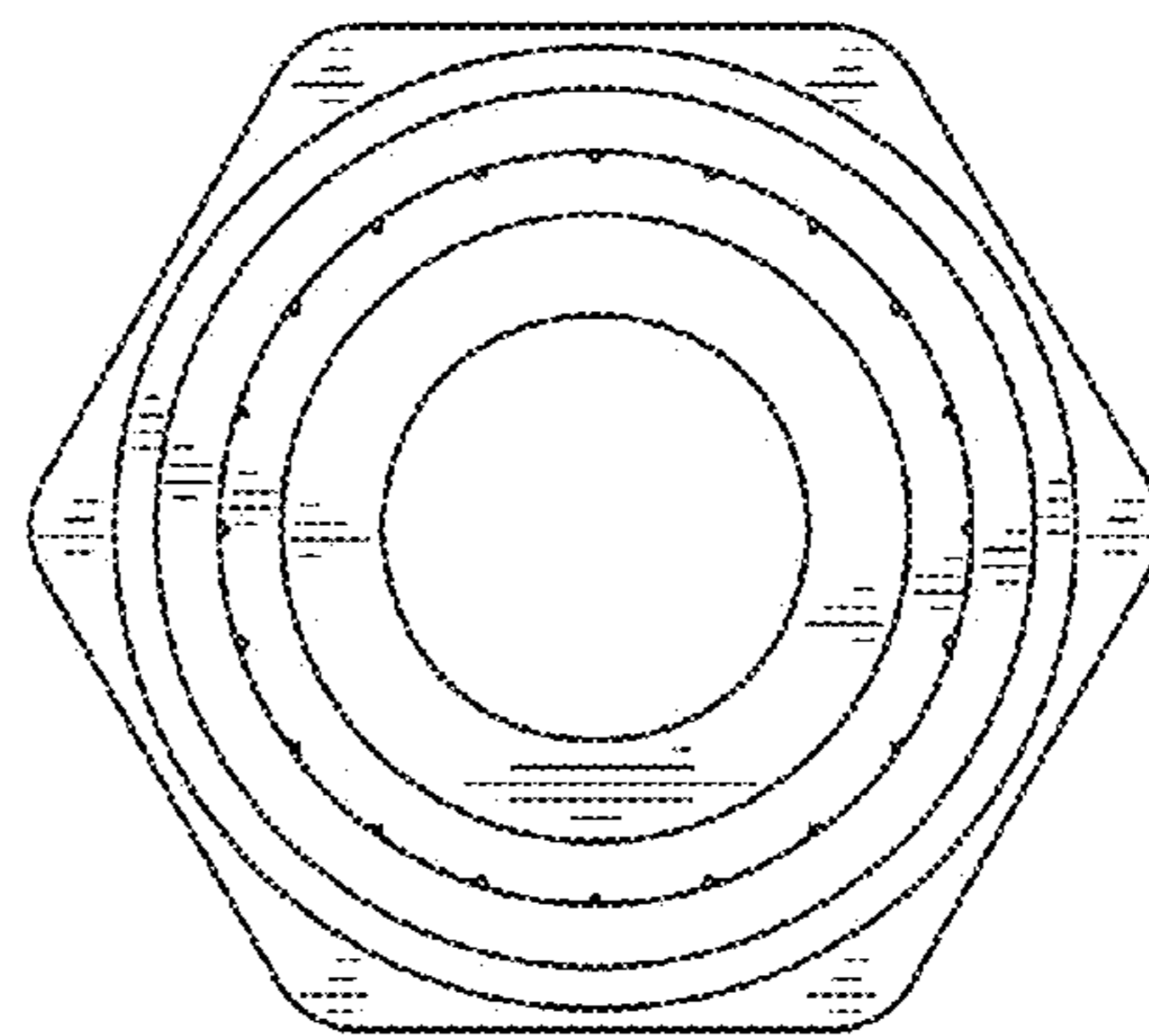


FIG. 16

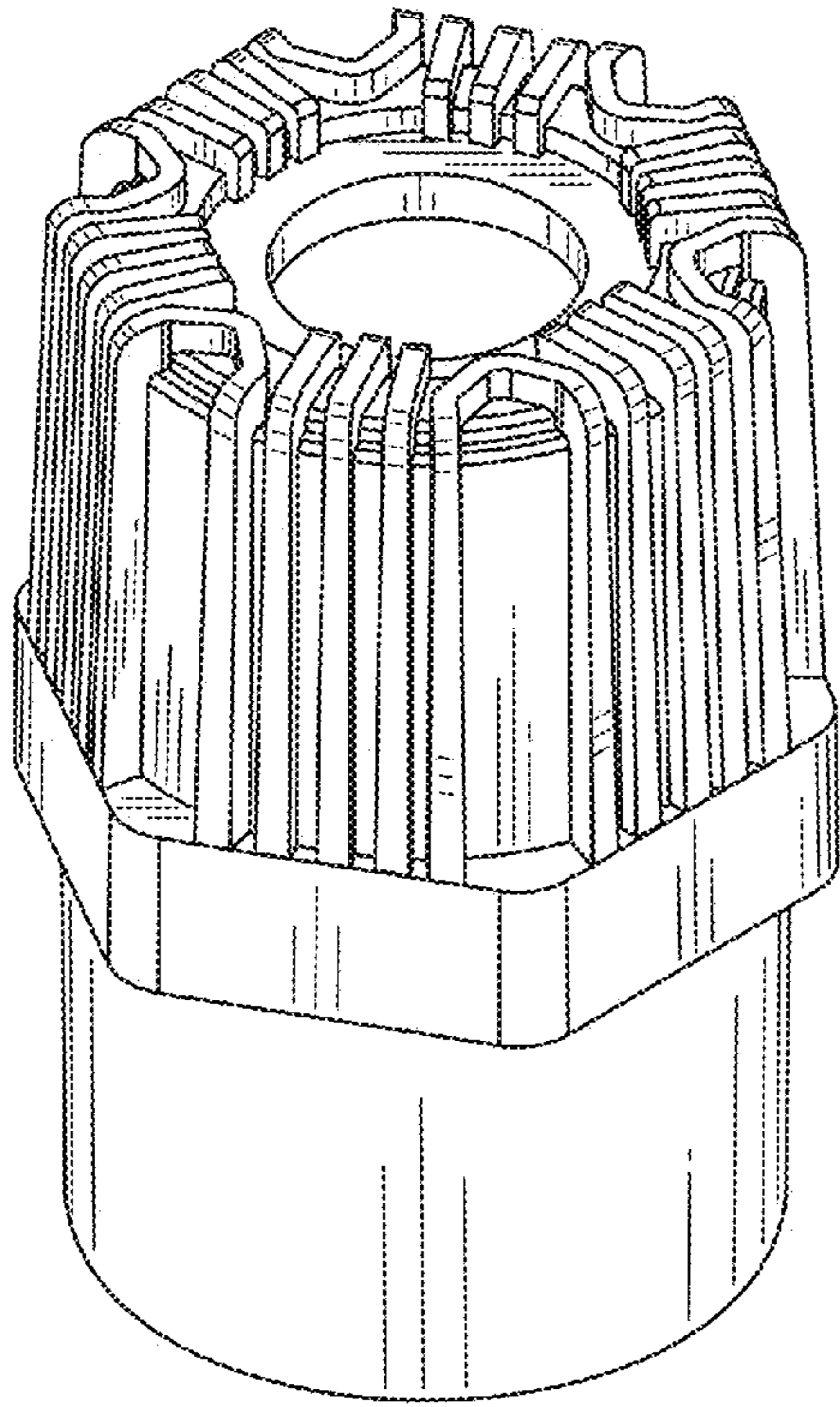


FIG. 17

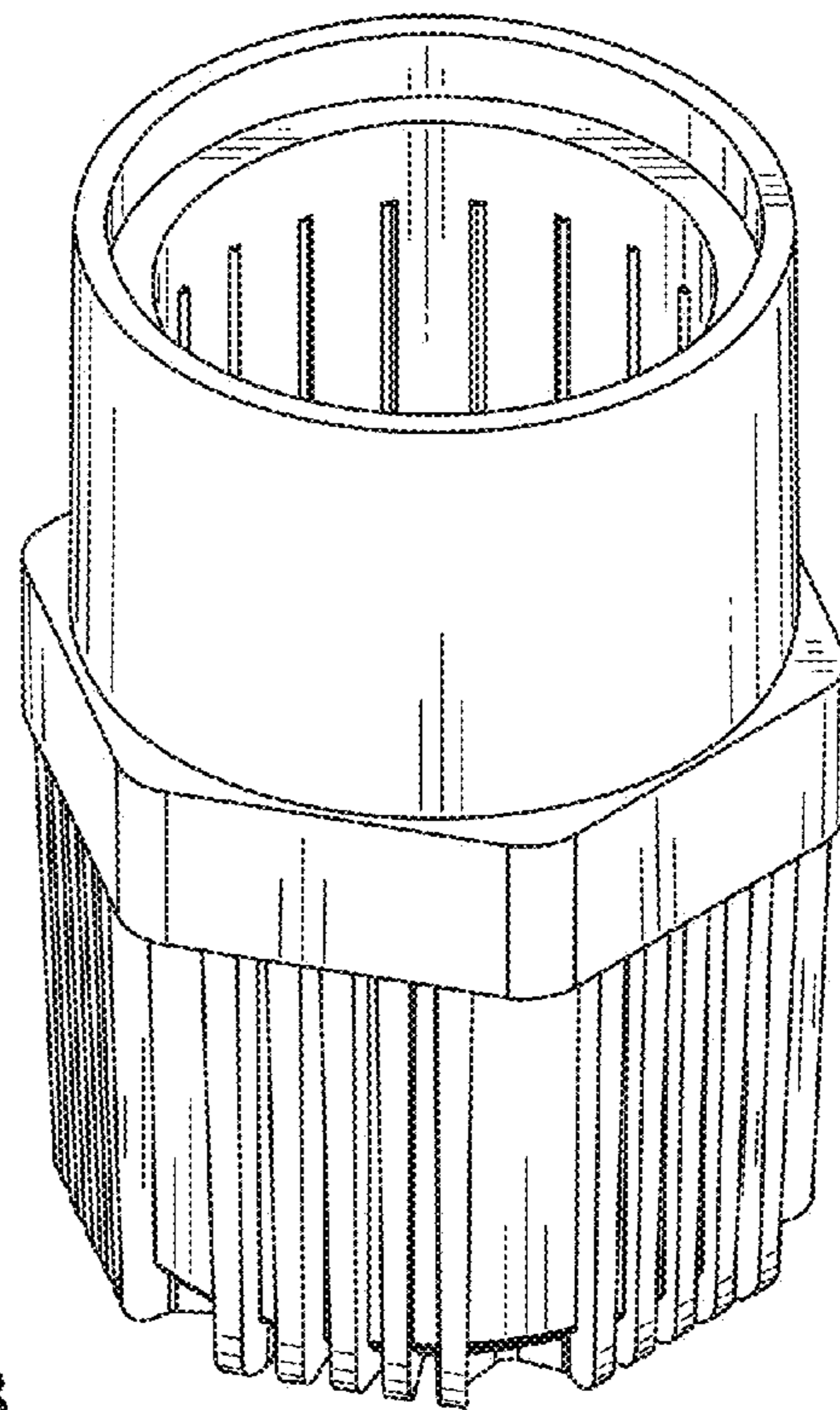


FIG. 18

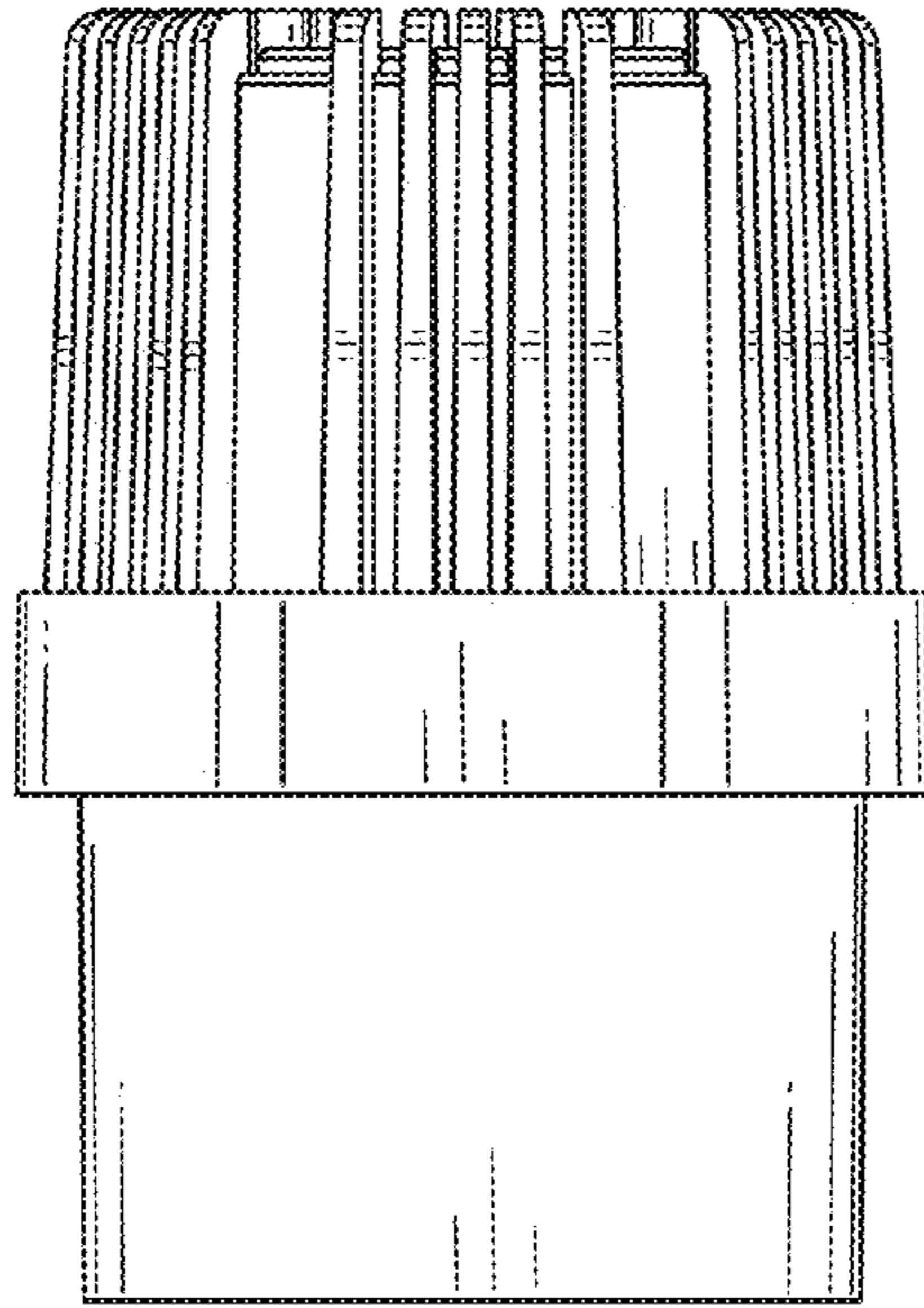


FIG. 19

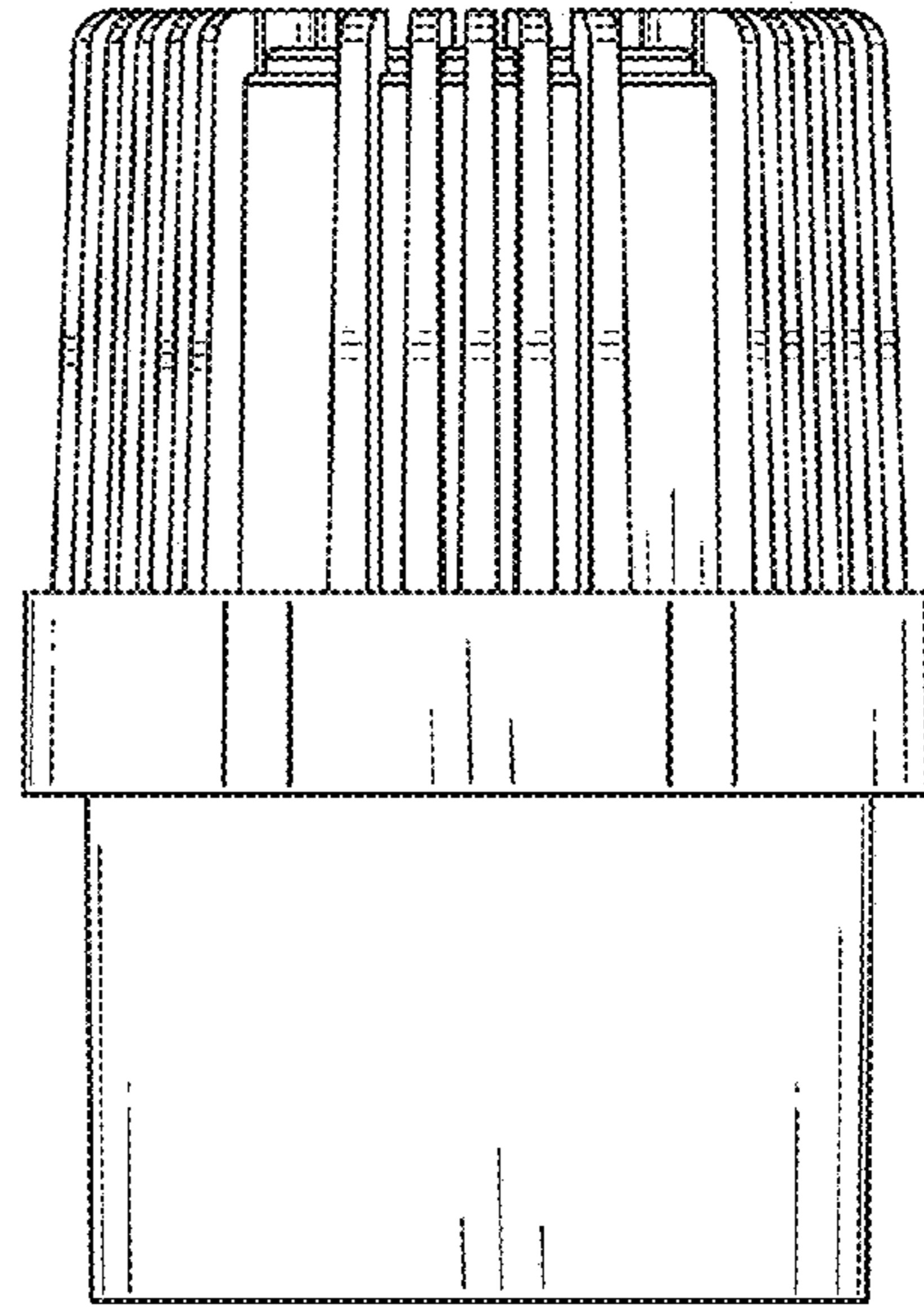


FIG. 20

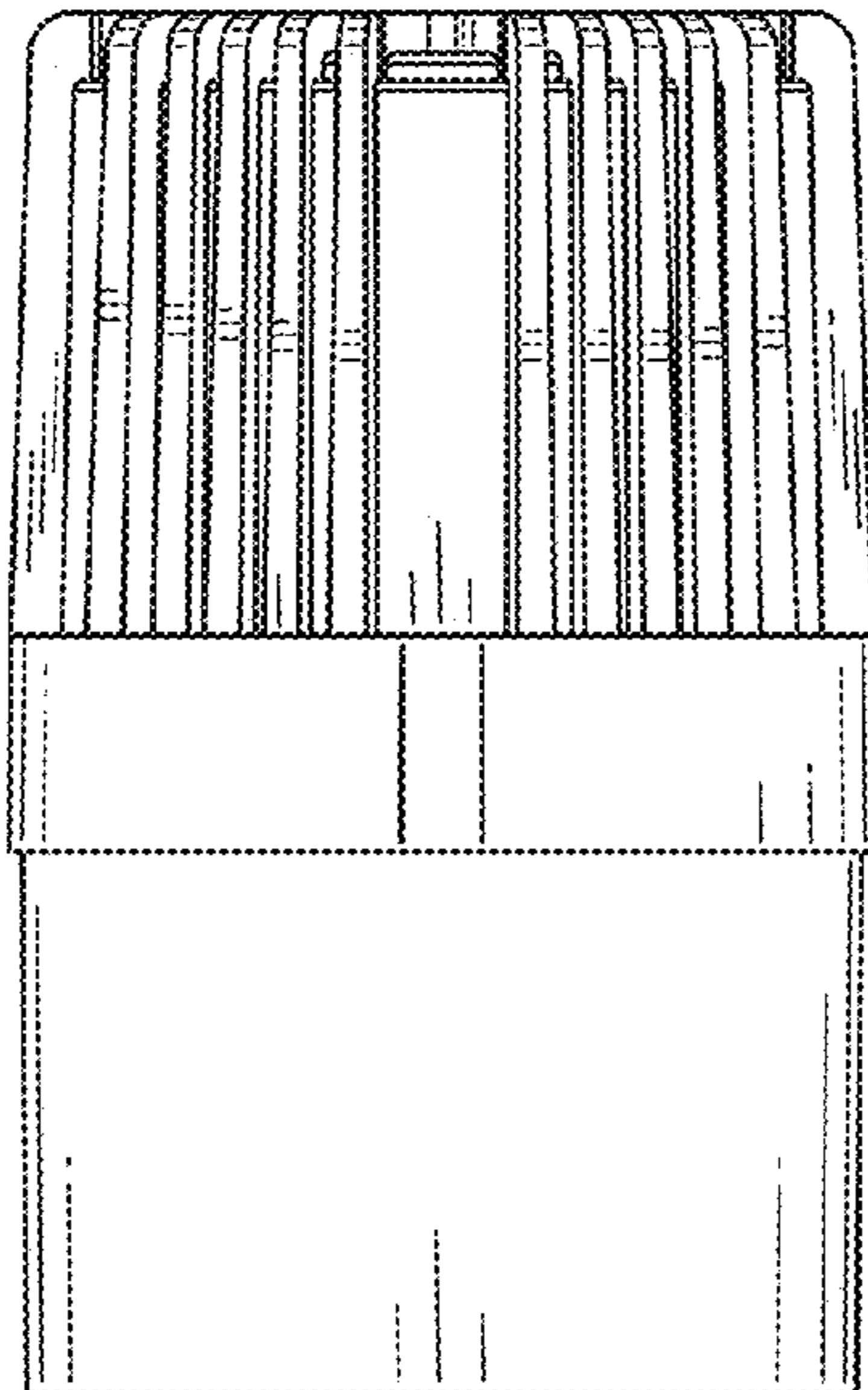


FIG. 21

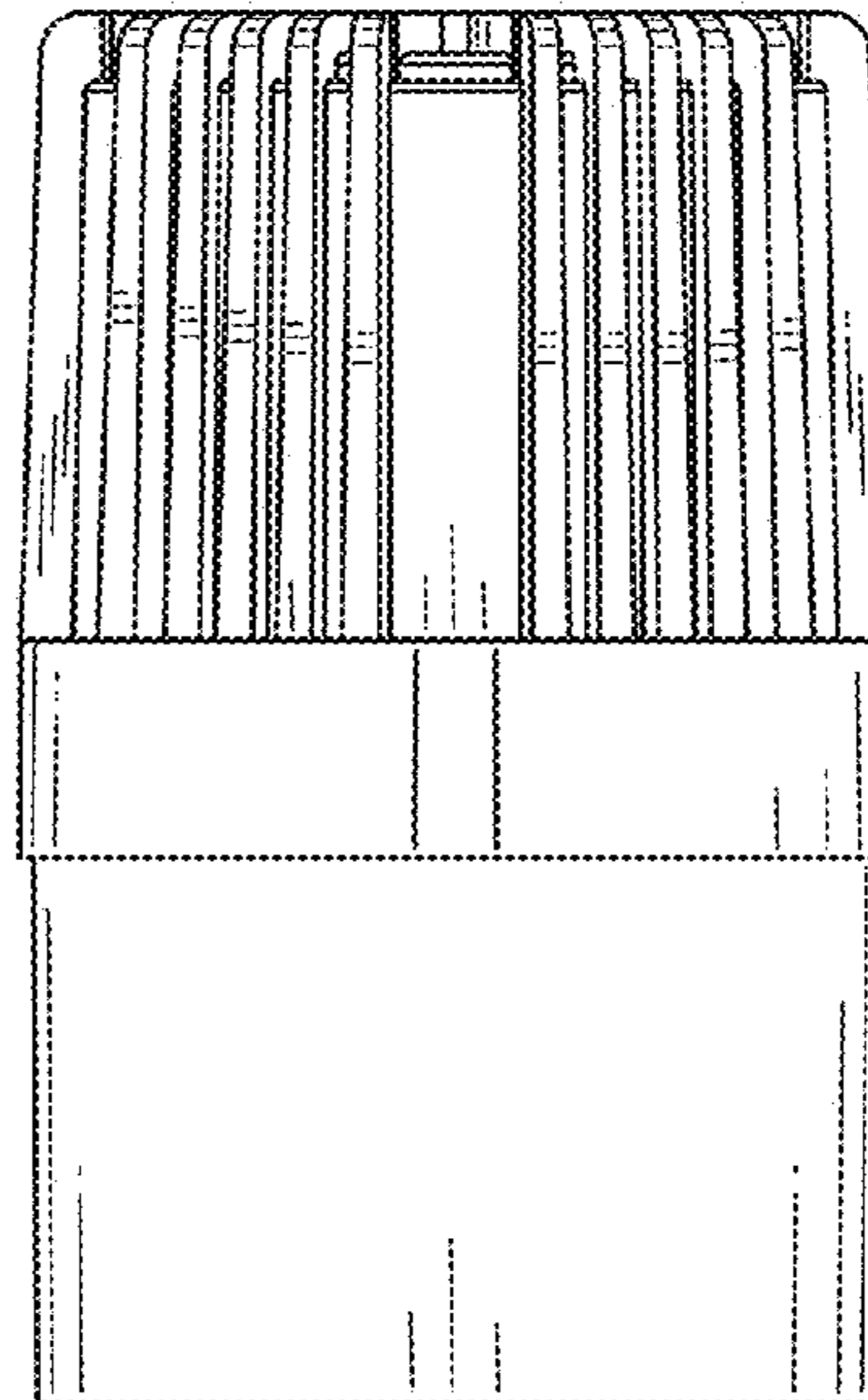


FIG. 22

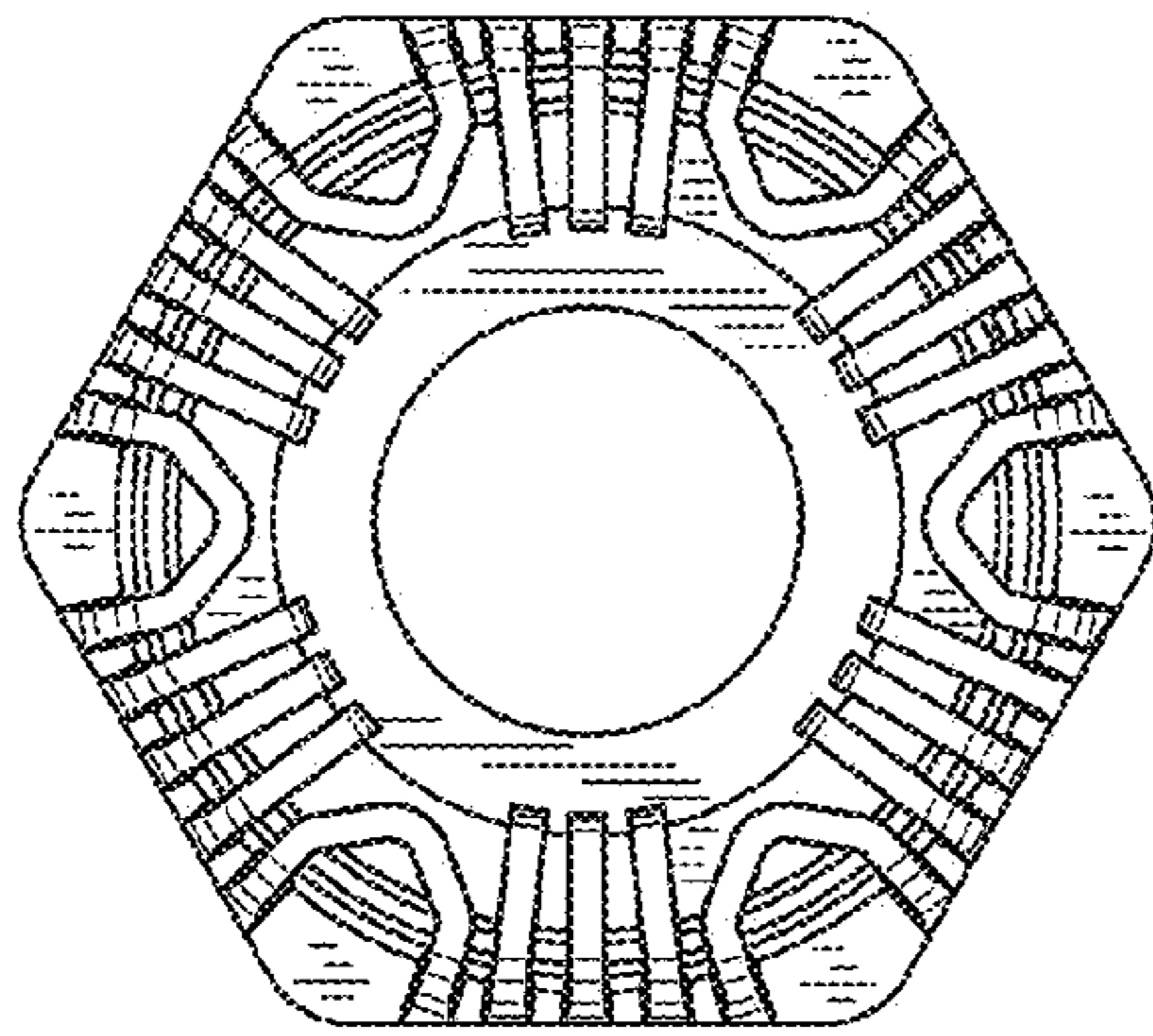


FIG. 23

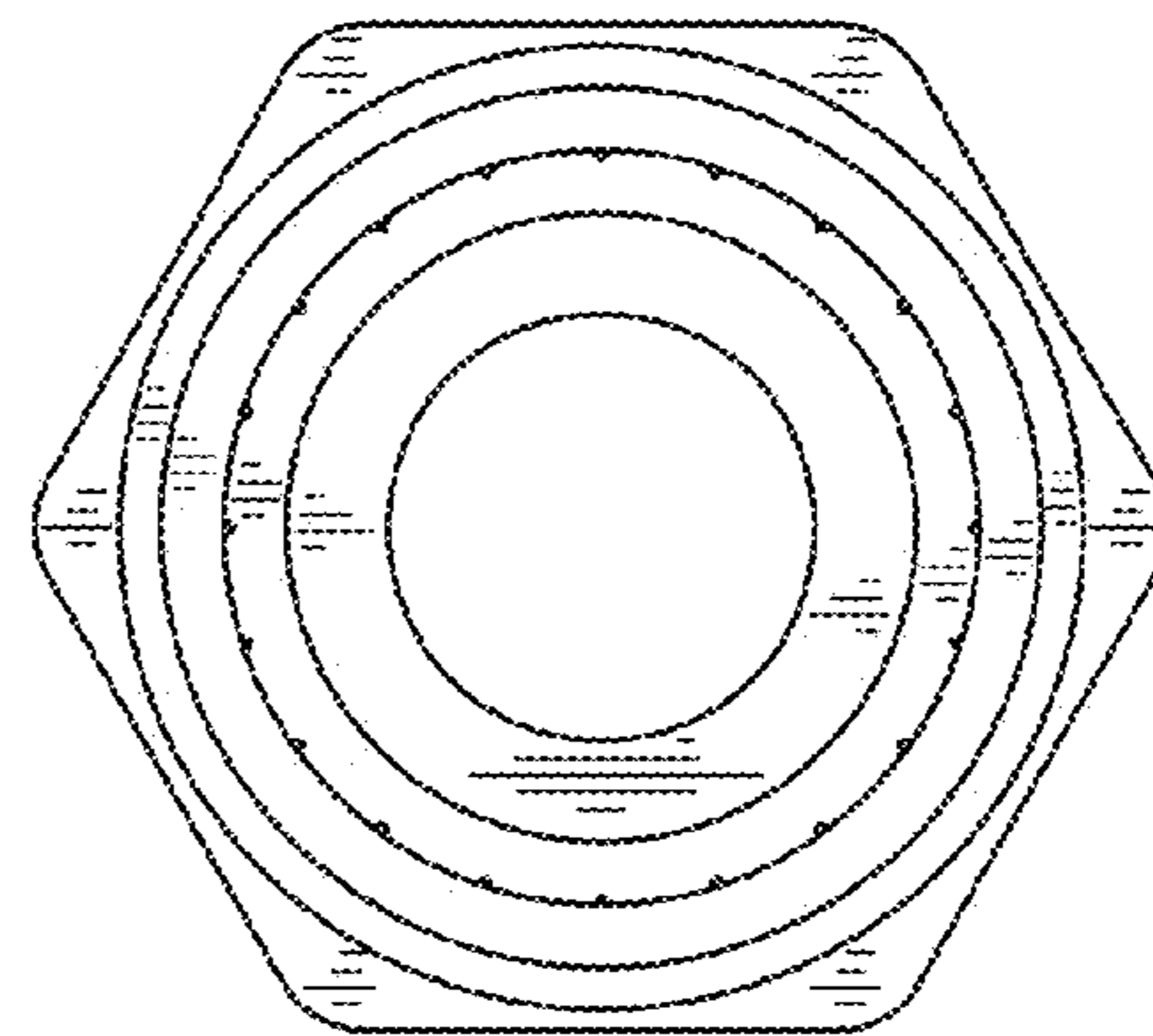


FIG. 24