



US00D712715S

(12) **United States Design Patent**  
**Roth**

(10) **Patent No.:** **US D712,715 S**

(45) **Date of Patent:** **\*\* Sep. 9, 2014**

(54) **CLAMP**

(76) Inventor: **Benjamin J. Roth**, Elgin, ND (US)

(\*\*) Term: **14 Years**

(21) Appl. No.: **29/419,890**

(22) Filed: **May 2, 2012**

(51) **LOC (10) Cl.** ..... **08-05**

(52) **U.S. Cl.**  
USPC ..... **D8/72**

(58) **Field of Classification Search**  
USPC ..... D8/71-74, 394-399, 59; 248/62, 63,  
248/72, 74.1, 689, 124.2; 81/487; 269/3, 4,  
269/6, 143, 165, 240, 243, 246-249, 254 R,  
269/147-149; 29/256, 257, 276; D15/140;  
408/103, 104-109

See application file for complete search history.

(56) **References Cited**

**U.S. PATENT DOCUMENTS**

3,600,980	A *	8/1971	Aijala	.....	269/2
5,330,216	A *	7/1994	Schnell	.....	269/148
D399,111	S *	10/1998	Budesa	.....	D8/71
D414,669	S *	10/1999	Howard	.....	D8/71
D458,826	S *	6/2002	Ray	.....	D8/72
D481,605	S *	11/2003	West	.....	D8/72
D509,122	S *	9/2005	Radermacher et al.	.....	D8/74

D512,893	S *	12/2005	Cowan	.....	D8/71
D557,093	S *	12/2007	Holt	.....	D8/59
D626,814	S *	11/2010	Grondin	.....	D8/72
D640,522	S *	6/2011	Livingston et al.	.....	D8/74
7,980,017	B2 *	7/2011	Harman, III	.....	D8/74
D655,593	S *	3/2012	Wagner et al.	.....	D8/71

\* cited by examiner

*Primary Examiner* — David Muller

(74) *Attorney, Agent, or Firm* — Gordon & Rees LLP

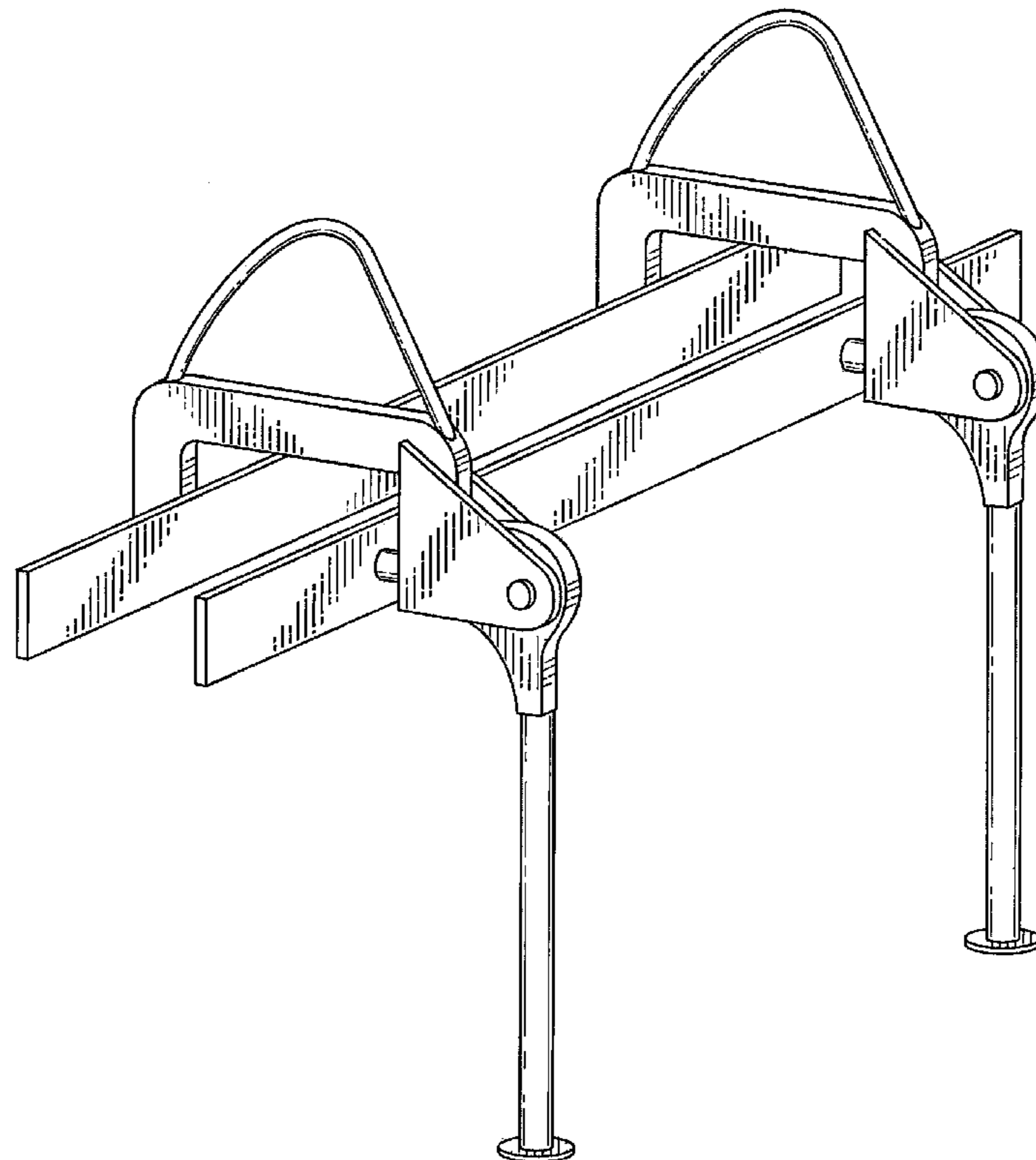
(57) **CLAIM**

The ornamental design for a clamp device, as shown and described.

**DESCRIPTION**

FIG. 1 is a perspective view of the clamp in a closed position. FIG. 2 is a perspective view of the clamp in an open position. FIG. 3 is a left side elevation view of the clamp in the locked position. FIG. 4 is a right side elevation view of the clamp in the locked position. FIG. 5 is a front elevation view of the clamp in the locked position. FIG. 6 is a back elevation view of the clamp in the locked position. FIG. 7 is a top plan view in the locked position; and, FIG. 8 is a top plan view in a partially open position.

**1 Claim, 8 Drawing Sheets**



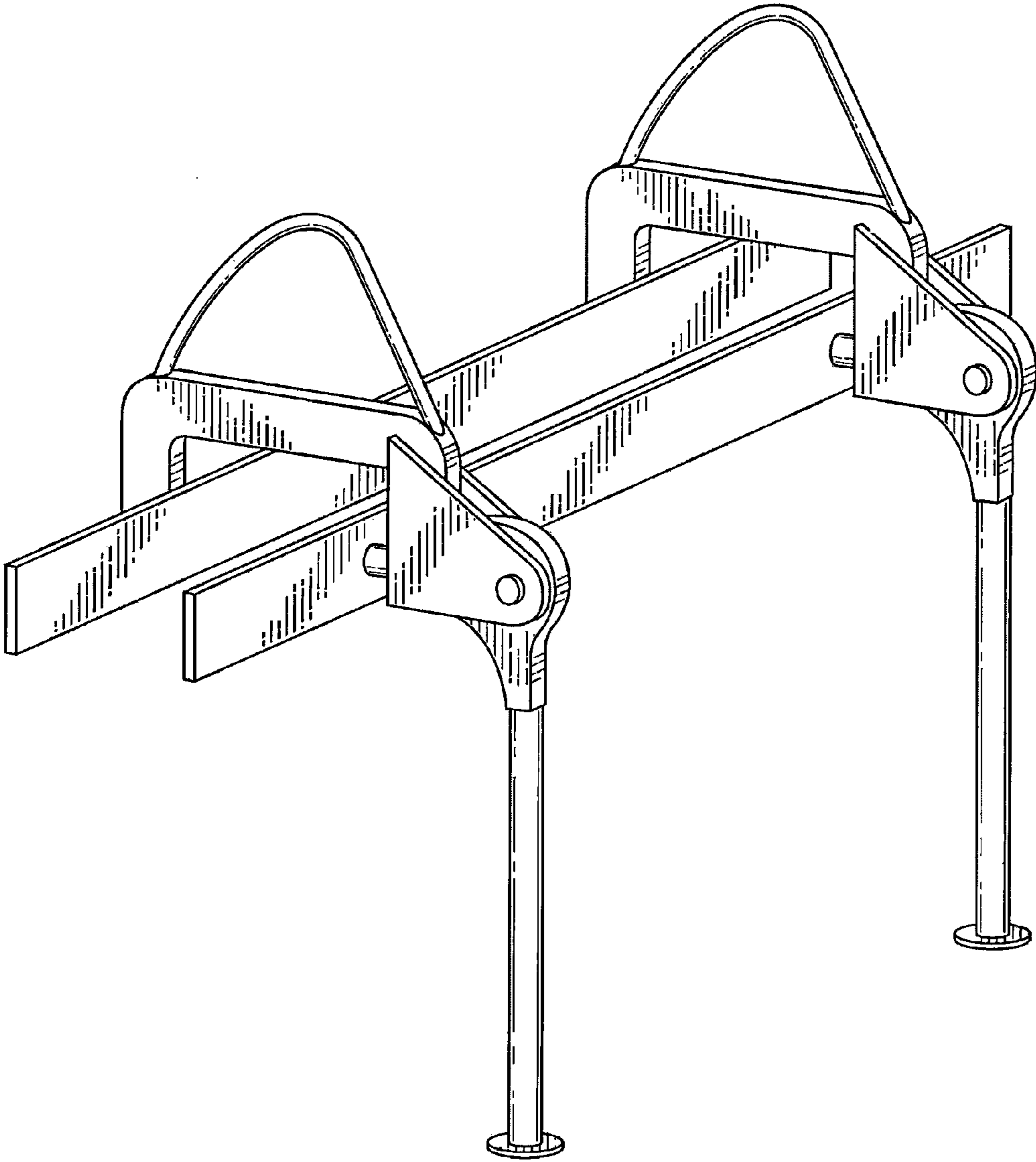


FIG. 1

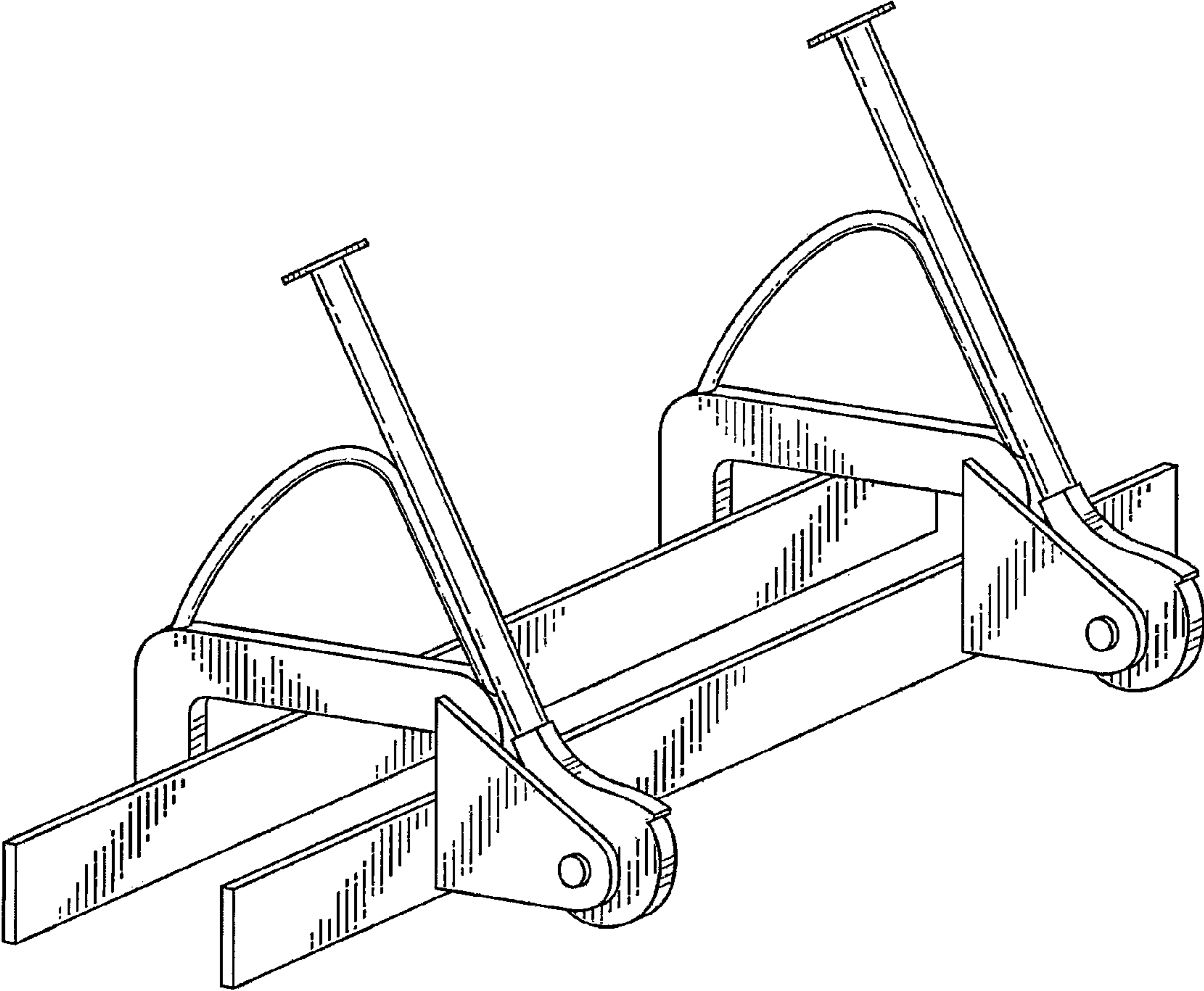


FIG. 2

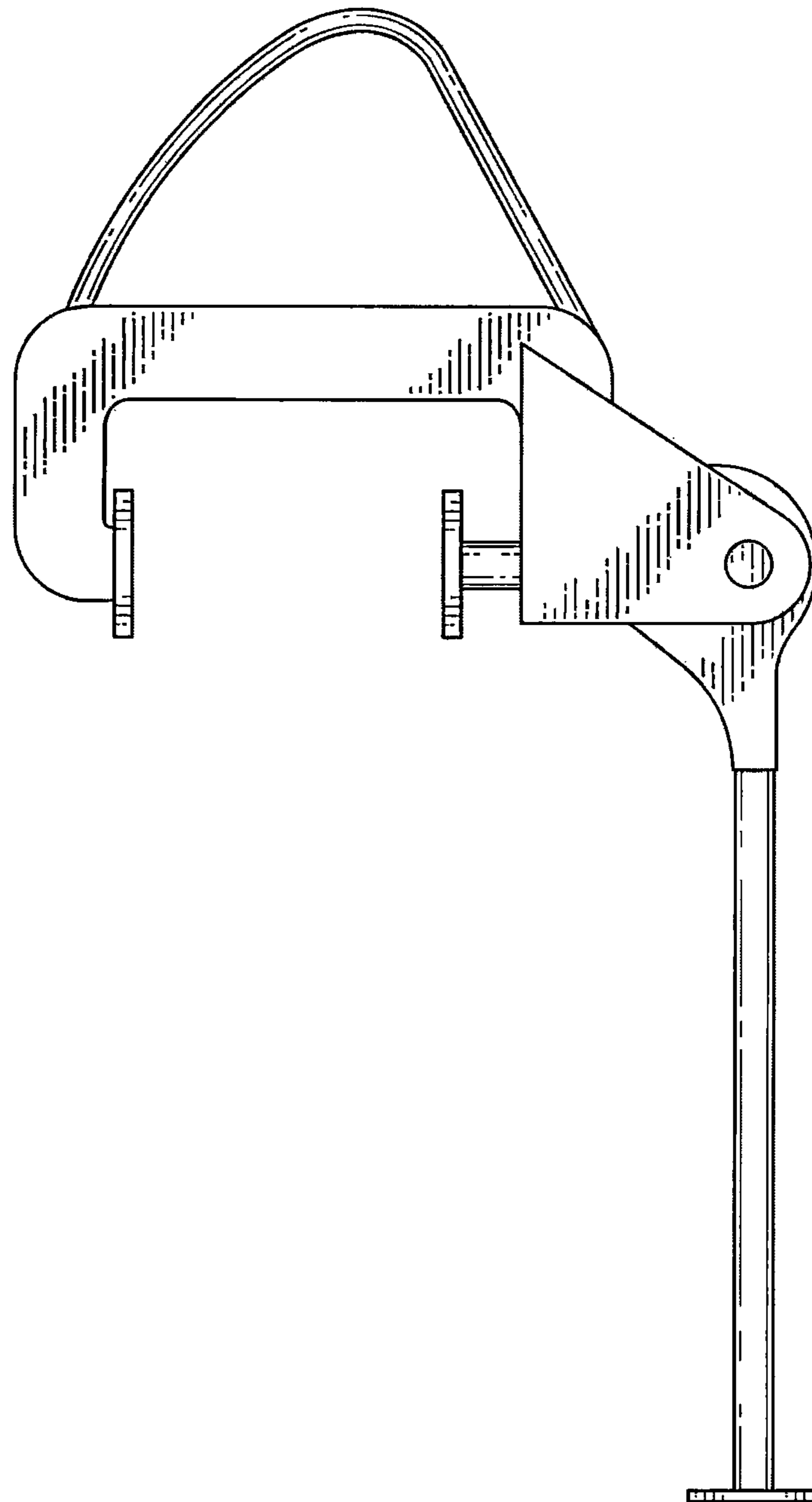


FIG. 3

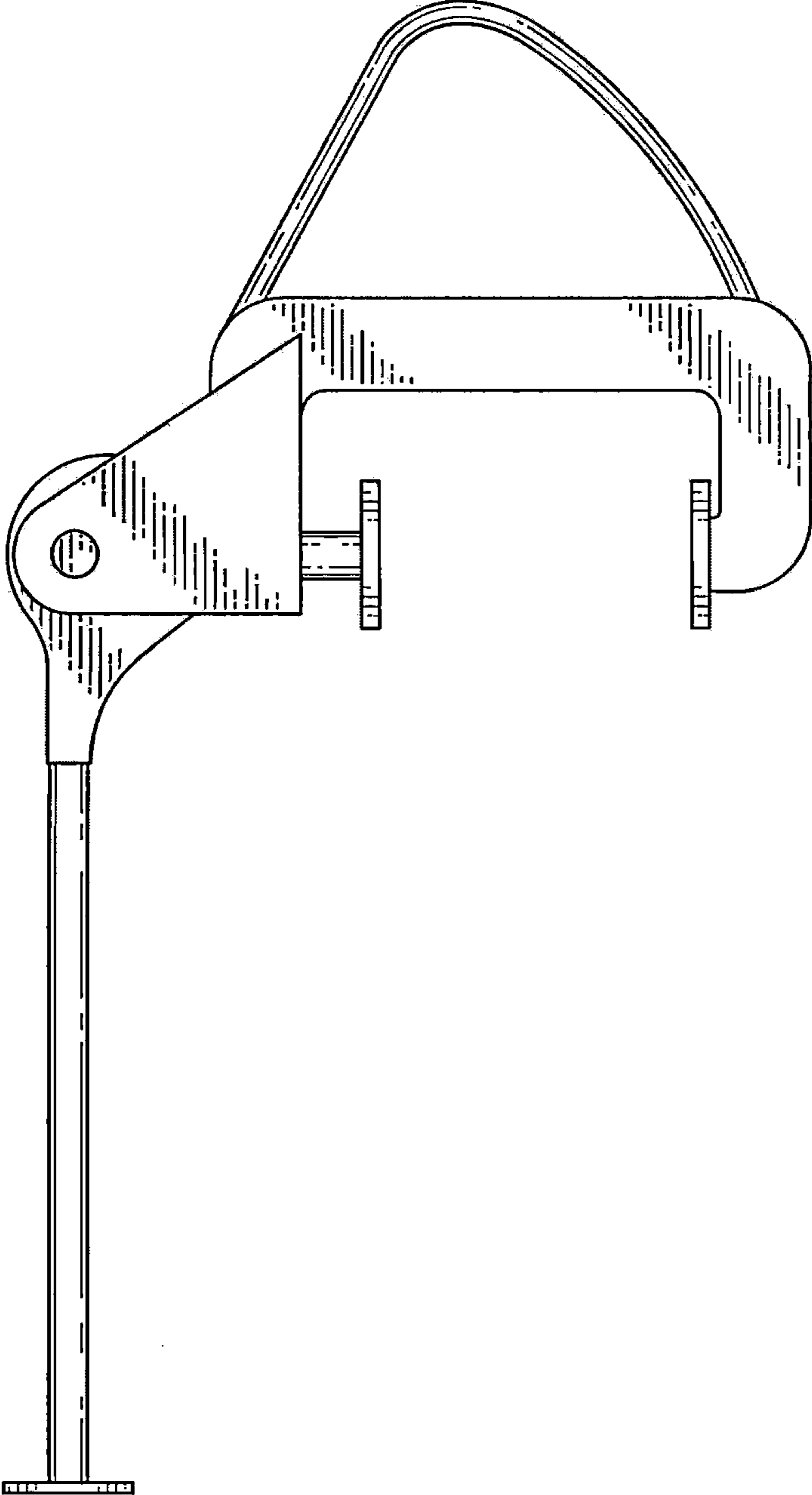


FIG. 4

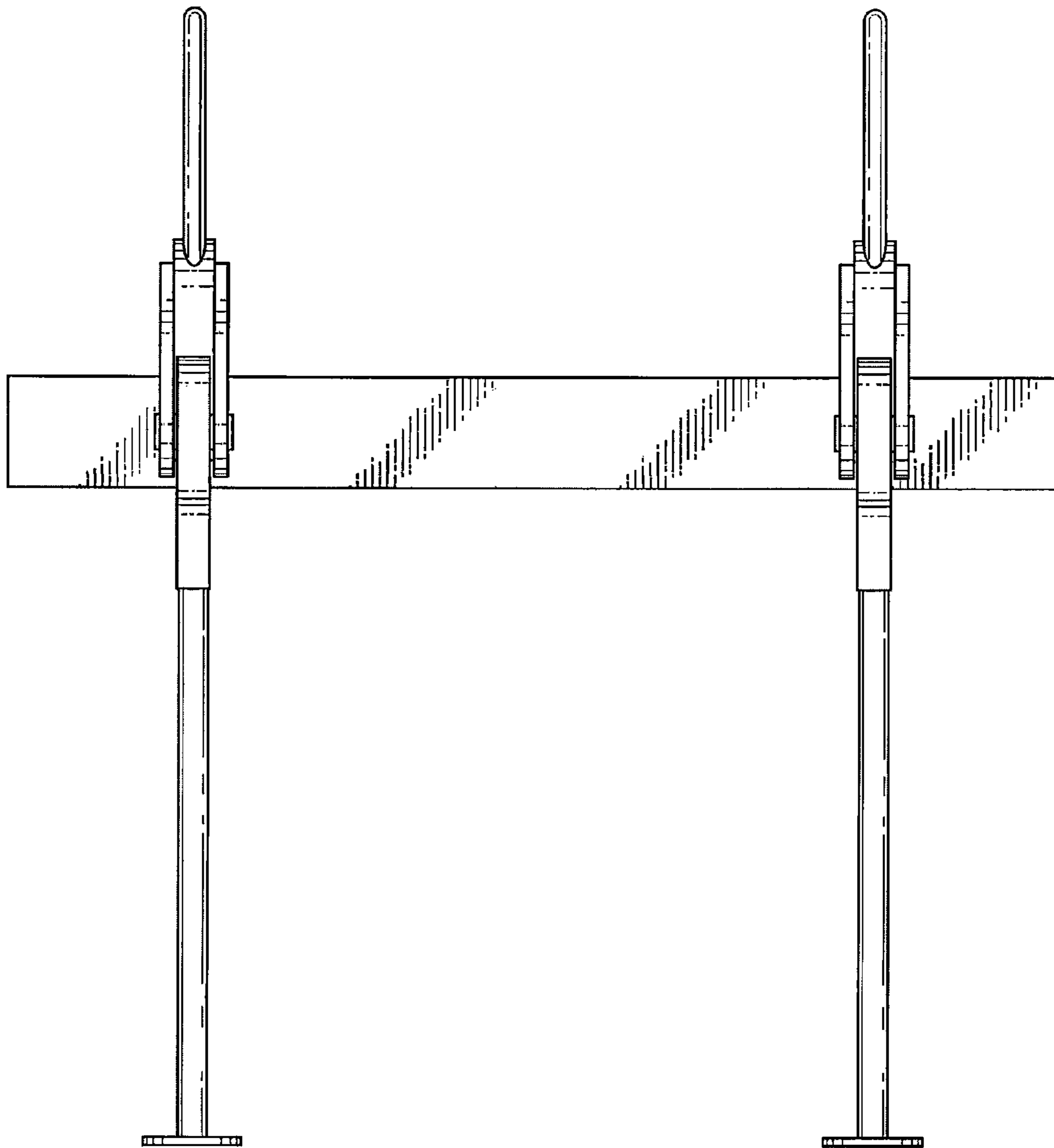


FIG. 5

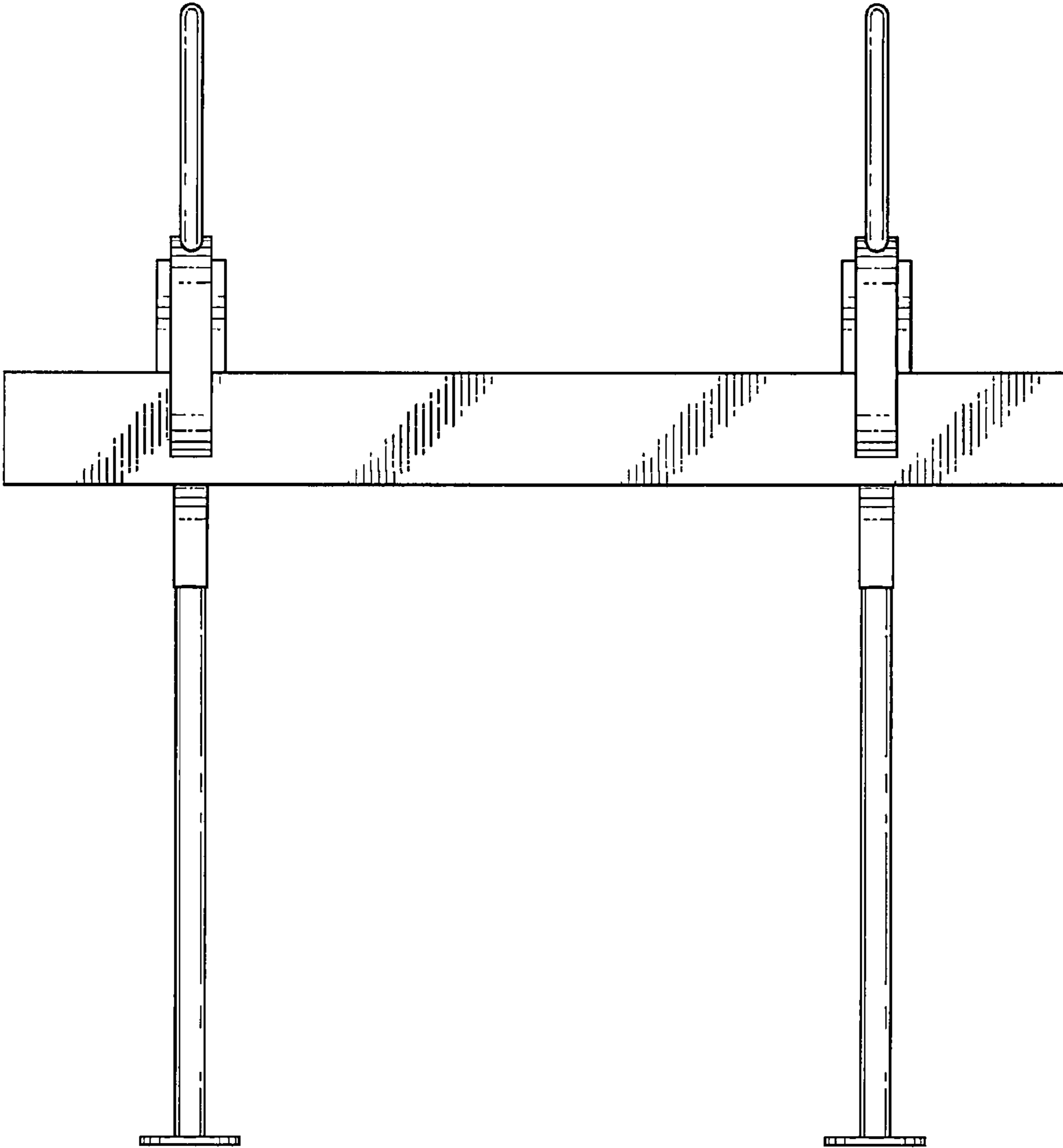


FIG. 6

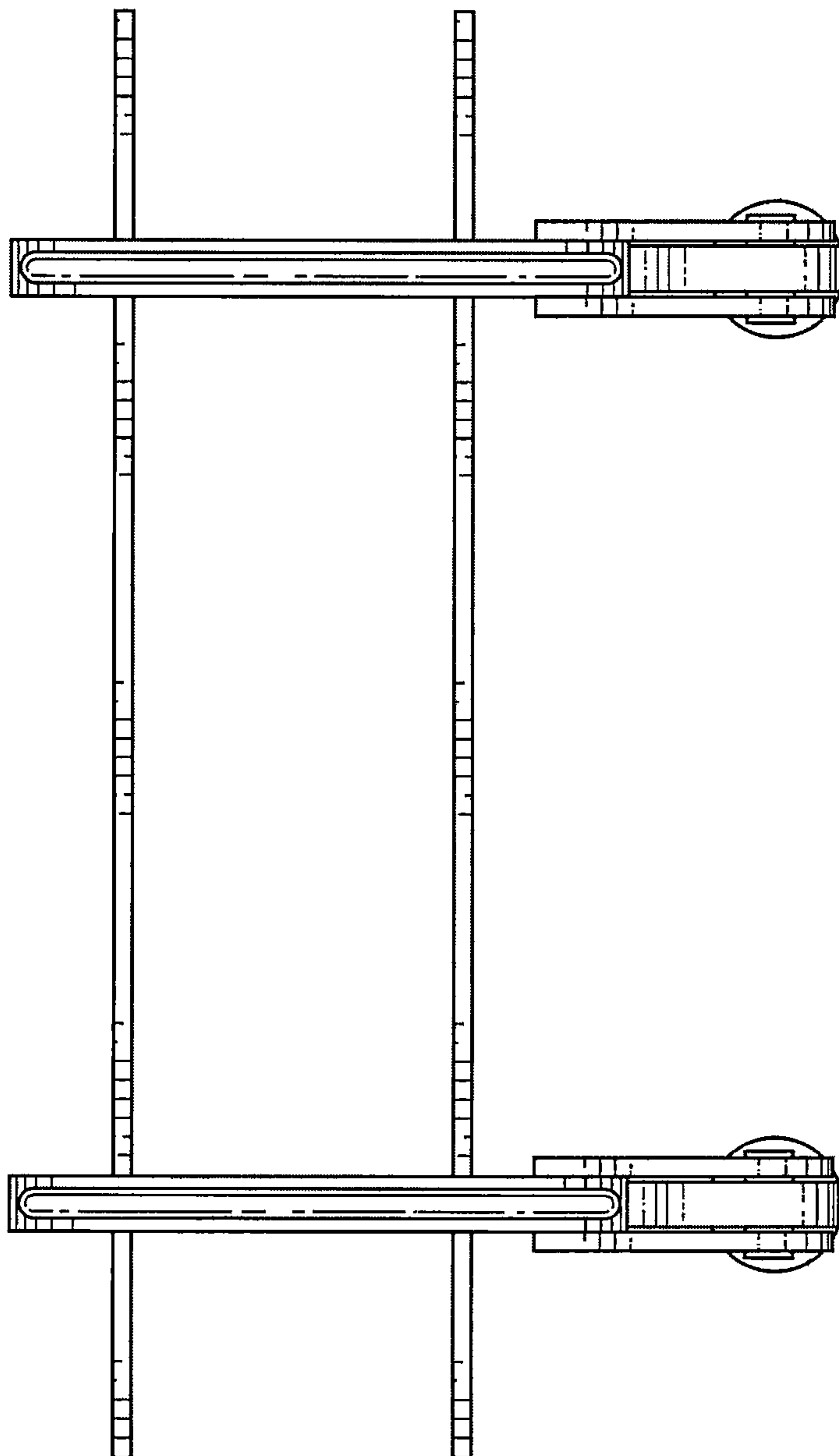


FIG. 7



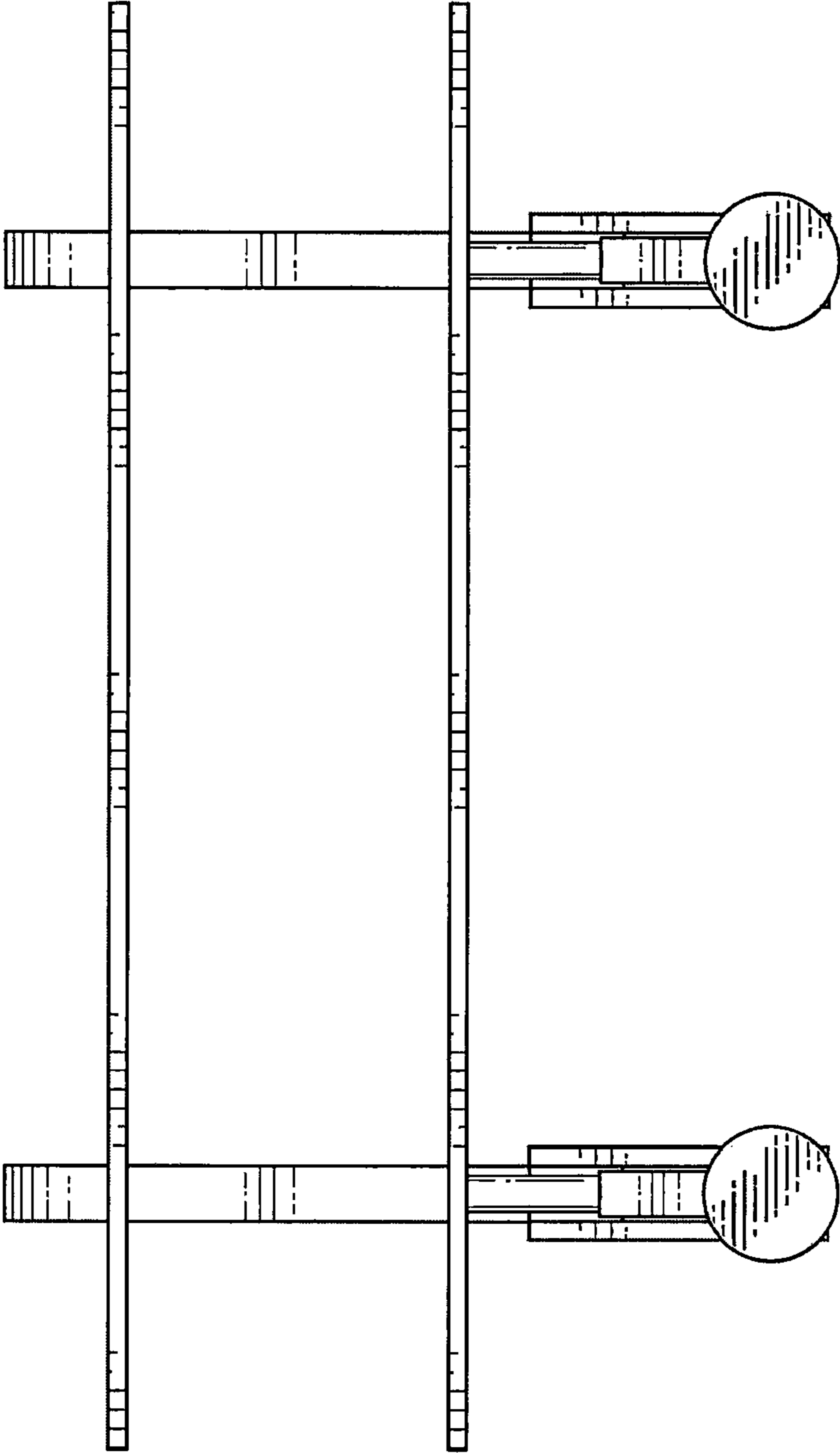


FIG. 8