



US00D712712S

(12) **United States Design Patent**  
**Liu**

(10) **Patent No.:** **US D712,712 S**

(45) **Date of Patent:** **\*\* Sep. 9, 2014**

(54) **PART OF A TOOL ADAPTOR**

(71) Applicant: **Chao-Chih Liu**, Taichung (TW)

(72) Inventor: **Chao-Chih Liu**, Taichung (TW)

(\*\*) Term: **14 Years**

(21) Appl. No.: **29/444,615**

(22) Filed: **Feb. 1, 2013**

(51) **LOC (10) Cl.** ..... **08-05**

(52) **U.S. Cl.**  
USPC ..... **D8/14**

(58) **Field of Classification Search**  
USPC ..... D8/14, 25, 29, 33, 34, 40, 307, 349,  
D8/354, 397; 81/3.4, 60, 63.1, 63.2;  
285/39; 411/7, 60, 138, 260  
See application file for complete search history.

(56) **References Cited**

**U.S. PATENT DOCUMENTS**

D369,075	S *	4/1996	Vasichek et al.	.....	D8/14
5,606,753	A *	3/1997	Hashimoto	.....	411/7
D500,436	S *	1/2005	Chen	.....	D8/29
D512,886	S *	12/2005	Christensen	.....	D8/14
8,342,061	B2 *	1/2013	Super	.....	81/177.85
D679,988	S *	4/2013	Yamazaki	.....	D8/397
D685,237	S *	7/2013	Super	.....	D8/29
D701,099	S *	3/2014	Wei	.....	D8/25
D704,543	S *	5/2014	Kuhmichel et al.	.....	D8/397
2003/0097911	A1 *	5/2003	Hu	.....	81/60

2008/0229889	A1 *	9/2008	Hopper et al.	.....	81/63.1
2012/0118113	A1 *	5/2012	Wu	.....	81/63.1
2013/0283982	A1 *	10/2013	Hopper et al.	.....	81/63.1

\* cited by examiner

*Primary Examiner* — Eric Goodman  
*Assistant Examiner* — Jennifer Watkins

(57) **CLAIM**

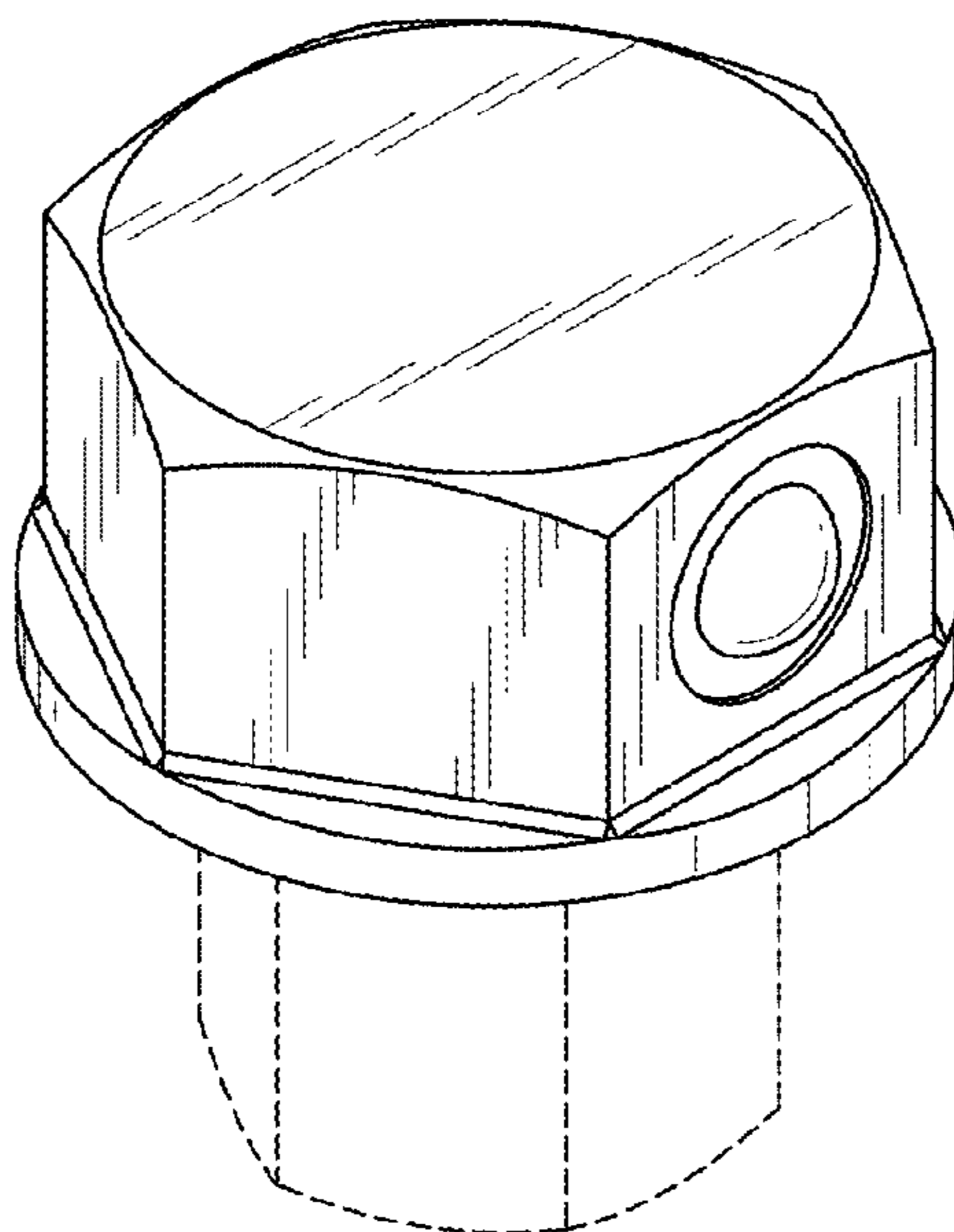
The ornamental design for a part of a tool adaptor, as shown and described.

**DESCRIPTION**

FIG. 1 is one perspective view of the first embodiment of a part of a tool adaptor showing my new design;  
 FIG. 2 is a front elevational view thereof;  
 FIG. 3 is a rear elevational view thereof;  
 FIG. 4 is a left side view thereof;  
 FIG. 5 is a right side view thereof;  
 FIG. 6 is a top plan view thereof;  
 FIG. 7 is a bottom plan view thereof;  
 FIG. 8 is another perspective view of the second embodiment of the part of a tool adaptor; and,  
 FIG. 9 is another left side view thereof.

Wherein the broken line portions of FIGS. 1-5 and 7 show the first embodiment of a connecting member of the tool adaptor; and the broken line portions of FIGS. 8-9 show the second embodiment of the connecting member of the tool adaptor. The broken lines in the drawings are for the purpose of illustrating portions of a part of a tool adaptor which form no part of the claimed design.

**1 Claim, 5 Drawing Sheets**



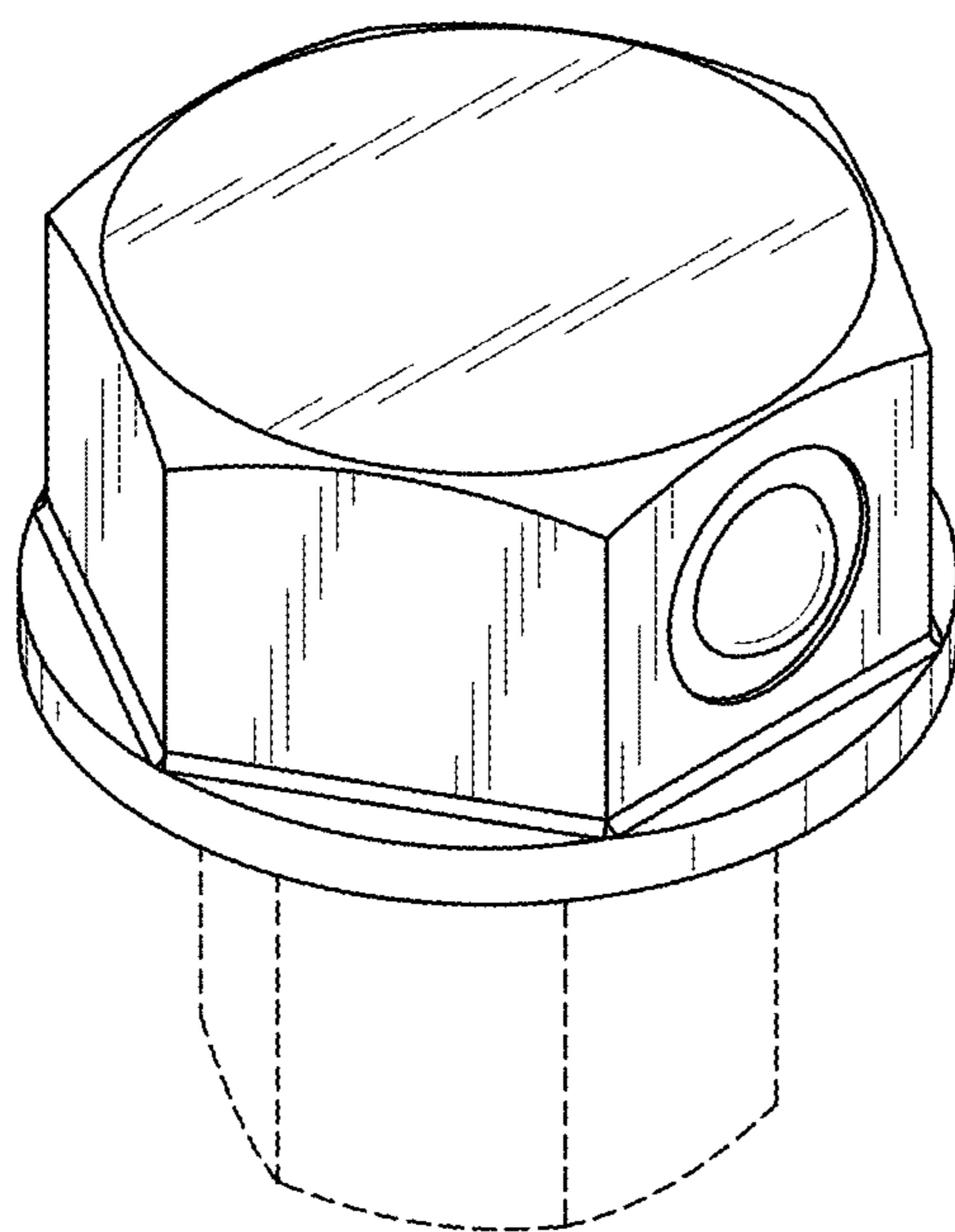


FIG. 1

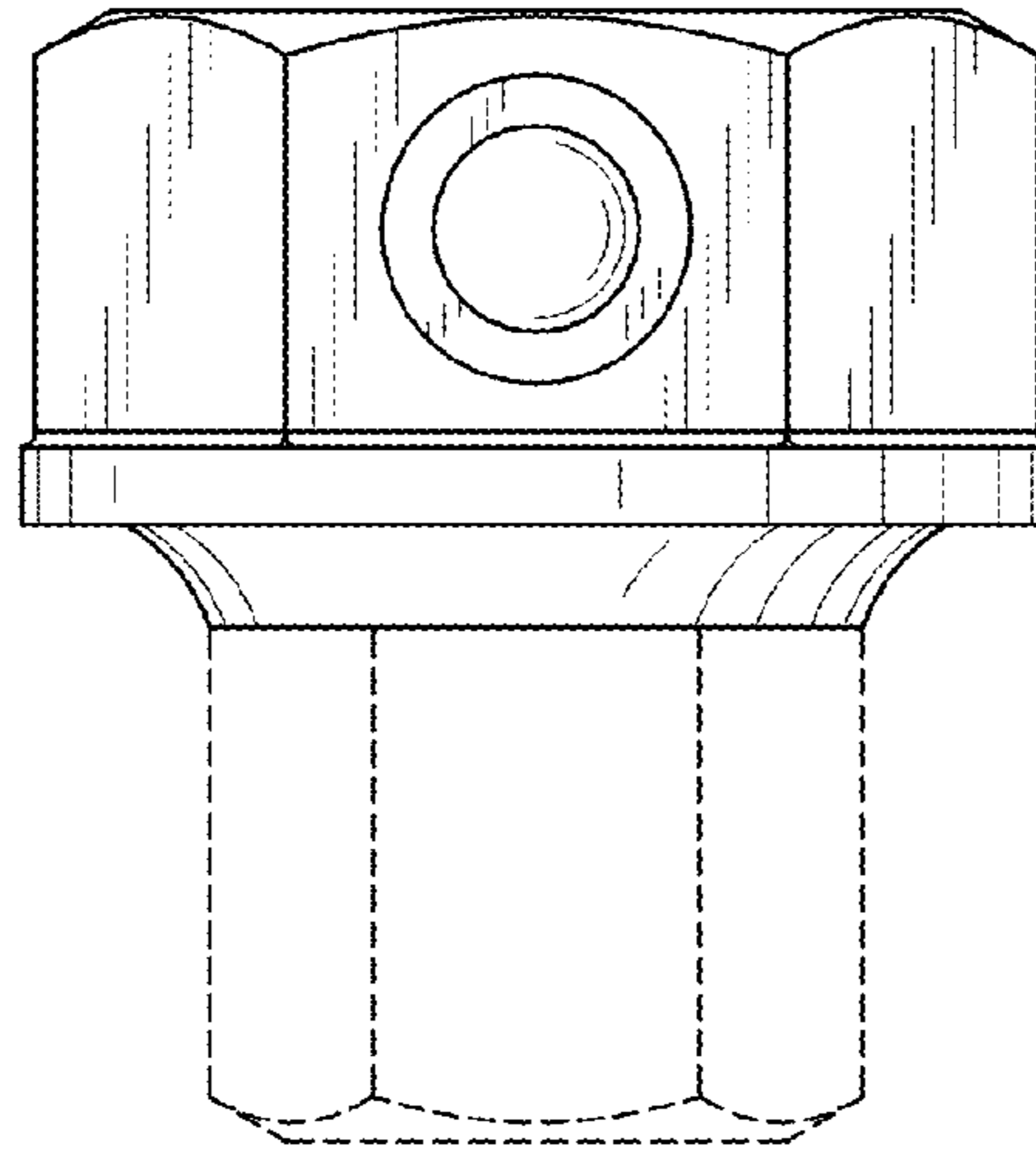


FIG. 2

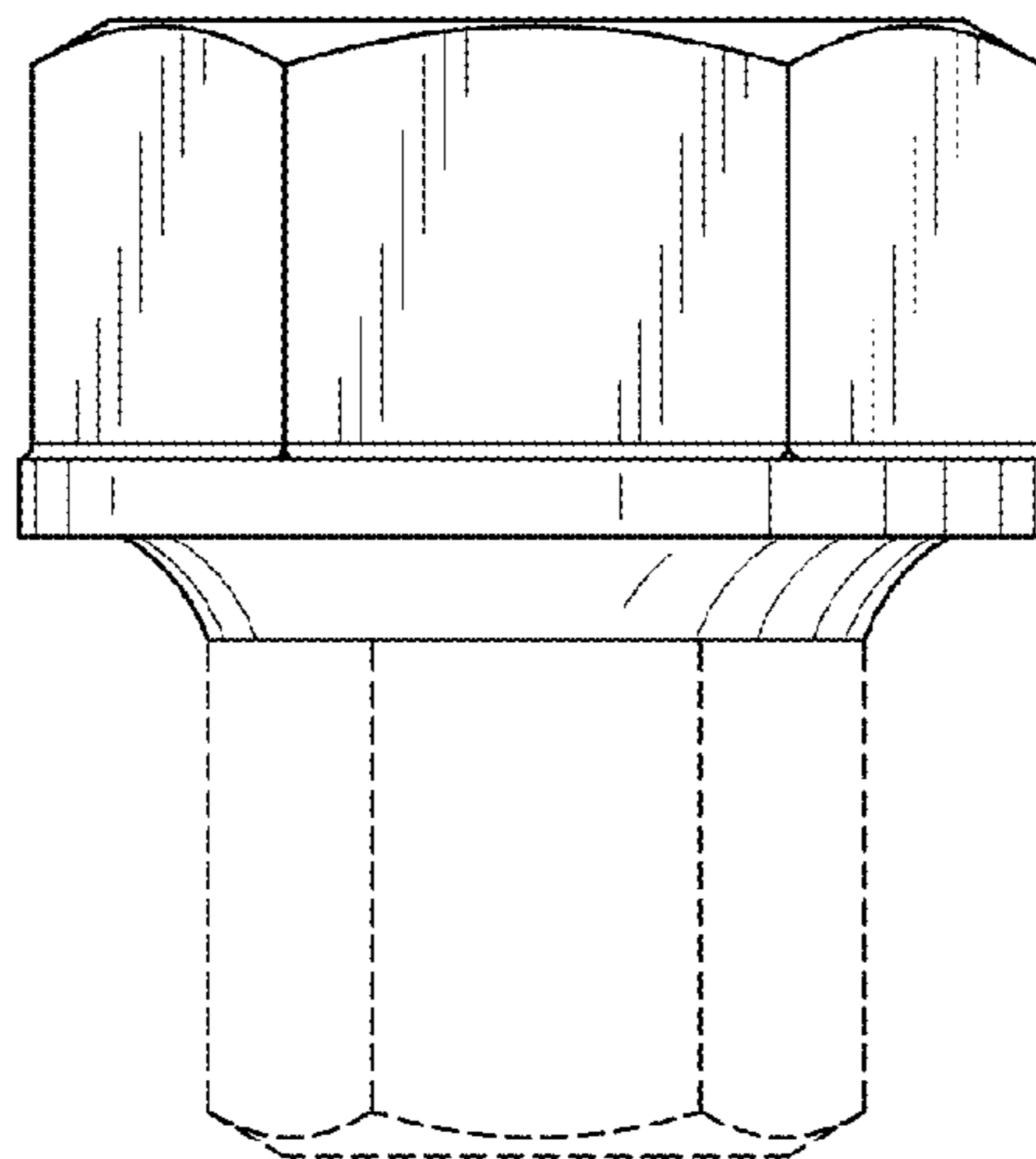


FIG. 3

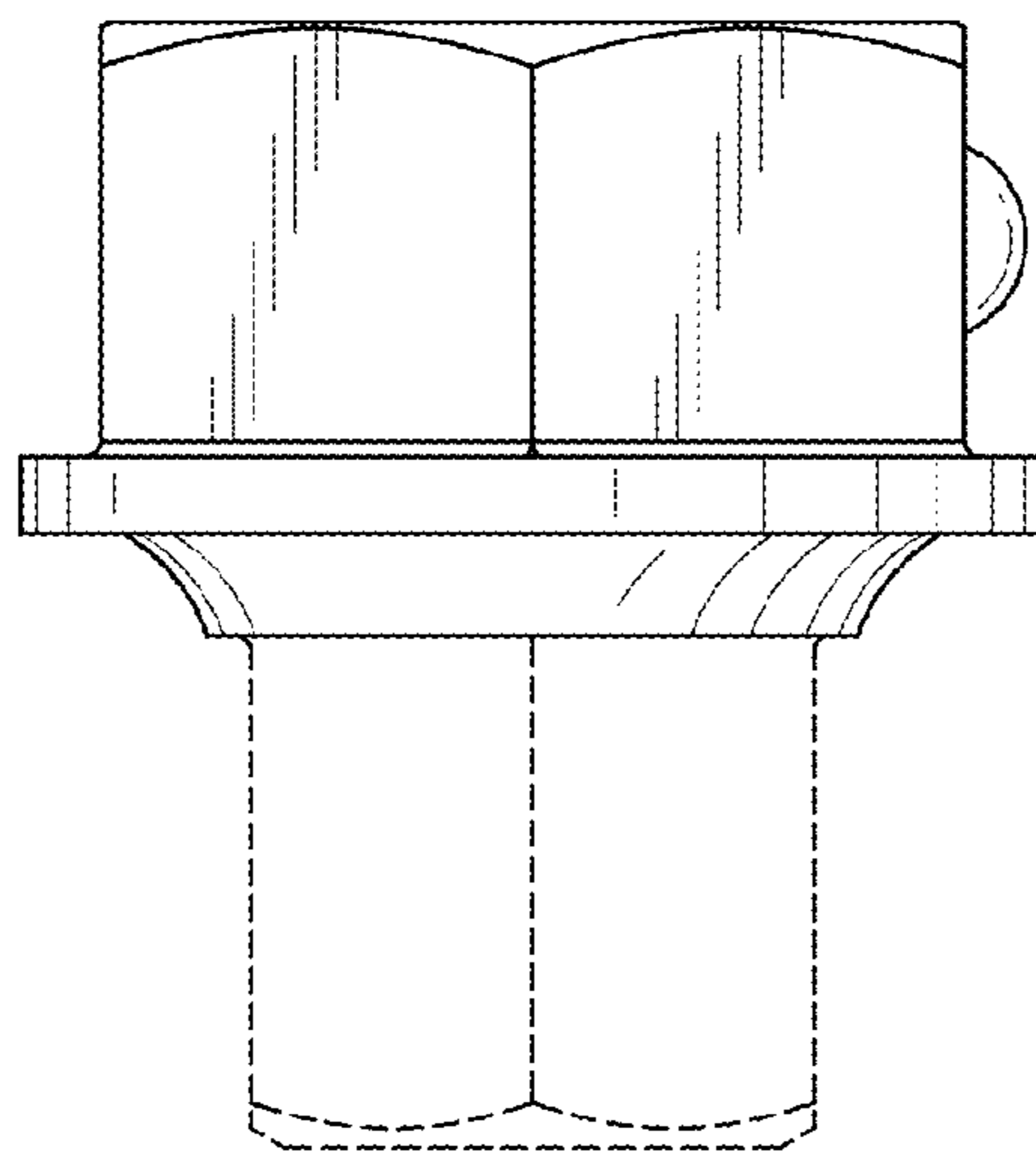


FIG. 4

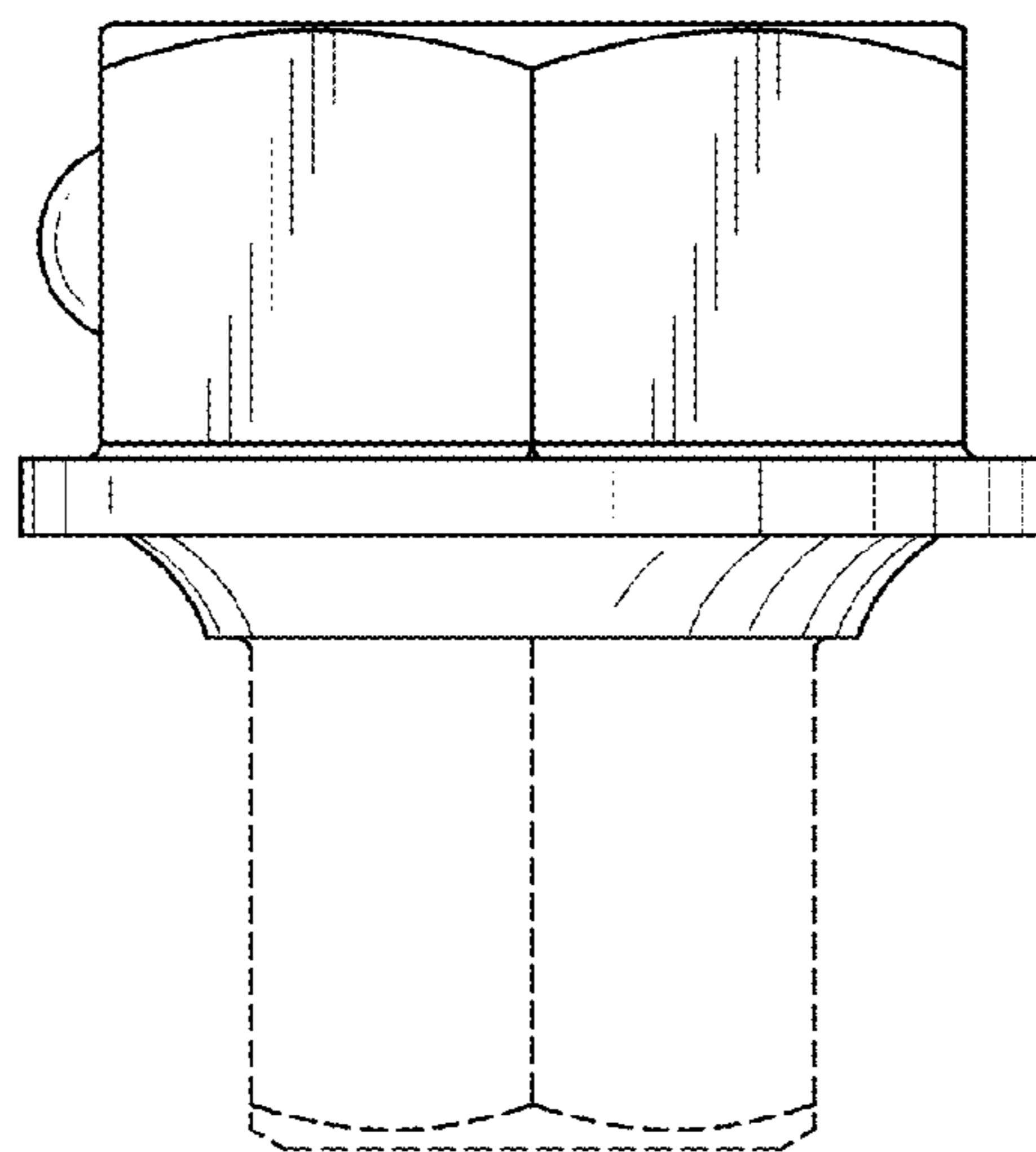


FIG. 5

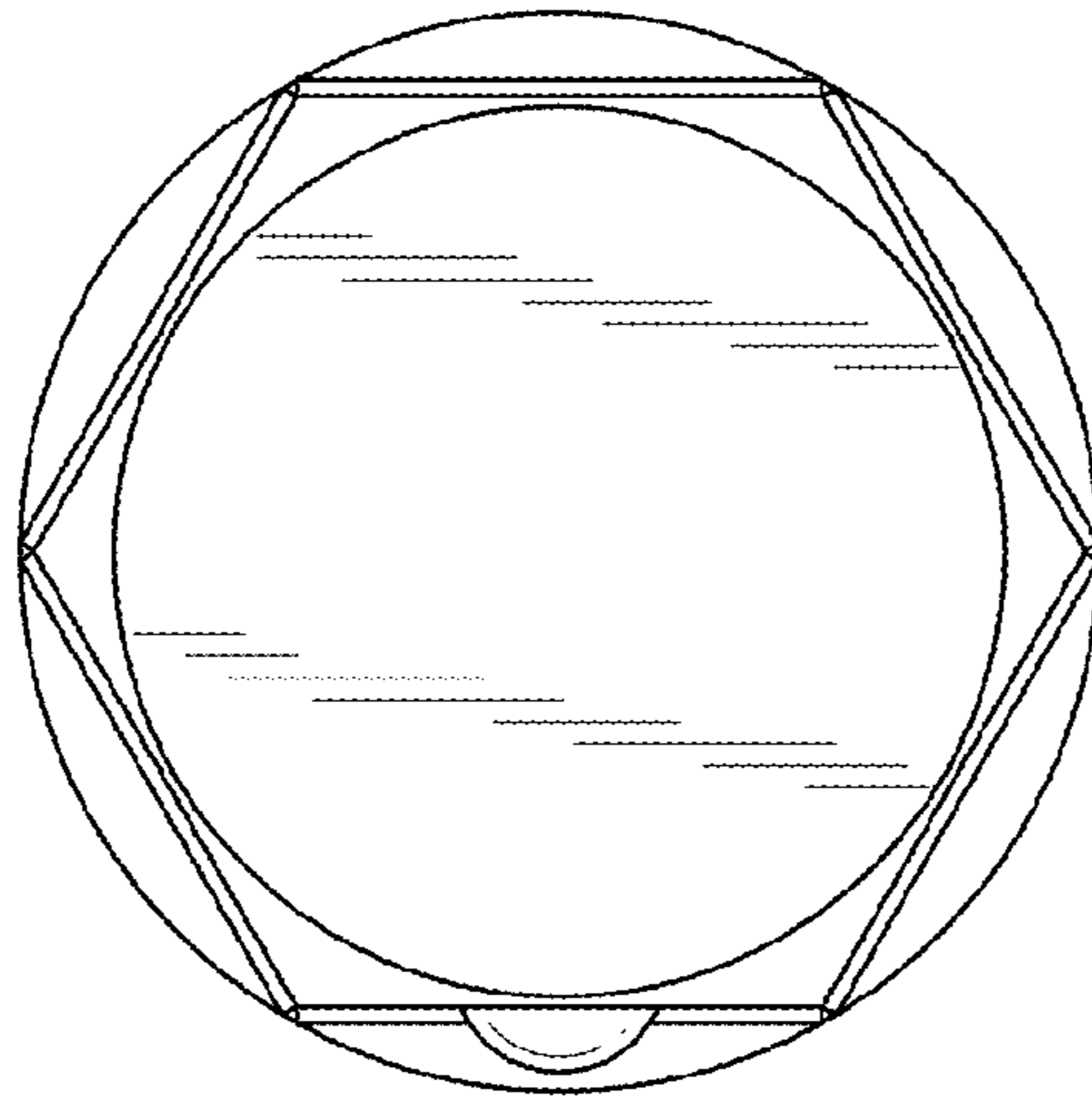


FIG. 6

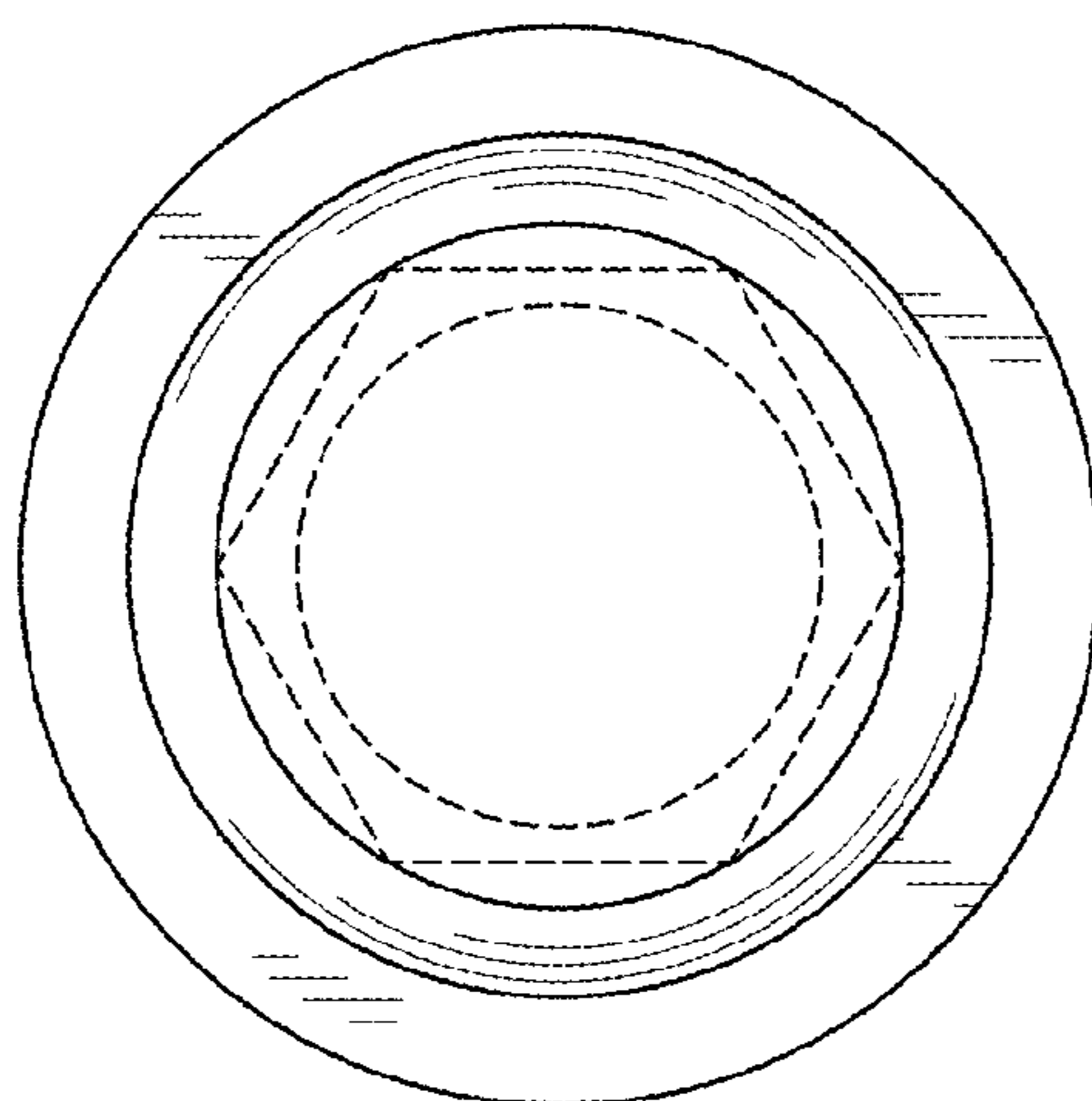


FIG. 7

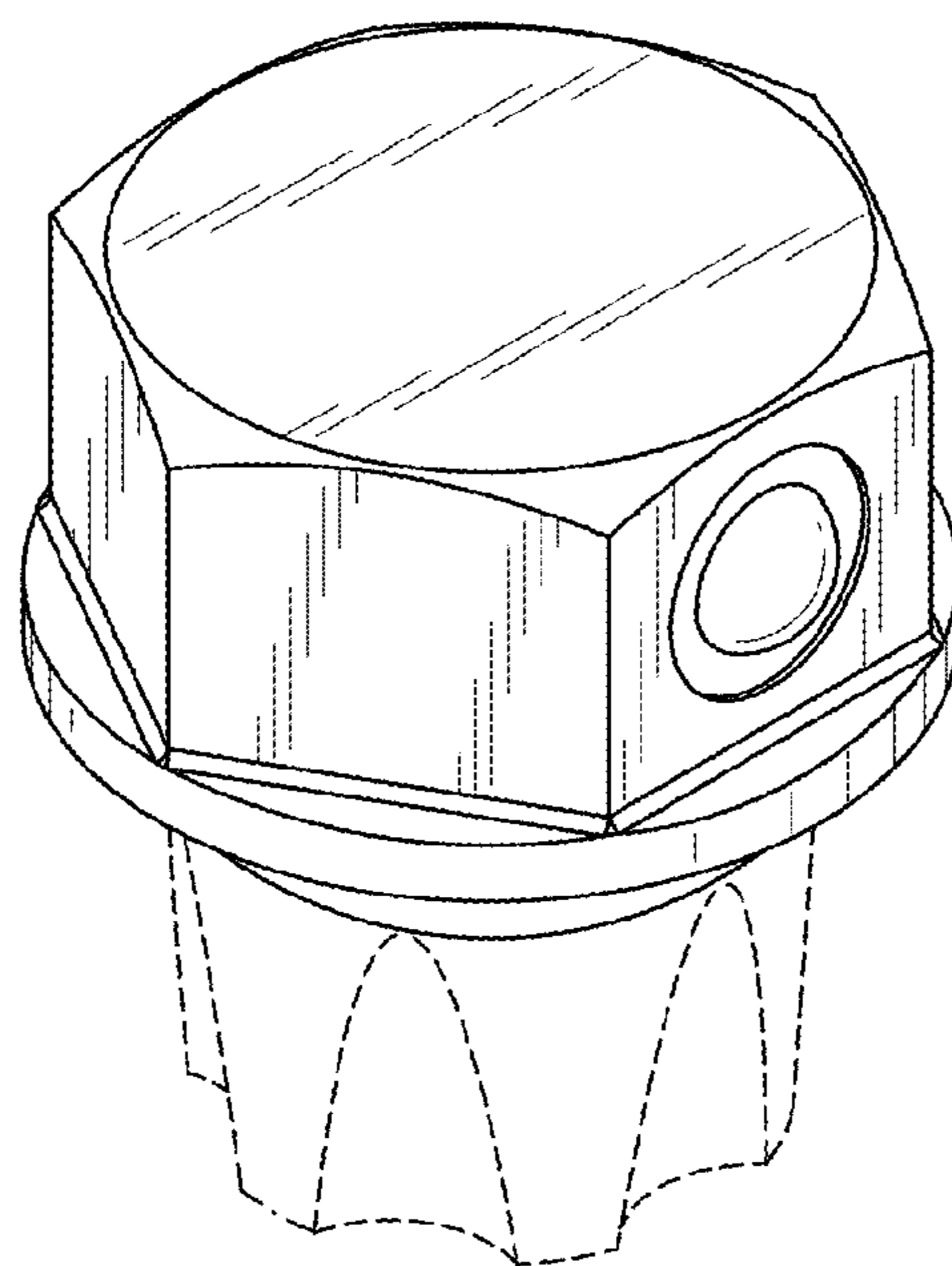


FIG. 8

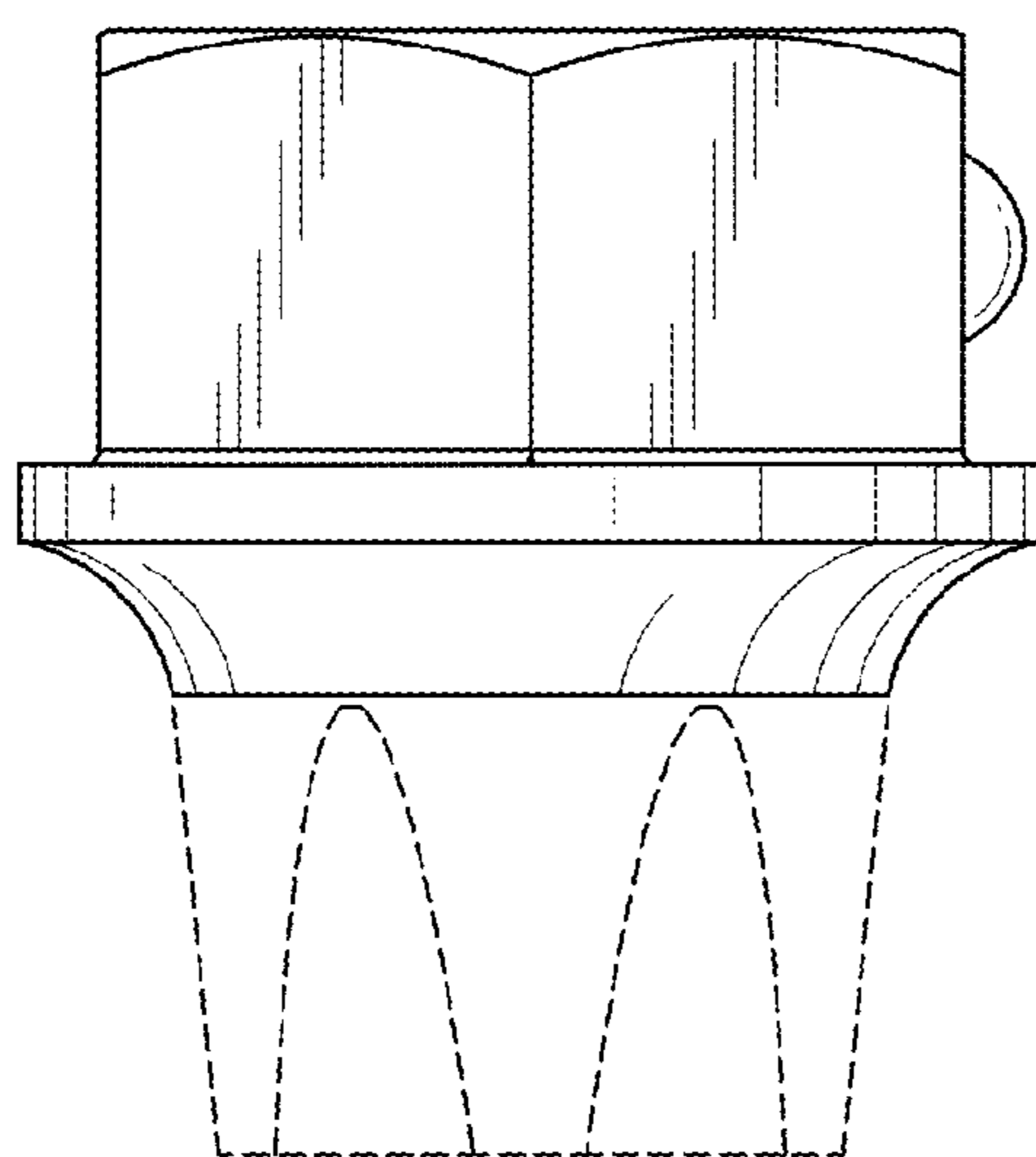


FIG. 9