



US00D712704S

(12) **United States Design Patent**
Gardner

(10) **Patent No.:** **US D712,704 S**

(45) **Date of Patent:** **** Sep. 9, 2014**

(54) **INSULATING COOLER**

(71) Applicant: **John R. Gardner**, Markesan, WI (US)

(72) Inventor: **John R. Gardner**, Markesan, WI (US)

(**) Term: **14 Years**

(21) Appl. No.: **29/455,730**

(22) Filed: **May 23, 2013**

(51) **LOC (10) Cl.** **07-01**

(52) **U.S. Cl.**
USPC **D7/605**

(58) **Field of Classification Search**
CPC F25D 3/08
USPC D7/603-608, 629, 630; D9/414,
D9/430-432; 62/457.1-457.9, 371, 372;
220/592.2, 592.27, 592.21, 592.22,
220/592.23, 592.26, 592.28, 915.1, 915.2
See application file for complete search history.

(56) **References Cited**

U.S. PATENT DOCUMENTS

5,803,472 A * 9/1998 Lien 280/47.26
D401,479 S * 11/1998 Norman et al. D7/605

6,266,972 B1 * 7/2001 Bostic 62/371
D486,357 S * 2/2004 Leba et al. D7/605
D528,368 S * 9/2006 Maldonado D7/605
7,140,507 B2 * 11/2006 Maldonado et al. 220/592.2
D651,859 S * 1/2012 Blake D7/605

* cited by examiner

Primary Examiner — Terry Wallace

(74) *Attorney, Agent, or Firm* — Whyte Hirschboeck Dudek S.C.

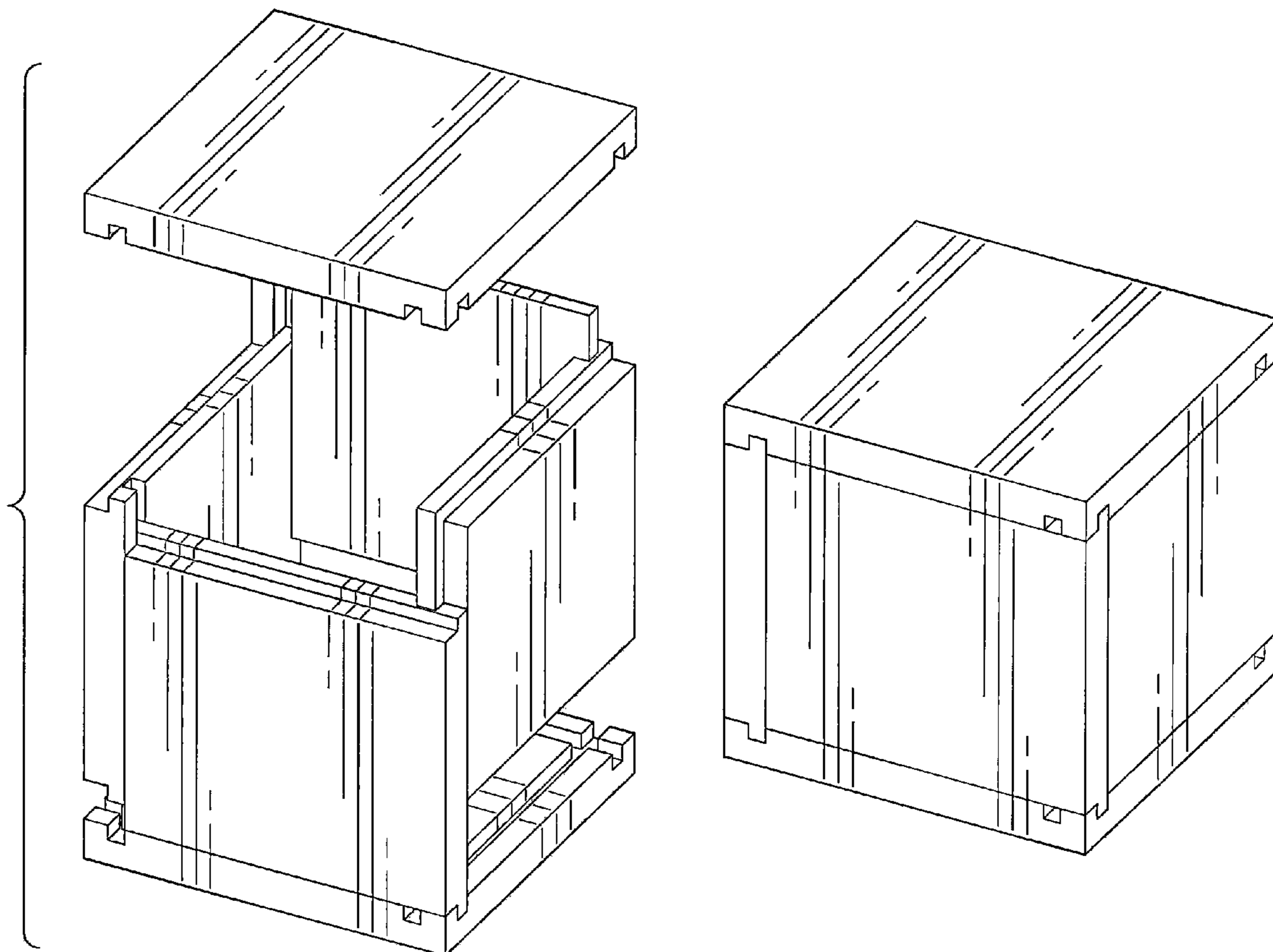
(57) **CLAIM**

The ornamental design for an insulating cooler, as shown and described.

DESCRIPTION

FIG. 1 is an exploded front perspective view of an insulating cooler showing my new design.
FIG. 2 is a front perspective view thereof;
FIG. 3 is a front view thereof;
FIG. 4 is a back view thereof;
FIG. 5 is a right side view thereof;
FIG. 6 is a left side view thereof;
FIG. 7 is a top view thereof; and,
FIG. 8 is a bottom view thereof.

1 Claim, 4 Drawing Sheets



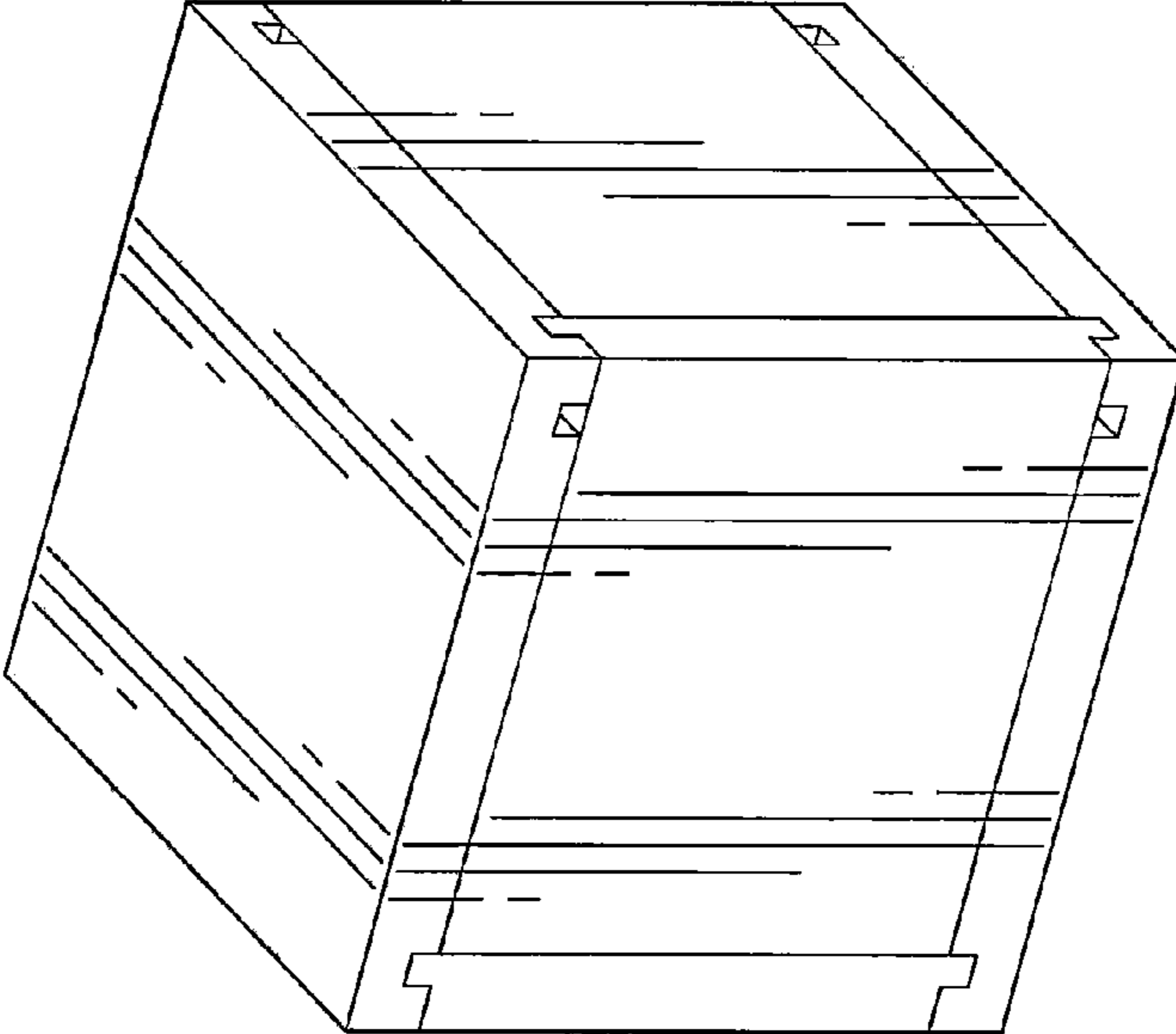


FIG. 2

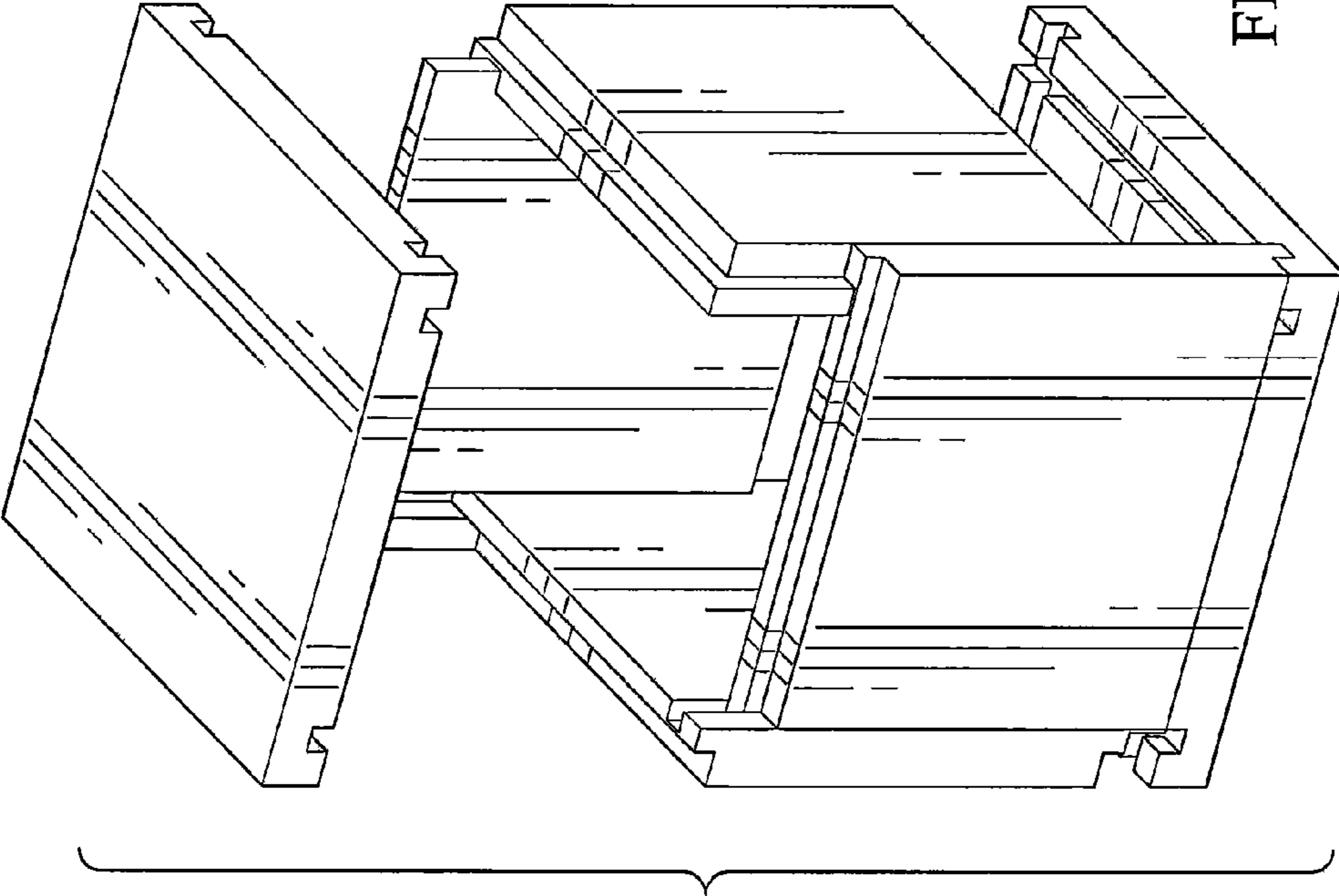


FIG. 1

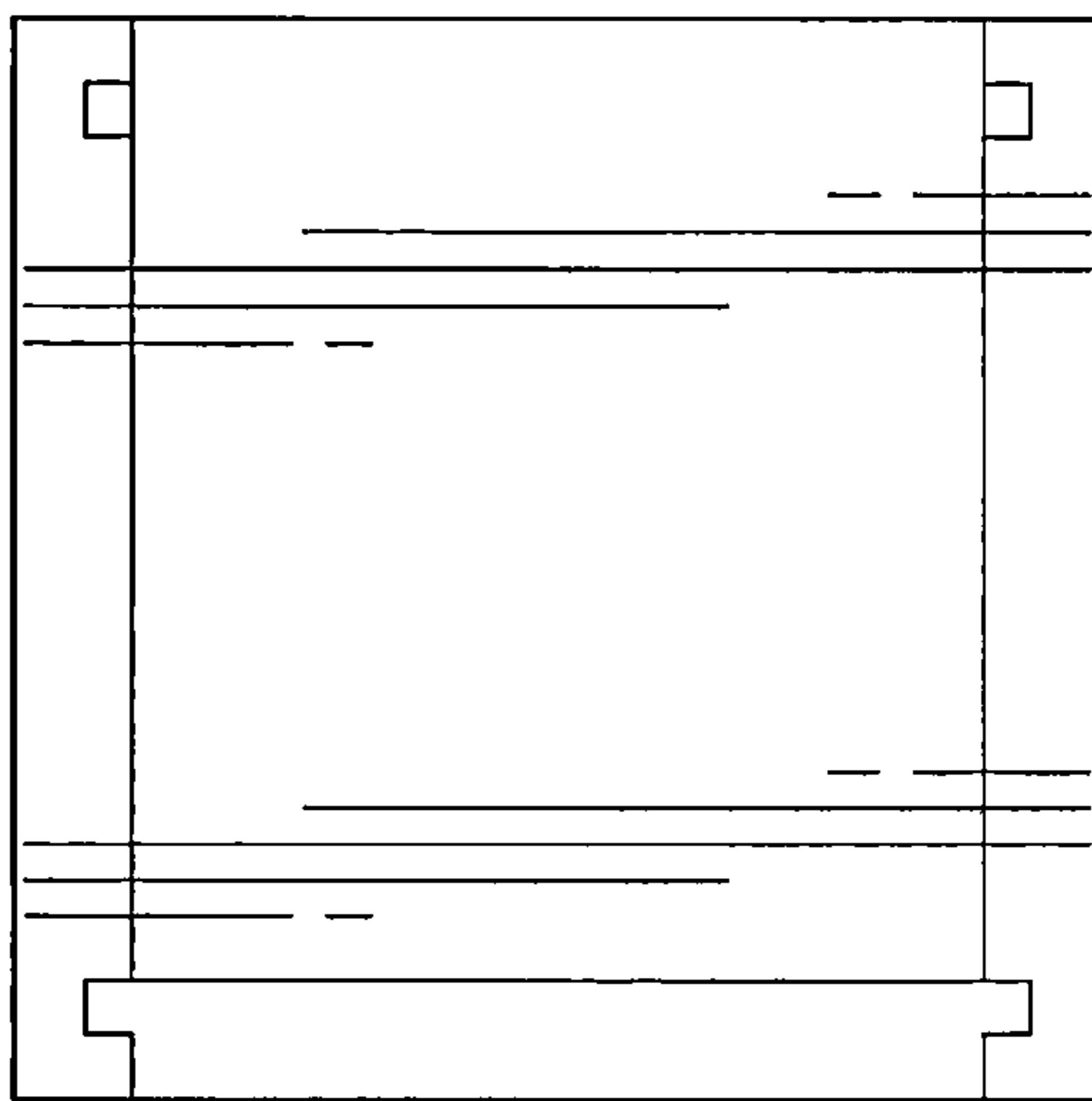


FIG. 4

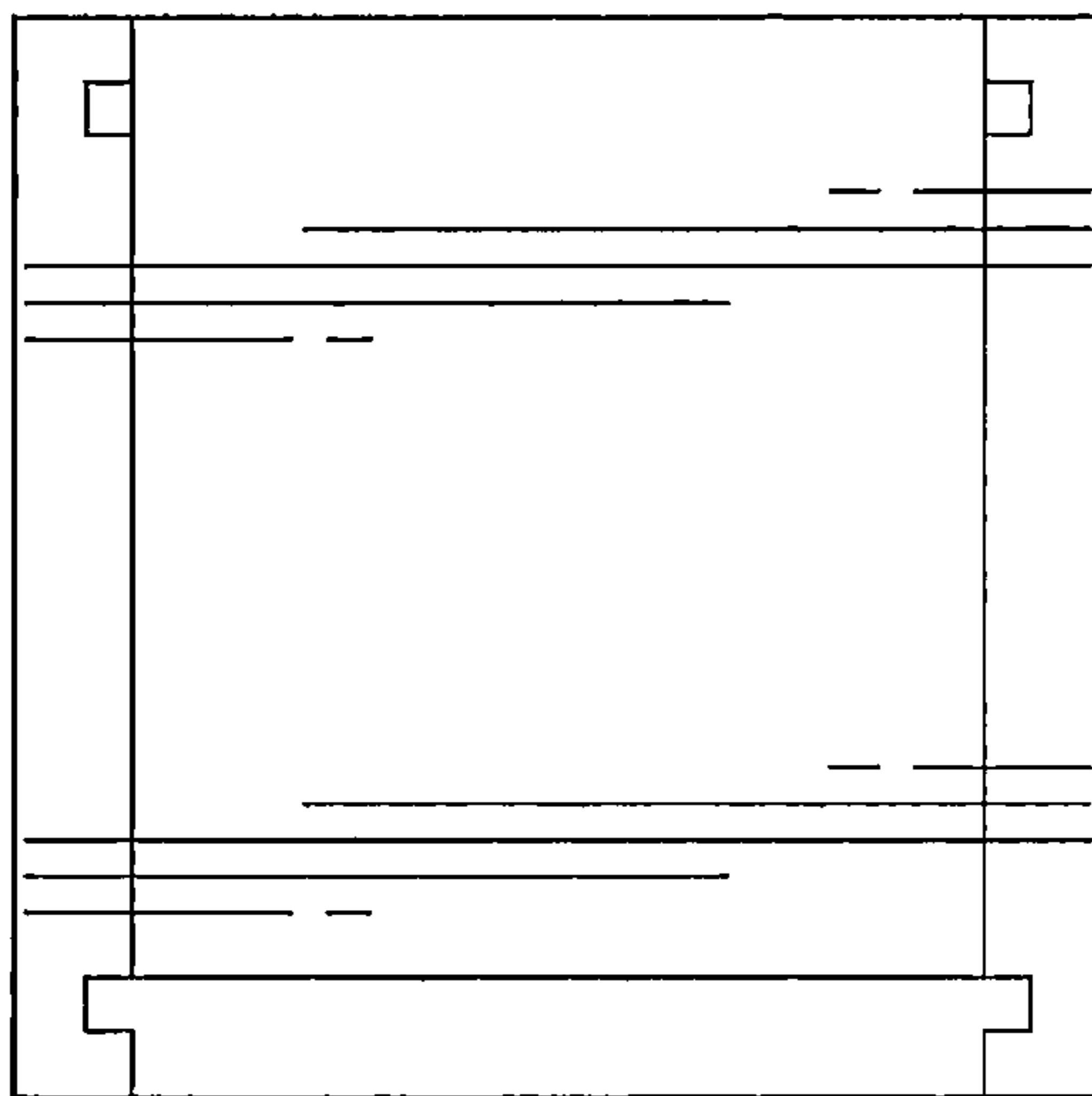


FIG. 3

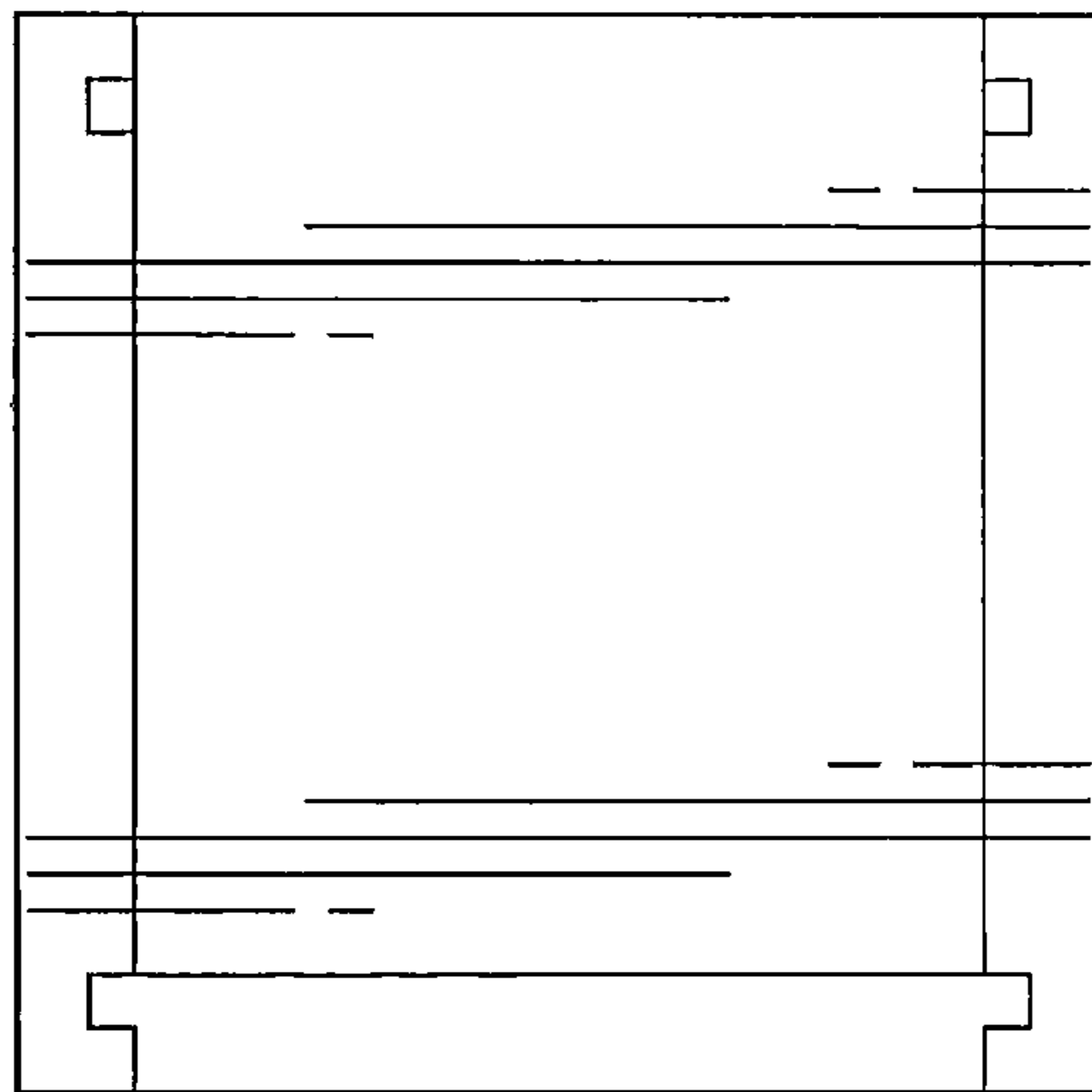


FIG. 6

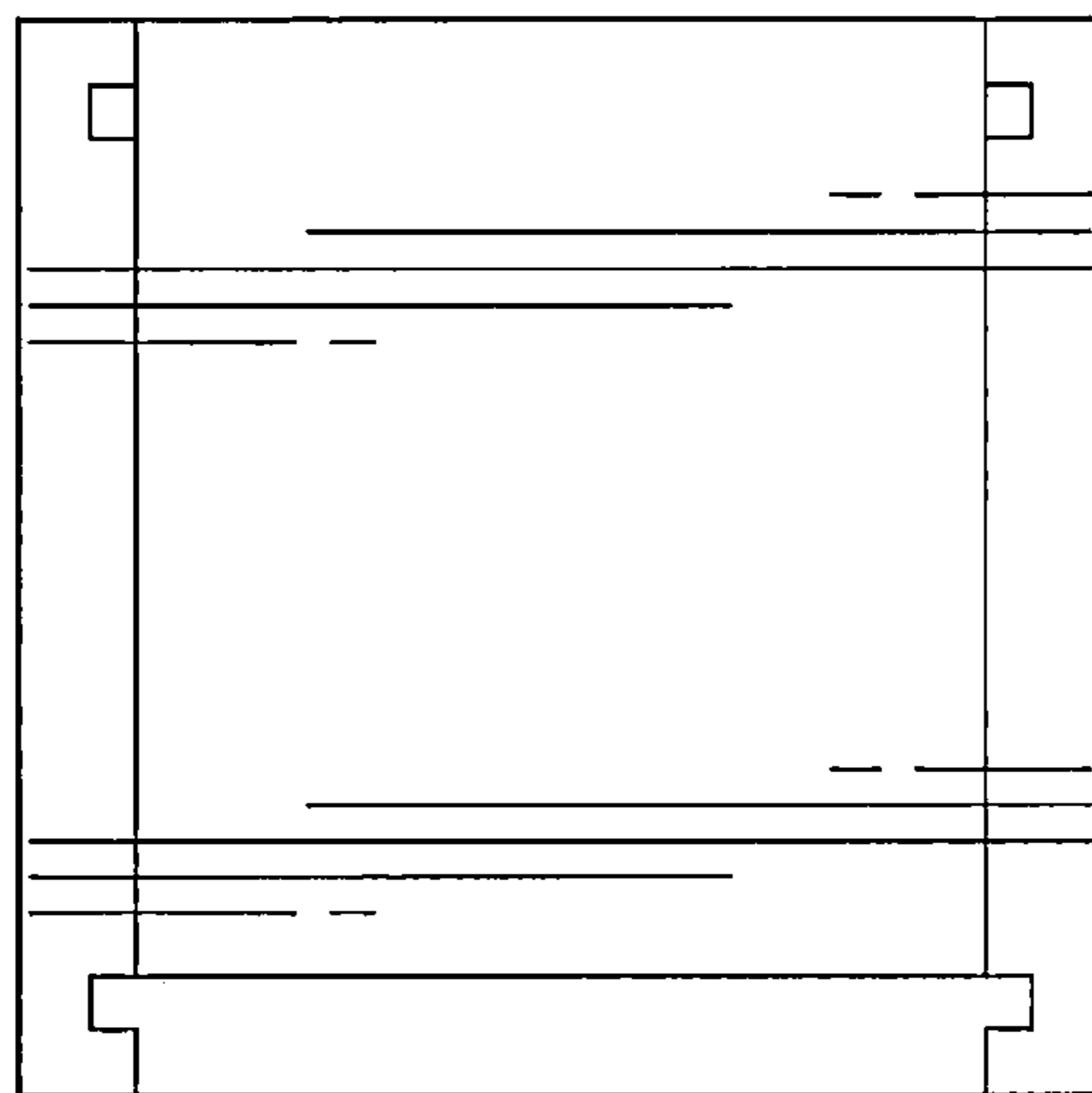


FIG. 5

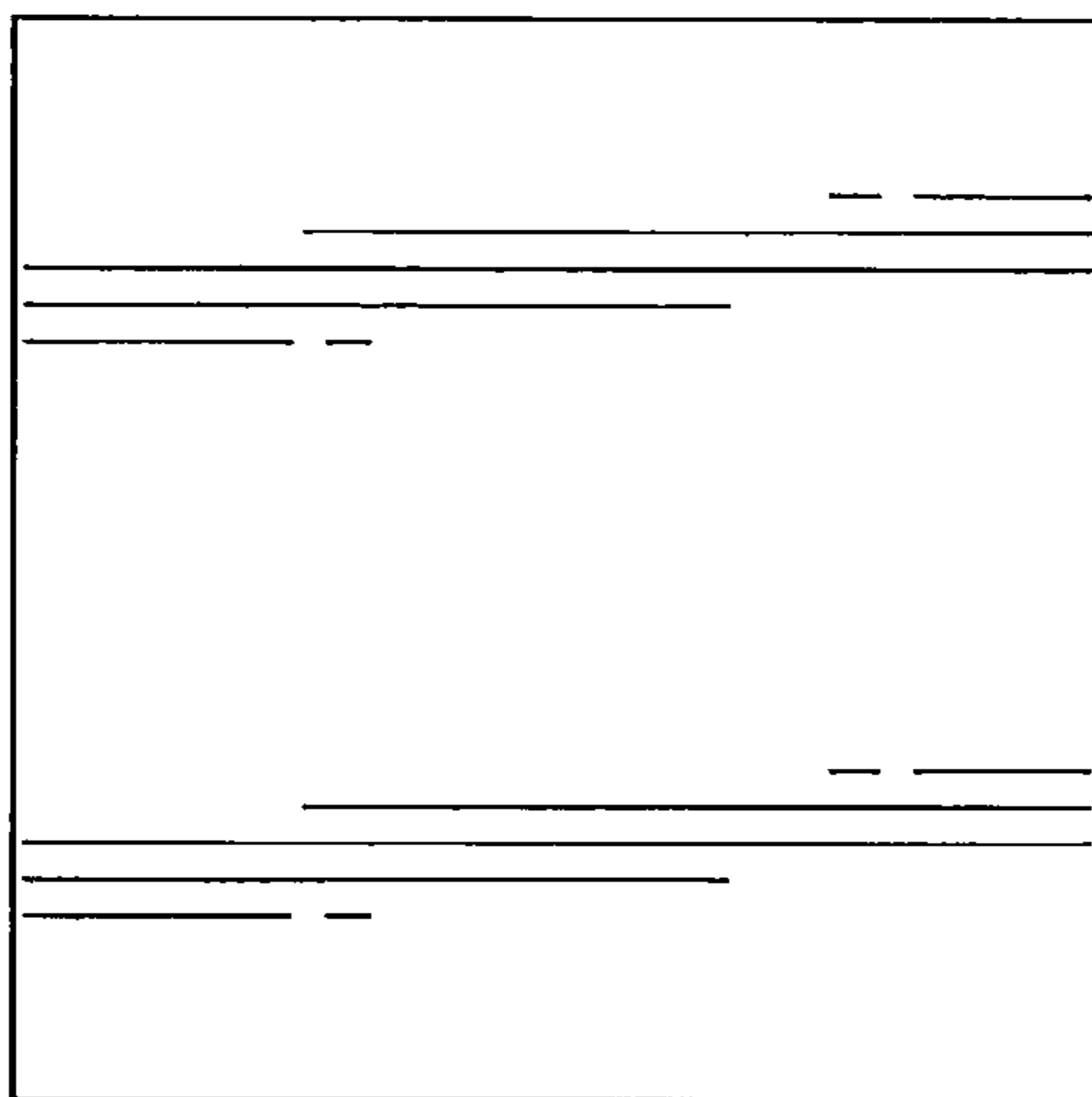


FIG. 8

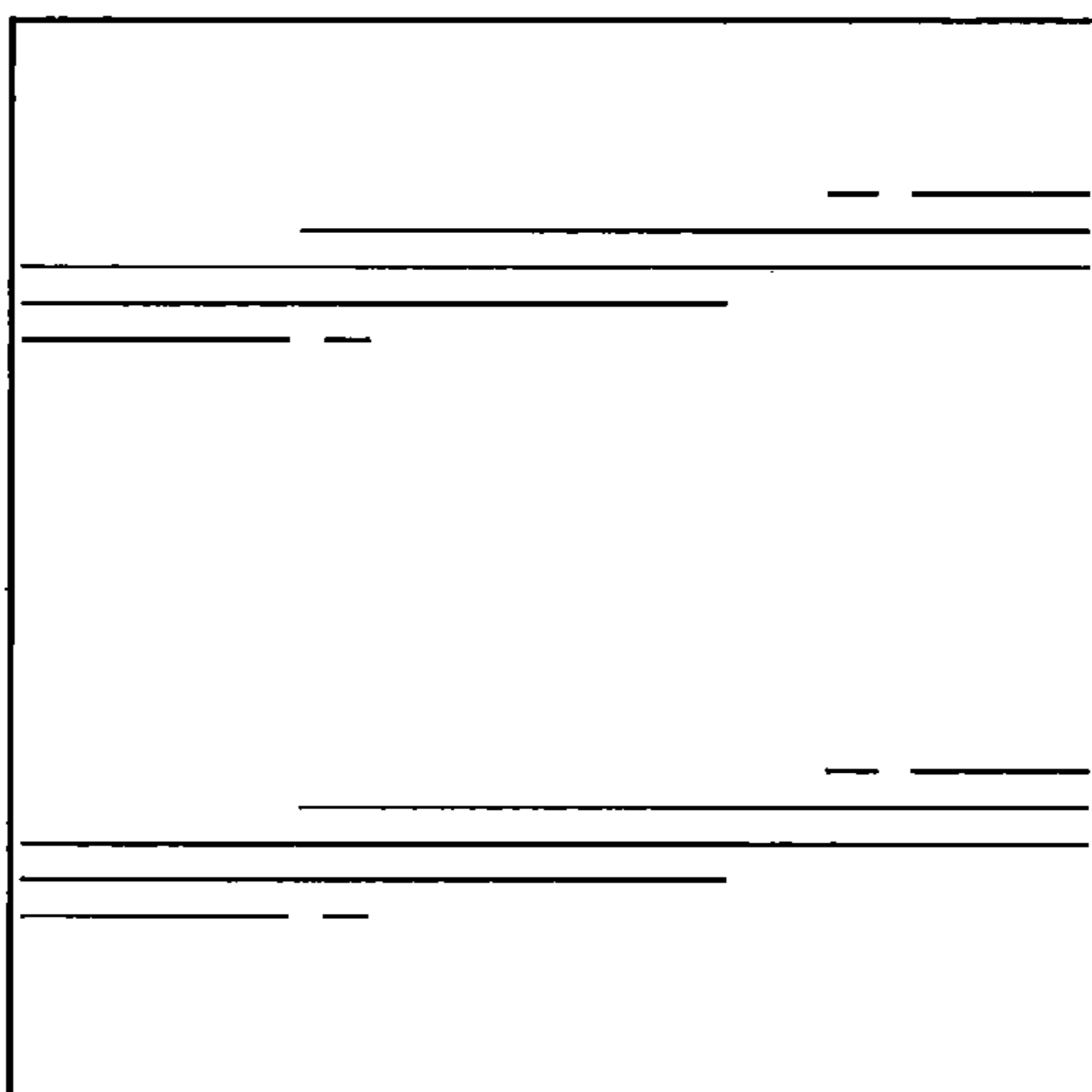


FIG. 7