



US00D712702S

(12) **United States Design Patent**
Stamper et al.

(10) **Patent No.:** **US D712,702 S**

(45) **Date of Patent:** **** Sep. 9, 2014**

- (54) **BOWL WITH HANDLE**
- (71) Applicants: **Leonard R. Stamper**, Anaheim, CA
(US); **Brian J. Sykes**, Mission Viejo, CA
(US)
- (72) Inventors: **Leonard R. Stamper**, Anaheim, CA
(US); **Brian J. Sykes**, Mission Viejo, CA
(US)
- (73) Assignee: **Shye Worldwide LLC**, Lake Forest, CA
(US)

(**) Term: **14 Years**

(21) Appl. No.: **29/469,917**

(22) Filed: **Oct. 16, 2013**

(51) **LOC (10) Cl.** **07-01**

(52) **U.S. Cl.**
USPC **D7/543**

(58) **Field of Classification Search**
USPC D7/543, 552.1, 600, 705, 550.1, 545,
D7/586, 667, 566, 357, 584, 585, 587,
D7/533; D3/315; D28/61; D9/666; 99/341;
220/575, 751, 23.4, 697; 131/231,
131/235.1; D27/104; 224/604; D10/46.2;
D24/334, 123; D32/54

See application file for complete search history.

(56) **References Cited**

U.S. PATENT DOCUMENTS

1,058,146	A *	4/1913	Burdin	210/469
D293,291	S *	12/1987	Hansen	D7/533
D427,596	S	7/2000	Herbert		
D543,074	S *	5/2007	Luft	D7/543
D557,075	S *	12/2007	Lucaci et al.	D7/536
D562,633	S *	2/2008	Luft	D7/533
D637,421	S	5/2011	Theisen		

D664,004	S *	7/2012	Benishai	D7/543
D672,616	S *	12/2012	Stamper et al.	D7/602
D673,426	S *	1/2013	Heiberg et al.	D7/545
D678,727	S *	3/2013	Kolar	D7/533
2010/0084370	A1 *	4/2010	Ranzoni	215/398
2012/0002501	A1 *	1/2012	Ulstad et al.	366/205
2013/0233868	A1	9/2013	Benishai		

* cited by examiner

Primary Examiner — Cynthia Underwood

(57) **CLAIM**

The ornamental design for the bowl with handle, as shown and described.

DESCRIPTION

FIG. 1 depicts a front side of the bowl with handle, in isometric view. The dashed line areas comprise no part of the claimed design, and indicate the environment for a container lid that might be used with the bowl of the claimed design.

FIG. 2 depicts a front view of the bowl with handle. The dashed line areas comprise no part of the claimed design, and indicate the environment around the bowl.

FIG. 3 depicts a back view of the bowl with handle. The dashed line areas comprise no part of the claimed design, and indicate the environment around the bowl.

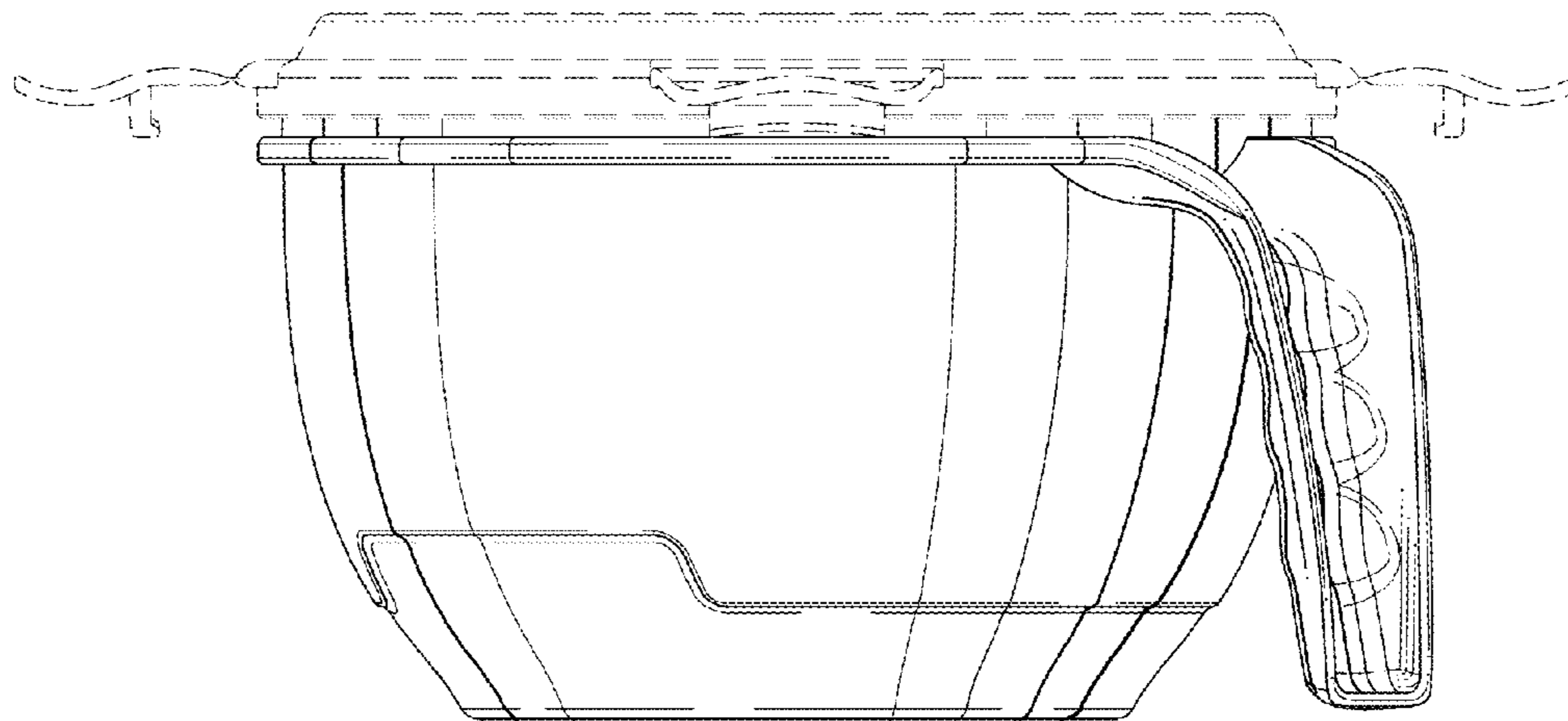
FIG. 4 depicts a right side view of the bowl with handle. The dashed line areas comprise no part of the claimed design, and indicate the environment around the bowl.

FIG. 5 depicts a left side view of the bowl with handle. The dashed line areas comprise no part of the claimed design, and indicate the environment around the bowl.

FIG. 6 depicts a top view of the bowl with handle. The dashed line areas comprise no part of the claimed design, and indicate the environment around the bowl; and,

FIG. 7 depicts a bottom view of the bowl with handle. The dashed line areas comprise no part of the claimed design, and indicate the environment around the bowl.

1 Claim, 5 Drawing Sheets



LEFT SIDE

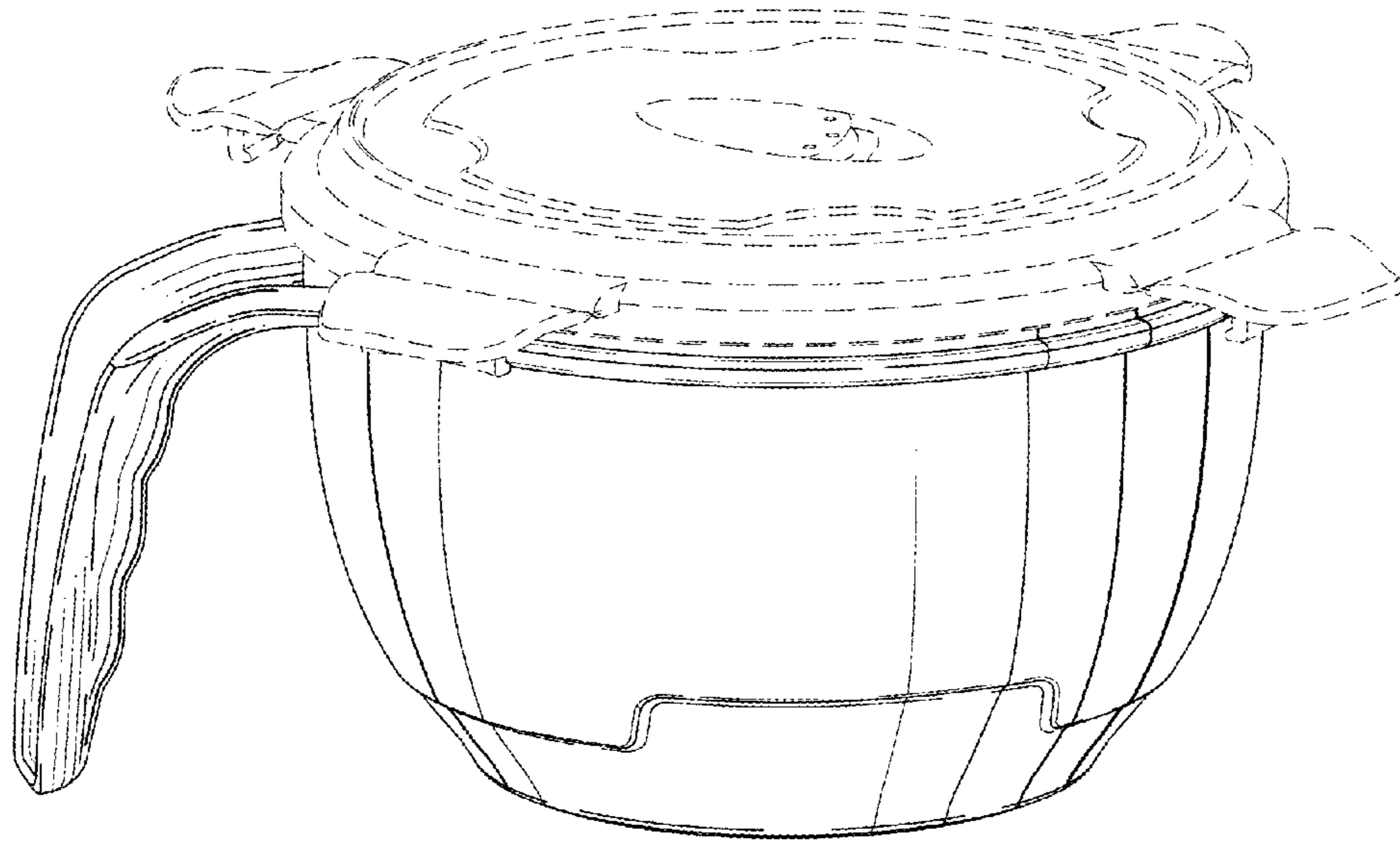


FIG. 1

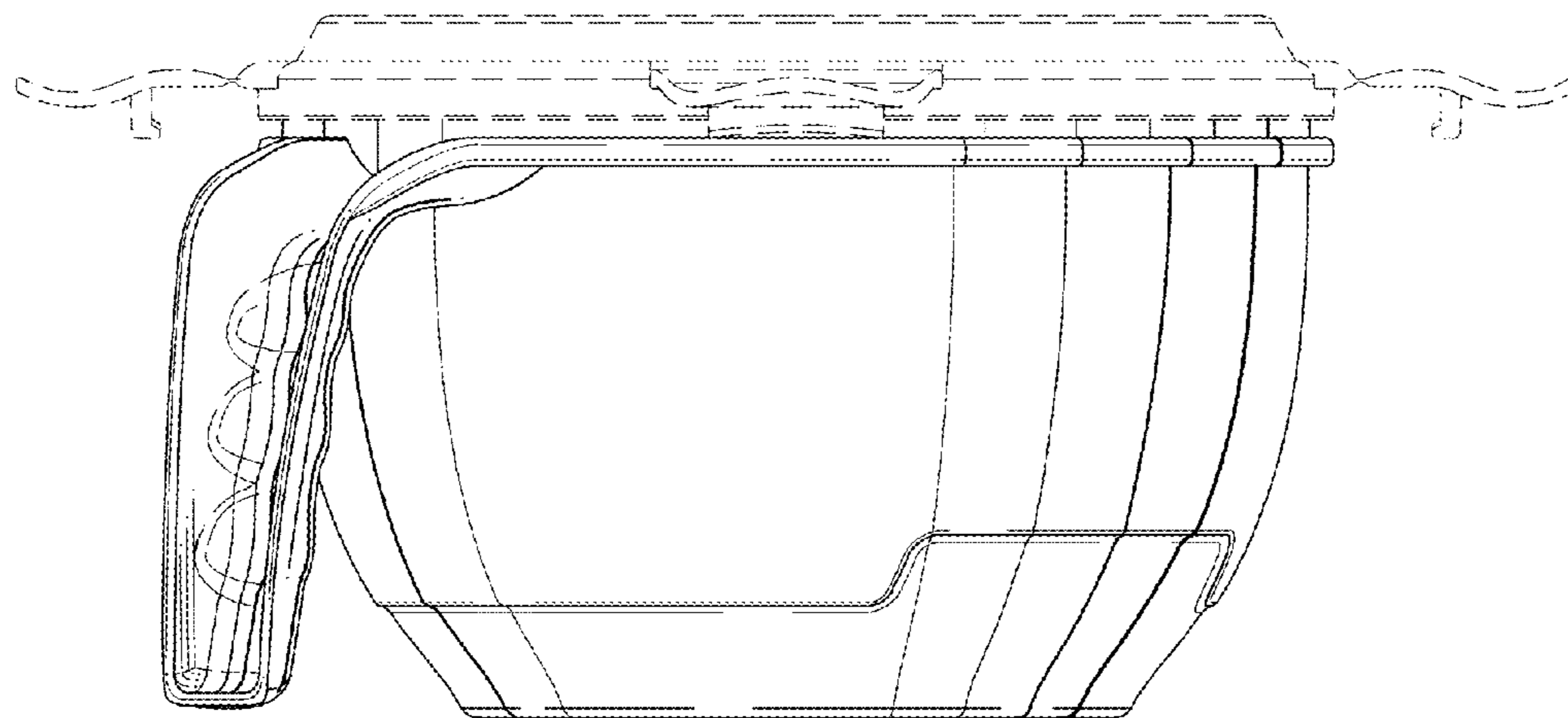


FIG. 2 FRONT

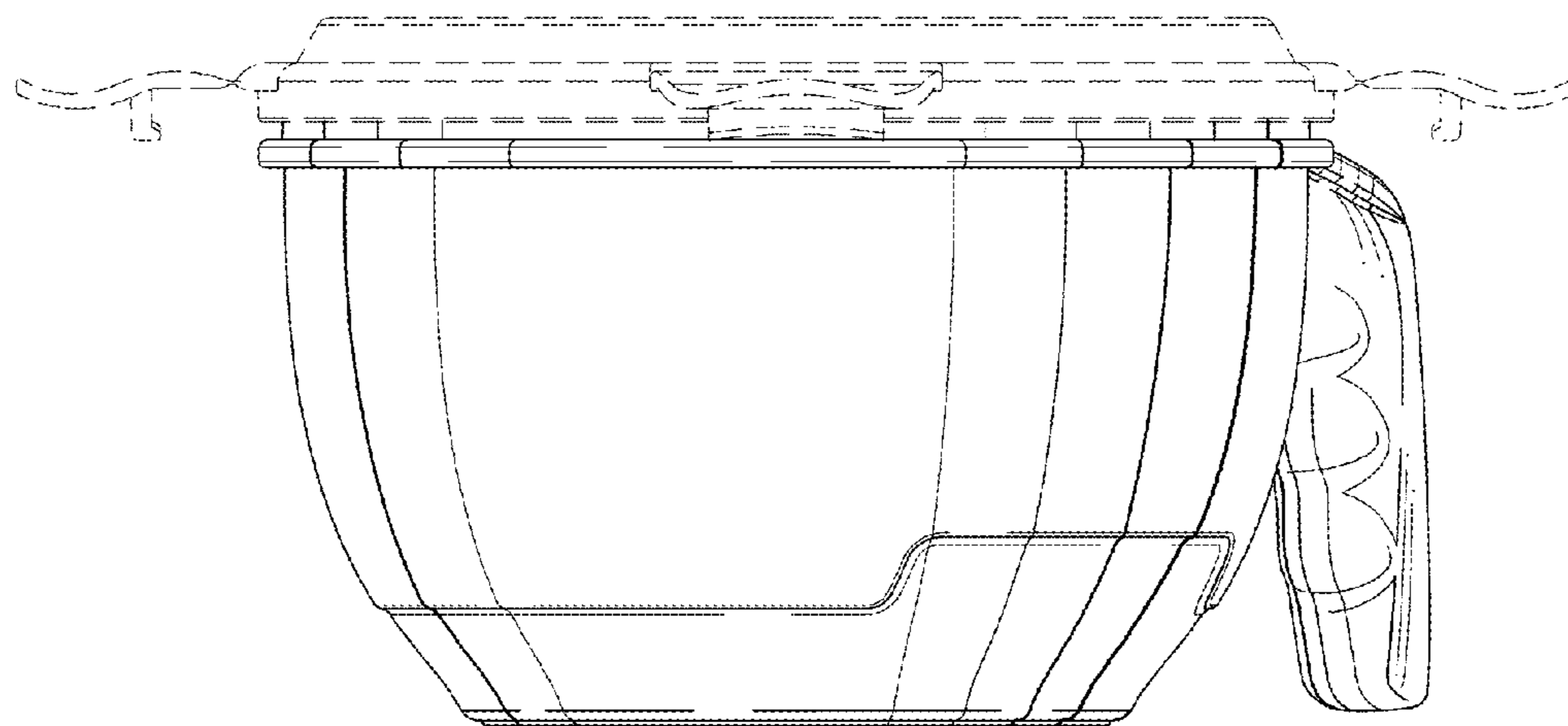


FIG. 3 BACK

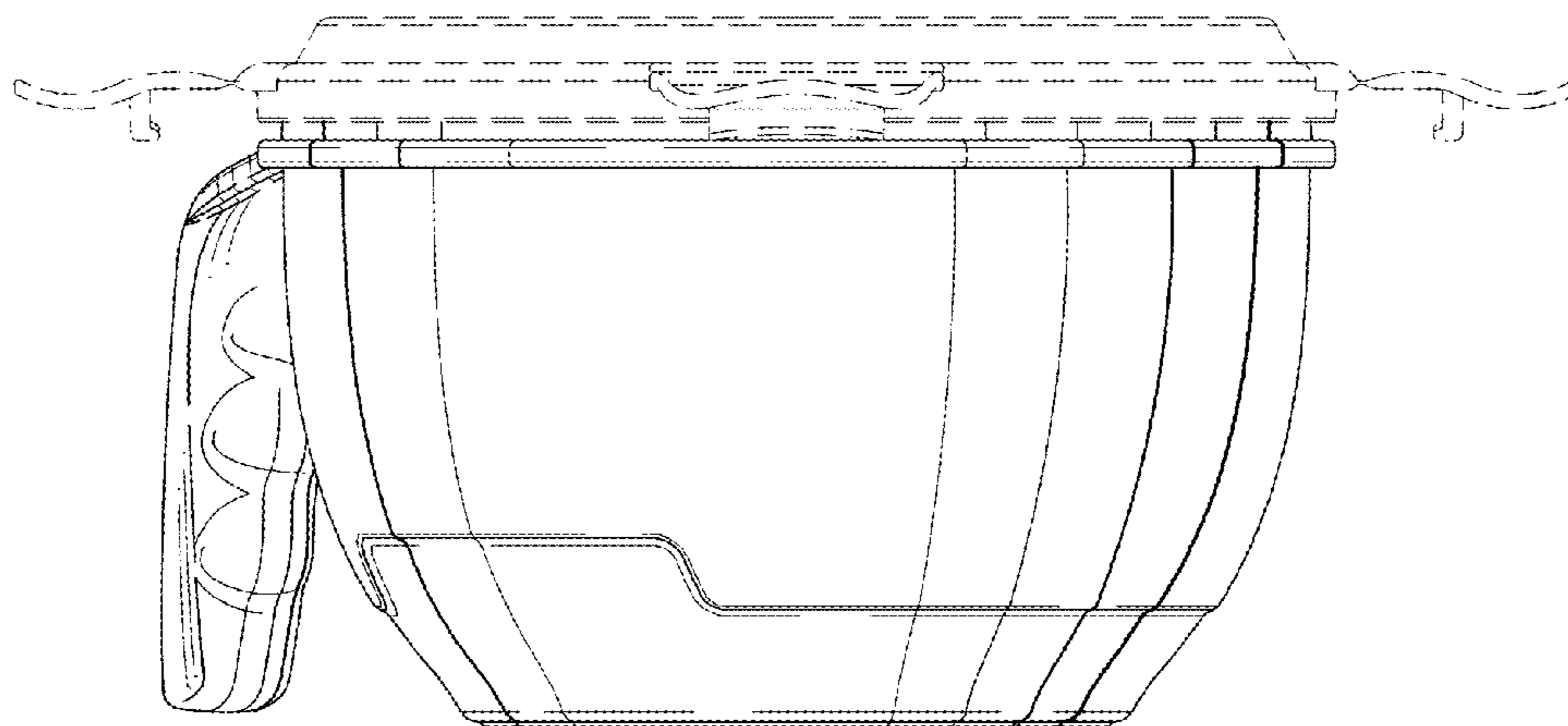


FIG. 4 RIGHT SIDE

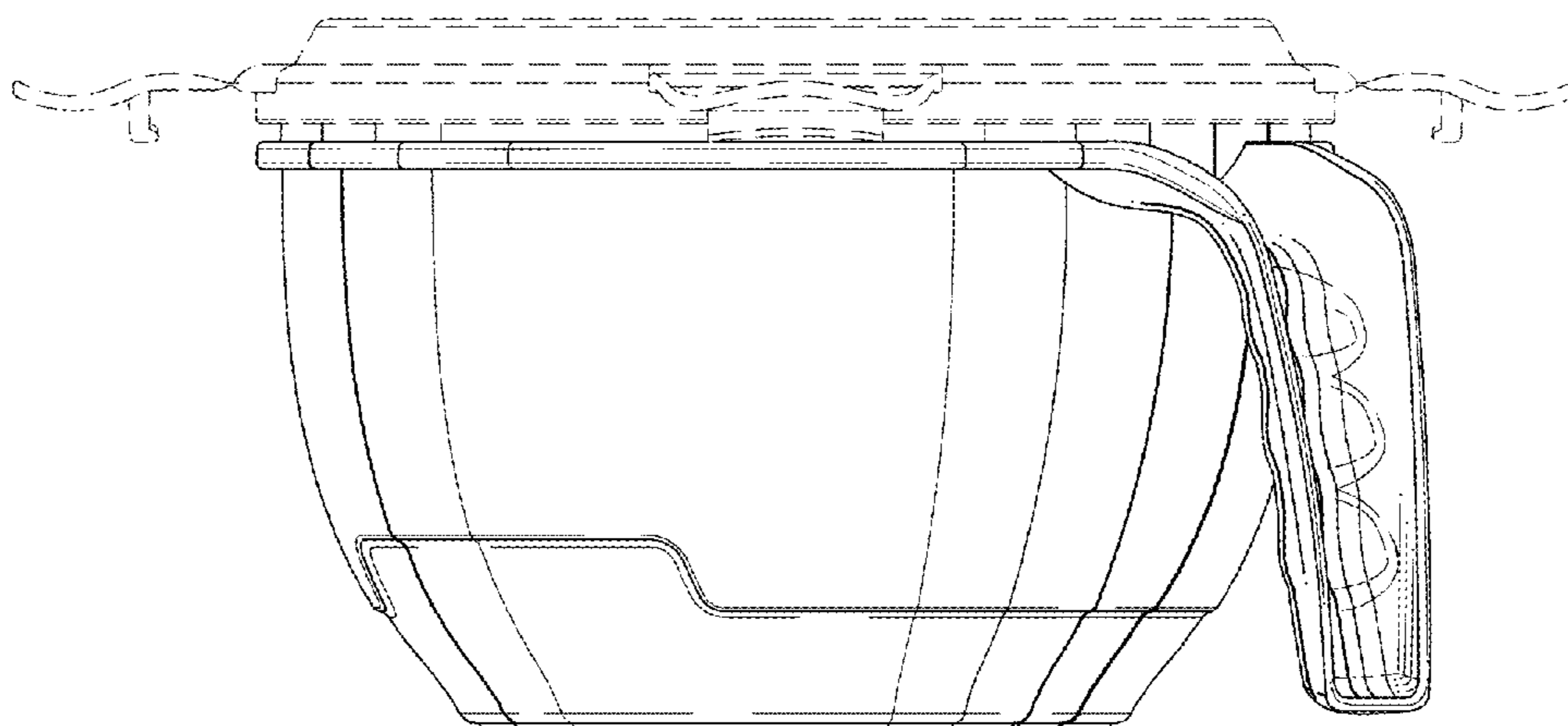


FIG. 5 LEFT SIDE

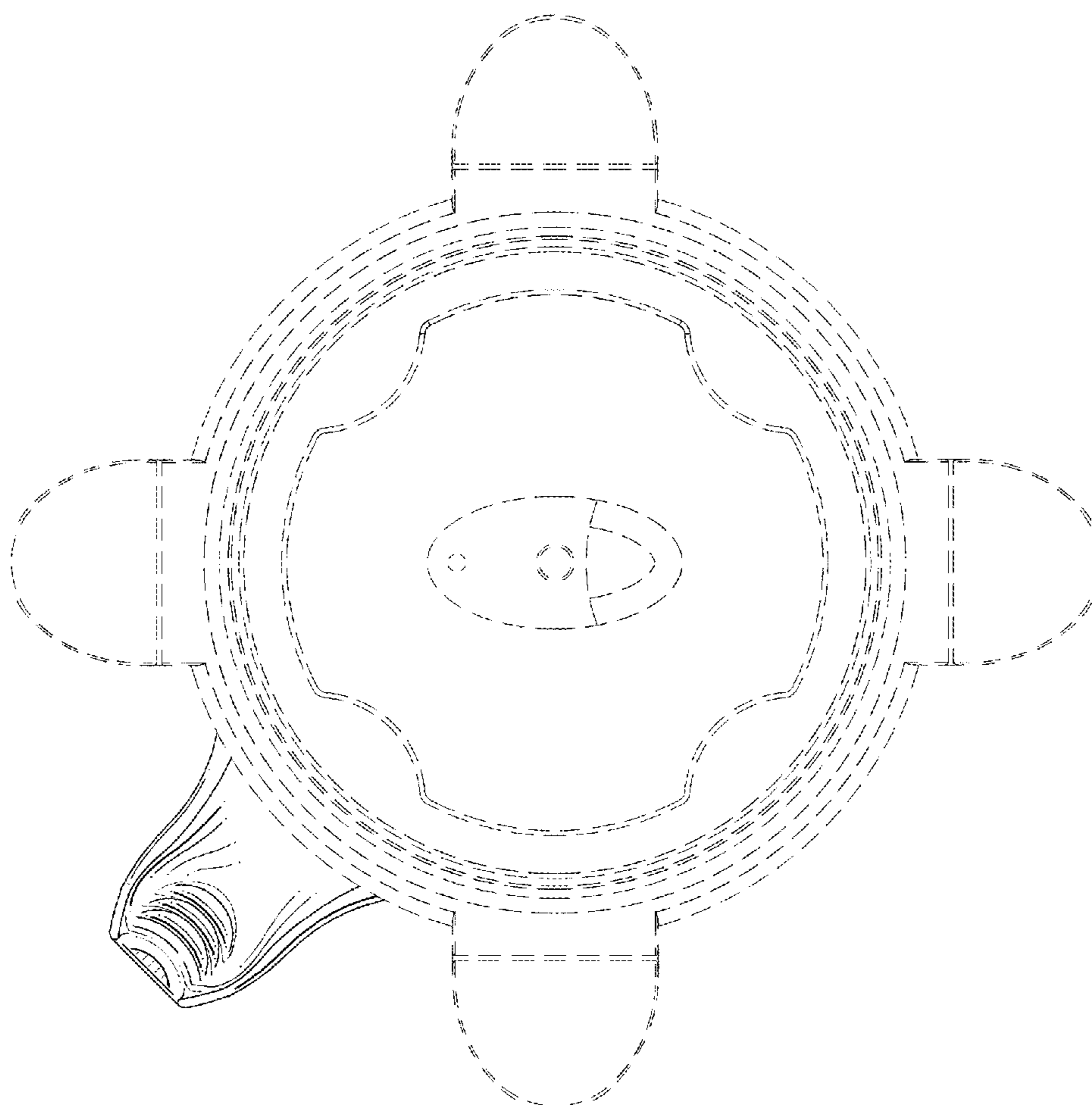


FIG. 6

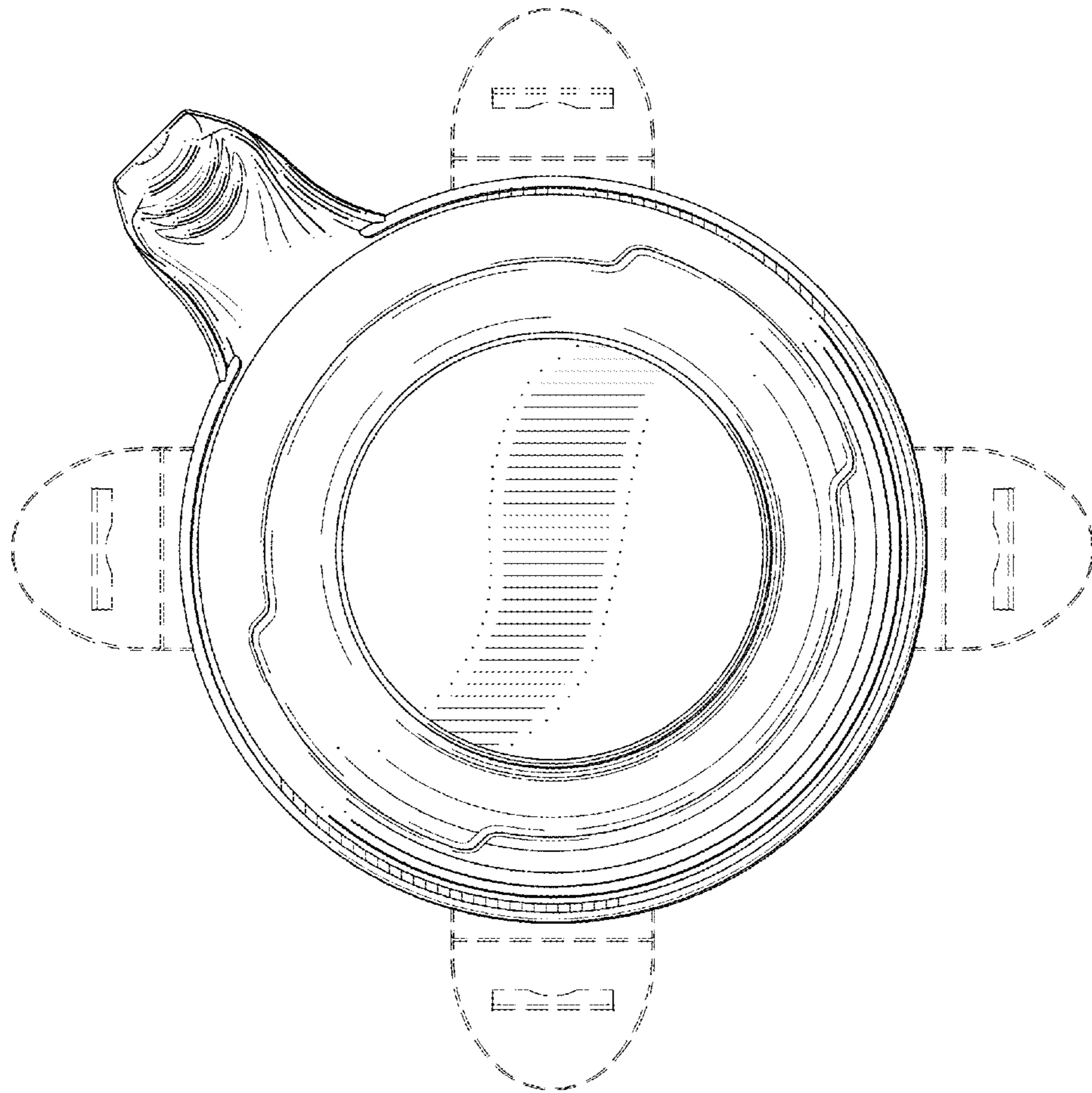


FIG. 7