



US00D712701S

(12) **United States Design Patent**
Boroski

(10) **Patent No.:** **US D712,701 S**

(45) **Date of Patent:** **** Sep. 9, 2014**

(54) **BEVERAGE MUG**

(71) Applicant: **Thermos L.L.C.**, Schaumburg, IL (US)

(72) Inventor: **Dwayne Boroski**, Lake in the Hills, IL (US)

(73) Assignee: **Thermos L.L.C.**, Schaumburg, IL (US)

(**) Term: **14 Years**

(21) Appl. No.: **29/458,042**

(22) Filed: **Jun. 14, 2013**

(51) **LOC (10) Cl.** **07-01**

(52) **U.S. Cl.**
USPC **D7/533**

(58) **Field of Classification Search**
USPC D7/317, 318, 500, 507, 509, 510, 511,
D7/523, 525, 529, 532, 533, 536, 598, 622,
D7/624.2; D9/500, 516, 716, 719;
D11/147; 206/457; 215/363, 387;
220/4.01, 592.16, 592.17, 602, 703,
220/710.5, 711, 787

See application file for complete search history.

(56) **References Cited**

U.S. PATENT DOCUMENTS

D394,187 S *	5/1998	Orrico et al.	D7/533
D479,671 S *	9/2003	Gluck	D7/533
D493,068 S *	7/2004	Slater et al.	D7/510
D507,151 S *	7/2005	Schuler et al.	D7/509
D545,128 S *	6/2007	Liu et al.	D7/507
D578,351 S *	10/2008	Pearson	D7/536

D593,367 S *	6/2009	Brooks	D7/529
D632,926 S *	2/2011	Gilbert et al.	D7/510
D643,245 S *	8/2011	Minarsch	D7/392.1
D691,416 S *	10/2013	Eyal	D7/396.2
2008/0101056 A1 *	5/2008	Bhavnani	362/101
2010/0288782 A1 *	11/2010	Lin	220/752

* cited by examiner

Primary Examiner — Susan Bennett Hattan

Assistant Examiner — Leanne Was

(74) *Attorney, Agent, or Firm* — Polsinelli PC

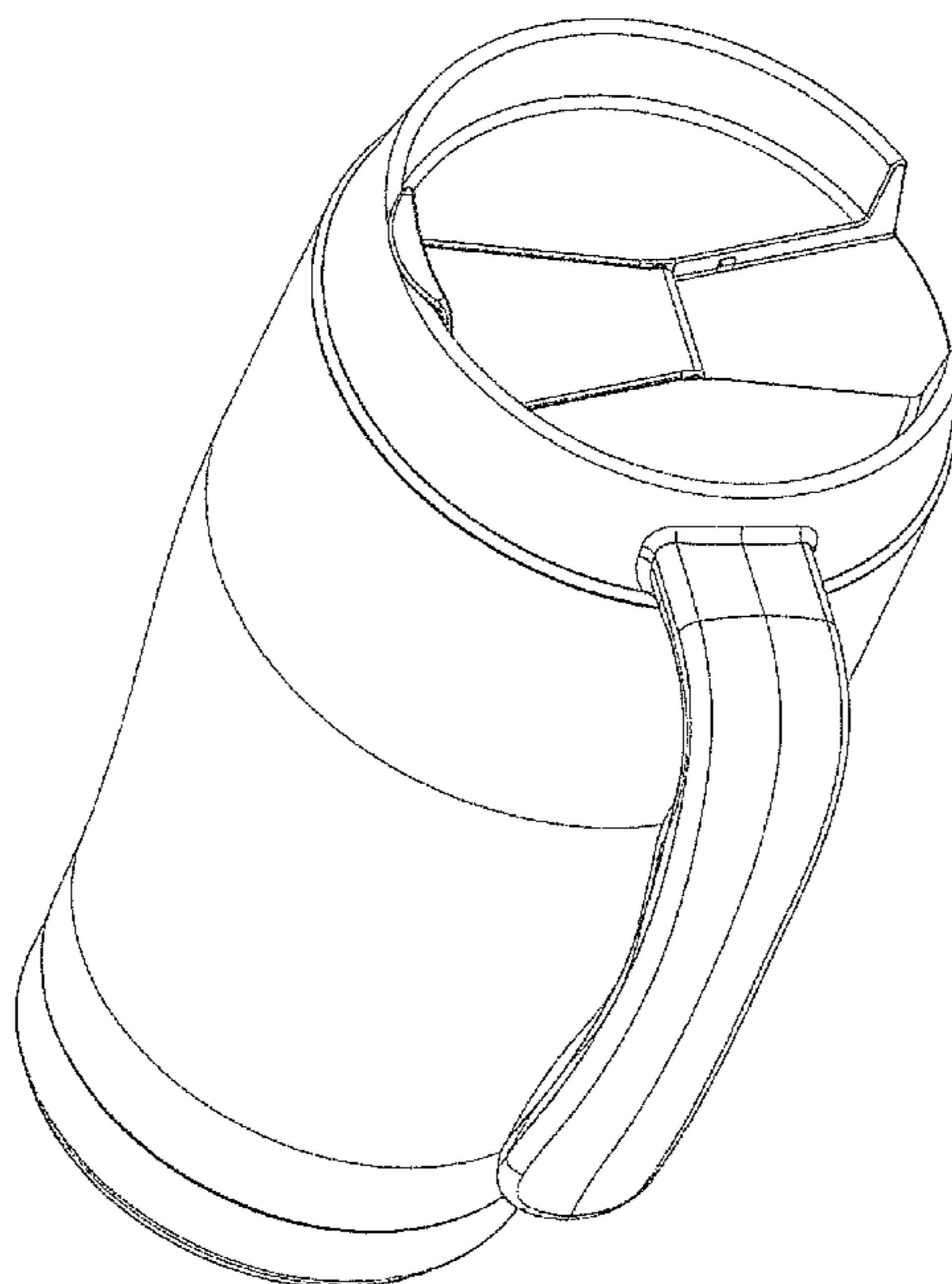
(57) **CLAIM**

The ornamental design for a beverage mug, as shown and described.

DESCRIPTION

FIG. 1 is a top perspective view of a beverage mug showing my new design;
 FIG. 2 is a bottom perspective view of the beverage mug shown in FIG. 1;
 FIG. 3 is a top plan view of the beverage mug shown in FIG. 1;
 FIG. 4 is a front elevational view of the beverage mug shown in FIG. 1;
 FIG. 5 is a right side elevational view of the beverage mug shown in FIG. 1;
 FIG. 6 is a rear elevational view of the beverage mug shown in FIG. 1;
 FIG. 7 is a left side elevational view of the beverage mug shown in FIG. 1; and,
 FIG. 8 is a bottom plan view of the beverage mug shown in FIG. 1.

1 Claim, 8 Drawing Sheets



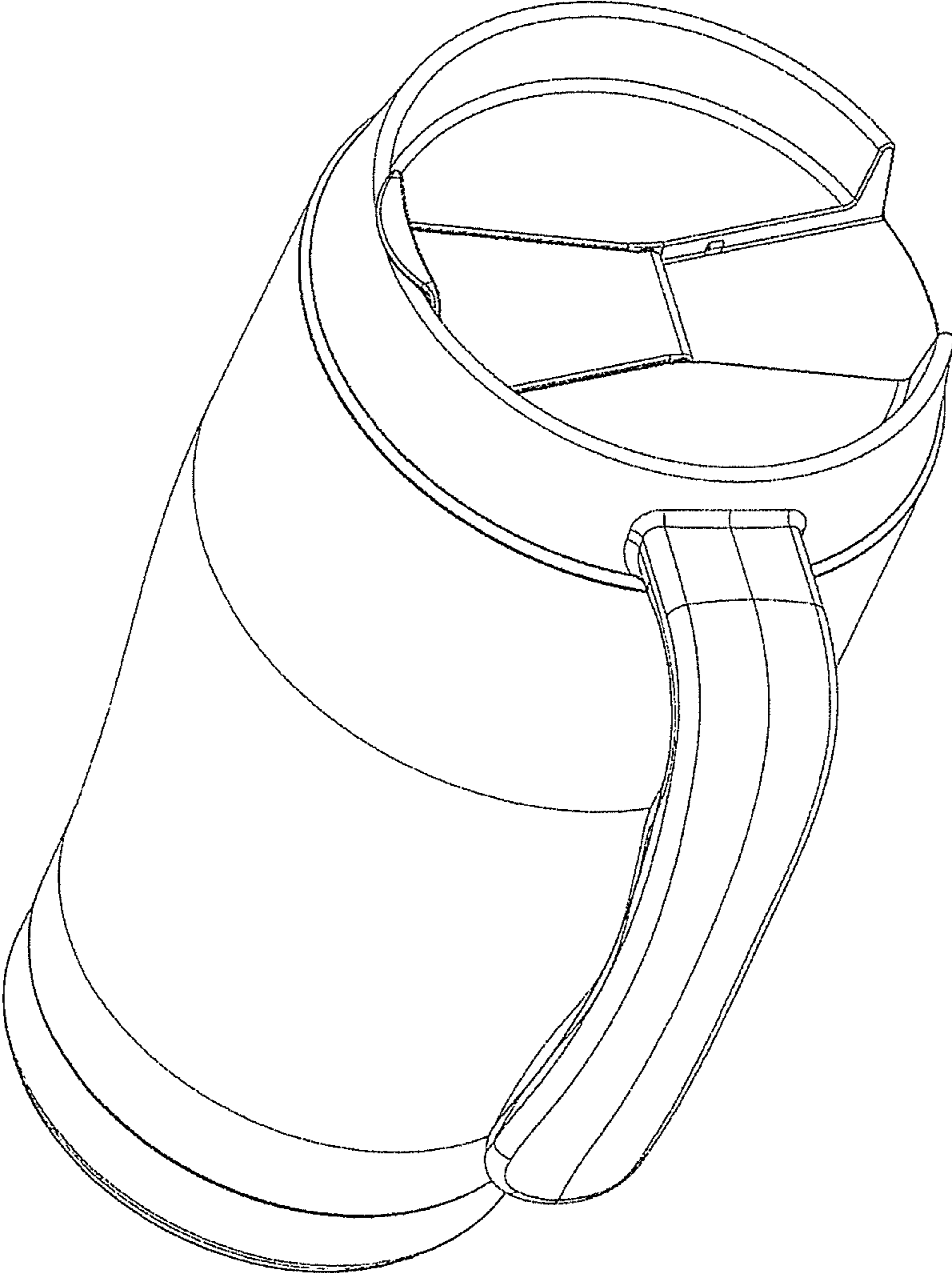


FIG. 1

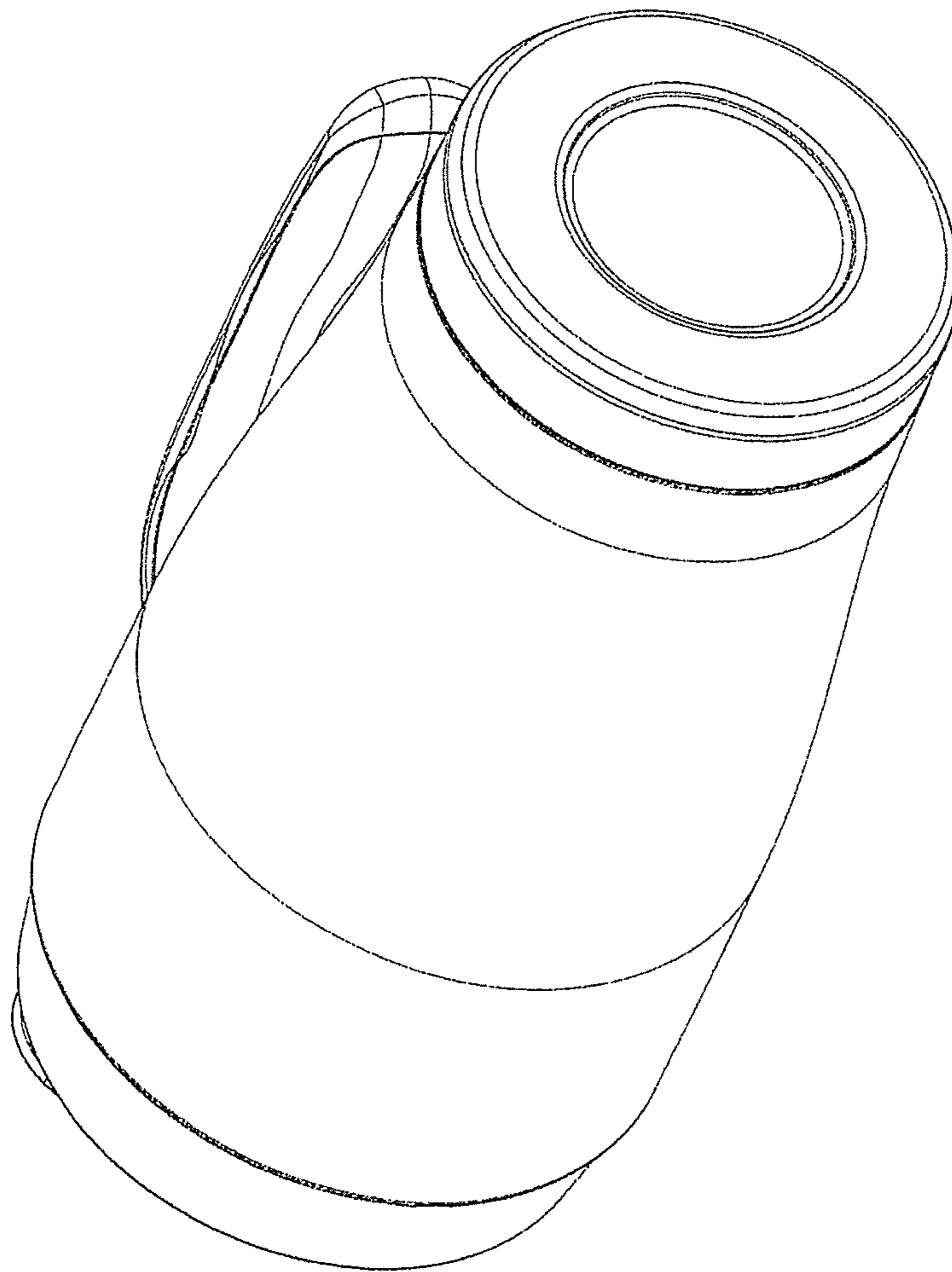


FIG. 2

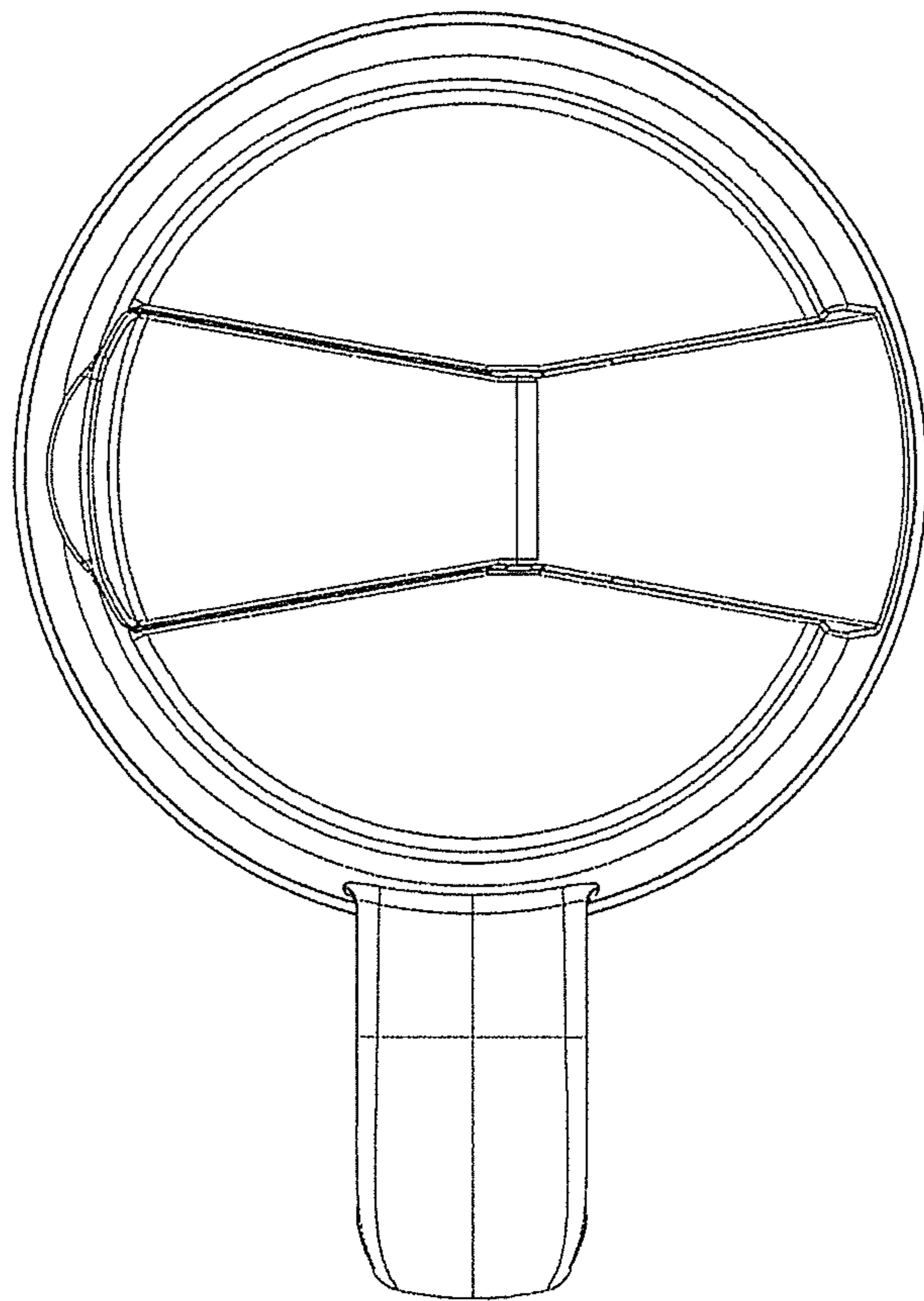


FIG. 3

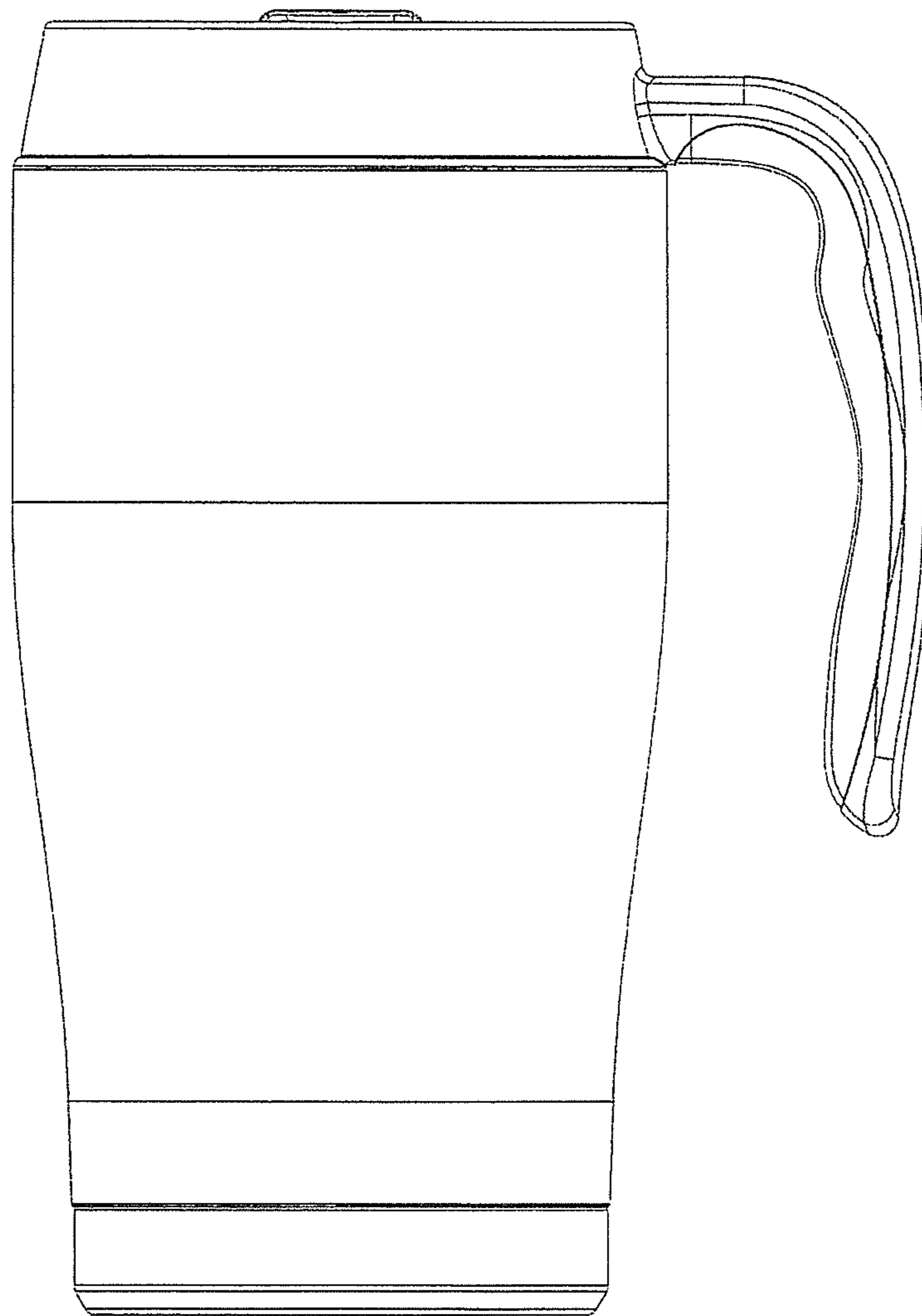


FIG. 4

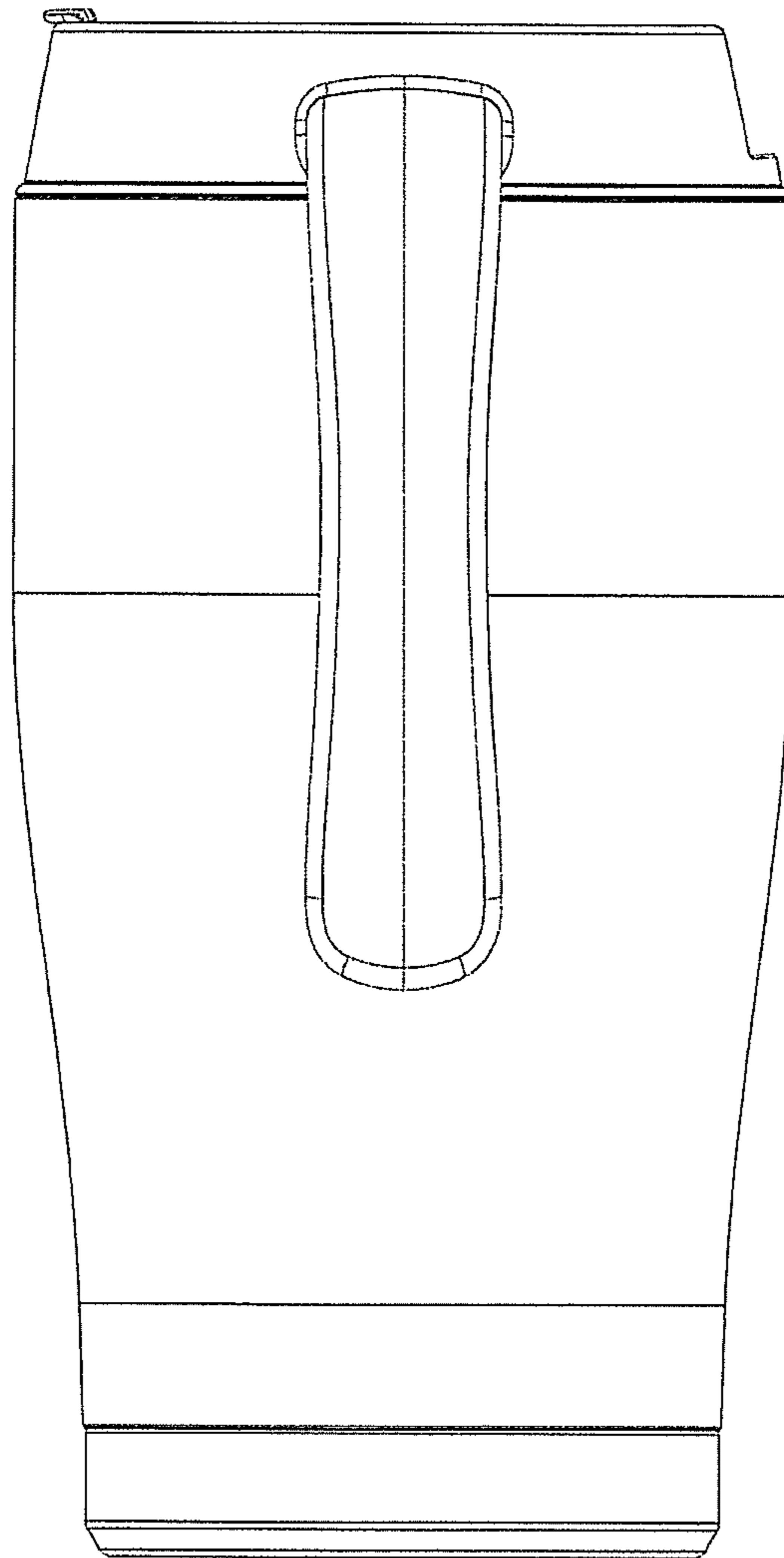


FIG. 5

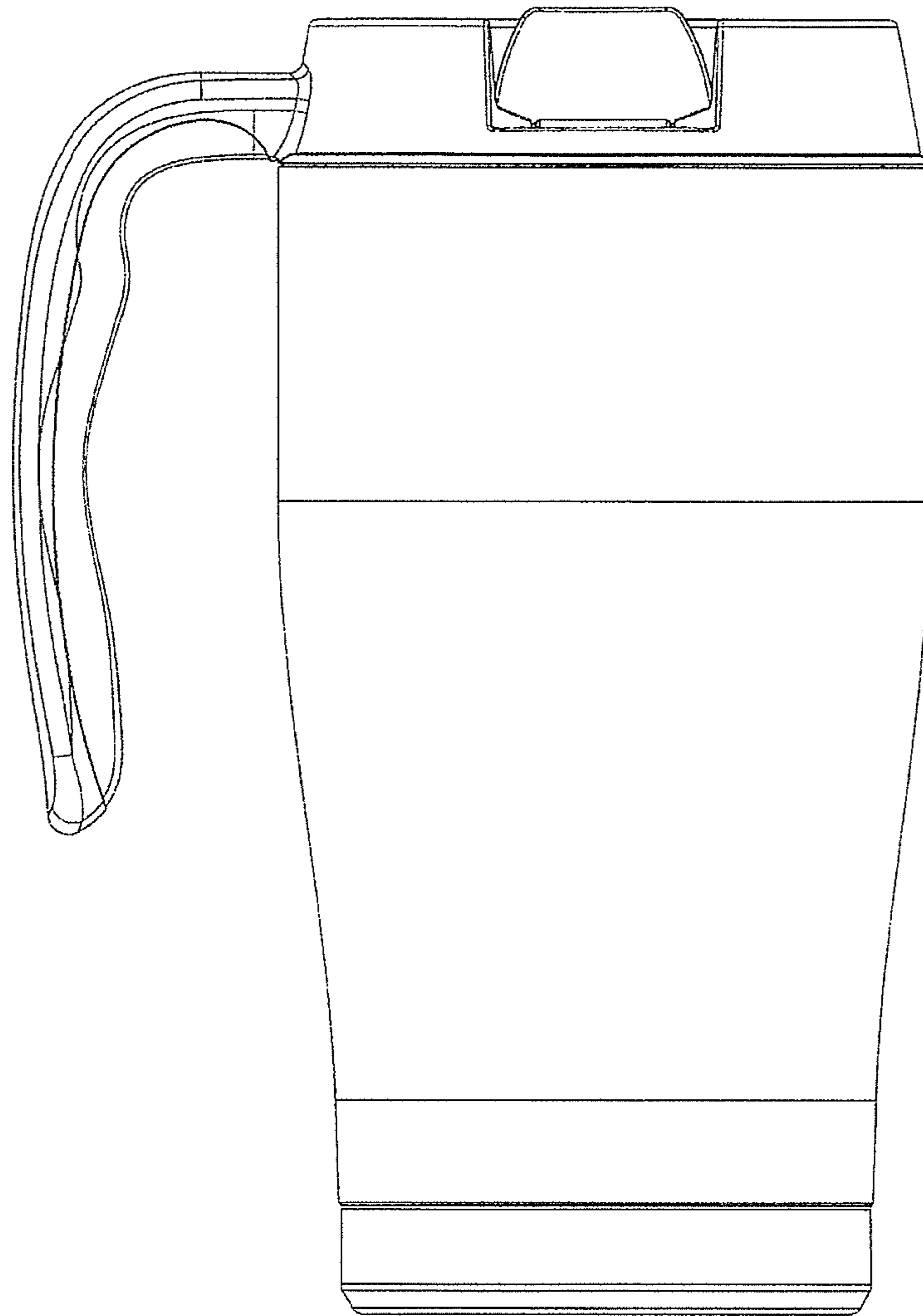


FIG. 6

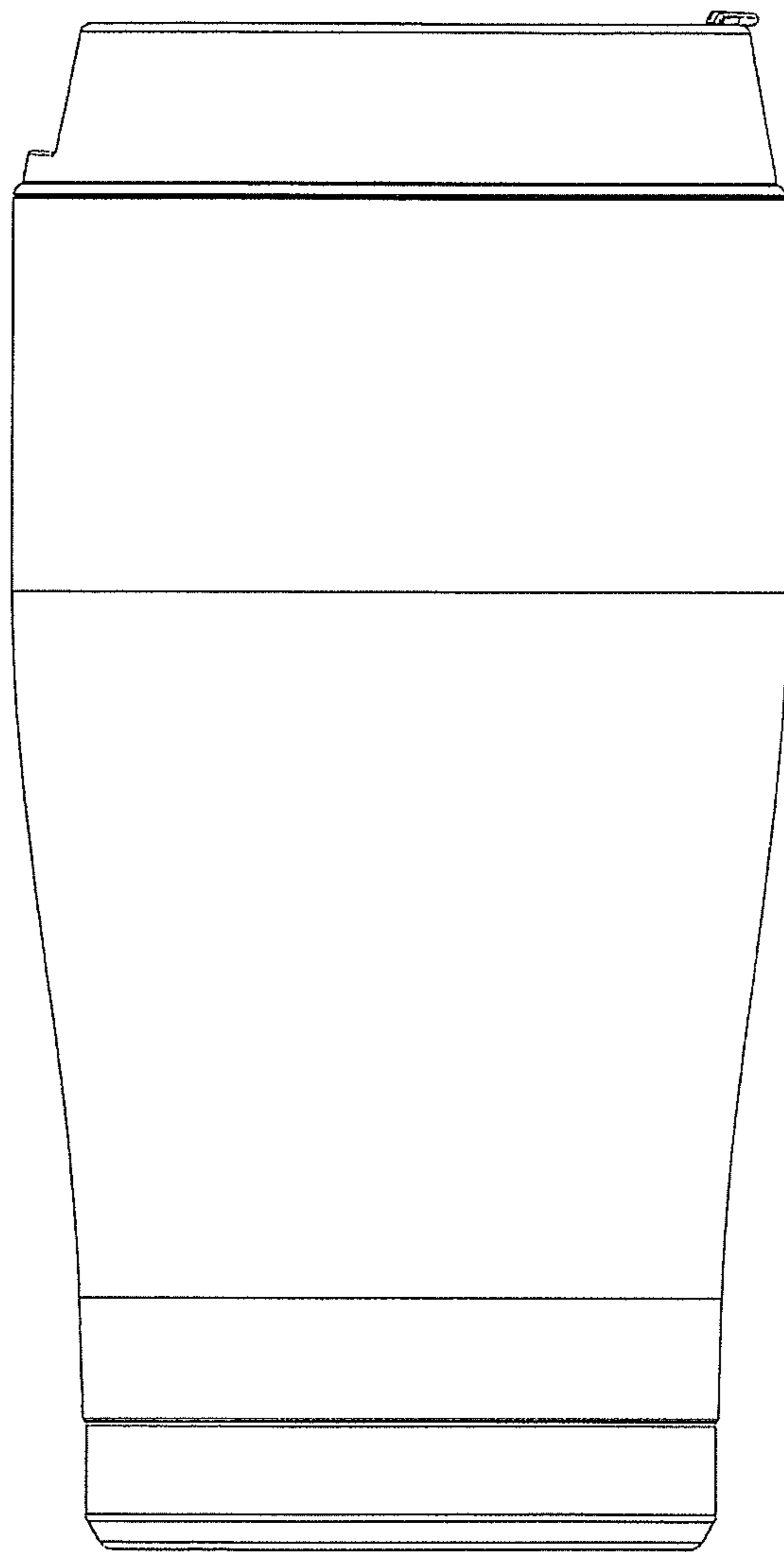


FIG. 7

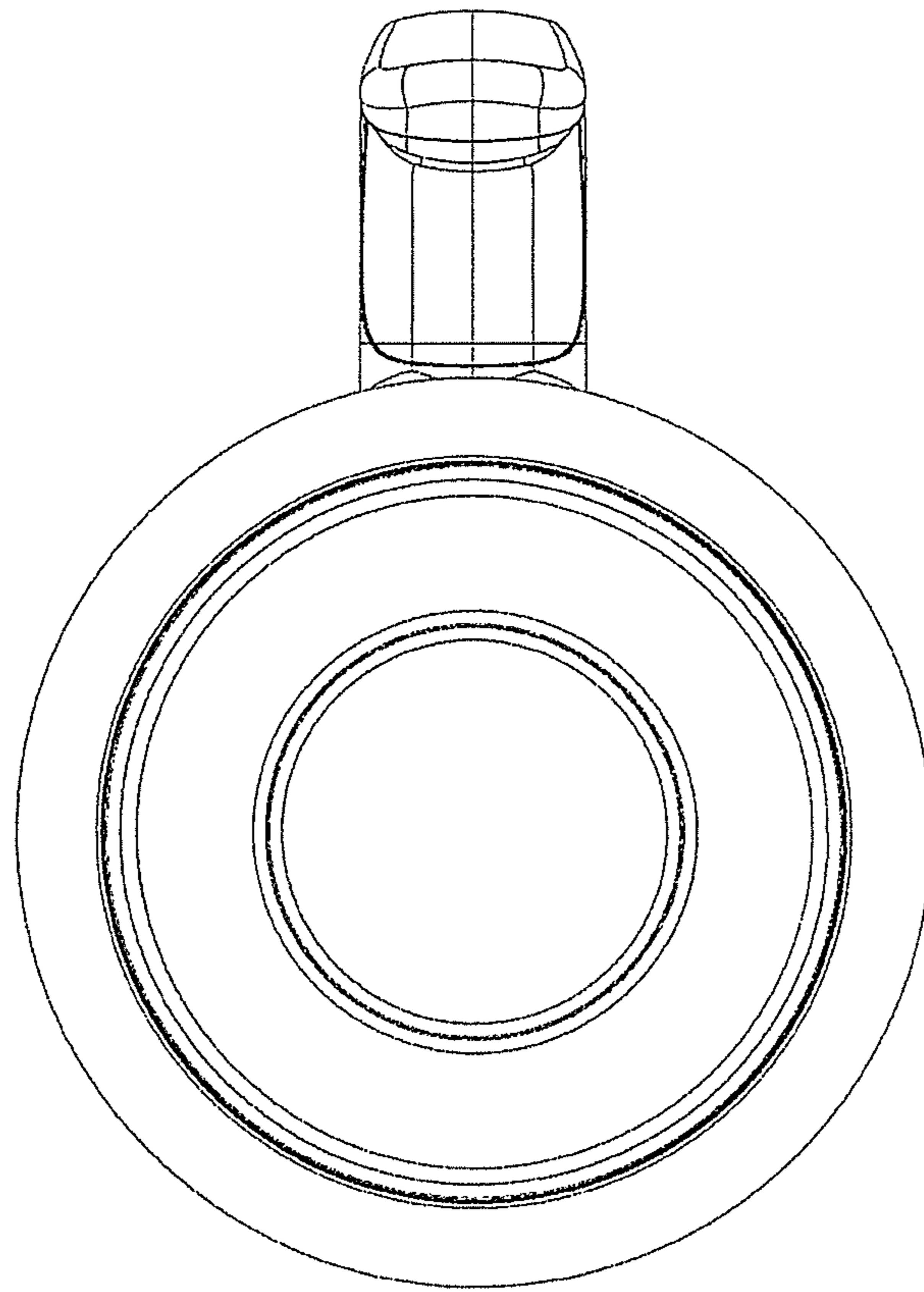


FIG. 8