



US00D712699S

(12) **United States Design Patent**
Bond et al.

(10) **Patent No.:** **US D712,699 S**
(45) **Date of Patent:** **** Sep. 9, 2014**

(54) **HEAD PIECE FOR HARD CANDY COTTON CANDY MAKER**

(75) Inventors: **Gregg Bond**, Beverly Hills, CA (US);
Edward E. Boughton, III, Ventura, CA (US)

(73) Assignee: **Nostalgia Products Group LLC**, Green Bay, WI (US)

(**) Term: **14 Years**

(21) Appl. No.: **29/415,136**

(22) Filed: **Mar. 7, 2012**

(51) **LOC (10) Cl.** **07-02**

(52) **U.S. Cl.**
USPC **D7/402**

(58) **Field of Classification Search**
USPC D7/354, 368, 386; 425/7-9; 264/8;
426/465; 173/164

See application file for complete search history.

5,498,144	A *	3/1996	Francis et al.	425/9
5,511,961	A *	4/1996	Sullivan	425/9
5,766,643	A *	6/1998	Hammon	425/9
6,284,164	B1 *	9/2001	Weiss	264/8
D465,966	S *	11/2002	Daftari	D7/368
6,585,504	B2 *	7/2003	Weiss	425/9
6,722,869	B2 *	4/2004	Todokoro	425/9
D489,505	S *	5/2004	Bond et al.	D7/368
7,300,269	B2 *	11/2007	Ryan	425/9
7,438,545	B2 *	10/2008	Koike et al.	425/9
7,479,002	B2 *	1/2009	Weiss	425/9
7,641,460	B2 *	1/2010	Cretors et al.	425/9
7,931,835	B2 *	4/2011	Ryan	264/8
8,376,064	B1 *	2/2013	Swegle et al.	173/164

* cited by examiner

Primary Examiner — T. Chase Nelson

Assistant Examiner — Mark Cavanna

(74) *Attorney, Agent, or Firm* — Blakely Sokoloff Taylor & Zafman

(57) **CLAIM**

The ornamental design for head piece for hard candy cotton candy maker, as shown and described.

DESCRIPTION

FIG. 1 is a front, side perspective view showing the head piece for hard candy cotton candy maker design.

FIG. 2 is a top plan view thereof.

FIG. 3 is a bottom plan view thereof.

FIG. 4 is a side elevation view thereof; and,

FIG. 5 is a side elevation view thereof, rotated 90° from the view shown in FIG. 4.

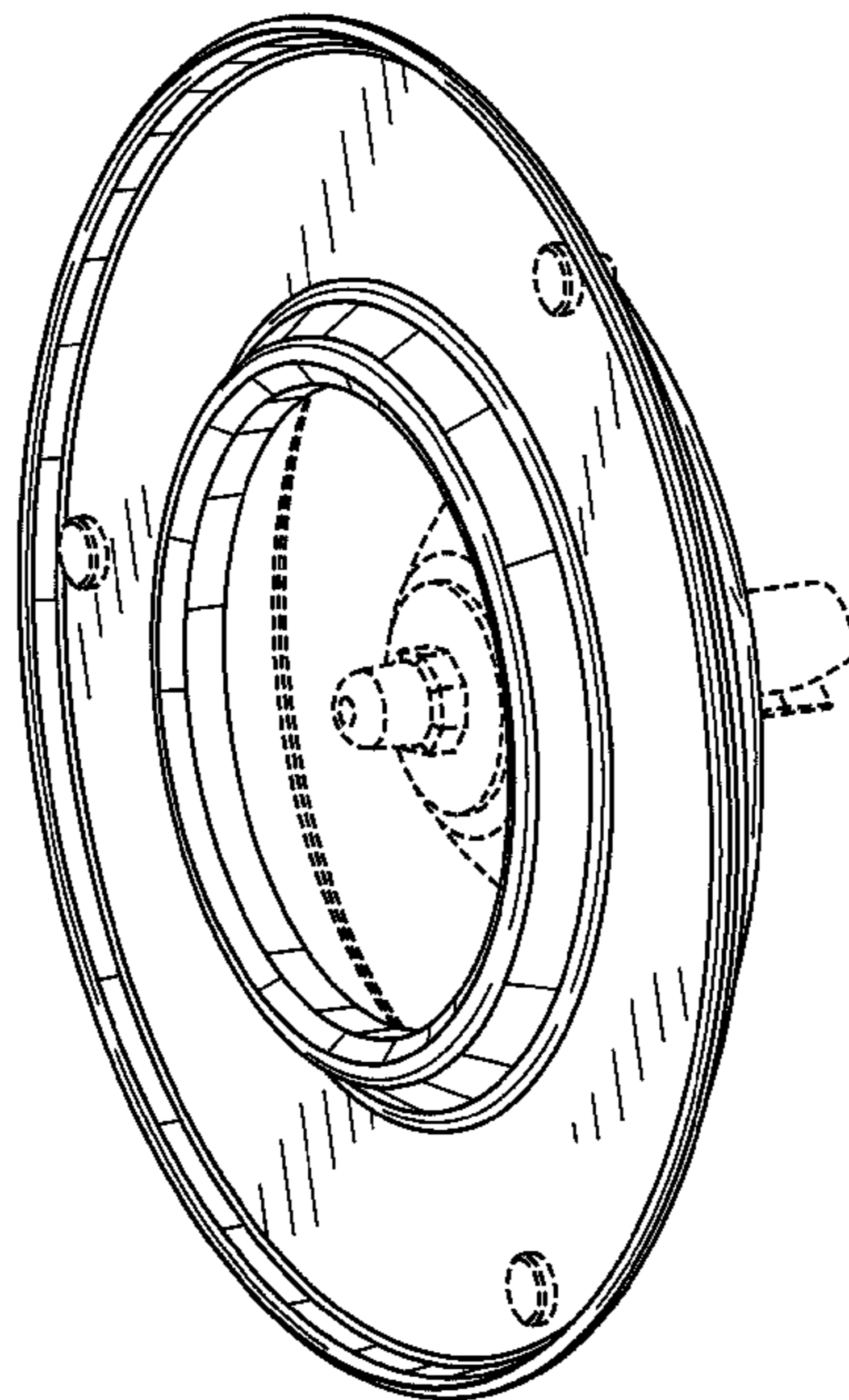
No claim is made to the portions of the design shown in dashed lines.

1 Claim, 3 Drawing Sheets

(56) **References Cited**

U.S. PATENT DOCUMENTS

3,036,532	A *	5/1962	Bowe	425/9
4,360,328	A *	11/1982	Kassabian	425/9
4,731,001	A *	3/1988	Yamamoto et al.	264/8
4,793,782	A *	12/1988	Sullivan	425/7
4,842,502	A *	6/1989	Tsumita et al.	425/9
4,846,643	A *	7/1989	Yamamoto et al.	425/7
4,872,821	A *	10/1989	Weiss	425/9
D306,389	S *	3/1990	Nasui et al.	D7/368
5,145,687	A *	9/1992	Parker	425/9
5,284,665	A *	2/1994	Molland	426/87
5,441,754	A *	8/1995	Evans, Sr.	426/465



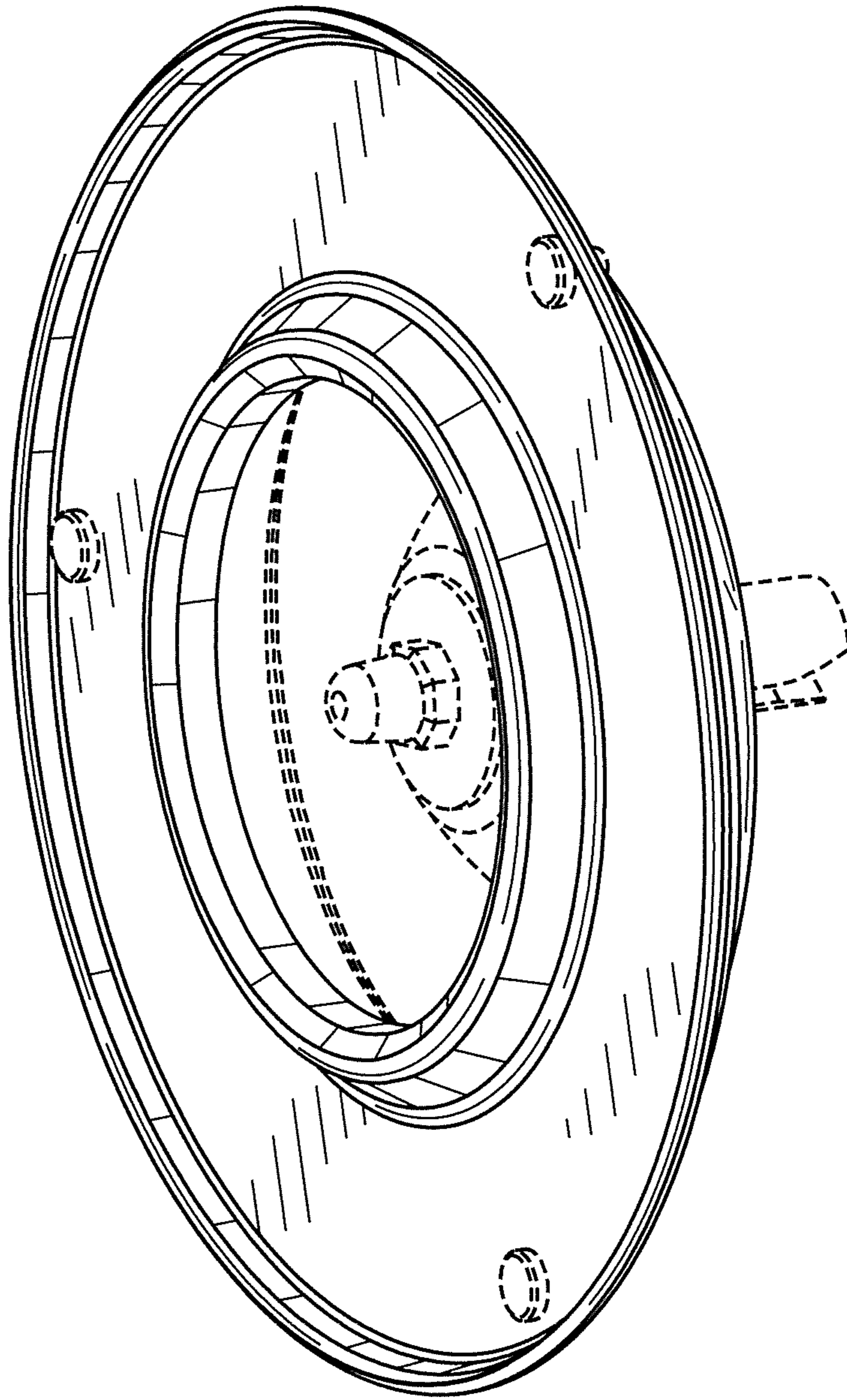


FIG. 1

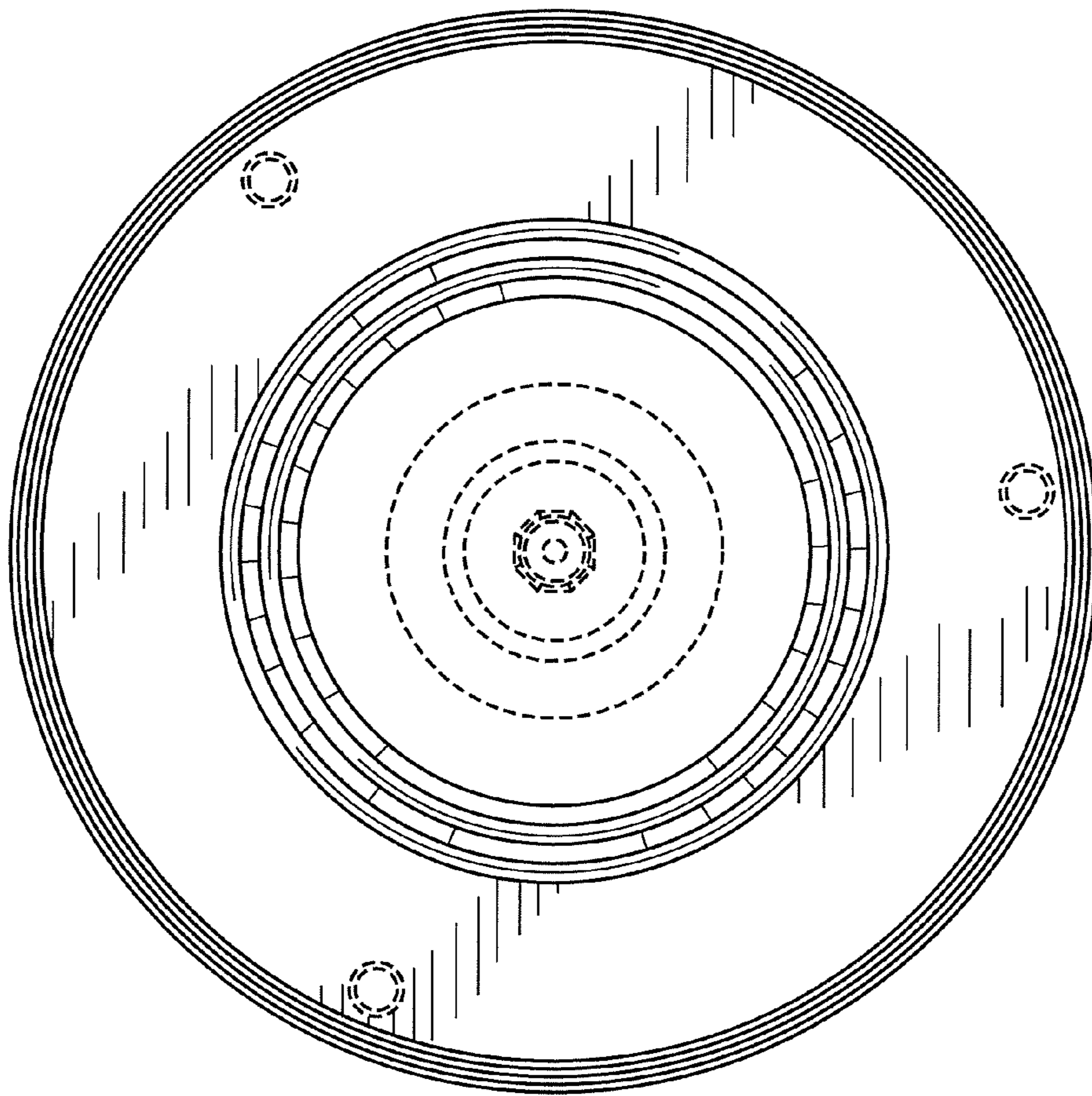


FIG. 2

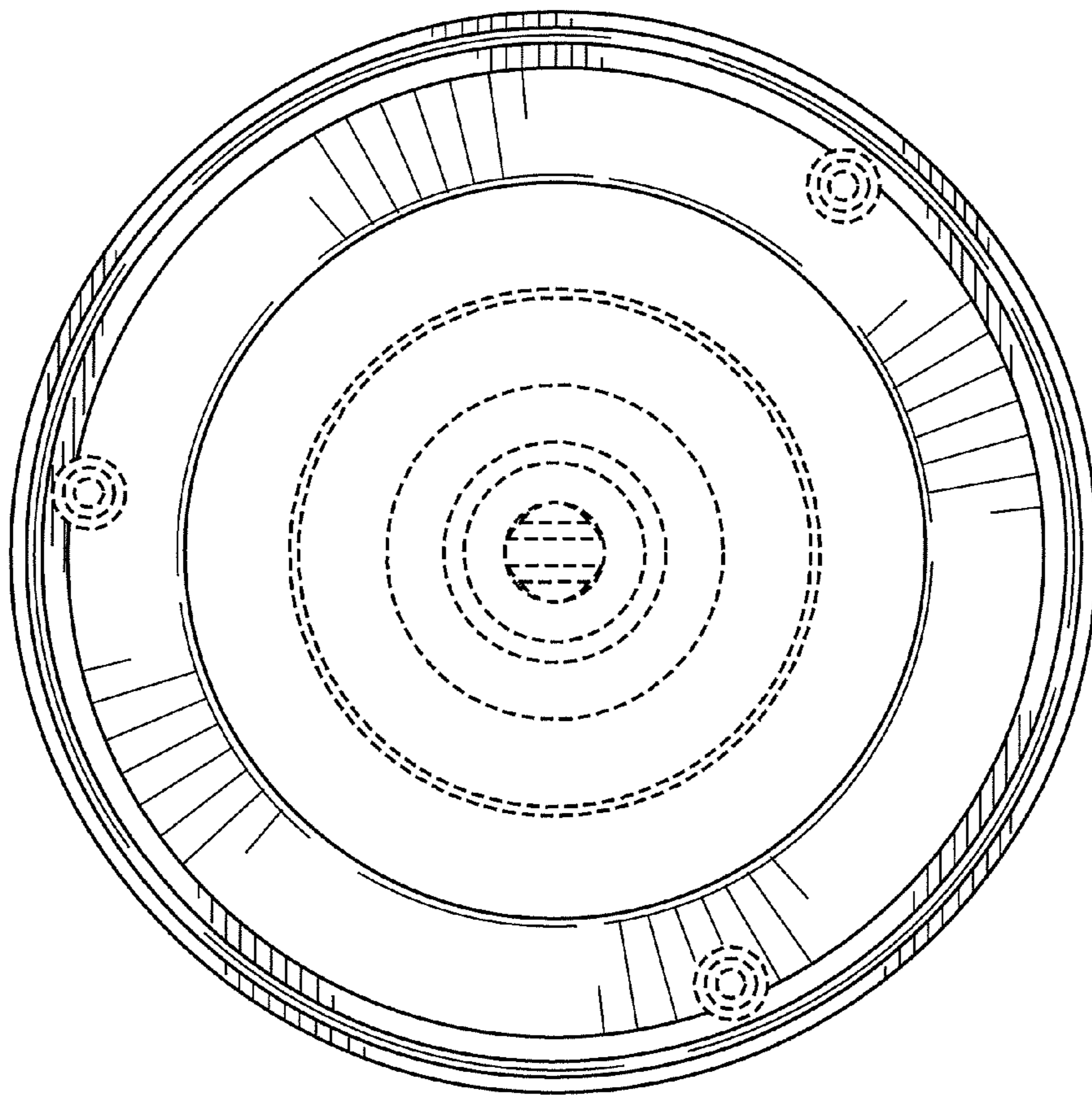


FIG. 3