



US00D712696S

(12) **United States Design Patent**
Huber et al.

(10) **Patent No.:** **US D712,696 S**
(45) **Date of Patent:** **** Sep. 9, 2014**

(54) **FOOD GRINDER**

(71) Applicant: **Edgcraft Corporation**, Avondale, PA (US)

(72) Inventors: **Thomas M. Huber**, Dover, DE (US);
Daniel D. Friel, Jr., Kennett Square, PA (US);
Samuel Weiner, Wilmington, DE (US)

(73) Assignee: **Edgcraft Corporation**, Avondale, PA (US)

(**) Term: **14 Years**

(21) Appl. No.: **29/484,225**

(22) Filed: **Mar. 7, 2014**

Related U.S. Application Data

(63) Continuation-in-part of application No. 29/479,126, filed on Jan. 13, 2014, now abandoned.

(51) **LOC (10) Cl.** **31-00**

(52) **U.S. Cl.**

USPC **D7/372**

(58) **Field of Classification Search**

CPC A01F 2015/07; A01F 2015/077; A01F 2015/0775; A23N 1/00; A23N 1/02; A47J 19/00; A47J 19/005; A47J 19/02; A47J 19/04; A47J 19/06; A47J 42/32; A47J 42/34; A47J 42/36; A47J 43/044; A47J 43/25; A47J 43/255; B01F 7/26; B01F 7/28; B01F 11/0082; B01F 13/04; B02C 13/00; B02C 13/02; B02C 13/10; B02C 18/06; B02C 18/26; B02C 18/30; B02C 18/302; B02C 18/304; B02C 13/305; B02C 25/00; B02C 2002/00; B02C 2013/00; B02C 2013/14; B02C 2013/145; B02C 2013/18; B02C 2013/1807; B02C 2013/1857; B02C 2013/1864; B30B 9/00; B30B 9/16; B30B 9/18; B30B 9/20; B30B 9/26; B30B 9/205; B30B 9/207

USPC D7/372, 376-386, 665-666, 669, D7/678-679, 693-694; 99/501-513; 100/94-95, 98 R, 144, 147; 241/33-34, 241/36-37.5, 82.1, 82.4-82.5, 92-93, 100, 241/168-169, 273.1; 366/197, 204, 206, 366/251, 258, 341, 347

See application file for complete search history.

(56) **References Cited**

U.S. PATENT DOCUMENTS

1,951,826	A *	3/1934	Foster	241/37.5
D222,209	S *	10/1971	Dykes et al.	D7/372
D236,283	S *	8/1975	McCue	D7/372
D300,400	S *	3/1989	Kelly et al.	D7/381
5,381,730	A *	1/1995	Kim	99/510
D362,597	S *	9/1995	Kim	D7/665
5,452,650	A *	9/1995	Lee	99/510
D376,736	S *	12/1996	Kim	D7/665

(Continued)

Primary Examiner — Ricky Pham

(74) *Attorney, Agent, or Firm* — Drinker Biddle & Reath LLP

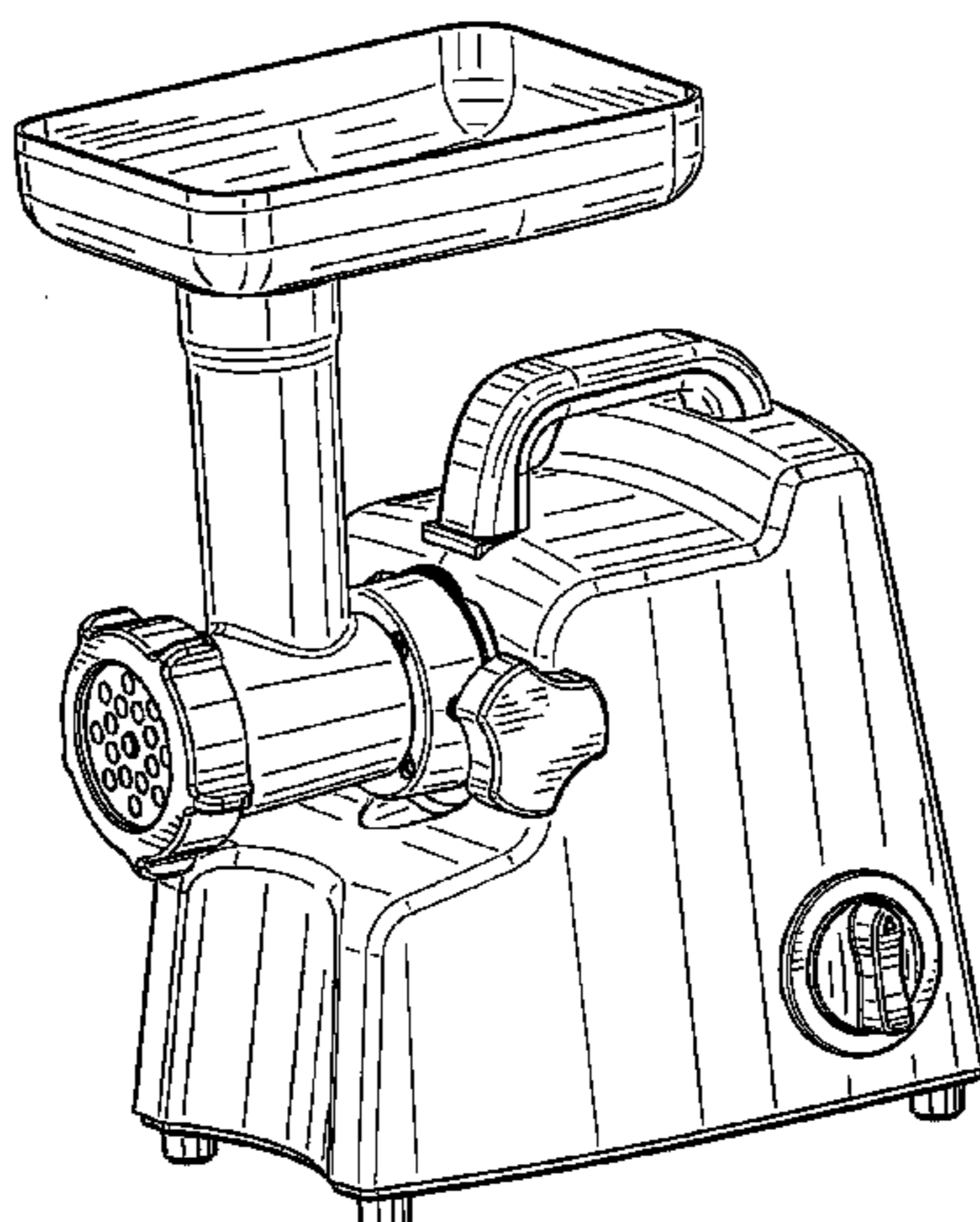
(57) **CLAIM**

The ornamental design for a food grinder, as shown and described.

DESCRIPTION

FIG. 1 is a front perspective view of a food grinder showing our new design;
FIG. 2 is a rear perspective view thereof;
FIG. 3 is a front elevational view thereof;
FIG. 4 is a left side elevational view thereof;
FIG. 5 is a right side elevational view thereof;
FIG. 6 is a top plan view thereof;
FIG. 7 is a rear elevational view thereof; and,
FIG. 8 is a bottom plan view thereof.

1 Claim, 7 Drawing Sheets



US D712,696 S

Page 2

(56)

References Cited

U.S. PATENT DOCUMENTS

D495,921 S *	9/2004	Lallemand	D7/372	
D526,539 S *	8/2006	Yip et al.	D7/665	* cited by examiner
D601,391 S *	10/2009	Chiang	D7/665	
D610,396 S *	2/2010	Chiang	D7/372	
D683,577 S *	6/2013	Cohen	D7/372	

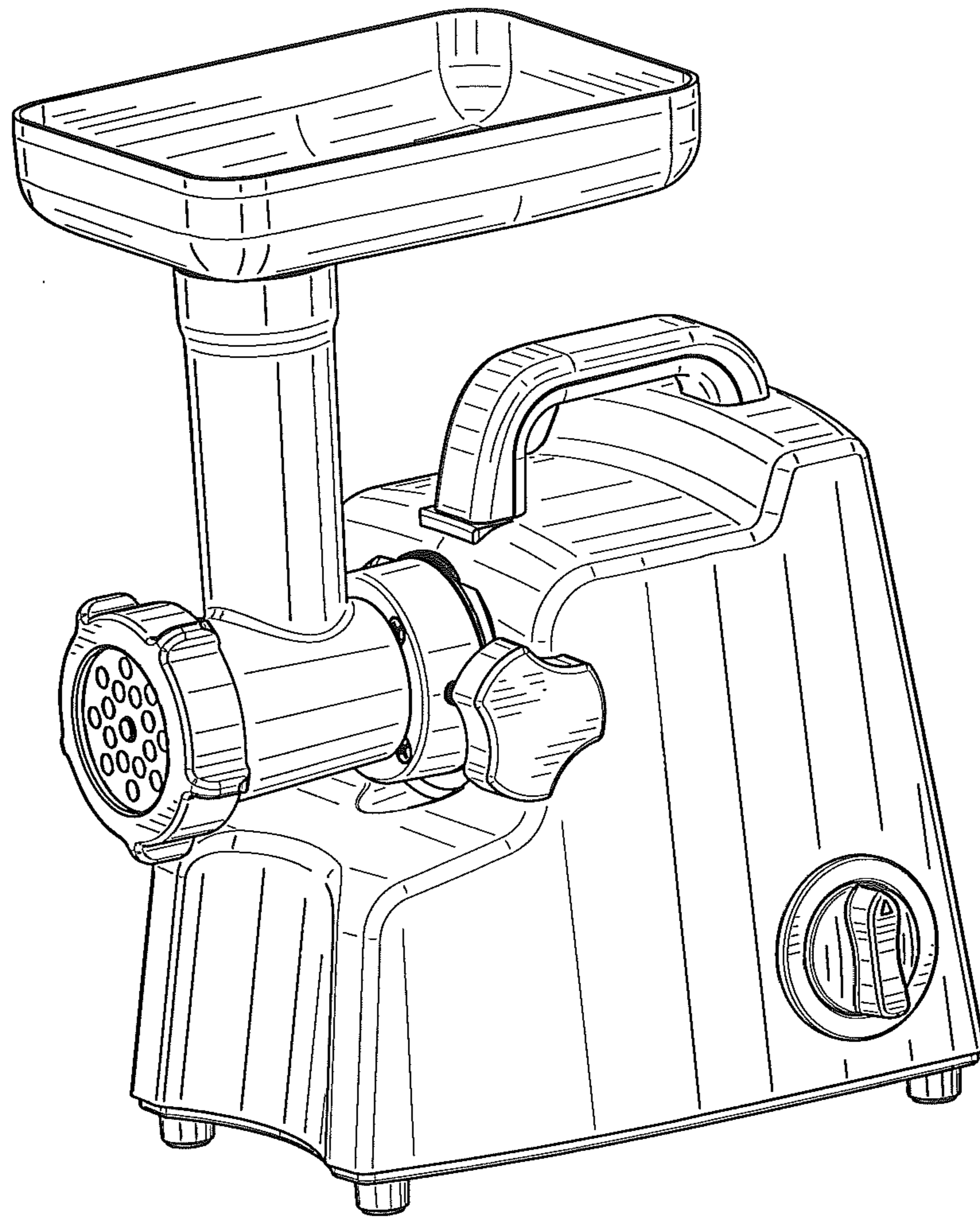


FIG. 1

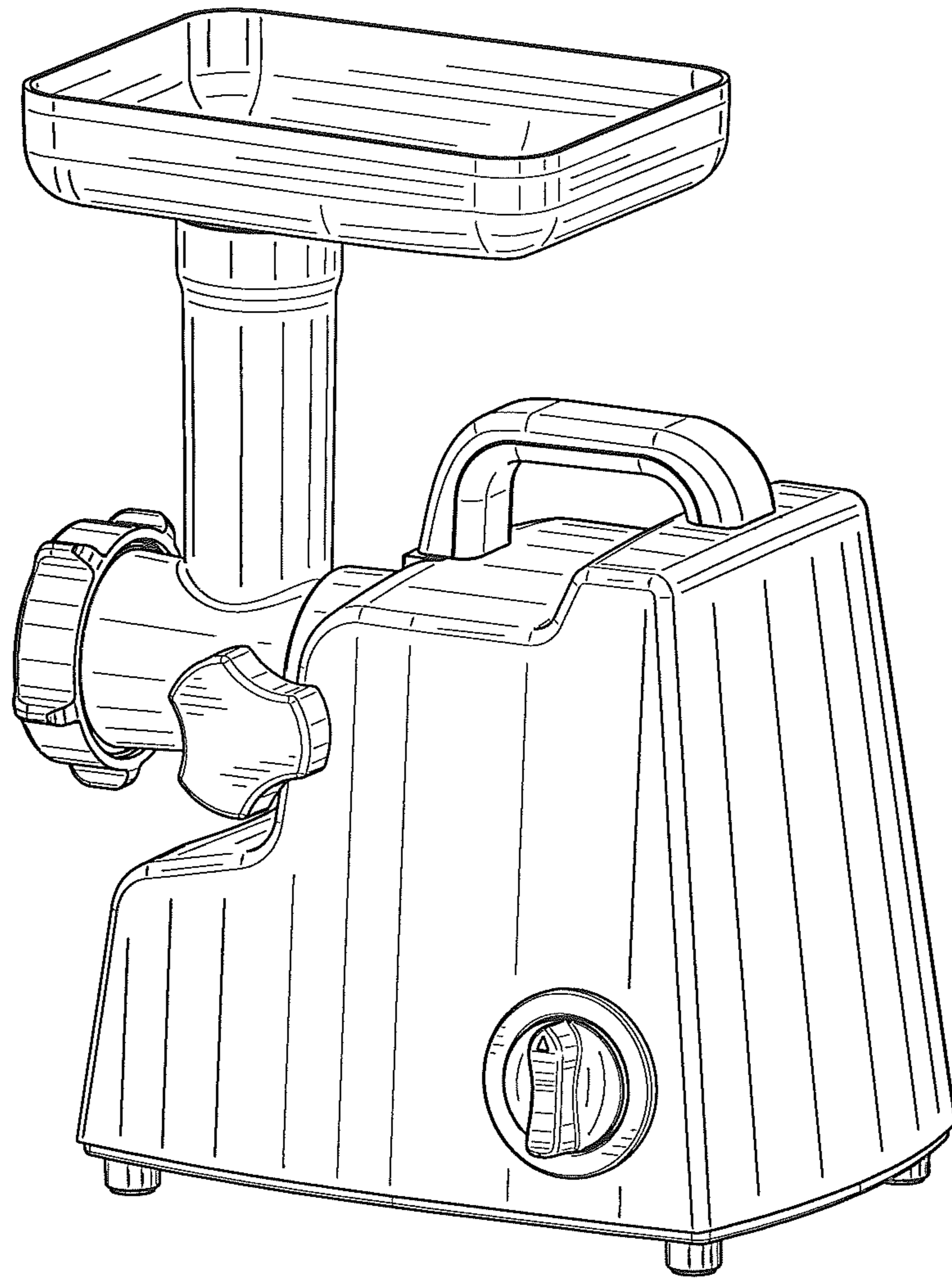


FIG. 2

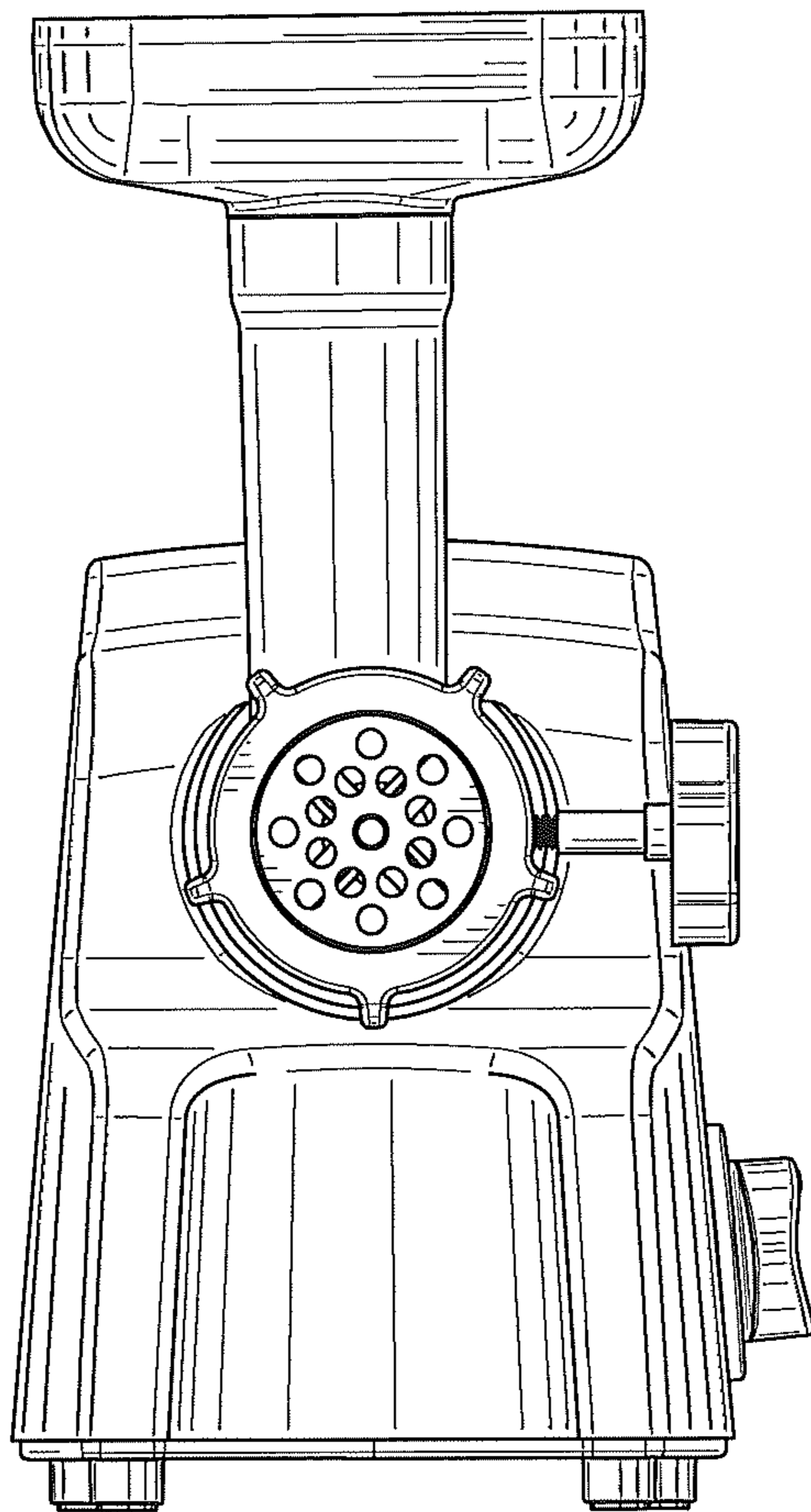


FIG. 3

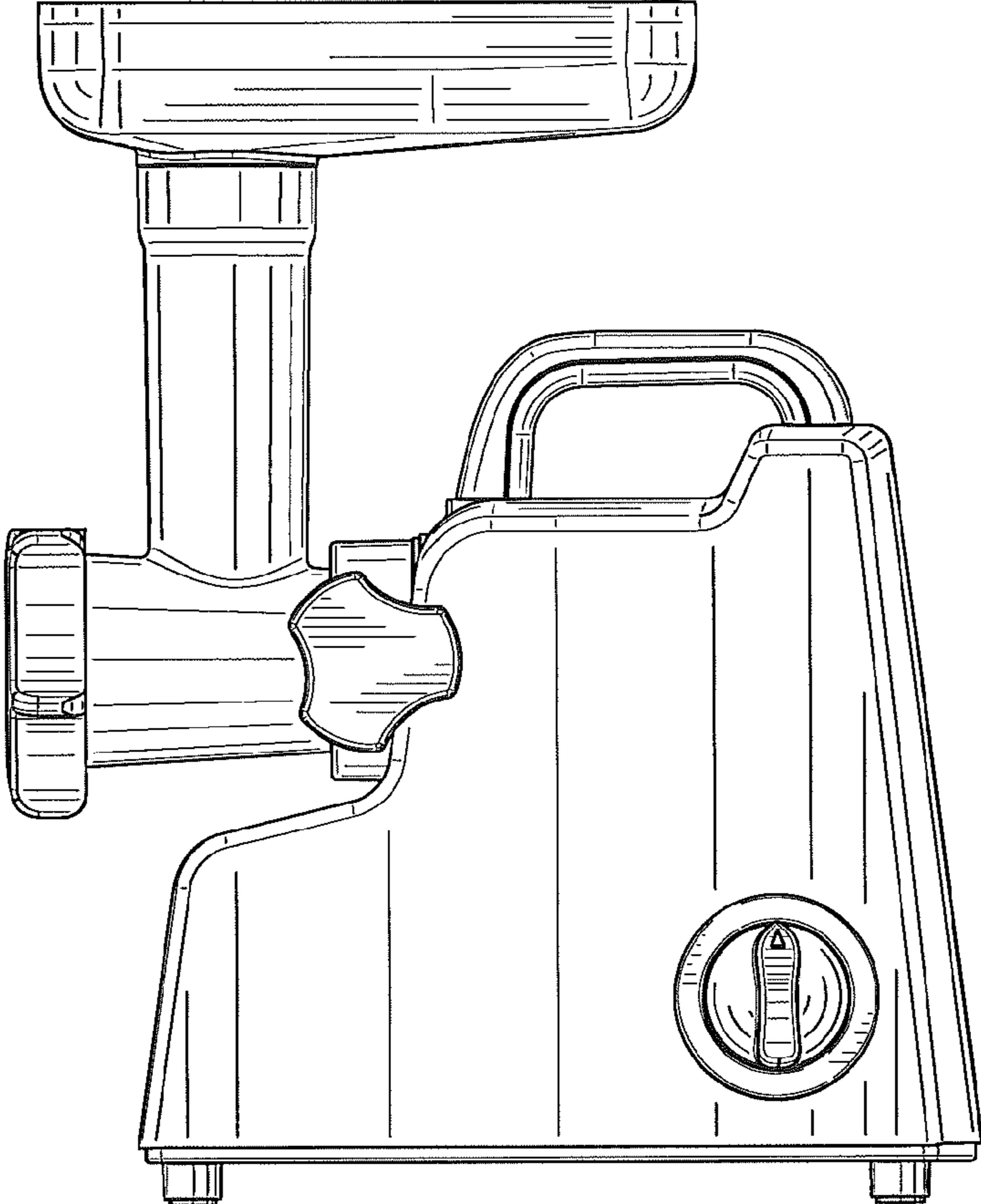


FIG. 4

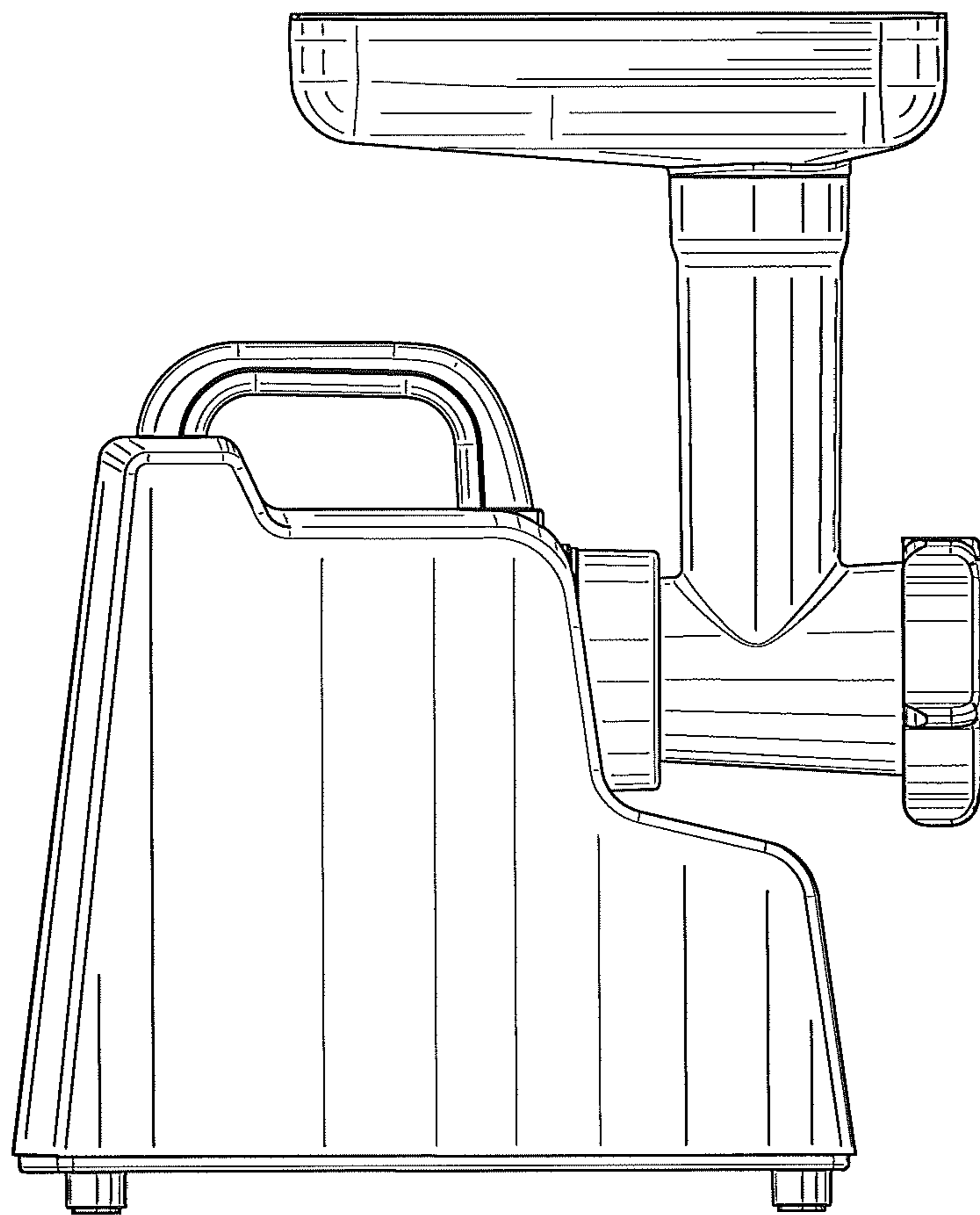


FIG. 5

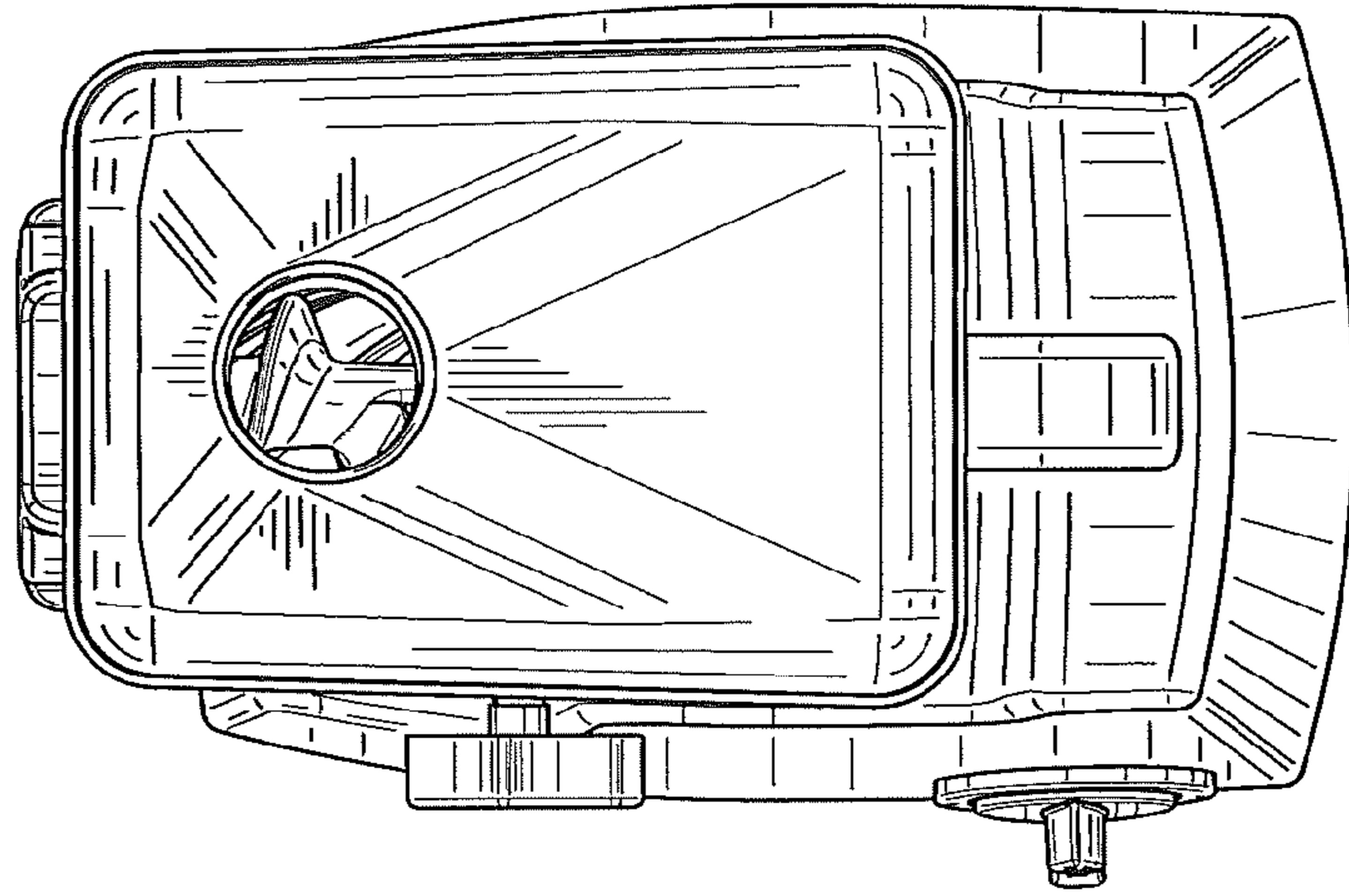


FIG. 6

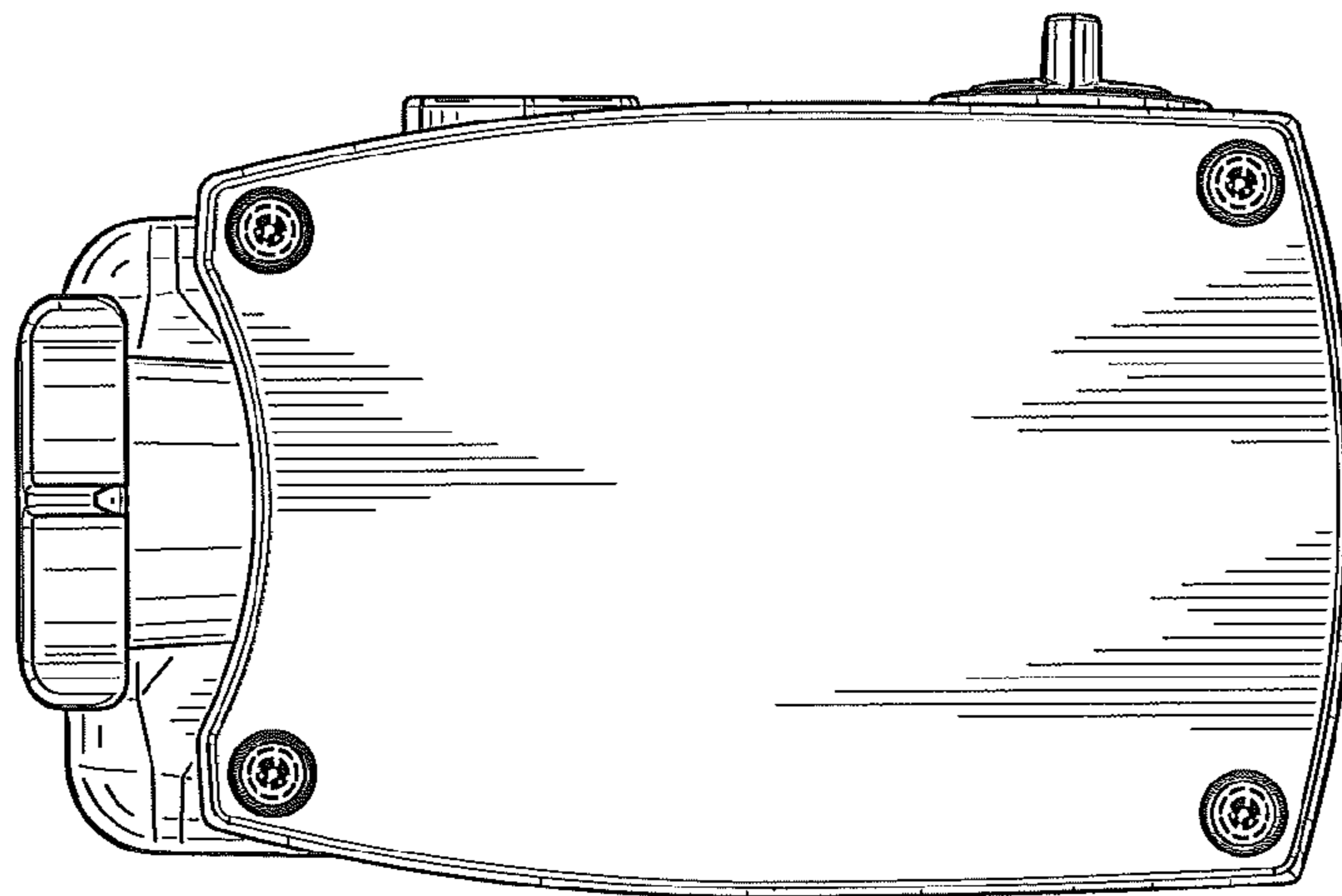


FIG. 8

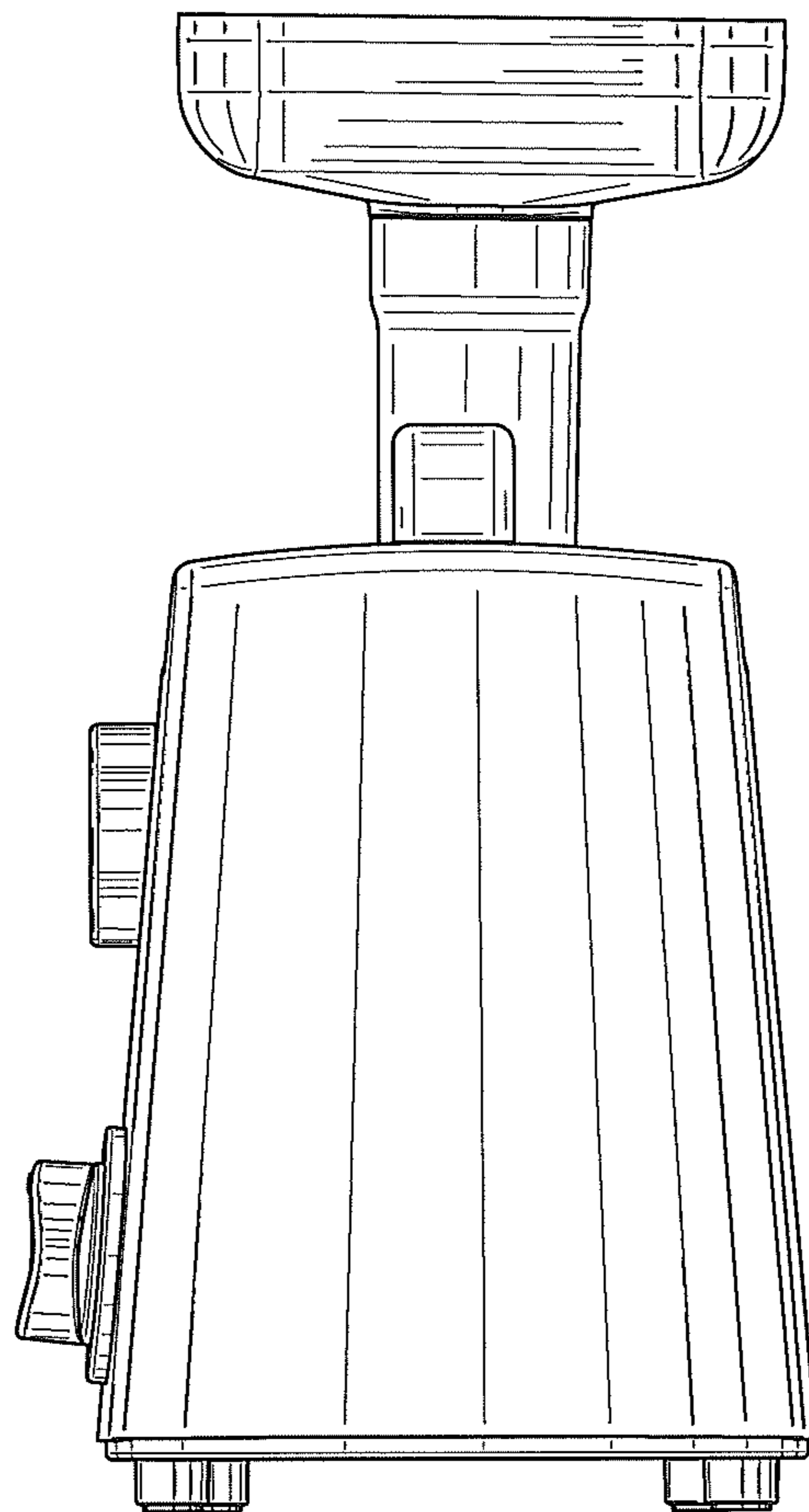


FIG. 7