



US00D712695S

(12) **United States Design Patent**  
**Horimoto**

(10) **Patent No.:** **US D712,695 S**  
(45) **Date of Patent:** **\*\* Sep. 9, 2014**

(54) **ELECTRIC RICE COOKER**  
(71) Applicant: **Zojirushi Corporation**, Osaka (JP)  
(72) Inventor: **Mitsunori Horimoto**, Osaka (JP)  
(73) Assignee: **Zojirushi Corporation** (JP)  
(\*\*) Term: **14 Years**

D632,128 S *	2/2011	Lam .....	D7/354
D637,452 S *	5/2011	Nakatani .....	D7/354
D641,586 S *	7/2011	Martin .....	D7/361
D684,806 S *	6/2013	Nakatani .....	D7/354
D684,807 S *	6/2013	Nakatani .....	D7/354
D698,593 S *	2/2014	Ishikawa .....	D7/354
D698,594 S *	2/2014	Ishikawa .....	D7/354

(21) Appl. No.: **29/472,390**  
(22) Filed: **Nov. 12, 2013**

**FOREIGN PATENT DOCUMENTS**

(30) **Foreign Application Priority Data**  
May 15, 2013 (JP) ..... 2013-010683

JP	1081162	7/2000
JP	1092928	12/2000
JP	1092929	12/2000
JP	1109837-1	12/2001
JP	1177760	6/2003
JP	1182550	8/2003
JP	1288226	12/2006
JP	1301038	5/2007
JP	1301039	5/2007

(51) **LOC (10) Cl.** ..... **07-02**  
(52) **U.S. Cl.**  
USPC ..... **D7/354**

(Continued)

(58) **Field of Classification Search**  
CPC ..... A47J 27/00; A47J 27/04; A47J 27/05;  
A47J 27/08; A47J 27/09; A47J 27/092;  
A47J 36/025; A47J 36/06; A47J 36/08;  
A47J 36/10; A47J 36/12; A47J 37/12; A47J  
37/1204; A47J 37/1209; H05B 6/02; H05B  
6/06; H05B 6/12  
USPC ..... D7/323, 354-361; 99/324-325,  
99/330-339, 403; 126/348, 384.1, 389.1,  
126/390.1; 219/401, 438, 440-441, 447.1,  
219/620-622; 220/573.1-573.5, 912  
See application file for complete search history.

**OTHER PUBLICATIONS**

Panasonic Corporation 2011 Catalog.

*Primary Examiner* — Ricky Pham

(74) *Attorney, Agent, or Firm* — SAIDMAN DesignLaw Group

(56) **References Cited**

**U.S. PATENT DOCUMENTS**

D410,815 S *	6/1999	Oger .....	D7/354
D475,570 S *	6/2003	Josancy .....	D7/354
D505,293 S *	5/2005	Jung .....	D7/354
D587,960 S *	3/2009	Kotani .....	D7/354
D604,092 S *	11/2009	Kotani .....	D7/354
D609,522 S *	2/2010	Nakatani .....	D7/354

(57) **CLAIM**

The ornamental design for an electric rice cooker, as shown and described.

**DESCRIPTION**

FIG. 1 is a perspective view of an electric rice cooker showing my new design;

FIG. 2 is a front view thereof;

FIG. 3 is a rear view thereof;

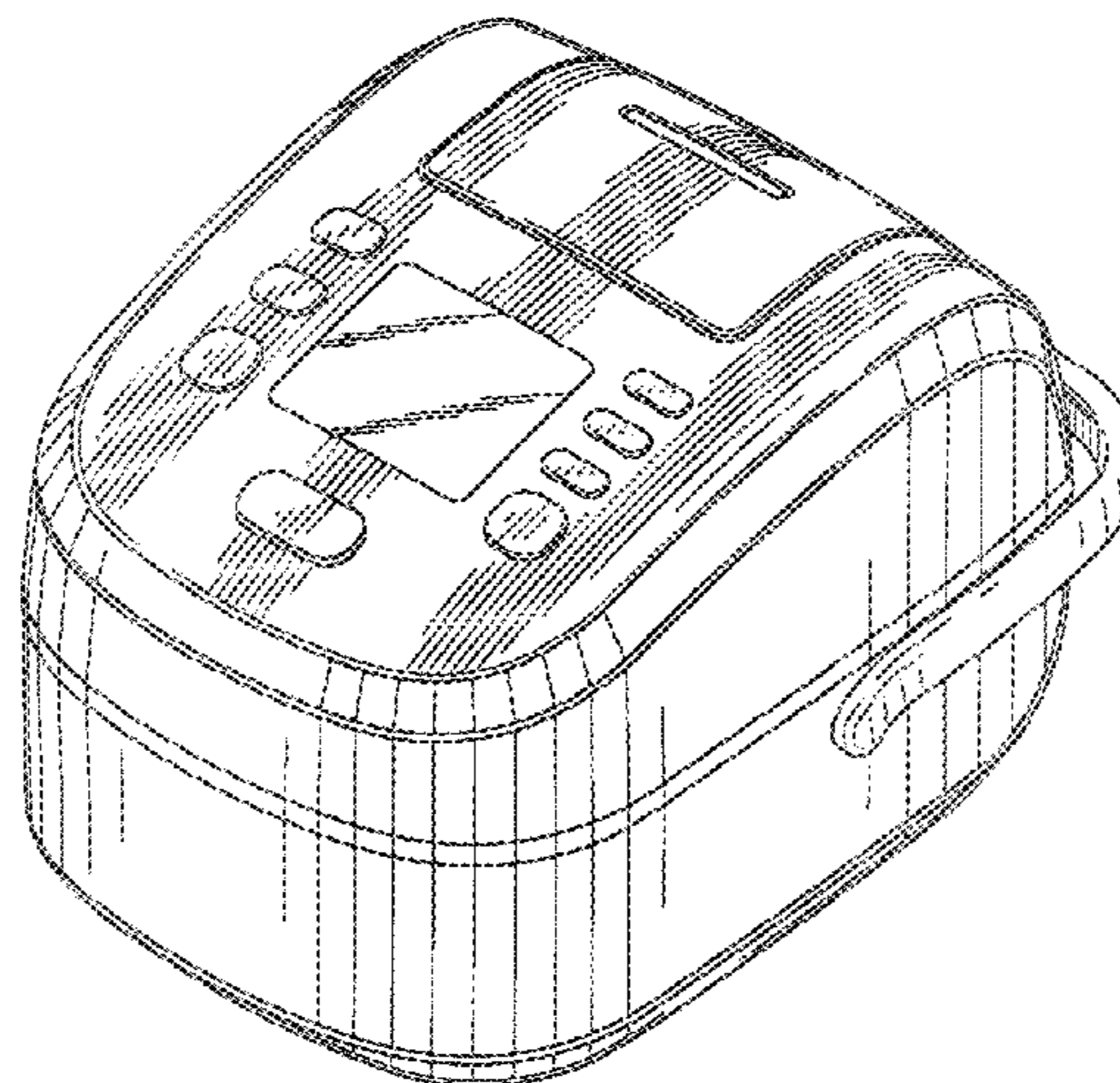
FIG. 4 is a left side view thereof;

FIG. 5 is a right side view thereof;

FIG. 6 is a top view thereof; and,

FIG. 7 is a bottom view thereof.

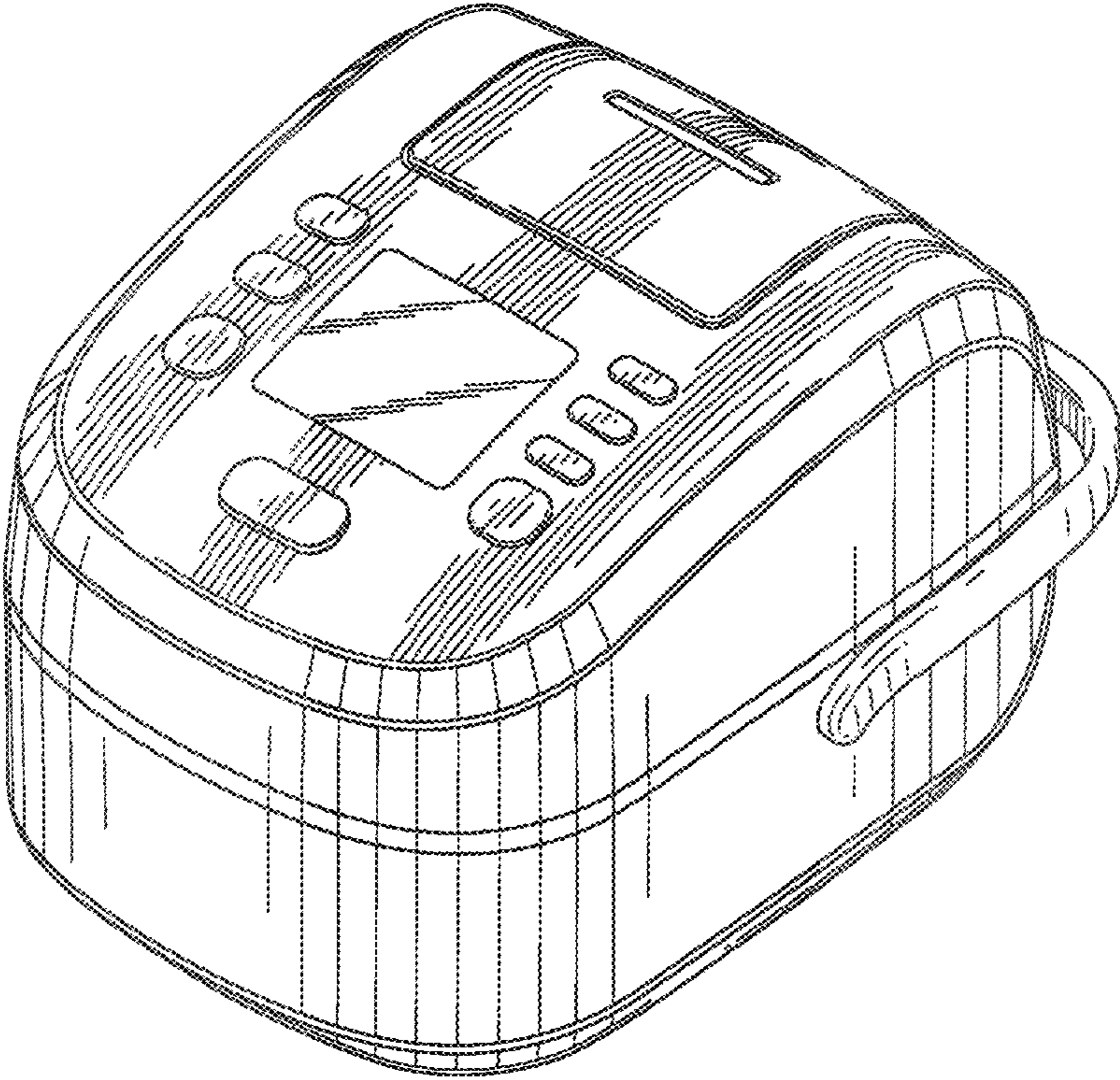
**1 Claim, 7 Drawing Sheets**



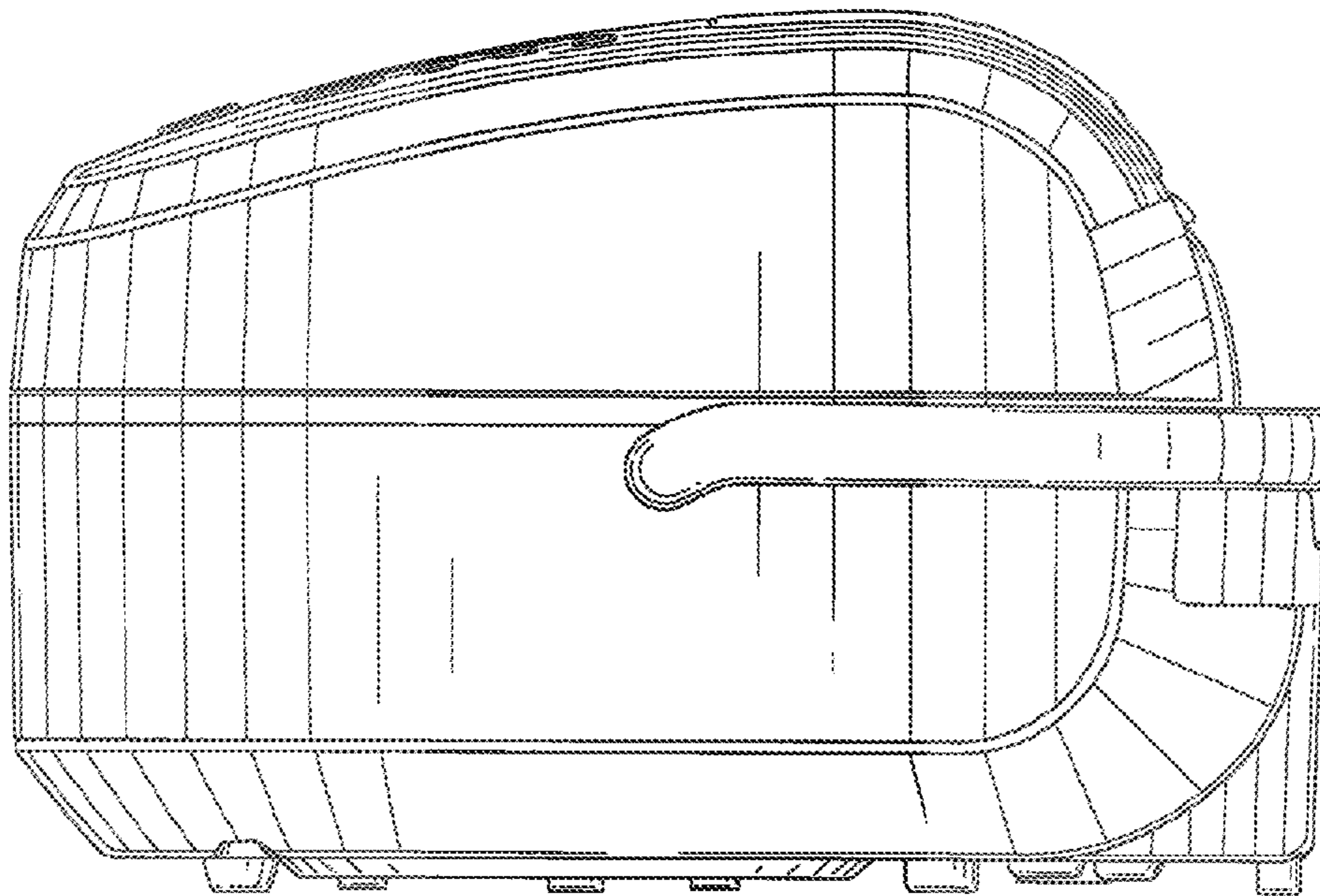
(56)	<b>References Cited</b>				
			JP	1360840	6/2009
			JP	1406638	2/2011
			JP	1406639	2/2011
	FOREIGN PATENT DOCUMENTS		JP	1435200	3/2012
JP	1320448	2/2008			
JP	1328440	4/2008			

\* cited by examiner

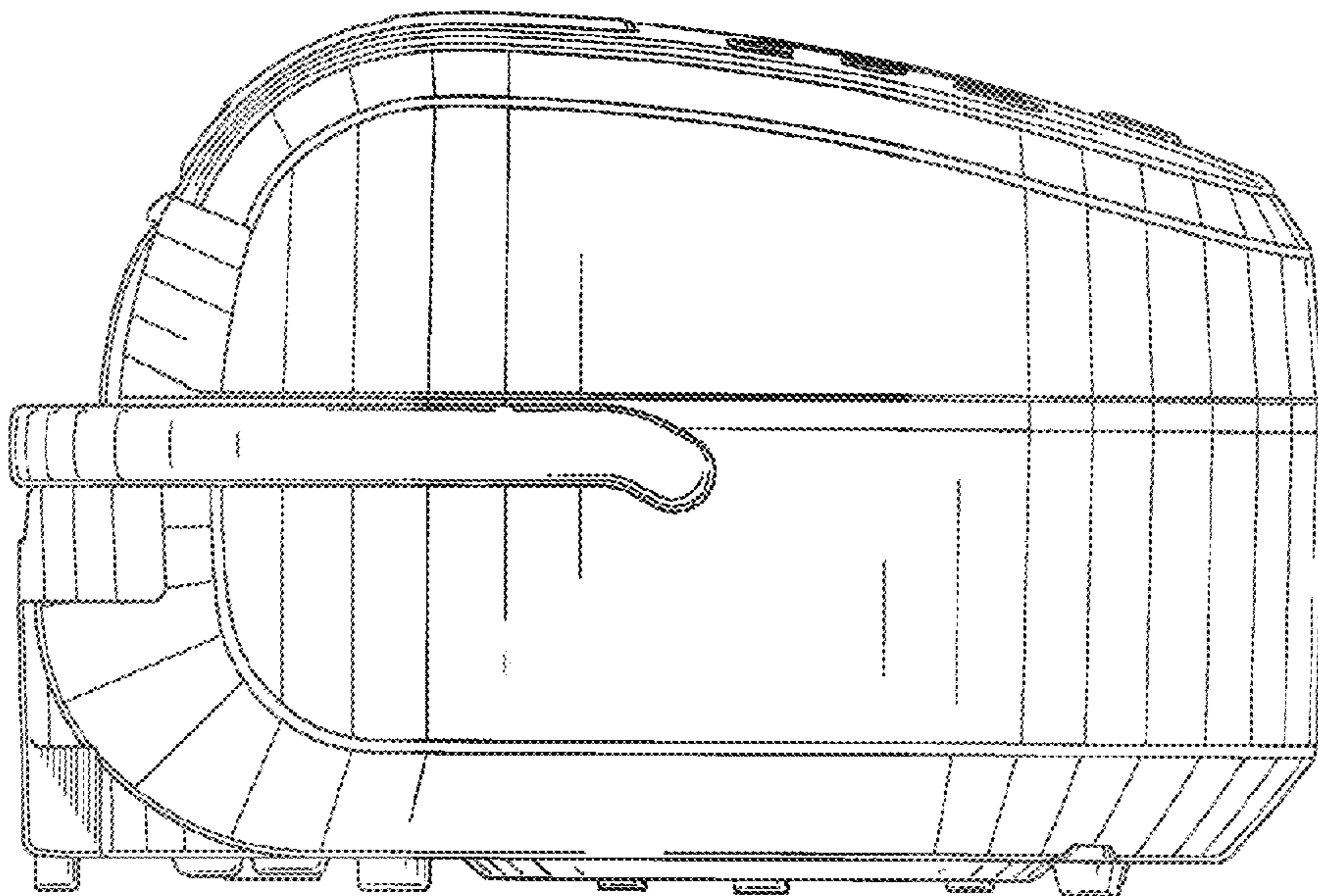
*Fig. 1*



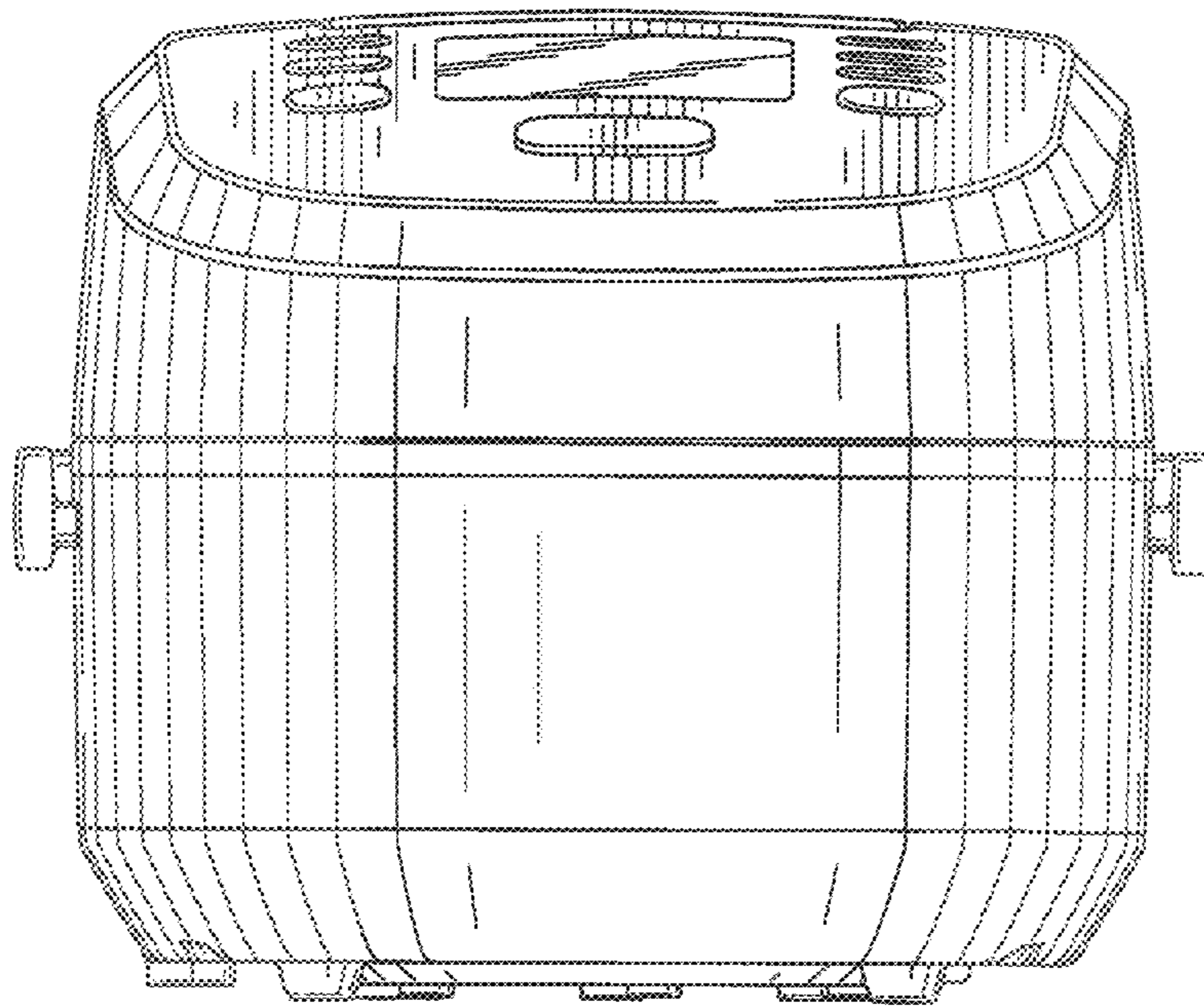
*Fig. 2*



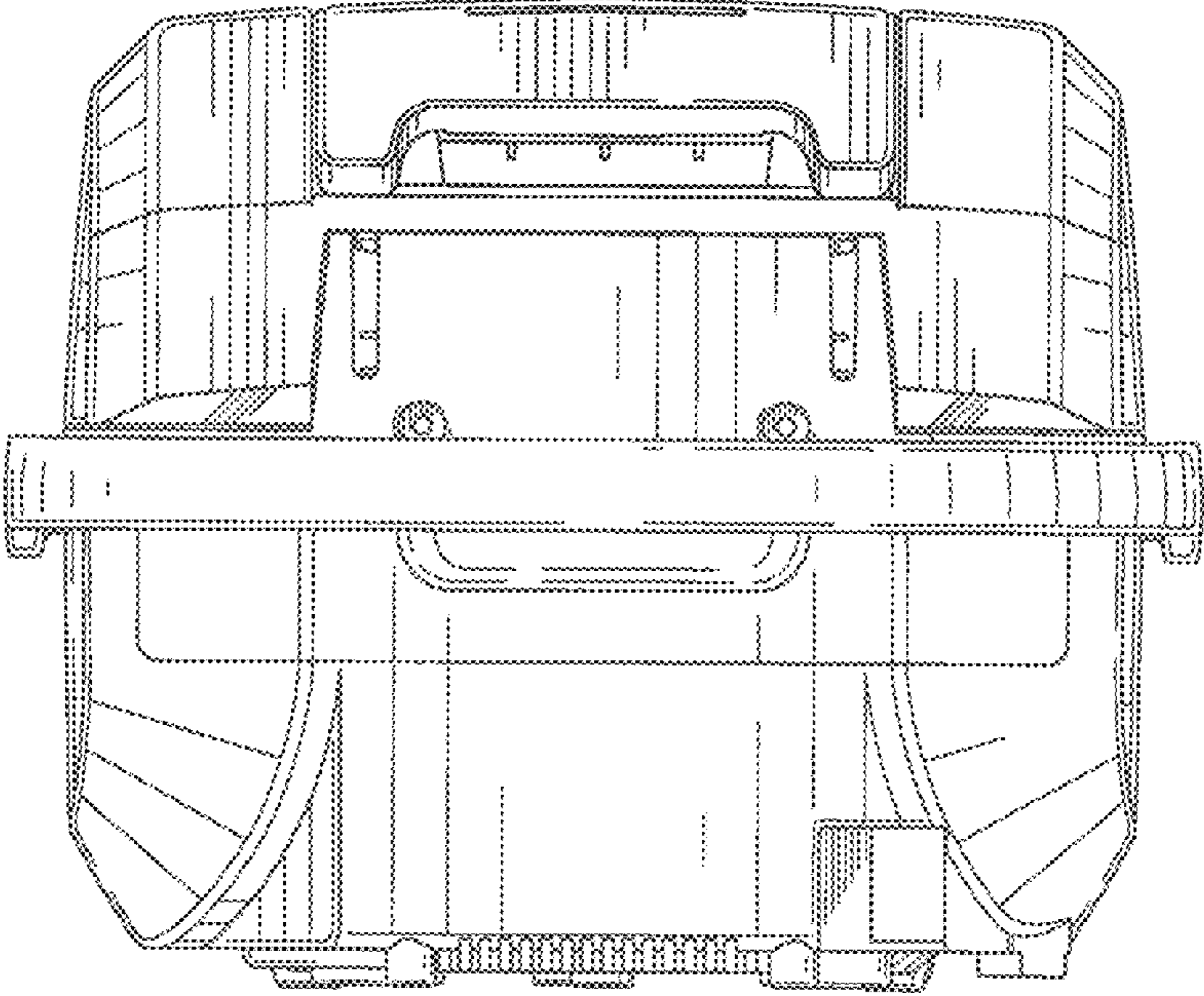
*Fig. 3*



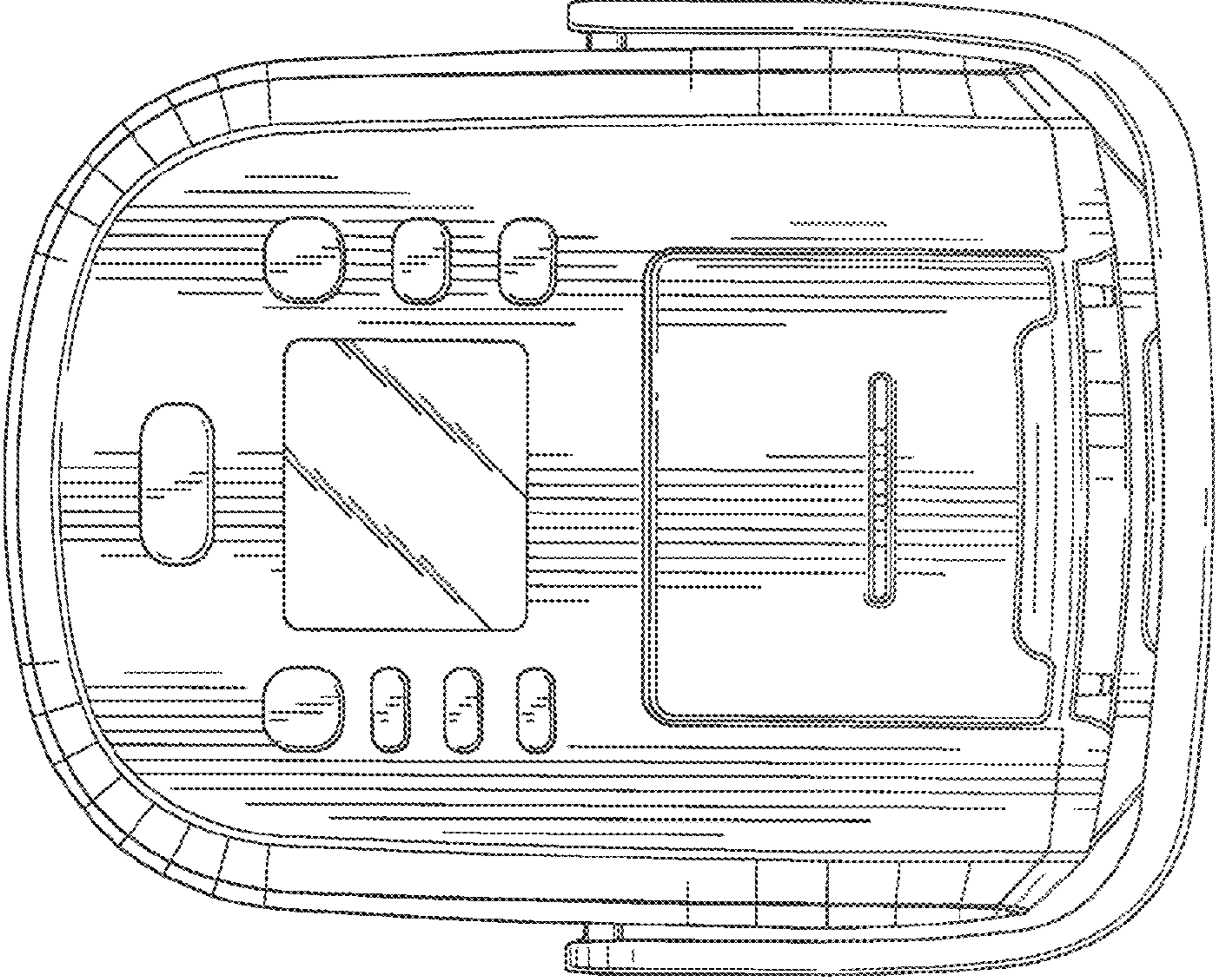
*Fig. 4*



*Fig. 5*



*Fig. 6*





*Fig. 7*

