



US00D712694S

(12) **United States Design Patent**
Kim et al.

(10) **Patent No.:** **US D712,694 S**

(45) **Date of Patent:** **** Sep. 9, 2014**

(54) **MICROWAVE OVEN**

(71) Applicant: **Samsung Electronics Co., Ltd.**,
Suwon-si (KR)

(72) Inventors: **Tai Kyung Kim**, Seoul (KR); **Jaejun Kim**, Seoul (KR)

(73) Assignee: **Samsung Electronics Co., Ltd.**,
Suwon-si (KR)

(**) Term: **14 Years**

(21) Appl. No.: **29/462,307**

(22) Filed: **Aug. 1, 2013**

(30) **Foreign Application Priority Data**

Feb. 5, 2013 (KR) 30-2013-6343

(51) **LOC (10) Cl.** **07-02**

(52) **U.S. Cl.**
USPC **D7/351**

(58) **Field of Classification Search**
USPC D7/350.1, 350.3, 350.4, 351, 402, 405,
D7/406; 219/756-758; 126/19 M, 21 A,
126/275 E

See application file for complete search history.

(56) **References Cited**

U.S. PATENT DOCUMENTS

D370,824 S * 6/1996 Kim D7/351
D437,179 S * 2/2001 Ozaki et al. D7/351

D452,410 S * 12/2001 Ichimura D7/351
D455,932 S * 4/2002 Noda et al. D7/351
D477,964 S * 8/2003 Kanza D7/351
D478,465 S * 8/2003 Kanza D7/351
D522,800 S * 6/2006 Lee et al. D7/351
D535,141 S * 1/2007 Lee et al. D7/351
D535,516 S * 1/2007 Lee et al. D7/351
D540,108 S * 4/2007 Kim D7/351
D586,173 S * 2/2009 Kim D7/351

* cited by examiner

Primary Examiner — Ruth McInroy

(74) *Attorney, Agent, or Firm* — NSIP Law

(57) **CLAIM**

The ornamental design for a microwave oven, as shown and described.

DESCRIPTION

FIG. 1 is a front perspective view of a microwave oven, showing our new design;
FIG. 2 is a front view thereof;
FIG. 3 is a rear view thereof;
FIG. 4 is a left-side view thereof;
FIG. 5 is a right-side view thereof;
FIG. 6 is a top view thereof; and,
FIG. 7 is a bottom view thereof.

The broken lines are for illustrative purposes only and form no part of the claimed design.

1 Claim, 7 Drawing Sheets

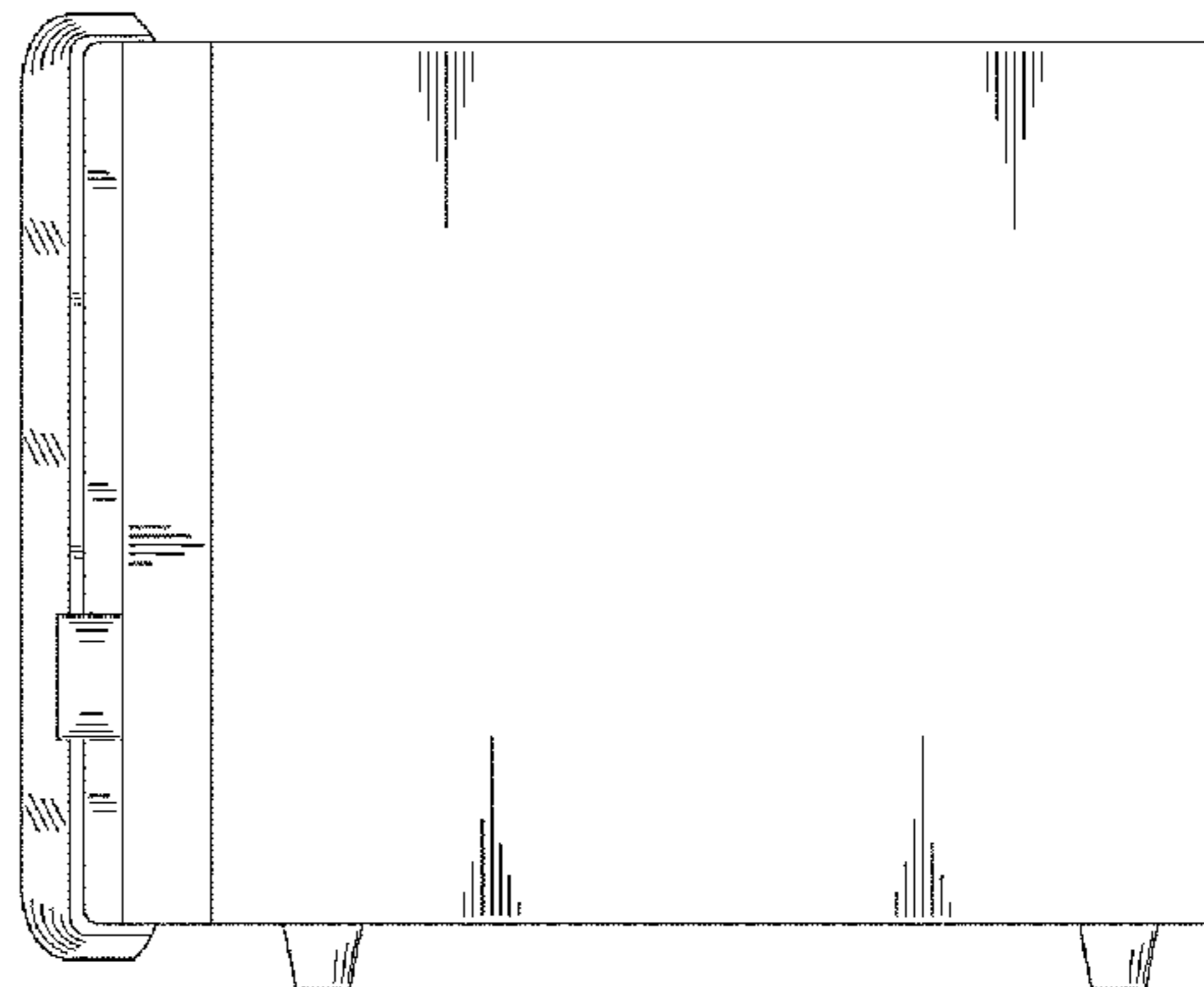
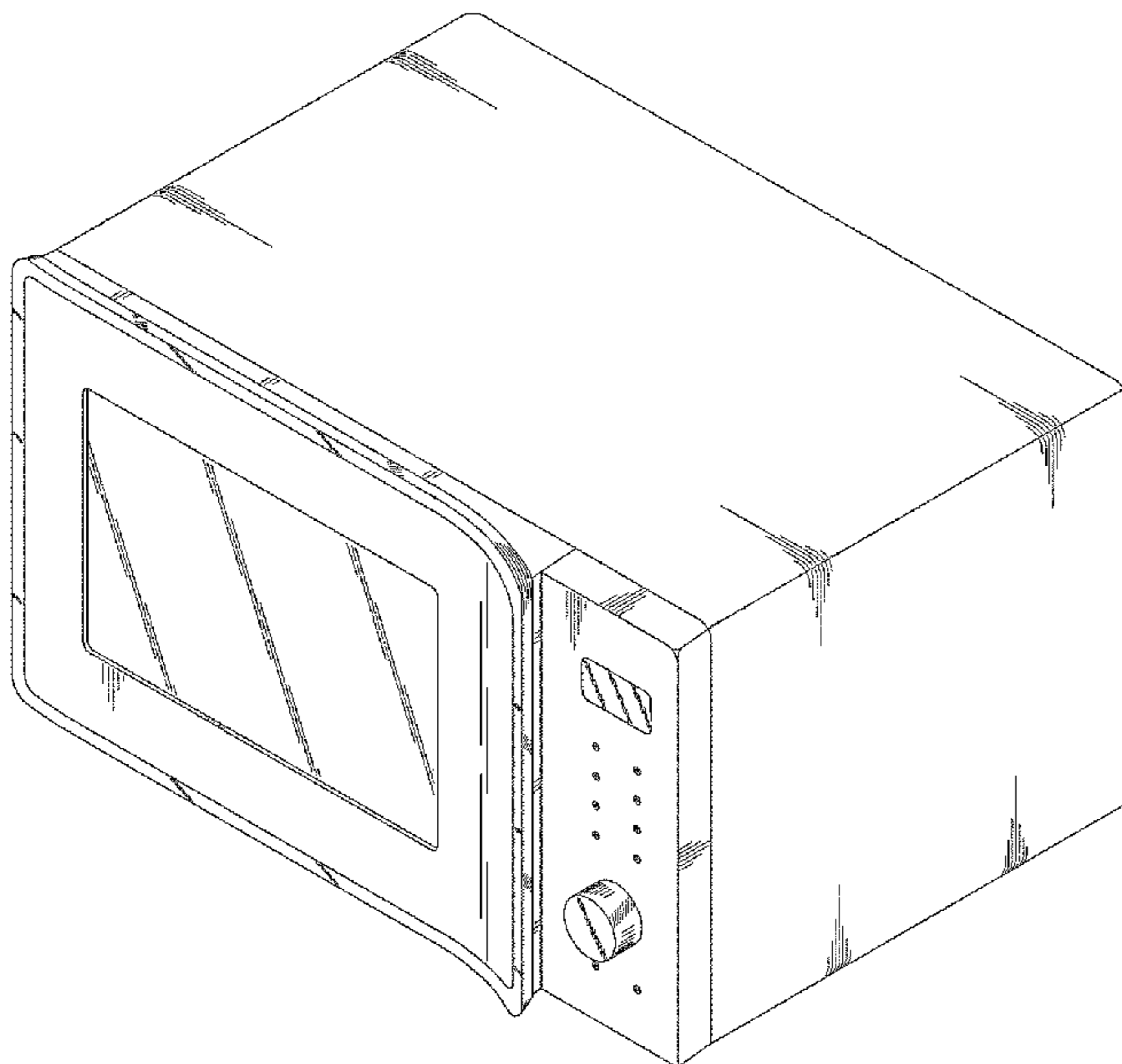


Fig. 1

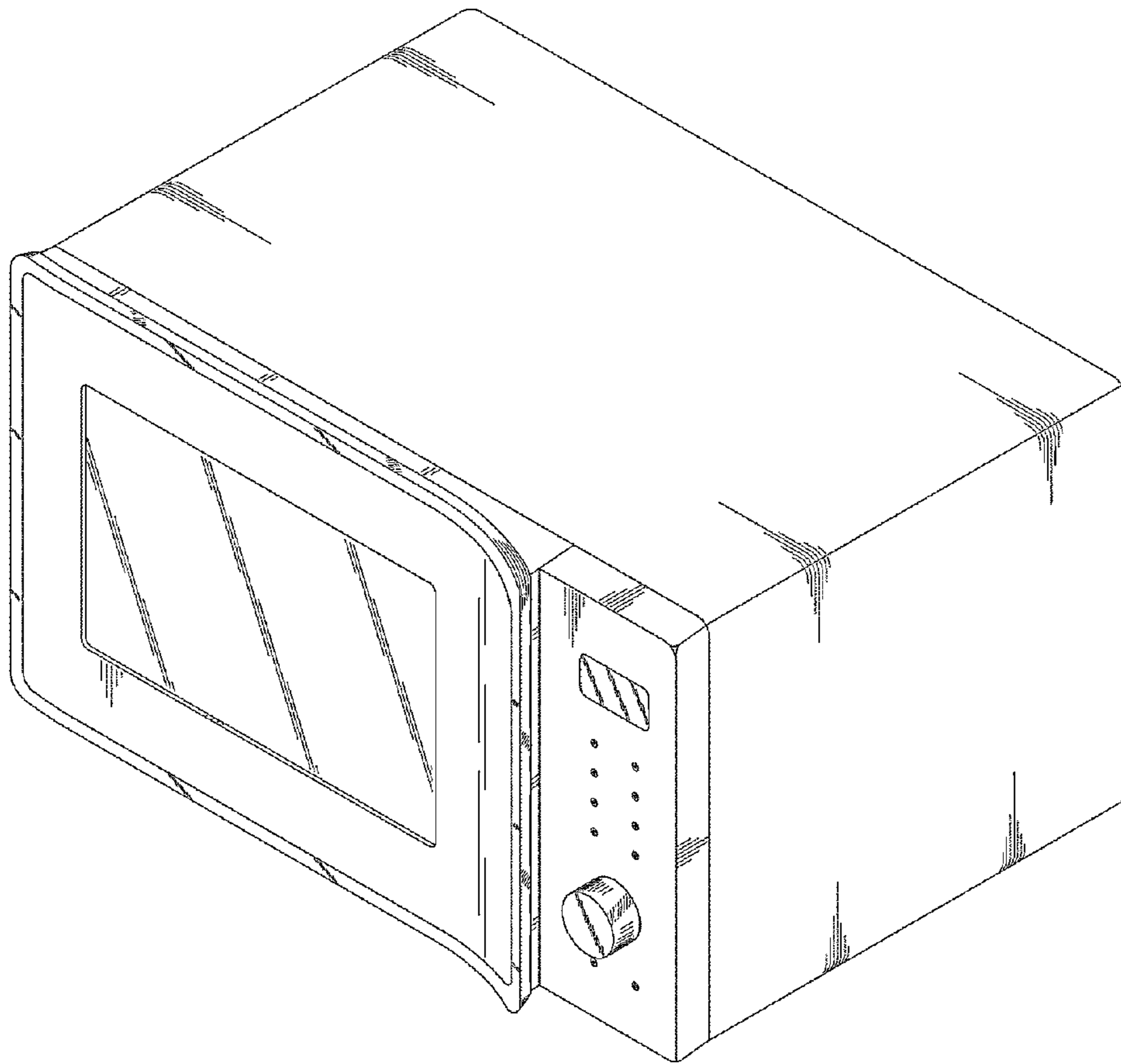


Fig. 2

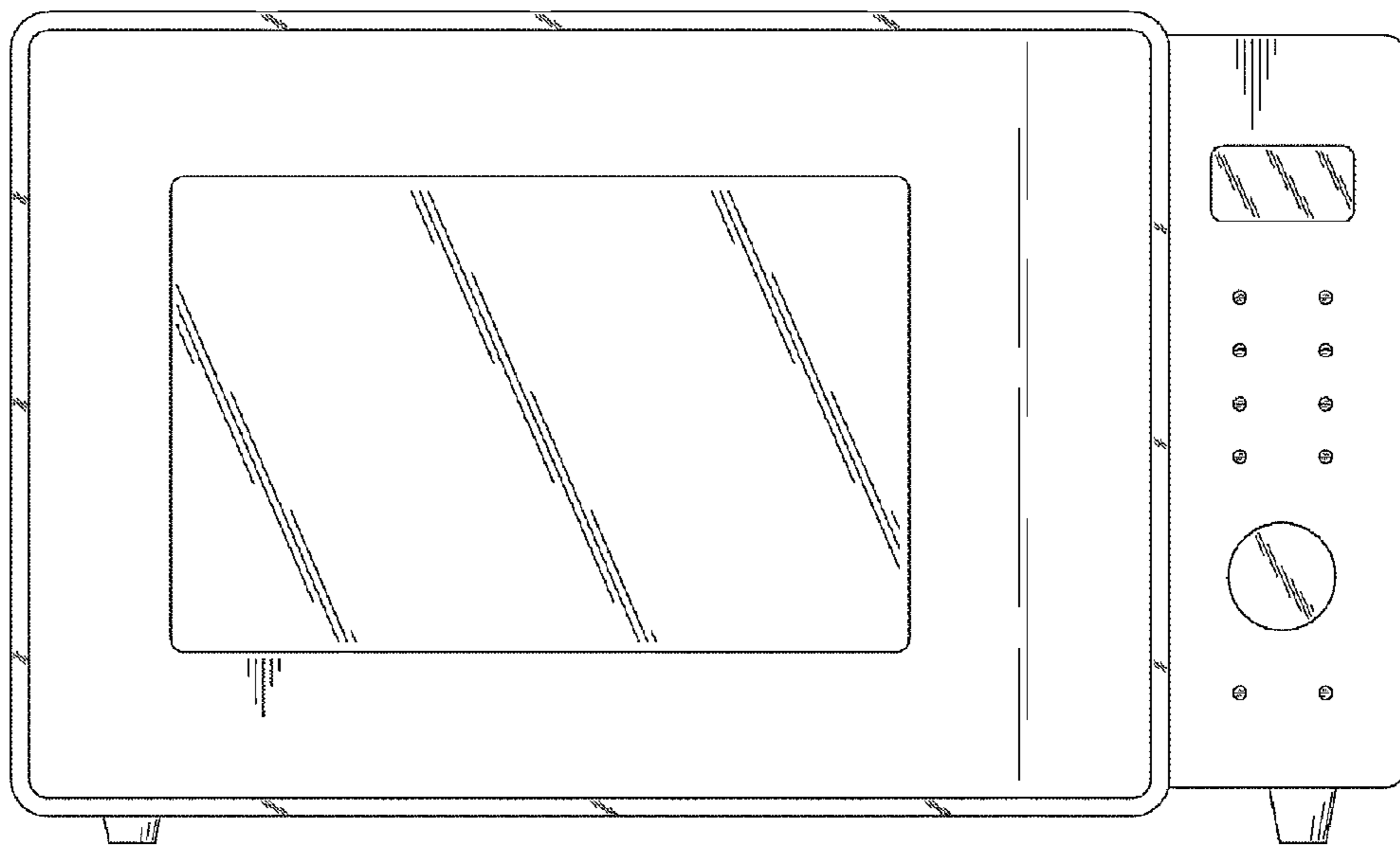


Fig. 3

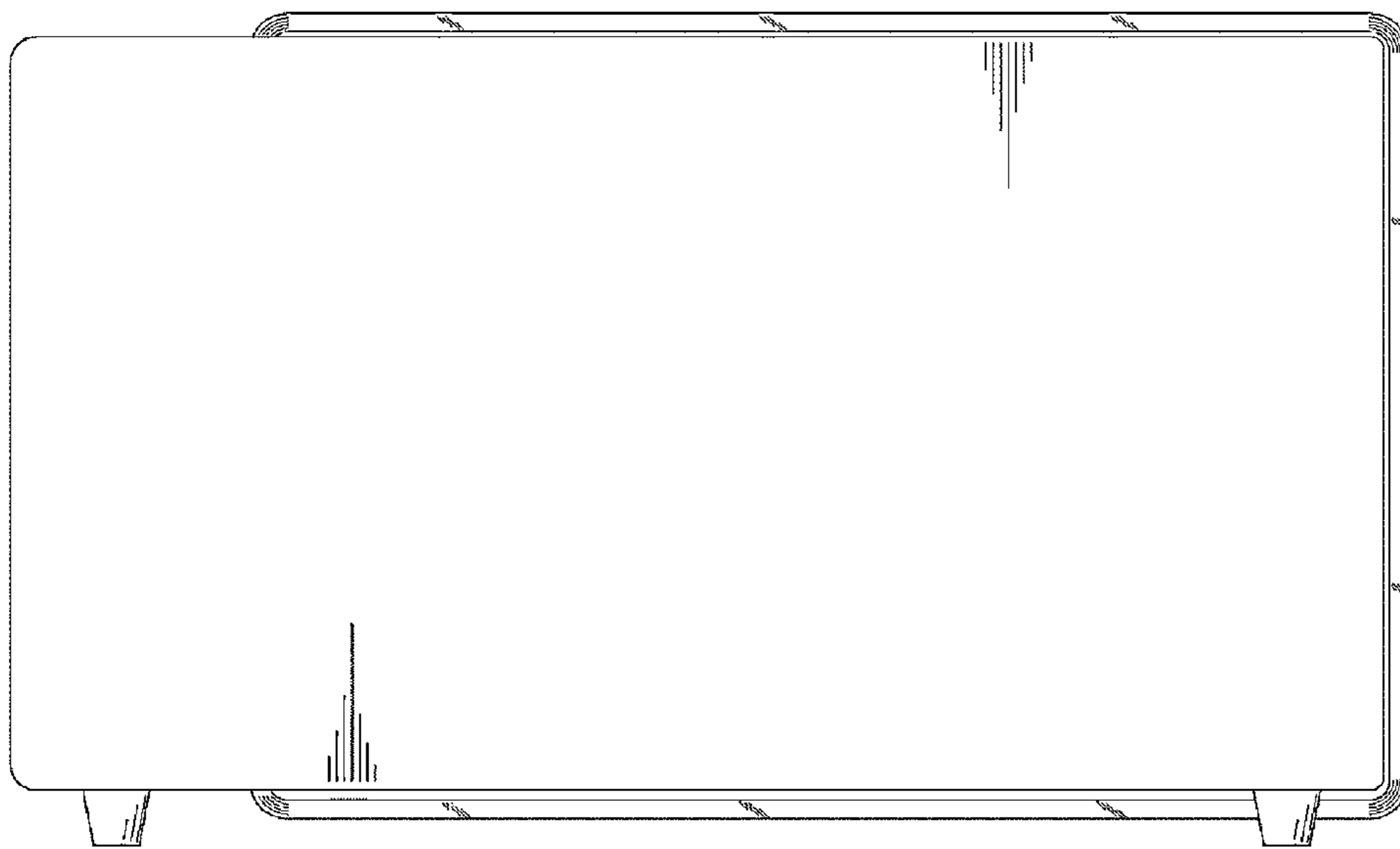


Fig. 4

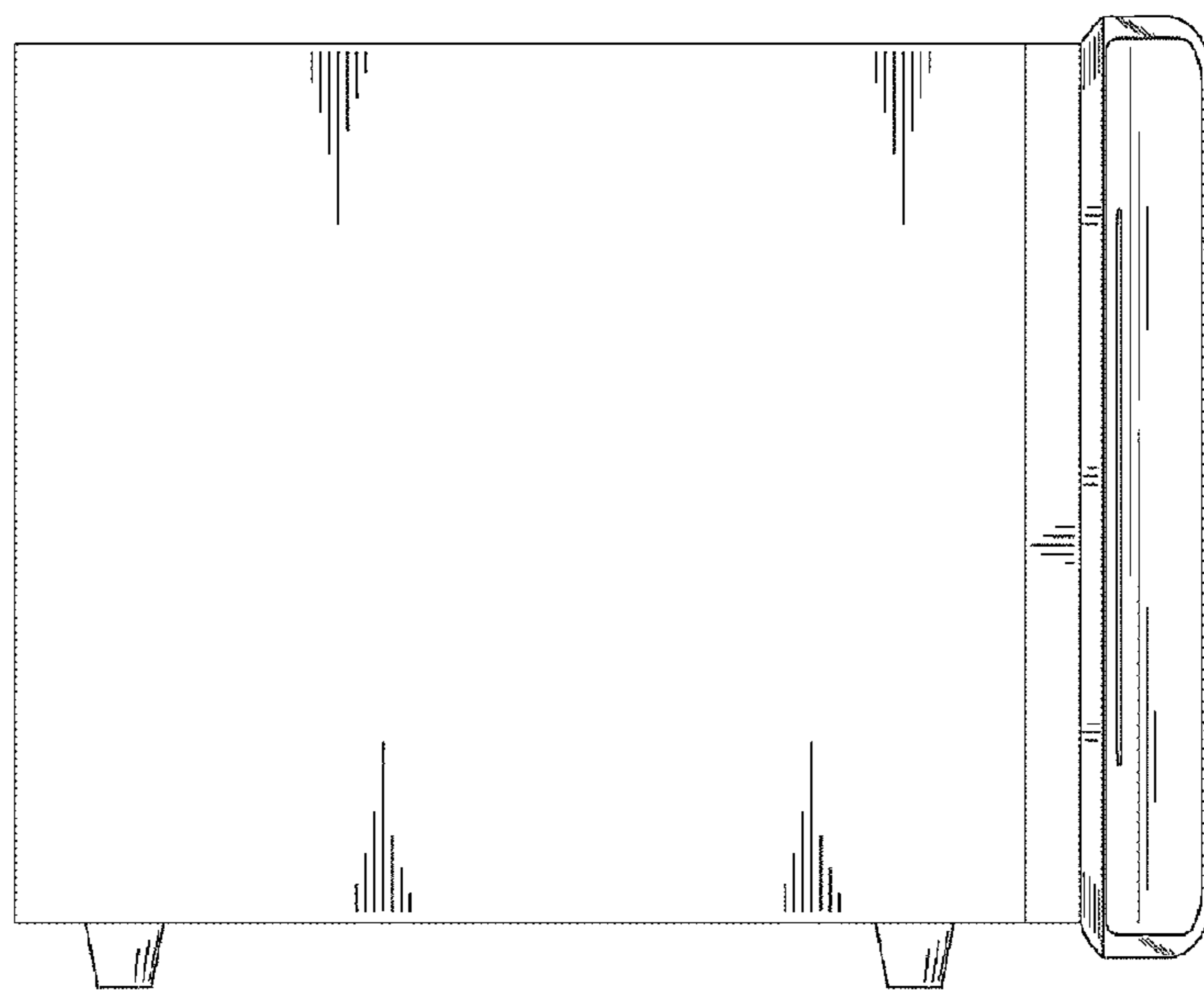


Fig. 5

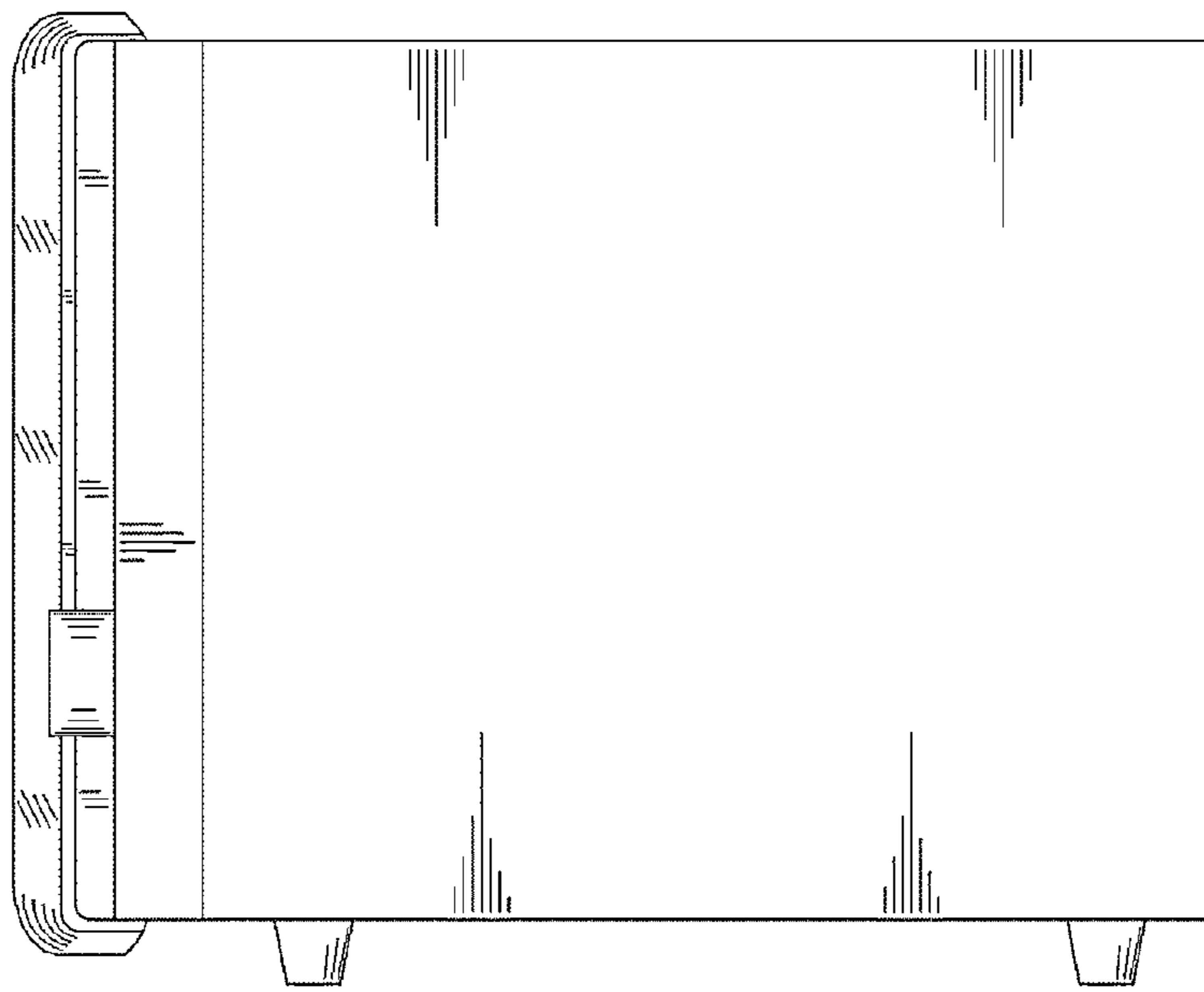


Fig. 6

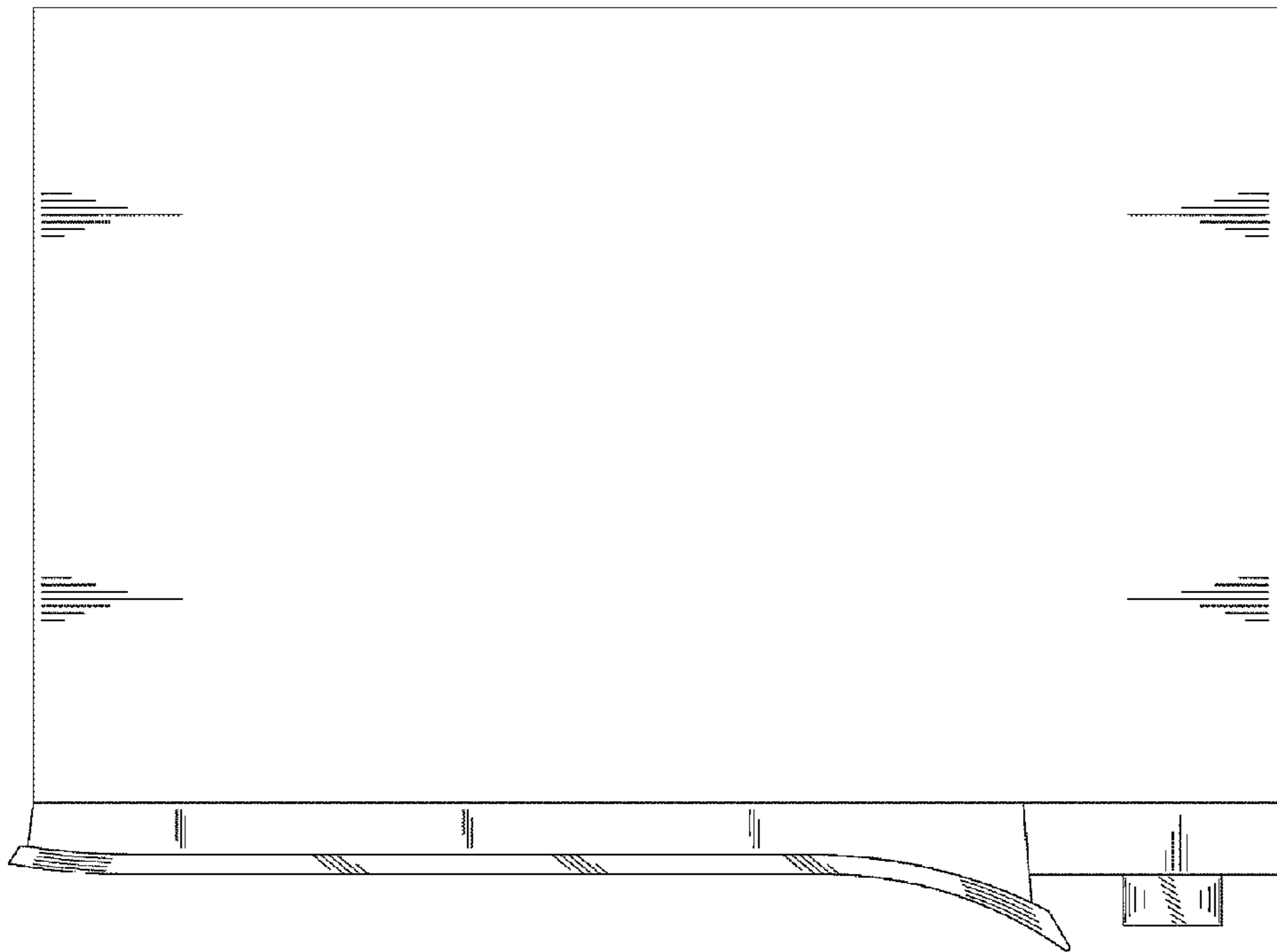


Fig. 7

