



US00D712693S

(12) **United States Design Patent**  
**Le Gal**

(10) **Patent No.:** **US D712,693 S**  
(45) **Date of Patent:** **\*\* Sep. 9, 2014**

(54) **TRAMMEL FOR A CHAIR**

(71) Applicant: **Lafuma S.A.**, Anneyron (FR)

(72) Inventor: **Yann Le Gal**, Biviers (FR)

(73) Assignee: **Lafuma Mobilier S.A.S.** (FR)

(\*\*) Term: **14 Years**

(21) Appl. No.: **29/436,344**

(22) Filed: **Nov. 5, 2012**

(30) **Foreign Application Priority Data**

May 3, 2012 (EM) ..... 002 036 533

(51) **LOC (10) Cl.** ..... **06-13**

(52) **U.S. Cl.**

USPC ..... **D6/716.7**; D8/372

(58) **Field of Classification Search**

USPC ..... D8/372; D6/310, 702, 716.7, 361, 368;  
211/57.1, 59.1, 123, 175; 248/216.1,  
248/218.1, 235, 237, 245

See application file for complete search history.

(56) **References Cited**

U.S. PATENT DOCUMENTS

667,992 A *	2/1901	Patzold	.....	248/237
D237,142 S *	10/1975	Barnes	.....	D8/363
D502,516 S *	3/2005	Chen	.....	D21/694
D564,865 S *	3/2008	Johnson	.....	D8/372

\* cited by examiner

*Primary Examiner* — Holly Baynham

(74) *Attorney, Agent, or Firm* — Cantor Colburn LLP

(57) **CLAIM**

I claim, the ornamental design for a trammel for a chair, as shown and described.

**DESCRIPTION**

FIG. 1 is a perspective view of a trammel for a chair, showing my new design;

FIG. 2 is an enlarged front perspective view thereof;

FIG. 3 is a rear perspective view thereof;

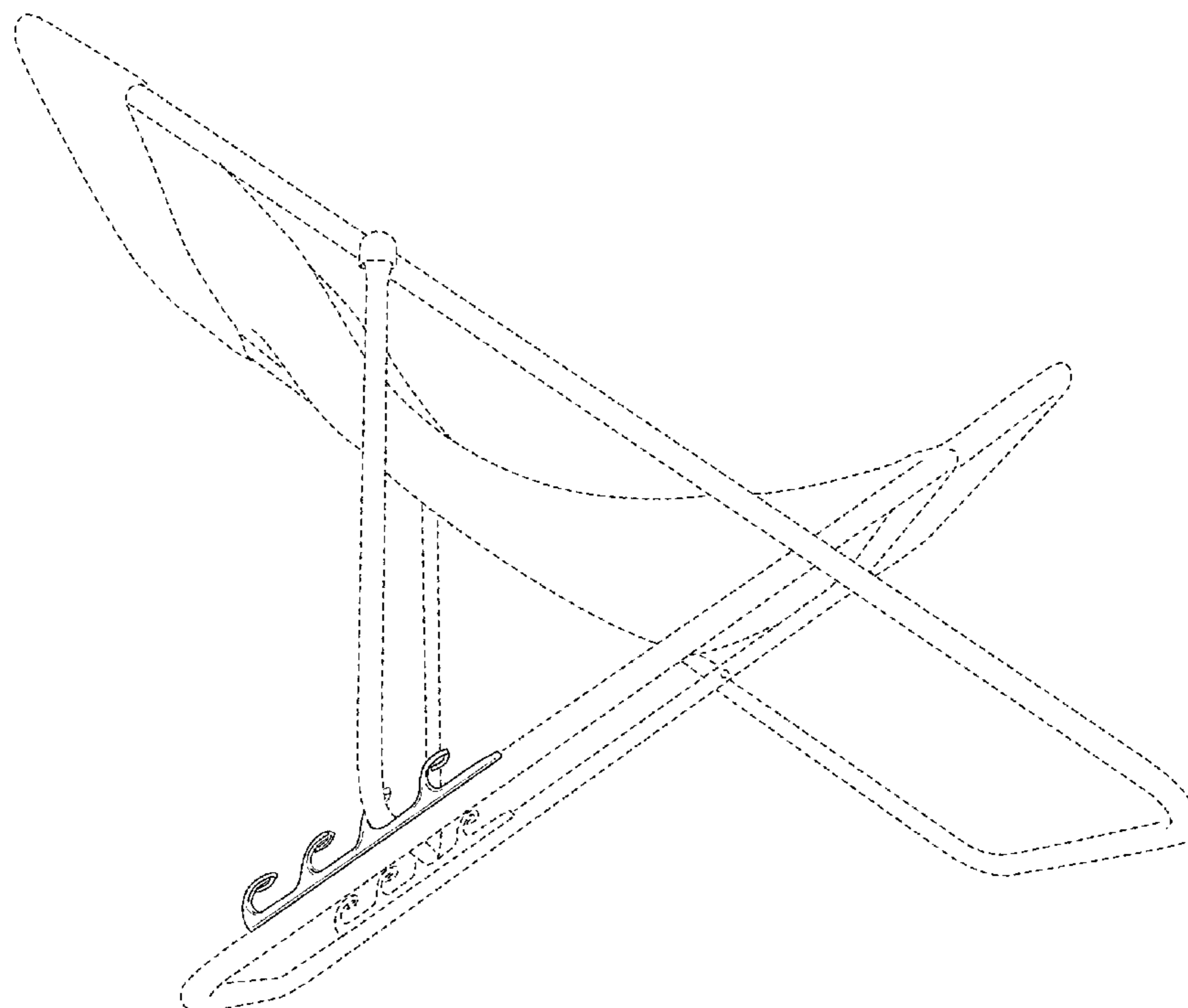
FIG. 4 is a side elevation view thereof, the opposite side view being a mirror image thereof;

FIG. 5 is a top plan view thereof; and,

FIG. 6 is a front elevation view thereof.

The broken lines showing a lounge chair are for the purposes of illustrating environment and form no part of the claimed design.

**1 Claim, 6 Drawing Sheets**



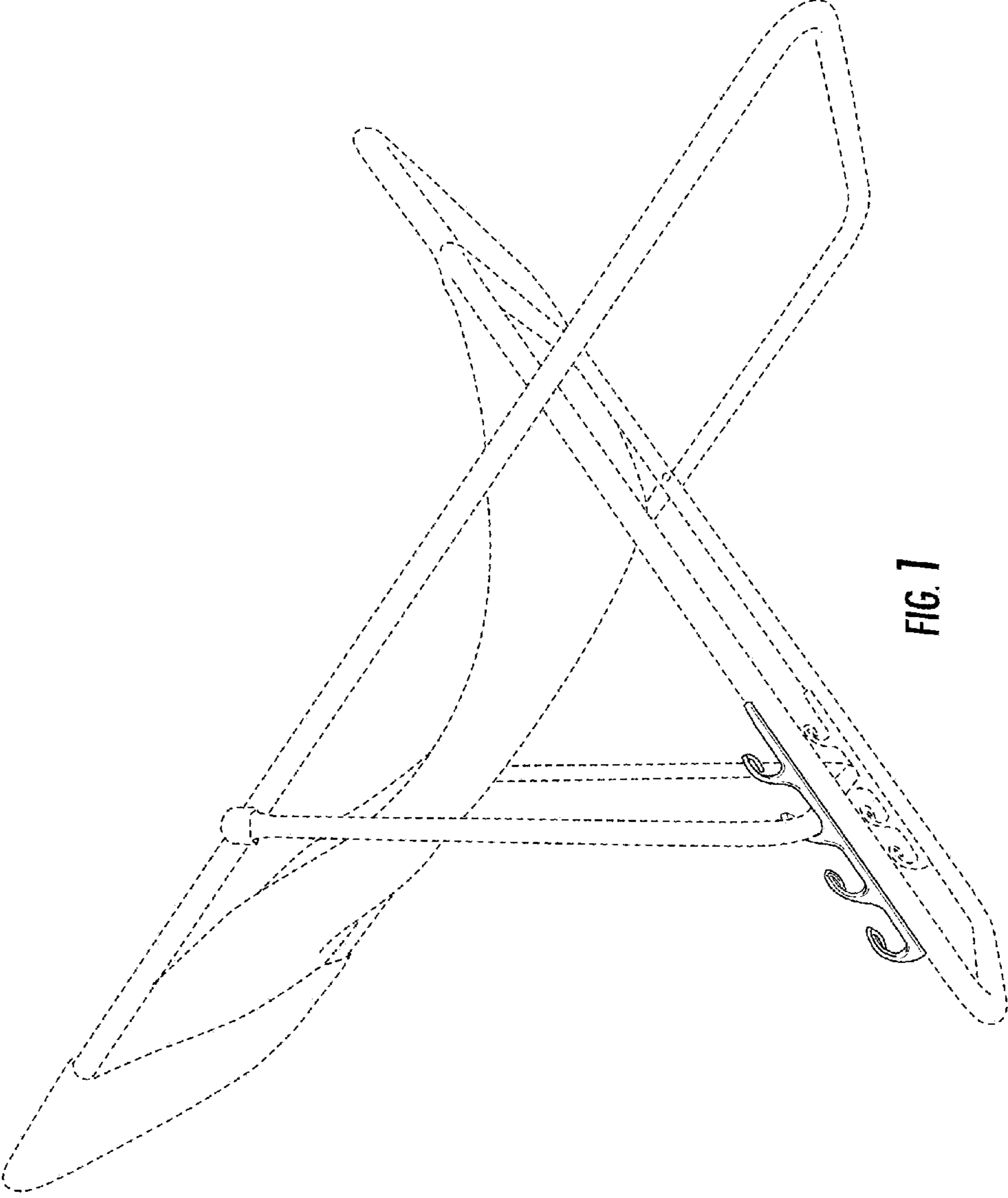


FIG. 1

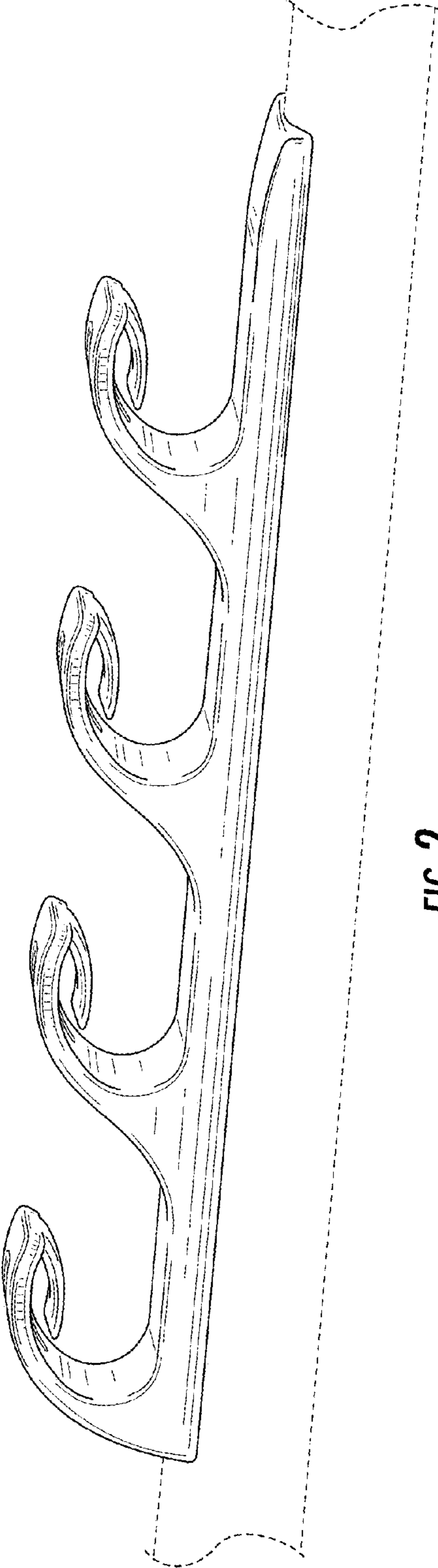


FIG. 2

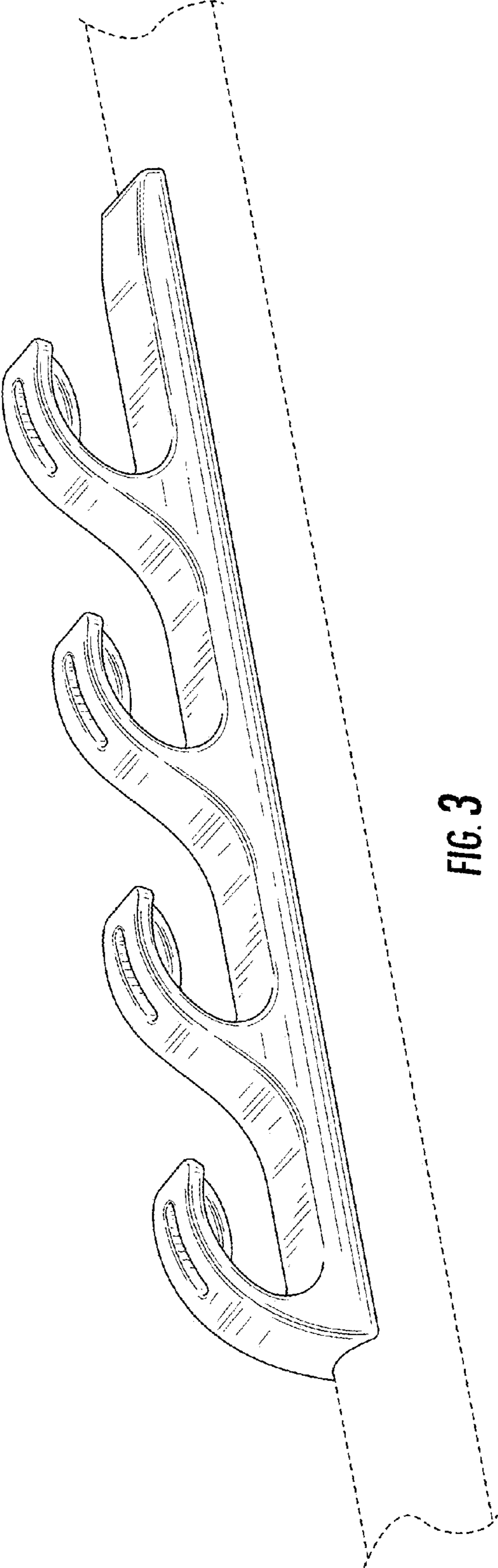


FIG. 3

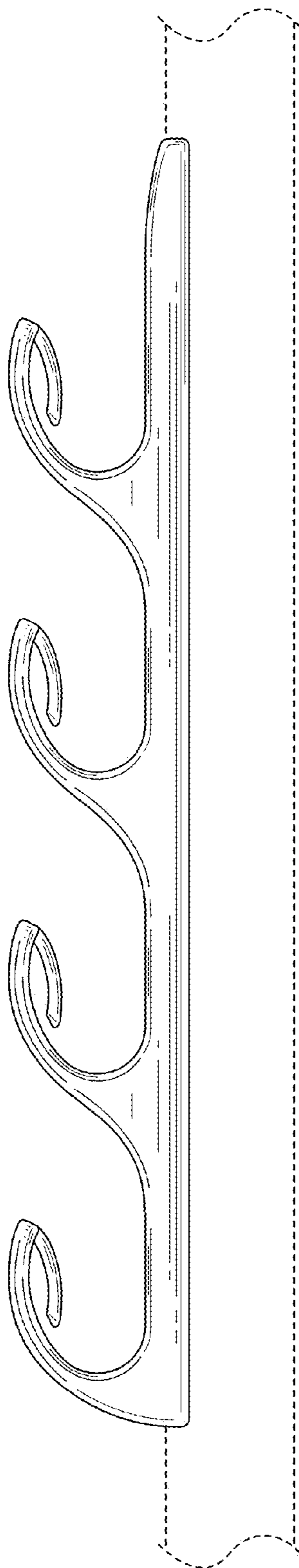


FIG. 4

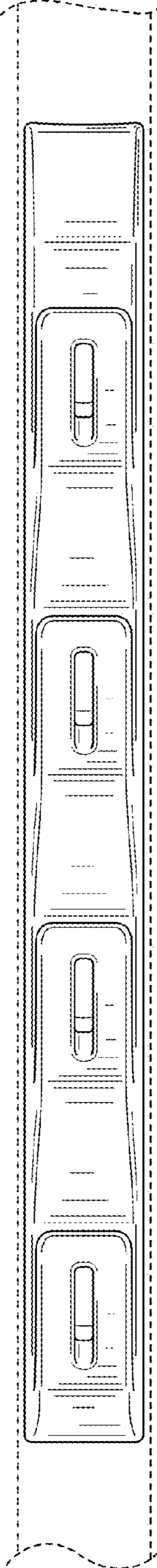
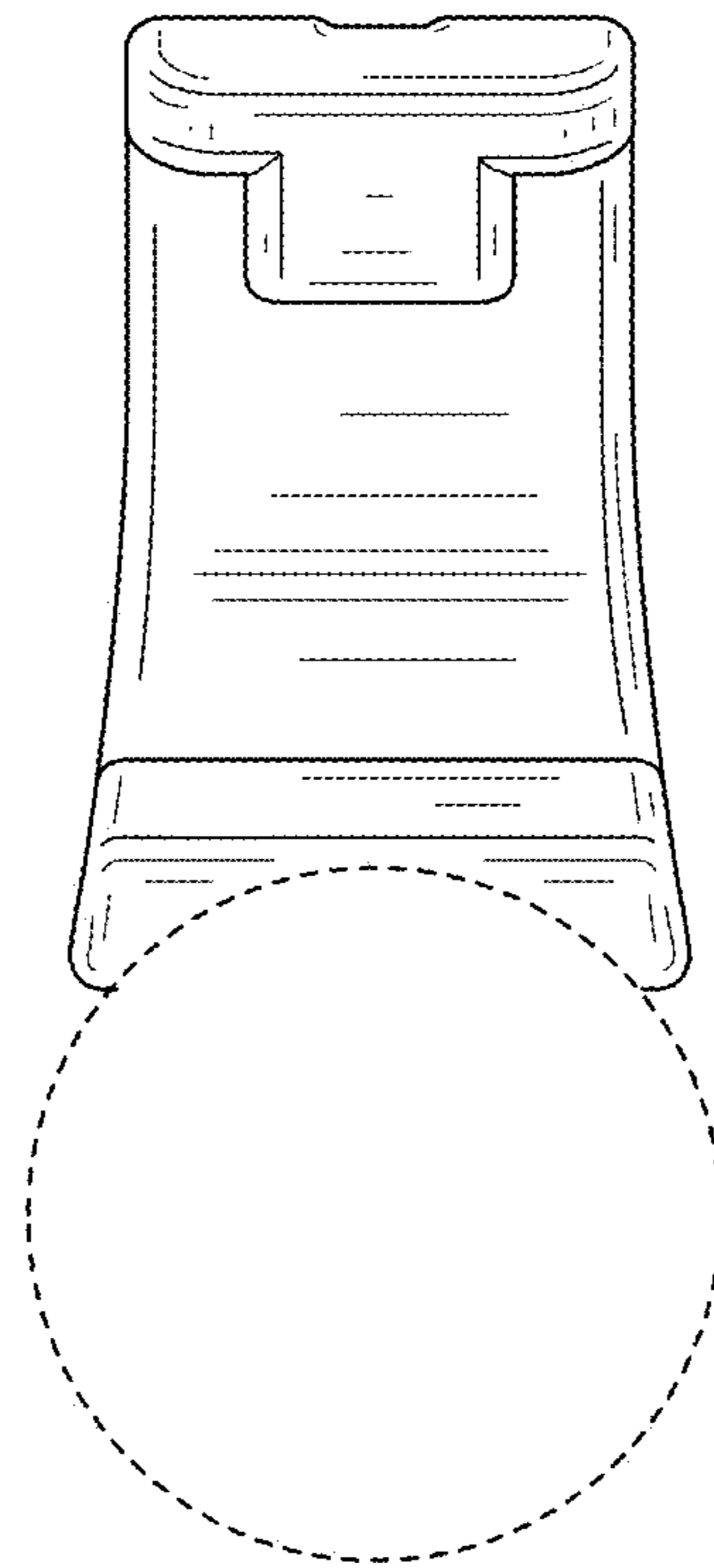


FIG. 5



**FIG. 6**