



US00D712691S

(12) **United States Design Patent**
Xiang et al.

(10) **Patent No.:** **US D712,691 S**
(45) **Date of Patent:** **** Sep. 9, 2014**

(54) **FLAT PANEL DISPLAY STAND BASE**
(71) Applicant: **Loctek Visual Technology Corp.,**
Ningbo (CN)
(72) Inventors: **Lehong Xiang,** Ningbo (CN); **Qiang**
Chen, Ningbo (CN); **Lijun Wu,** Ningbo
(CN)
(73) Assignee: **Loctek Visual Technology Corp. (CN)**
(**) Term: **14 Years**
(21) Appl. No.: **29/486,579**
(22) Filed: **Mar. 31, 2014**

D545,081 S * 6/2007 Lara D6/466
7,261,261 B2 * 8/2007 Ligertwood 248/129
D560,401 S * 1/2008 Hoglan et al. D6/479
D576,427 S * 9/2008 Stebbens et al. D6/477
D587,251 S * 2/2009 Morello D14/239
D587,253 S * 2/2009 Morello D14/239
D587,254 S * 2/2009 Morello D14/239
D593,776 S * 6/2009 Sexton D6/478
D605,429 S * 12/2009 Oner D6/477
D606,522 S * 12/2009 Le D14/239
D614,611 S * 4/2010 Leung D14/239
D615,072 S * 5/2010 Saitou D14/239
D619,569 S * 7/2010 Honchell D14/239
D624,063 S * 9/2010 Kasuga et al. D14/239
D625,302 S * 10/2010 Kasuga et al. D14/239
D627,359 S * 11/2010 Gillespie D14/451
D634,310 S * 3/2011 Knaapen D14/239
D634,946 S * 3/2011 Gillespie D6/462
D643,027 S * 8/2011 Calco D14/239

(30) **Foreign Application Priority Data**
Oct. 12, 2013 (CN) 2013 3 0481379
(51) **LOC (10) Cl.** **06-06**
(52) **U.S. Cl.**
USPC **D6/678.1**
(58) **Field of Classification Search**
USPC D6/477-479, 474, 460-461, 509, 678,
D6/678.1; 312/7.2, 9.1; 211/40, 41.12, 42,
211/49-50, 85.2, 90.04, 187; 108/59,
108/91-92, 96
See application file for complete search history.

* cited by examiner

Primary Examiner — Kelley Donnelly

(74) *Attorney, Agent, or Firm* — Marger Johnson & McCollom, PC

(57) **CLAIM**

The ornamental design for a flat panel display stand base, as shown and described.

DESCRIPTION

FIG. 1 is a front view of a flat panel display stand base;
FIG. 2 is a back view thereof;
FIG. 3 is a top view thereof;
FIG. 4 is a bottom view thereof;
FIG. 5 is a left view thereof;
FIG. 6 is a right view thereof; and,
FIG. 7 is a perspective view thereof.
The broken lines shown in the drawings are for environmental purposes only and form no part of the claimed design.

1 Claim, 7 Drawing Sheets

(56) **References Cited**
U.S. PATENT DOCUMENTS
D358,048 S * 5/1995 Schoenig et al. D6/466
D455,131 S * 4/2002 Reynaga et al. D14/126
D459,106 S * 6/2002 Walter D6/411
D474,047 S * 5/2003 Lara D6/479
D537,656 S * 3/2007 Stenhouse et al. D6/474
D539,566 S * 4/2007 Anderson D6/474

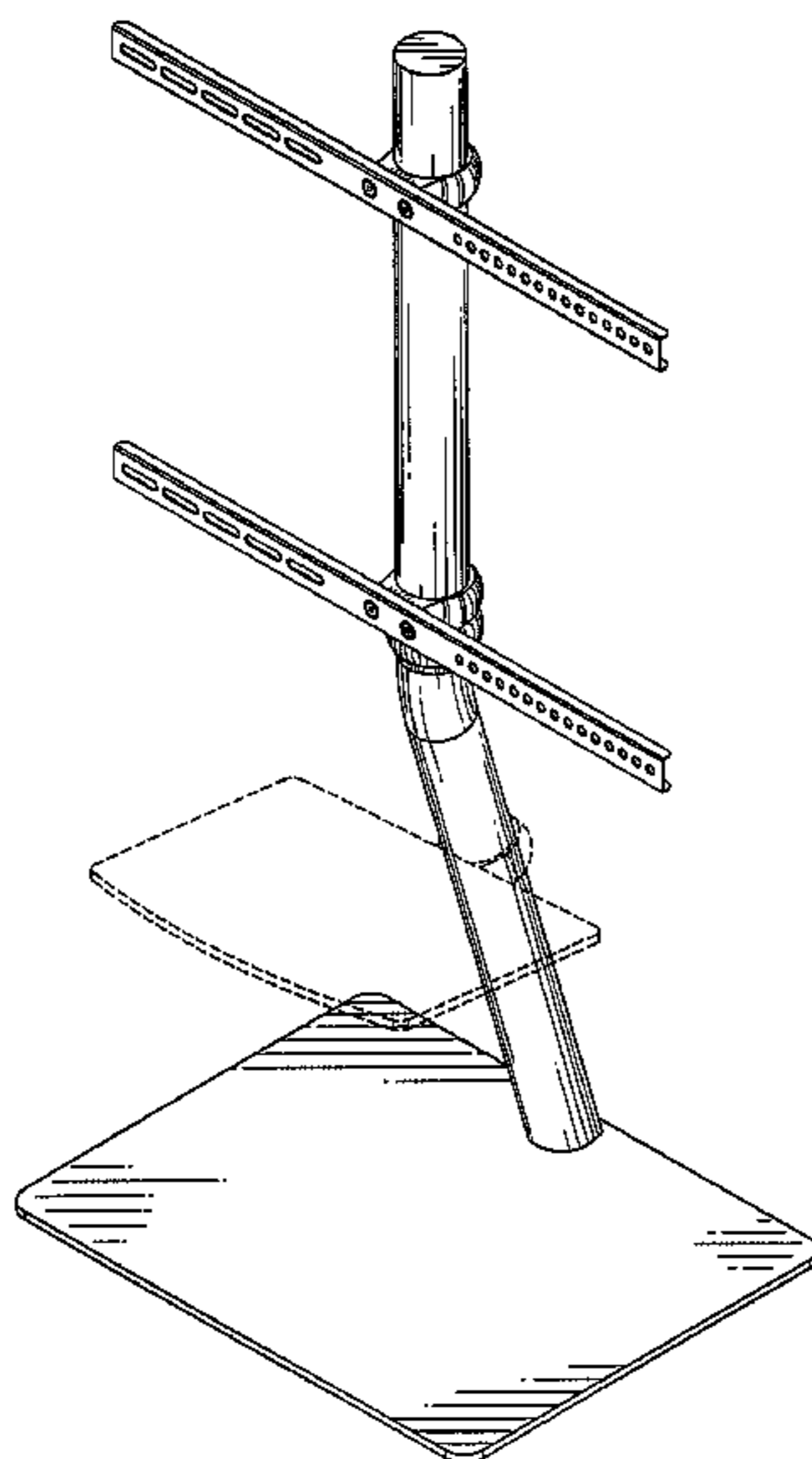


Fig. 1

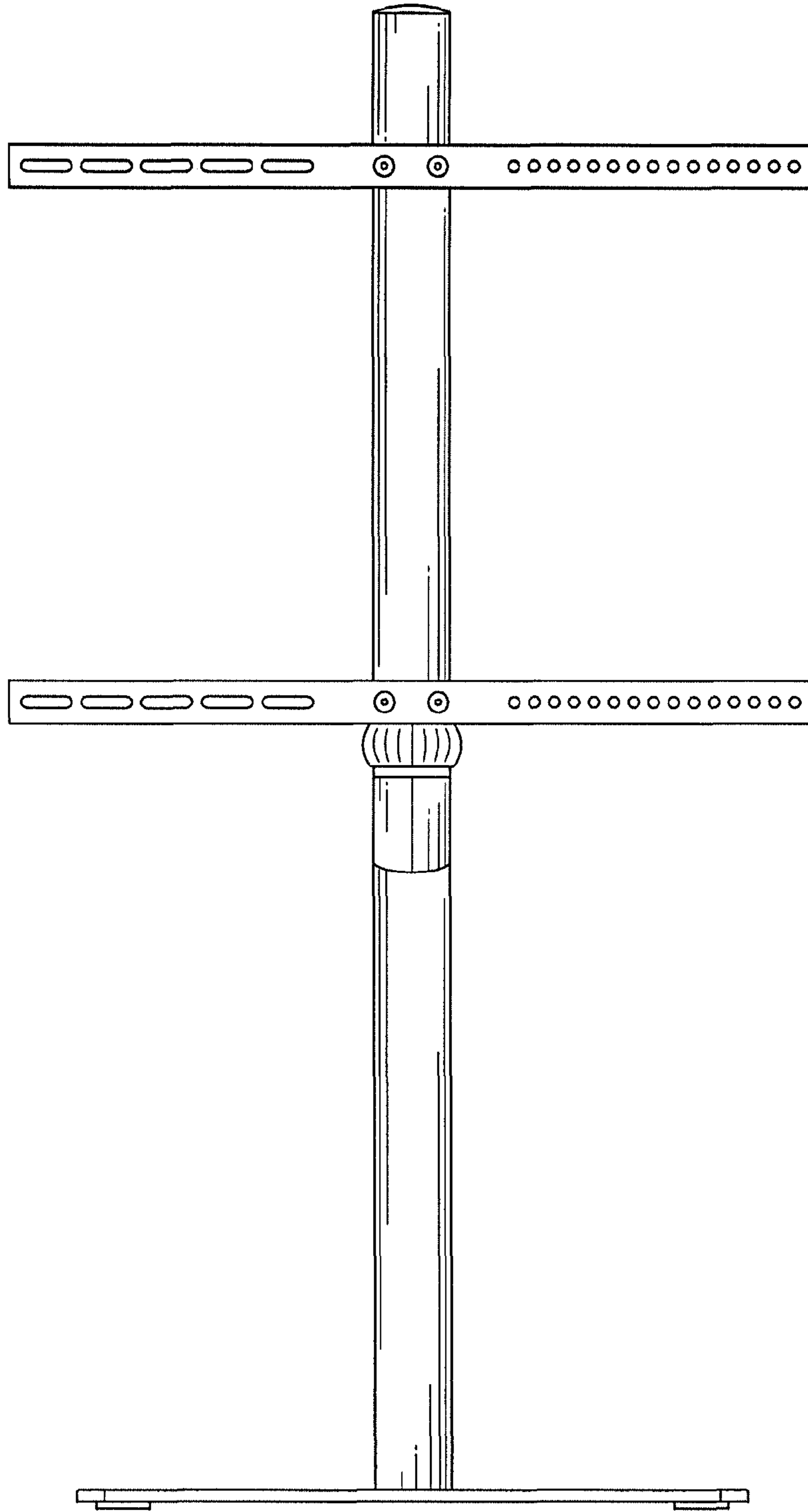


Fig. 2

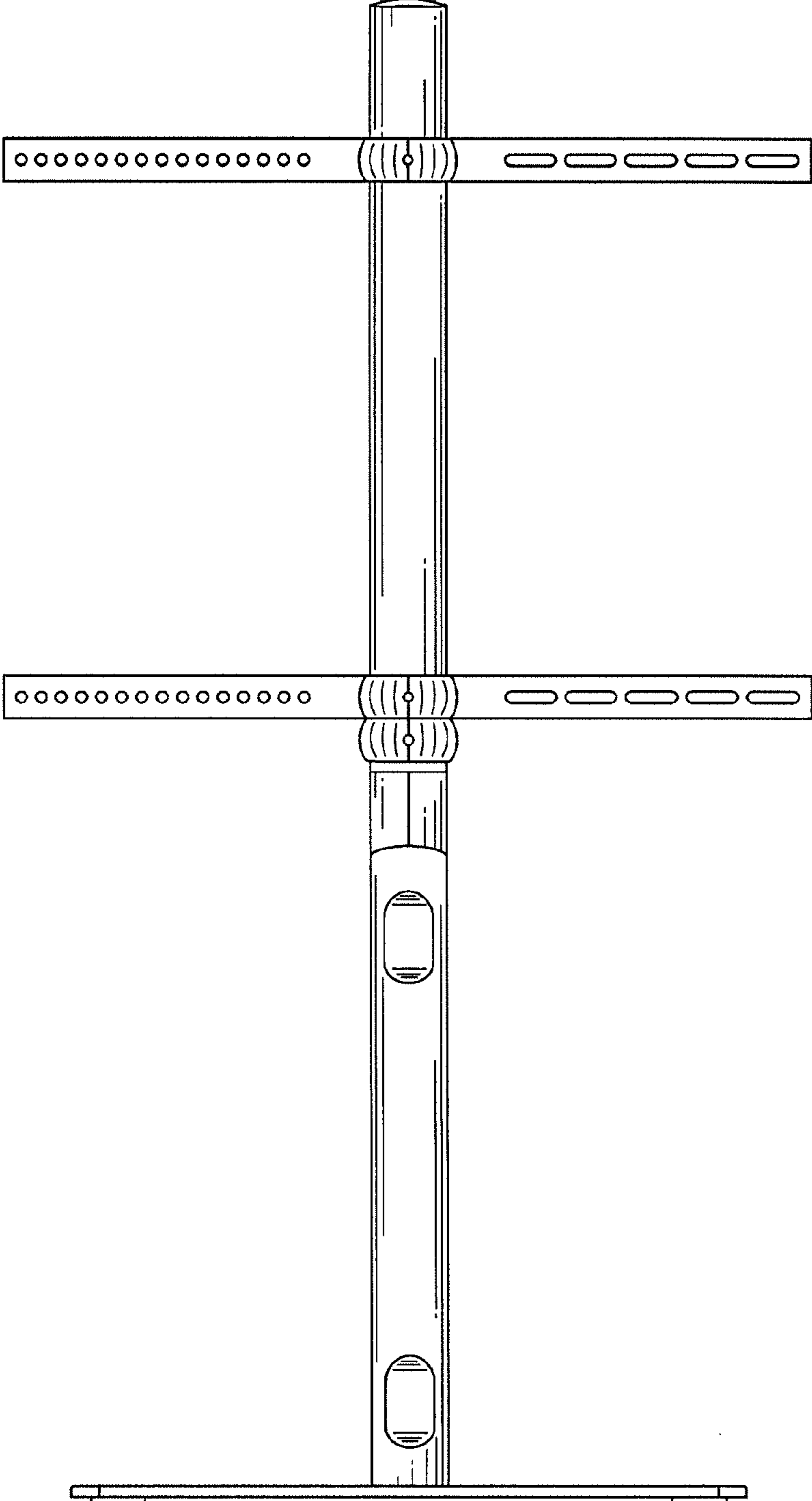


Fig. 3

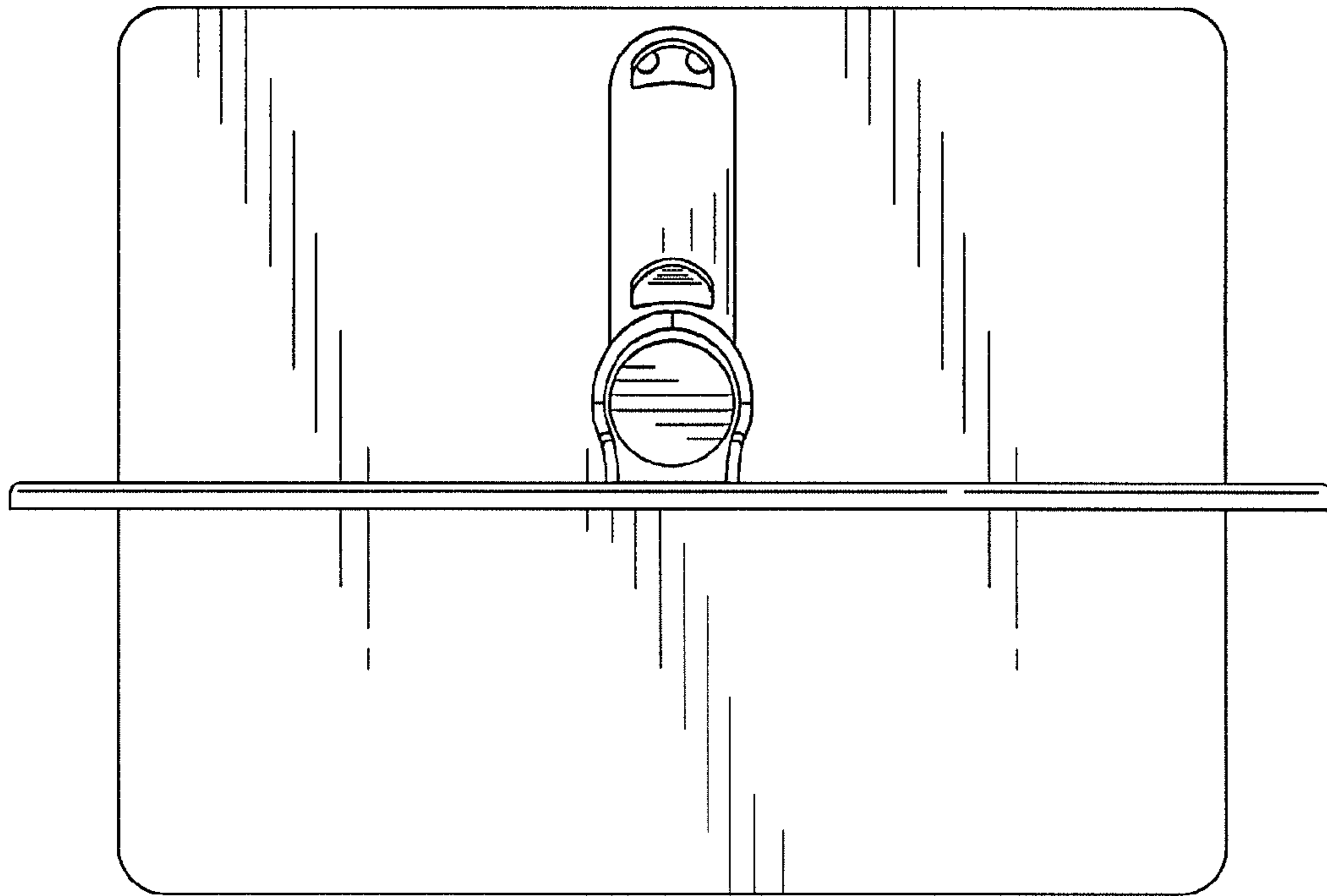


Fig. 4

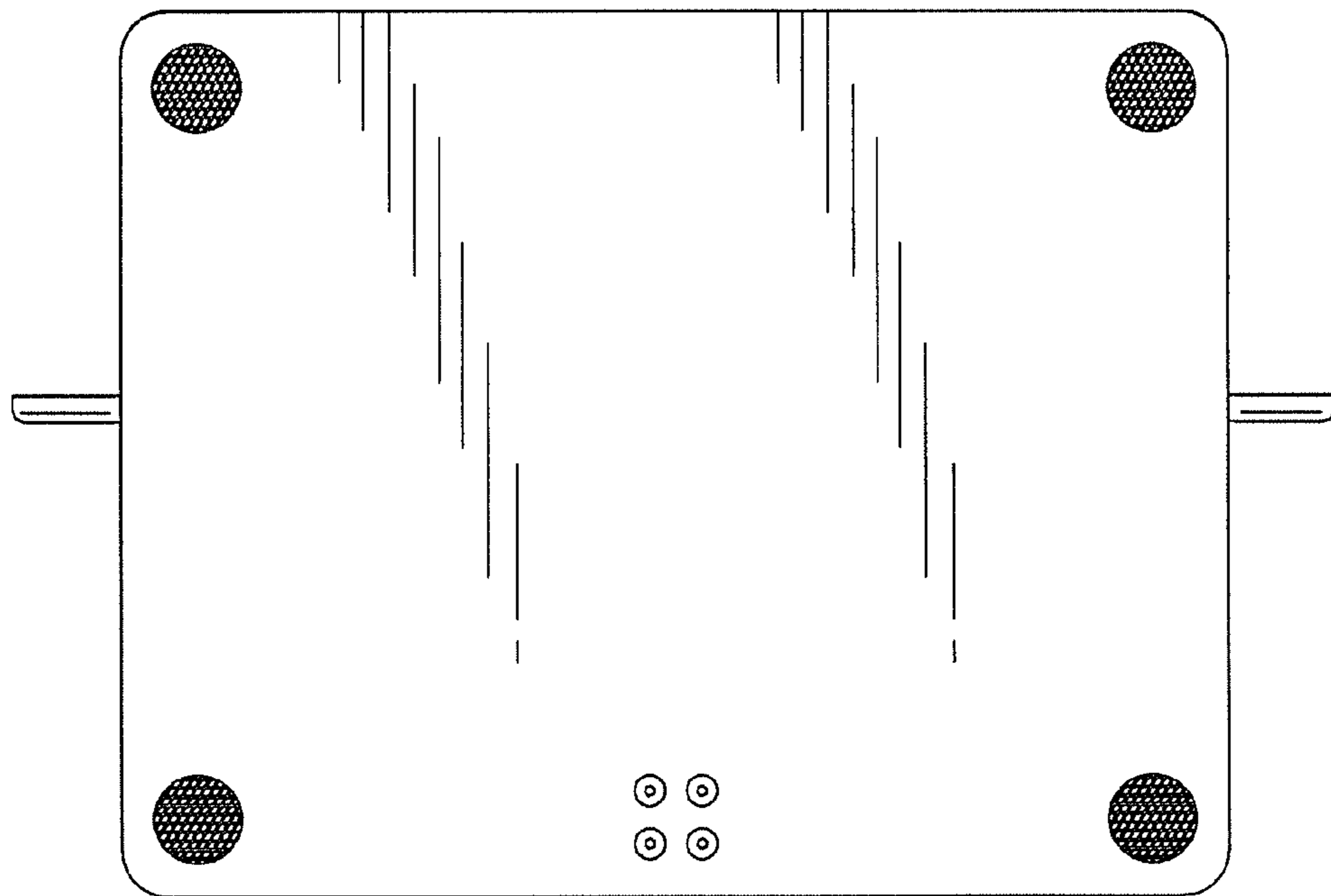


Fig. 5

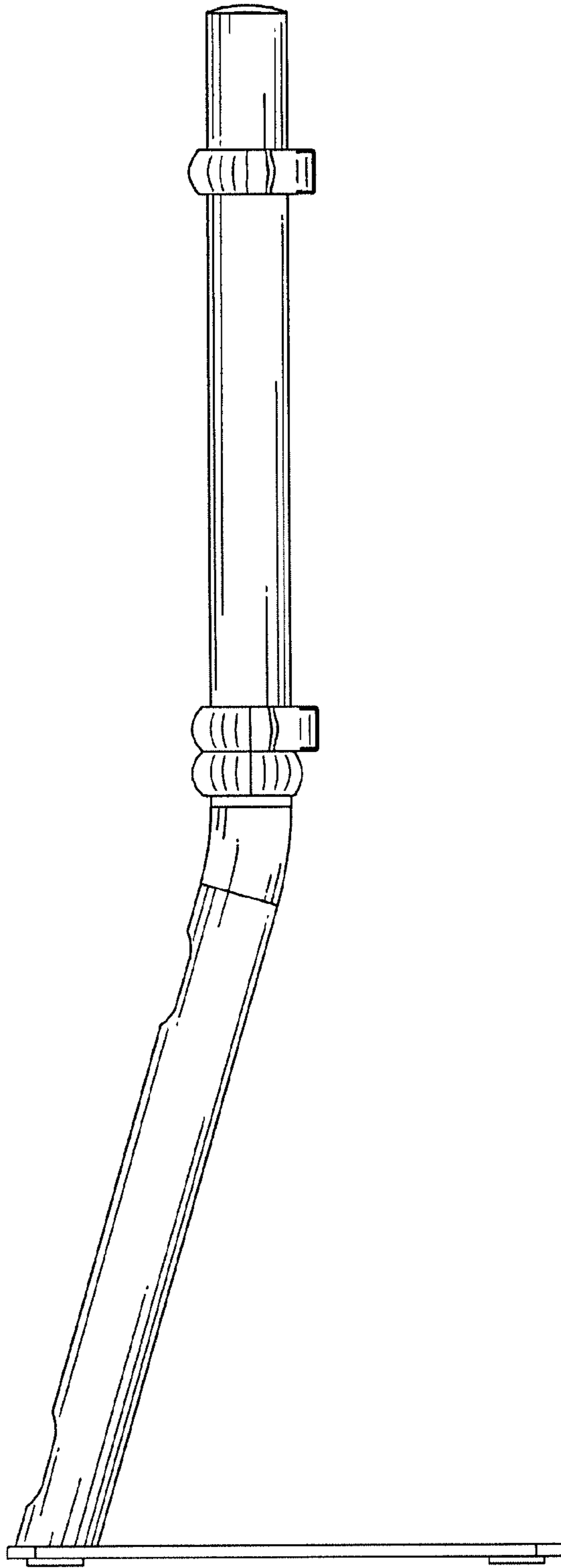


Fig. 6

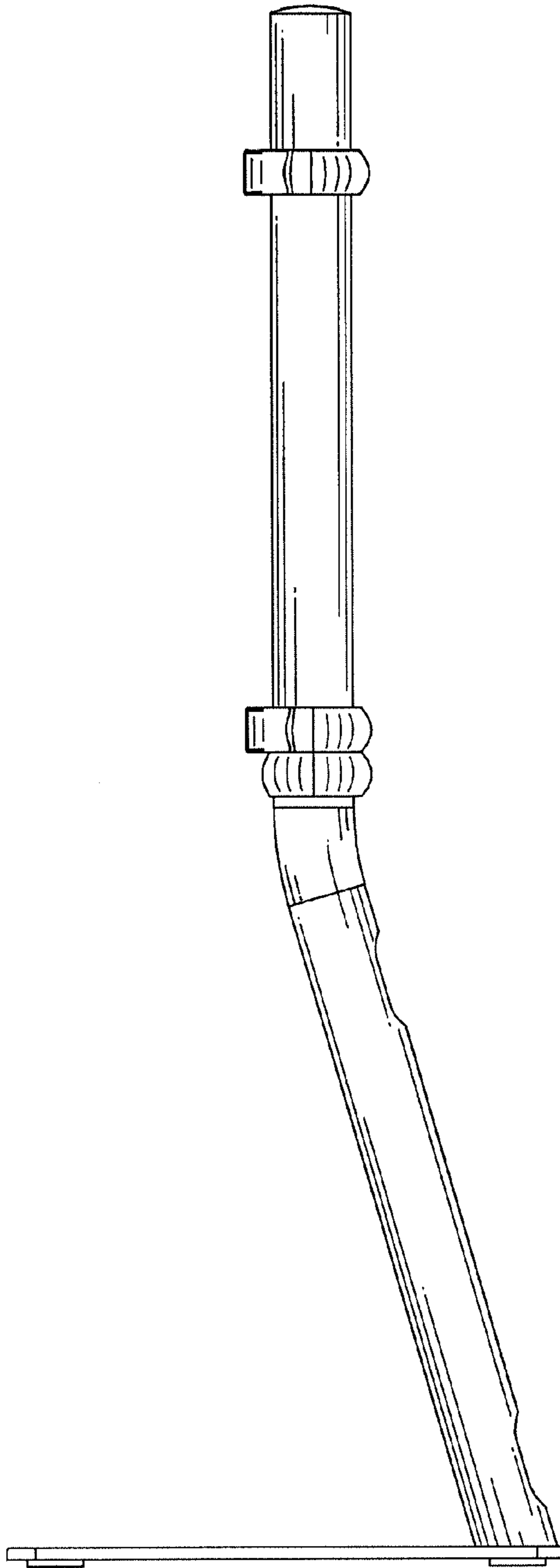


Fig. 7

