



US00D712689S

(12) **United States Design Patent**
Montagner

(10) **Patent No.:** **US D712,689 S**
(45) **Date of Patent:** **** Sep. 9, 2014**

- (54) **DISPLAY UNIT**
- (71) Applicant: **WOMO S.r.l.**, Bergamo (IT)
- (72) Inventor: **Renato Montagner**, Venezia Mestre (IT)
- (73) Assignee: **WOMO S.R.L.**, Bergamo (IT)
- (**) Term: **14 Years**
- (21) Appl. No.: **29/485,009**
- (22) Filed: **Mar. 14, 2014**
- (51) **LOC (10) Cl.** **06-06**
- (52) **U.S. Cl.**
USPC **D6/675**
- (58) **Field of Classification Search**
USPC D6/332, 396, 409–410, 449, 465–466,
D6/467–468, 477–479, 675; 211/13.1,
211/71.01, 134, 187, 74, 153; 248/235,
248/247, 250; 108/59, 91, 96, 147.11,
108/106–107
See application file for complete search history.

- D661,922 S * 6/2012 Mitri D6/436
- D672,577 S * 12/2012 Blet et al. D6/675.1
- D684,795 S * 6/2013 Koenigsknecht et al. .. D6/675.1
- 2009/0101610 A1 * 4/2009 Clark et al. 211/113
- 2013/0000343 A1 * 1/2013 Jafa et al. 62/251
- 2013/0313951 A1 * 11/2013 Stewart et al. 312/45

* cited by examiner

Primary Examiner — Kelley Donnelly

(74) *Attorney, Agent, or Firm* — Fox Rothschild LLP

(57) **CLAIM**

The ornamental design for a display unit, as shown and described.

DESCRIPTION

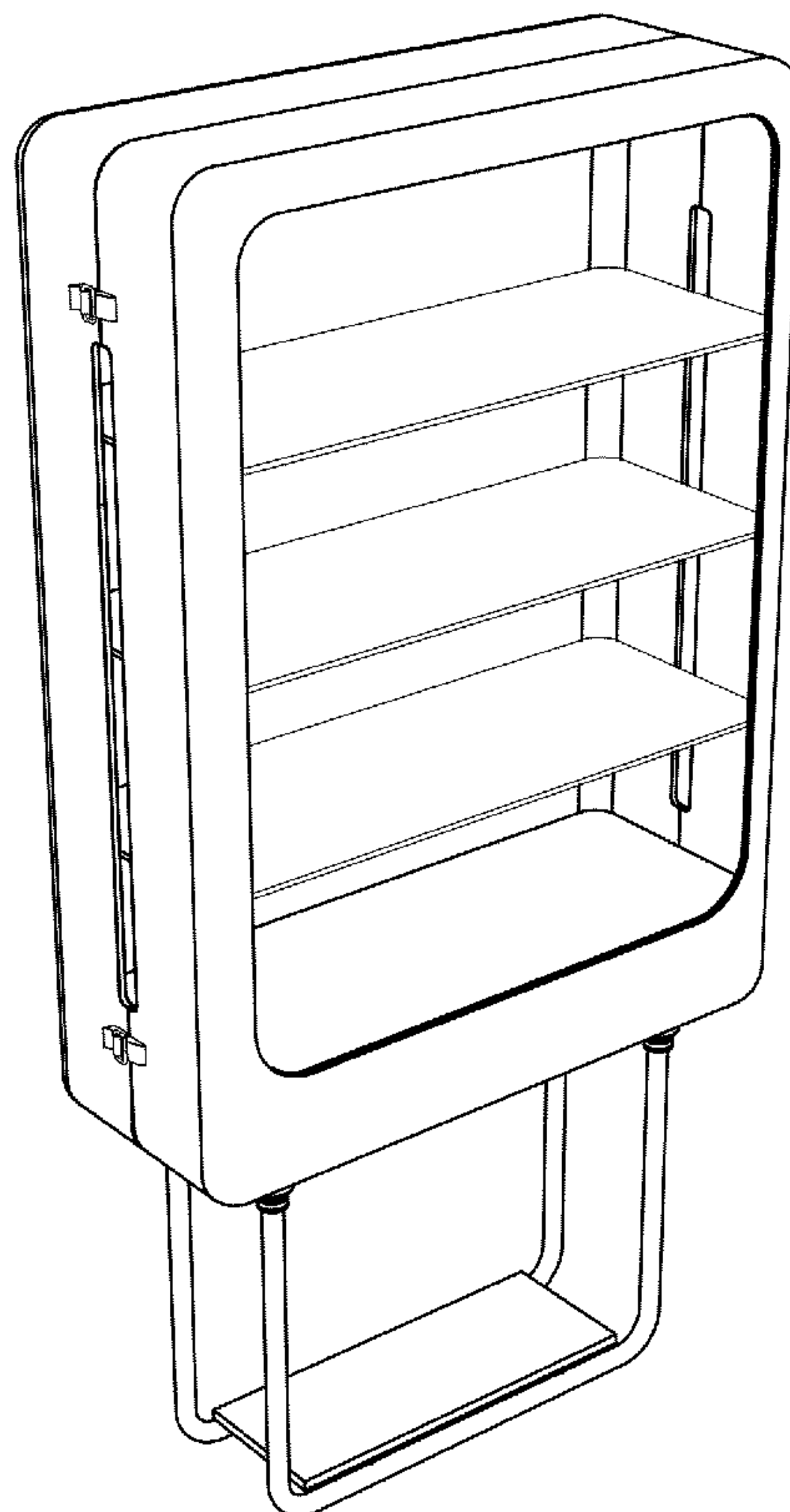
FIG. 1 illustrates a perspective view of the display unit of the present invention;
 FIG. 2 illustrates a front view of the display unit of FIG. 1;
 FIG. 3 illustrates a back view of the display unit of FIG. 1;
 FIG. 4 illustrates a right side view of the display unit of FIG. 1;
 FIG. 5 illustrates a left side view of the display unit of FIG. 1;
 FIG. 6 illustrates a top view of the display unit of FIG. 1; and,
 FIG. 7 illustrates a bottom view of the display unit of FIG. 1.
 The broken lines shown is for the purpose of illustrating environmental structure, and forms no part of the claimed design.

(56) **References Cited**

U.S. PATENT DOCUMENTS

- D256,198 S * 8/1980 Winter et al. D6/468
- D468,560 S * 1/2003 Riga D6/477
- D534,376 S * 1/2007 Sparkowski D6/468
- D657,591 S * 4/2012 Sanchez D6/479

1 Claim, 5 Drawing Sheets



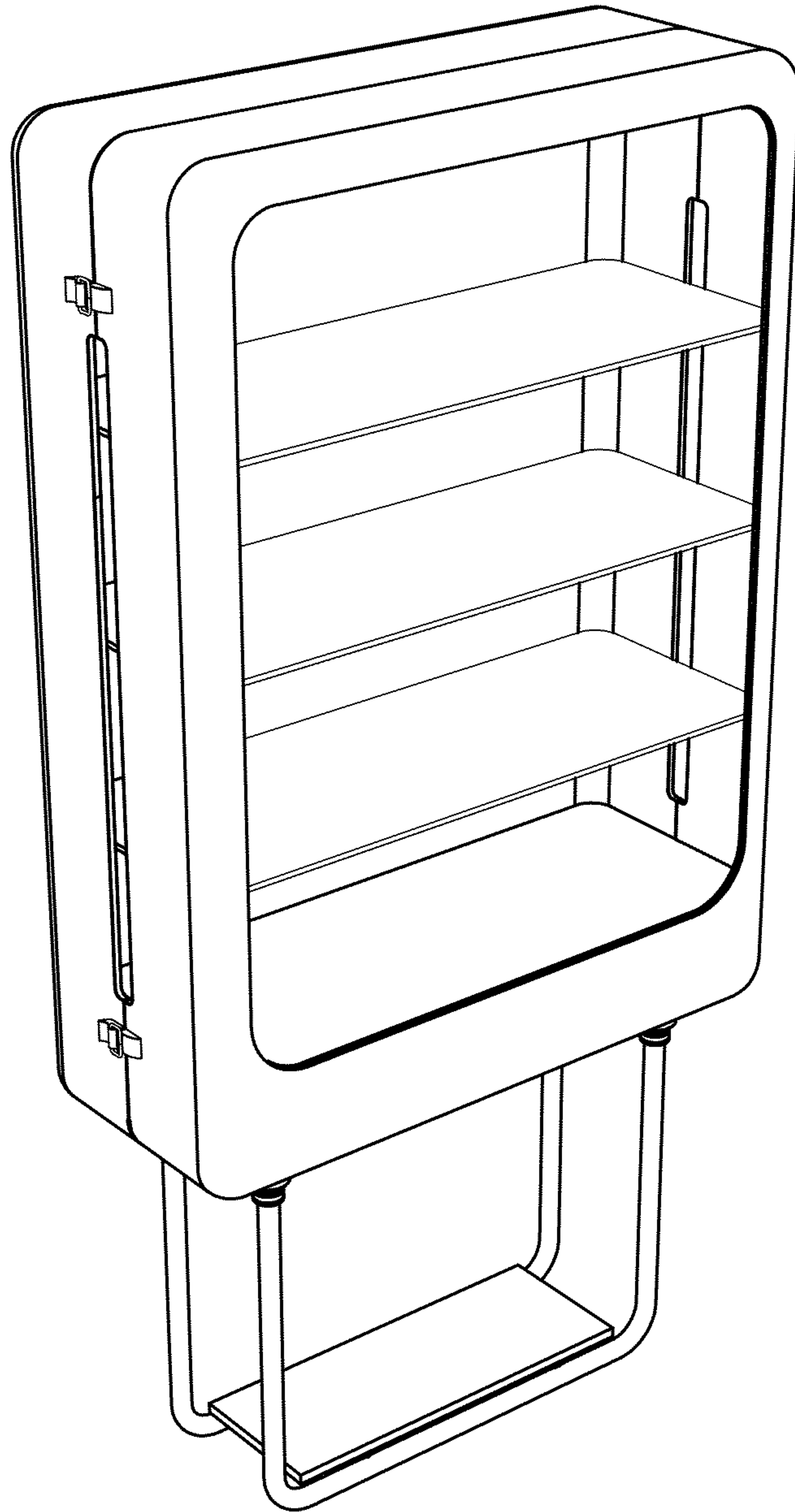


Fig. 1

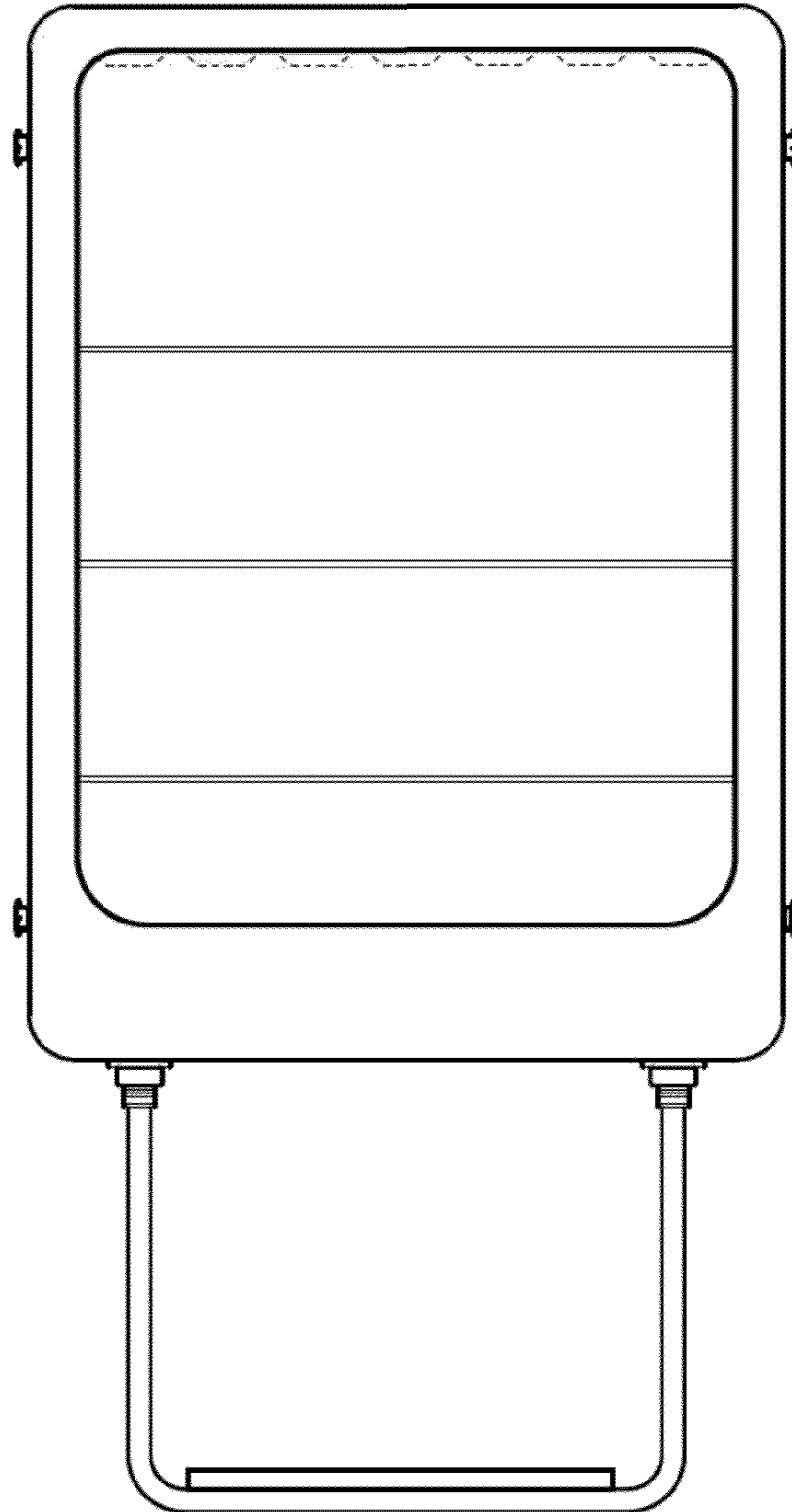


Fig. 2

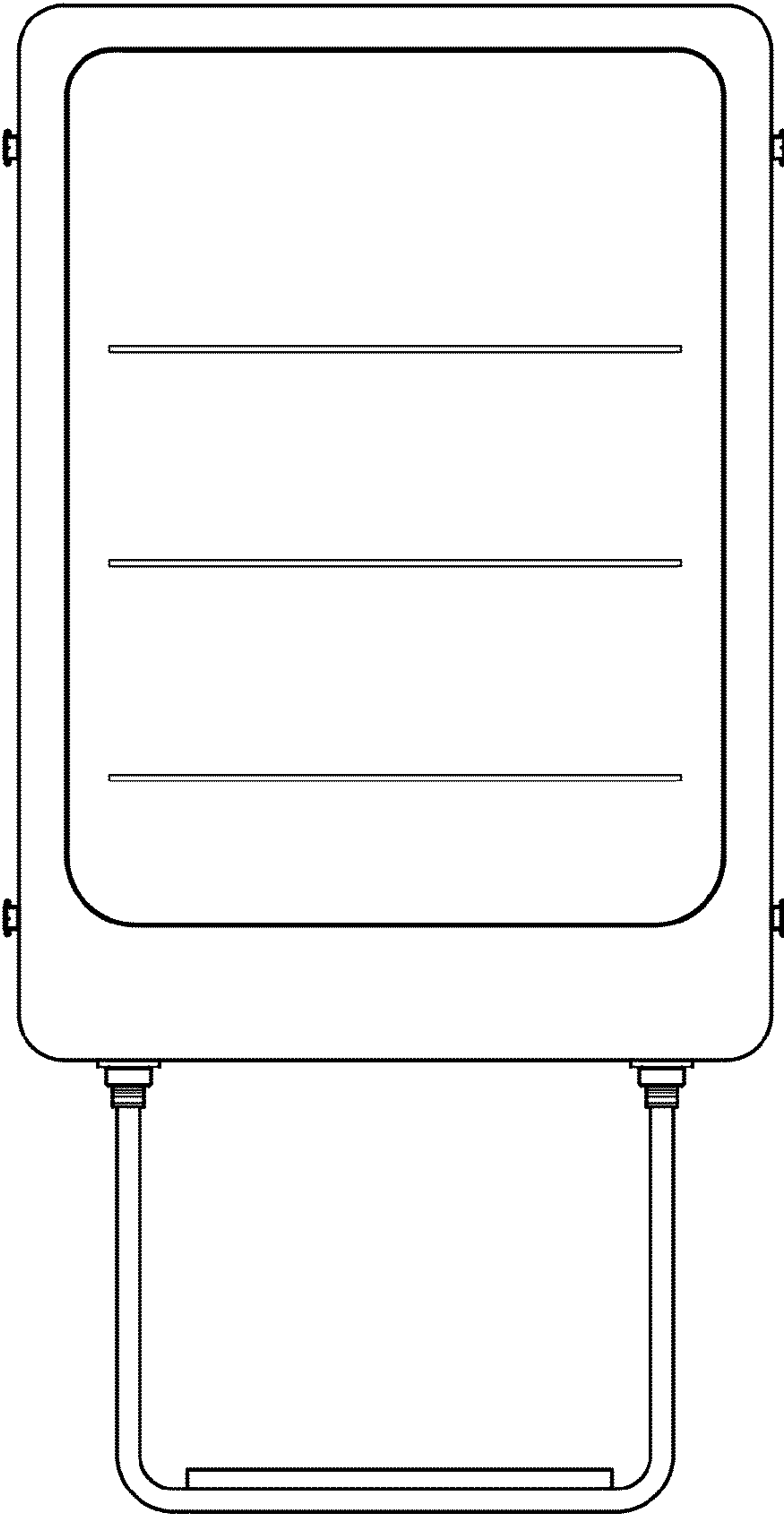


Fig. 3

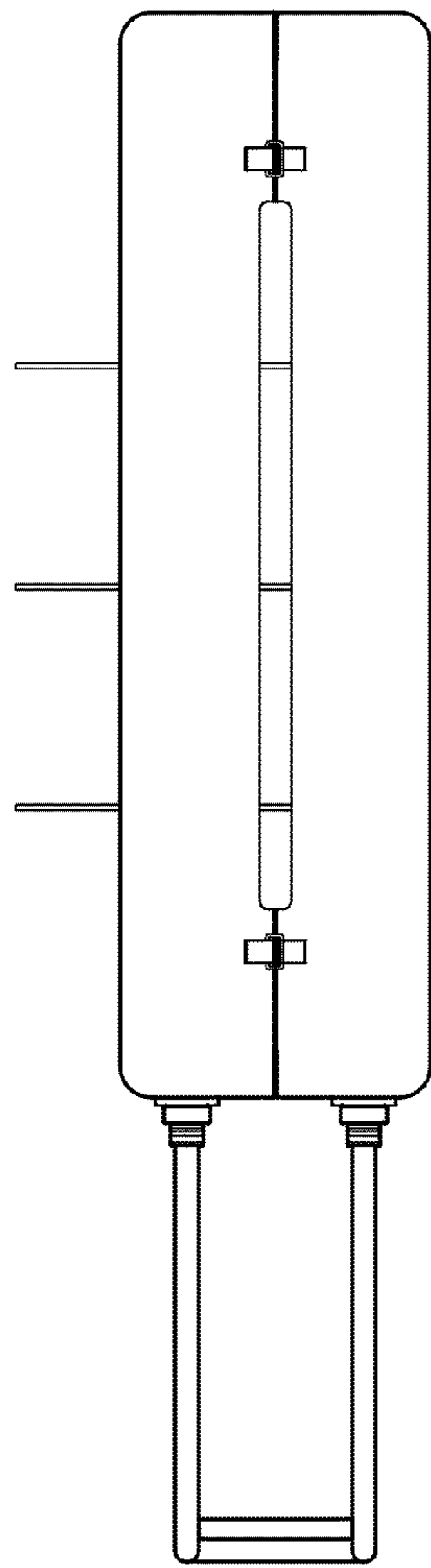


Fig. 4

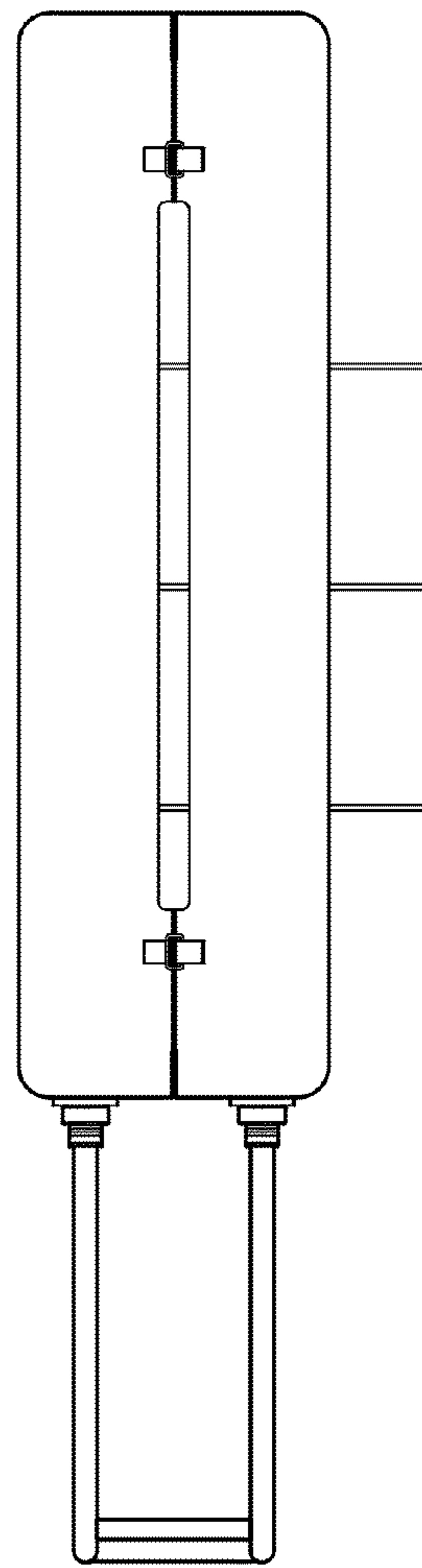


Fig. 5



Fig. 6

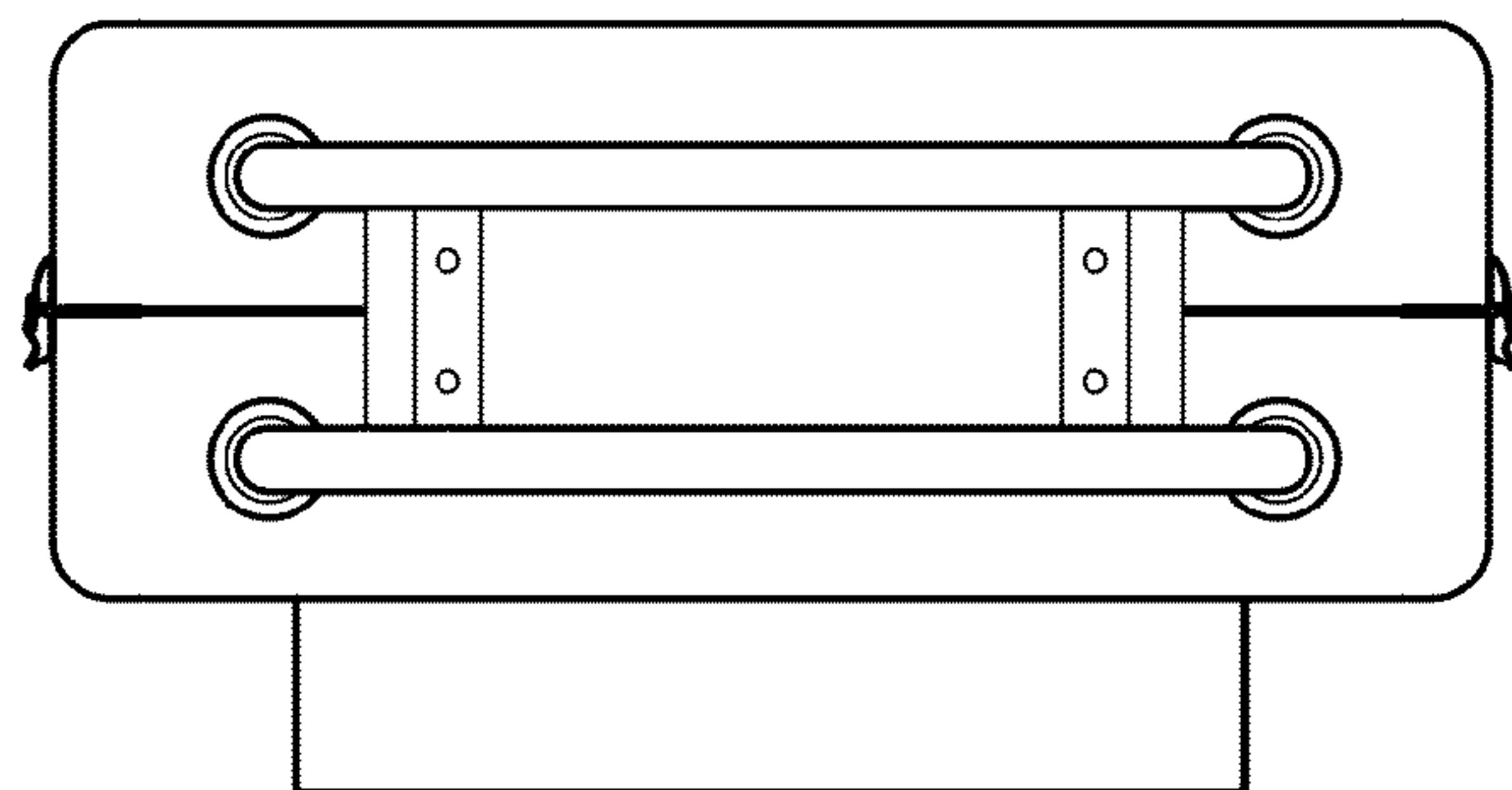


Fig. 7