



US00D712684S

(12) **United States Design Patent**
Shiheiber

(10) **Patent No.:** **US D712,684 S**

(45) **Date of Patent:** **** *Sep. 9, 2014**

(54) **SPORTS TOWEL**

(71) Applicant: **Ibrahim Shiheiber**, Daly City, CA (US)

(72) Inventor: **Ibrahim Shiheiber**, Daly City, CA (US)

(*) Notice: This patent is subject to a terminal disclaimer.

(**) Term: **14 Years**

(21) Appl. No.: **29/466,414**

(22) Filed: **Sep. 6, 2013**

Related U.S. Application Data

(63) Continuation-in-part of application No. 29/456,263, filed on May 29, 2013.

(51) **LOC (10) Cl.** **06-09**

(52) **U.S. Cl.**
USPC **D6/608**

(58) **Field of Classification Search**
USPC D6/595, 596, 608; 5/417-420; 15/208, 15/209.1
See application file for complete search history.

(56) **References Cited**

U.S. PATENT DOCUMENTS

1,607,366 A 11/1926 Reitzs
2,754,532 A 7/1956 Kanehl et al.

3,862,876 A * 1/1975 Graves 428/83
4,037,340 A 7/1977 Owensmith
D316,648 S * 5/1991 McHale et al. D6/603
D596,439 S * 7/2009 Hall D6/608
D620,741 S * 8/2010 Pride-Darrington et al. .. D6/608
D681,383 S * 5/2013 Derman et al. D6/603
D699,481 S * 2/2014 Doherty D6/582
2012/0047782 A1 3/2012 Mishan

* cited by examiner

Primary Examiner — Janice Seeger

(74) *Attorney, Agent, or Firm* — QuickPatents; Kevin Prince

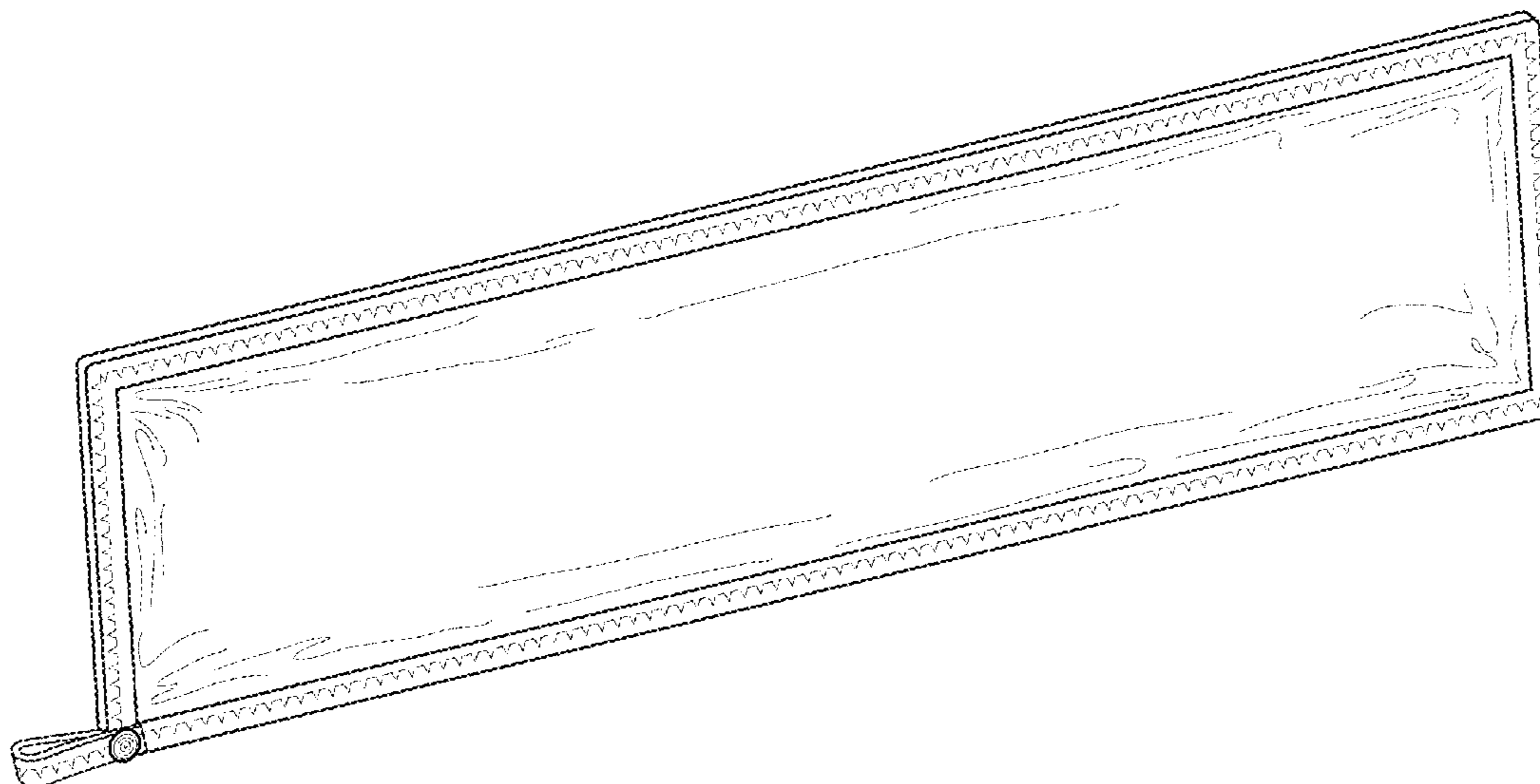
(57) **CLAIM**

I claim the ornamental design for a sports towel, as shown and described.

DESCRIPTION

FIG. 1 is a perspective view of a sports towel, showing my new design;
FIG. 2 is a front elevational view thereof;
FIG. 3 is a rear elevational view thereof;
FIG. 4 is a left-side elevational view thereof;
FIG. 5 is a right-side elevational view thereof;
FIG. 6 is a top plan view thereof; and,
FIG. 7 is a bottom plan view thereof.

1 Claim, 3 Drawing Sheets



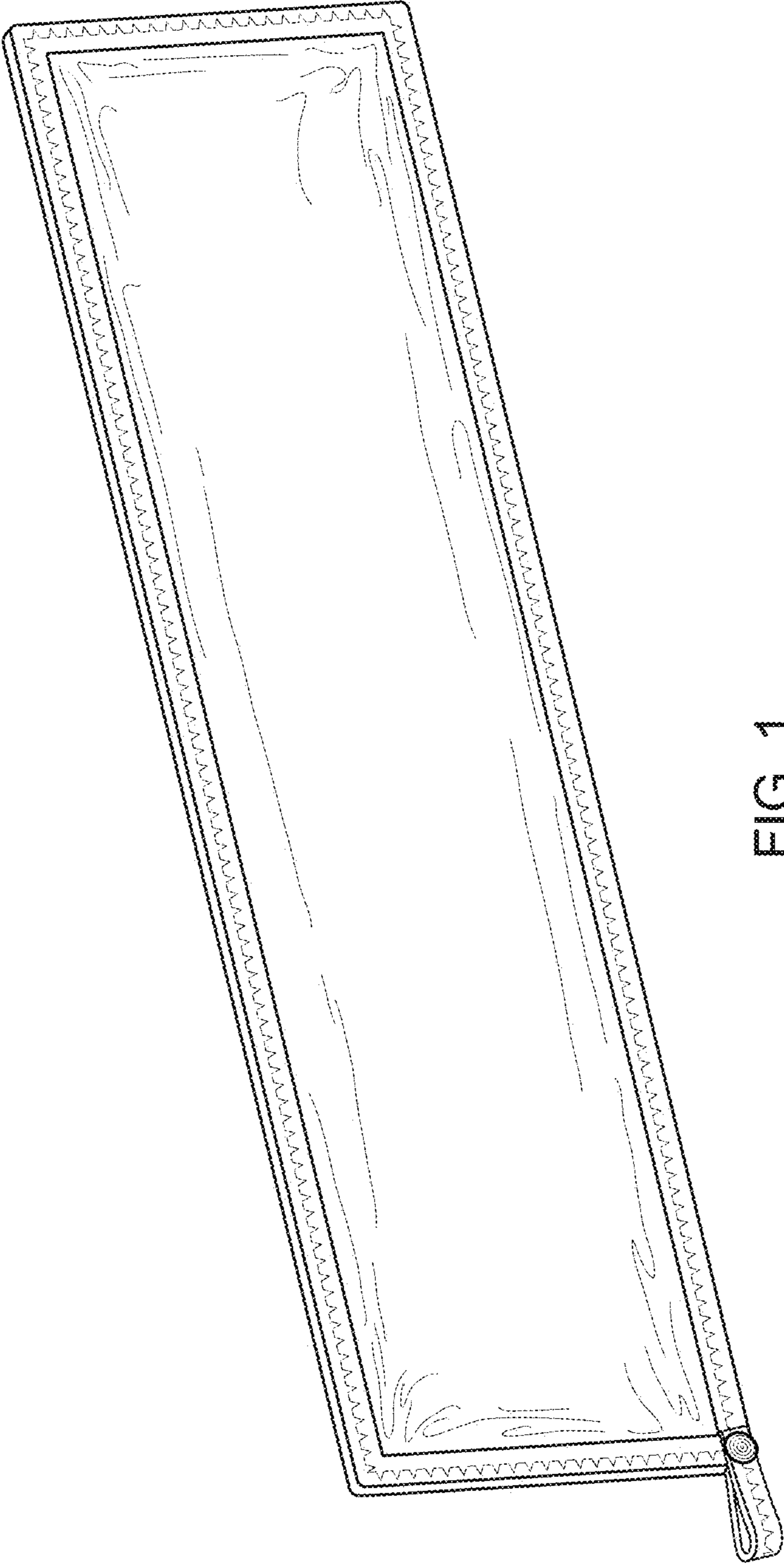


FIG. 1

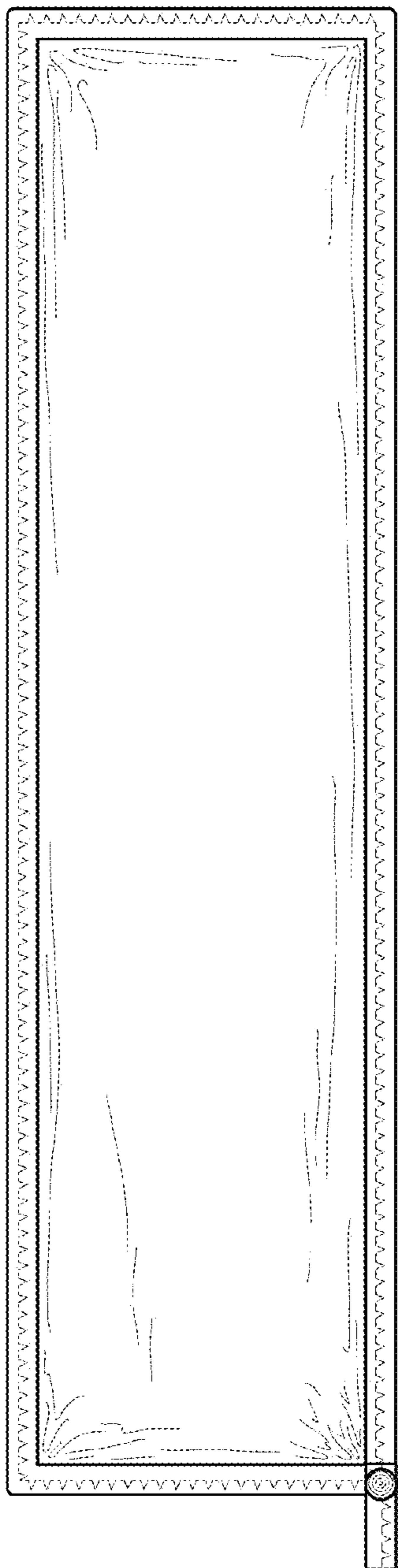


FIG. 2

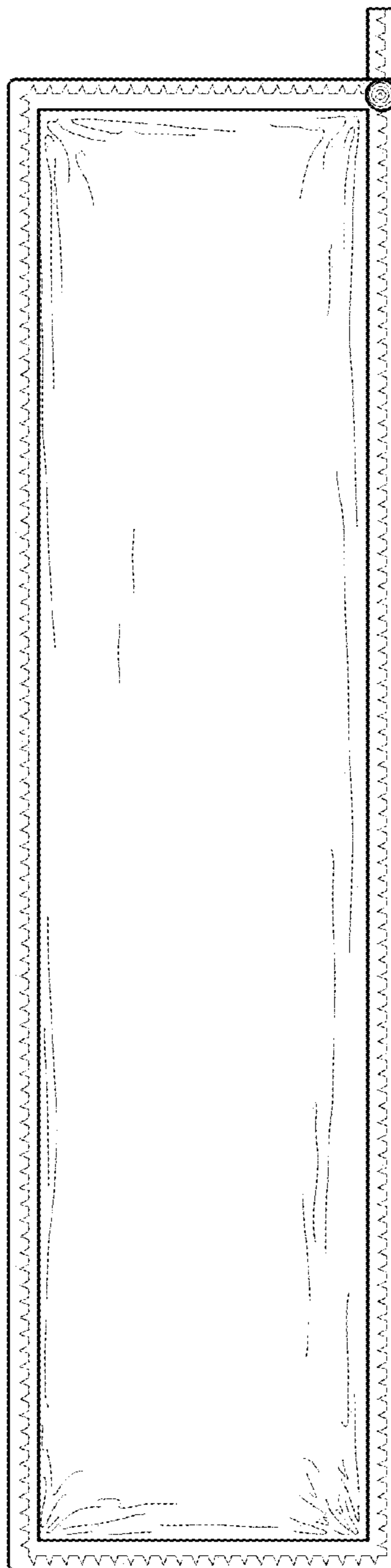


FIG. 3

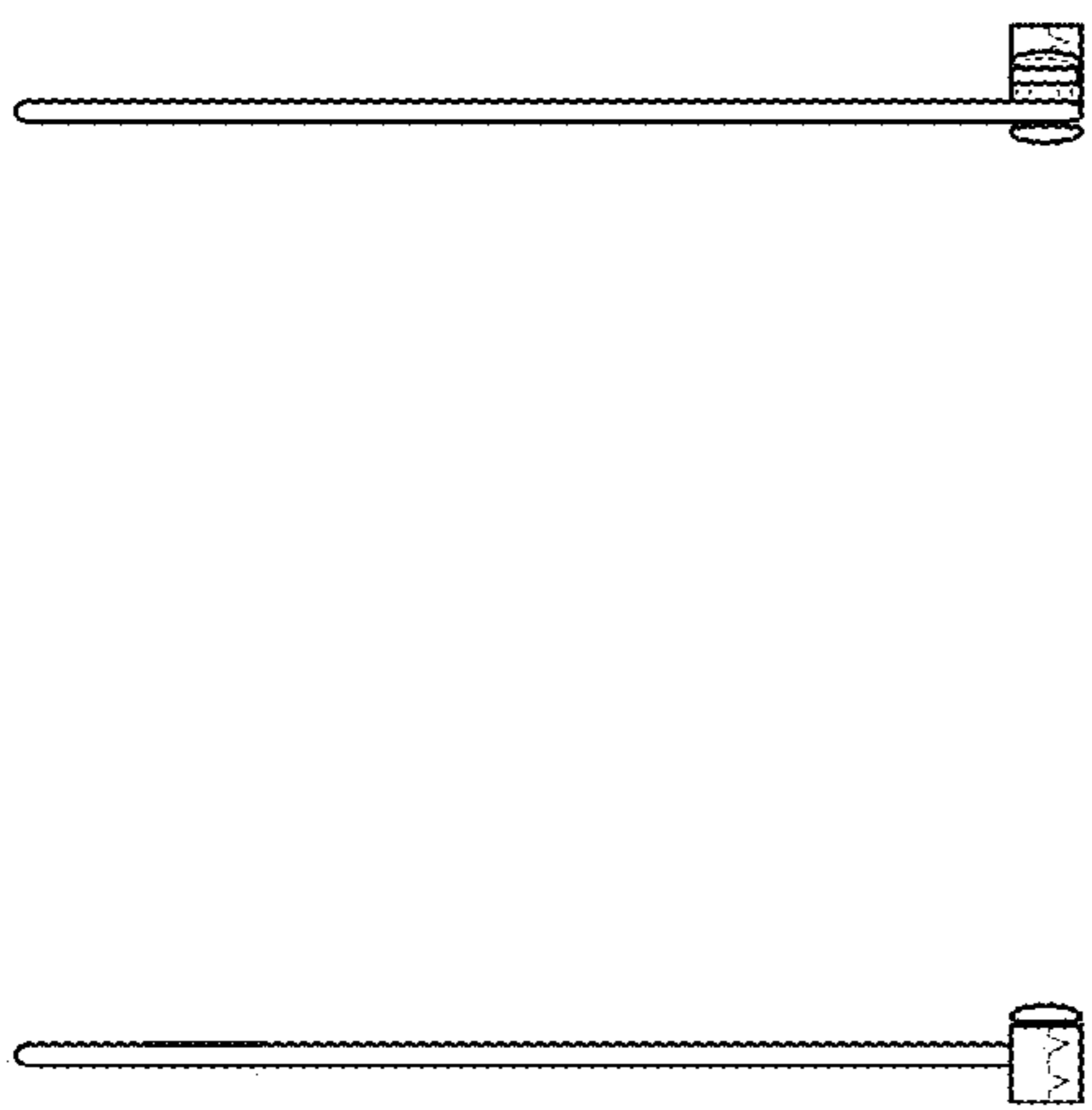


FIG. 4

FIG. 5

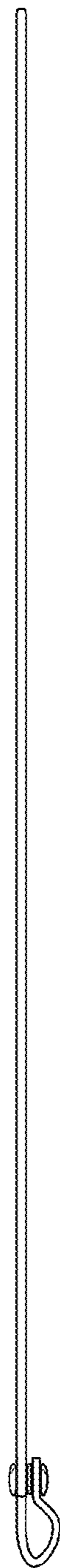


FIG. 6



FIG. 7