



US00D712683S

(12) **United States Design Patent**
Faubion

(10) **Patent No.:** **US D712,683 S**

(45) **Date of Patent:** **** Sep. 9, 2014**

(54) **TOWEL**
(71) Applicant: **KTOS Apparel, LLC**, Lewisville, TX (US)

5,729,846 A 3/1998 Sullivan
5,774,912 A 7/1998 Dominique
5,785,219 A 7/1998 Kraft

(Continued)

(72) Inventor: **Shelby Faubion**, Lewisville, TX (US)

FOREIGN PATENT DOCUMENTS

(73) Assignee: **KTOS Apparel, LLC**, Lewisville, TX (US)

GB 000427547-0001 12/2005

Primary Examiner — Janice Seeger

(**) Term: **14 Years**

(74) *Attorney, Agent, or Firm* — Edwin S. Flores

(21) Appl. No.: **29/450,809**

(57) **CLAIM**

The ornamental design for a towel, as shown and described.

(22) Filed: **Mar. 22, 2013**

DESCRIPTION

(51) **LOC (10) Cl.** **06-09**

(52) **U.S. Cl.**
USPC **D6/608**; D6/596

(58) **Field of Classification Search**
USPC D6/595, 596, 608; 5/417-420, 485;
15/208, 209.1; D3/233, 246; 383/4;
297/229

FIG. 1 is a perspective view of a towel;
FIG. 2 is a top view of the towel illustrated in FIG. 1;
FIG. 3 is a bottom view of the towel illustrated in FIG. 1;
FIGS. 4 and 5 are side views of the towel illustrated in FIG. 1;
FIGS. 6 and 7 are end views of the towel illustrated in FIG. 1;
FIG. 8 is a perspective view of the towel in FIG. 1 in an environment;
FIG. 9 is a perspective view of the towel in FIG. 1 in an alternate environment;
FIG. 10 is a perspective view of the towel in FIG. 1 in a second alternate environment; and,
FIG. 11 is a perspective view of the towel in FIG. 1 in folded condition.

See application file for complete search history.

A towel that may be used alone or in combination with two or more similar towels, that may be used to store items, to be draped over a lounging chair, and may be folded for ease of storage and transportation.

(56) **References Cited**

U.S. PATENT DOCUMENTS

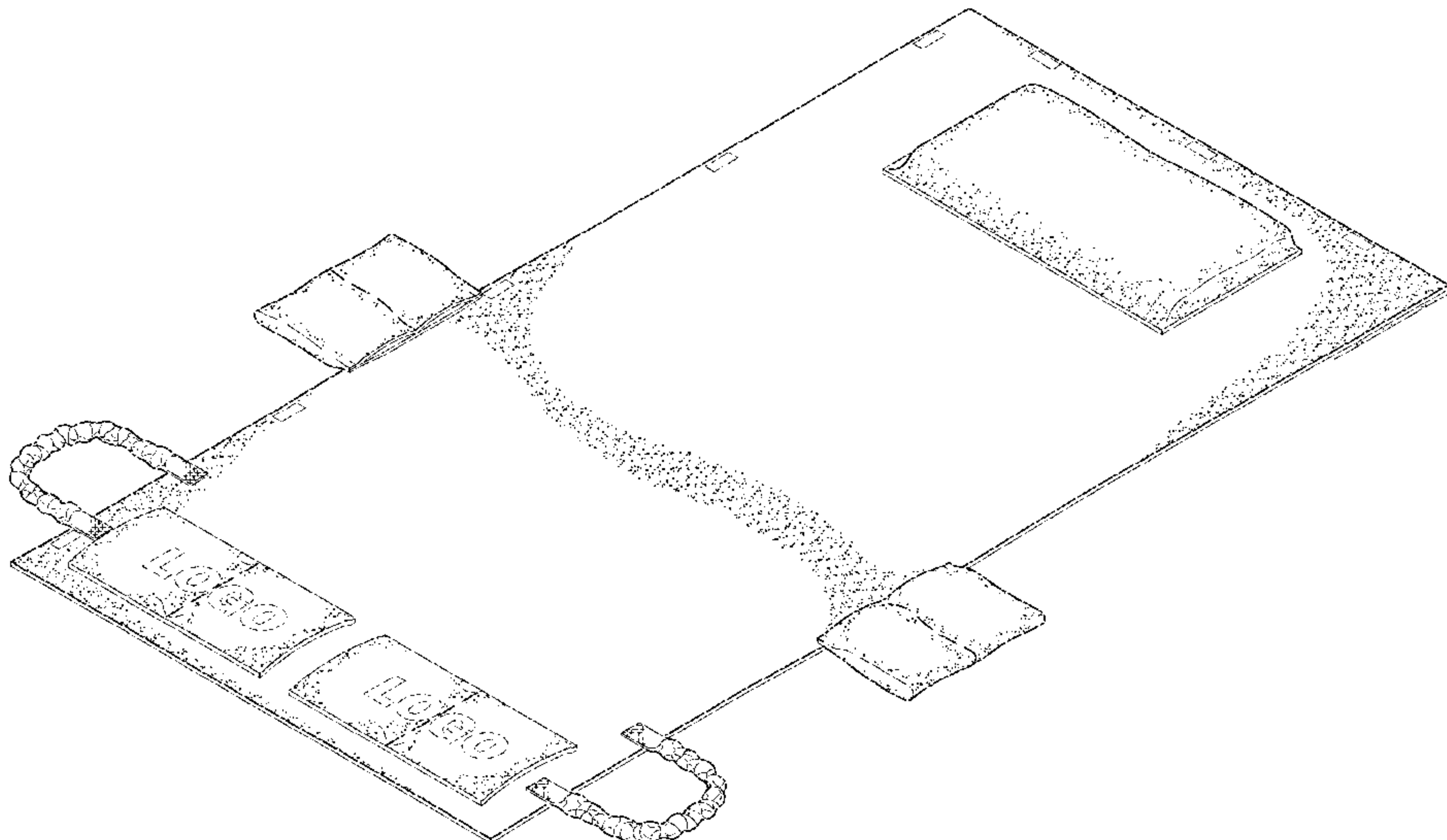
2,033,840 A *	3/1936	Le Fevre	15/227
4,097,944 A *	7/1978	Yulish	5/419
4,231,125 A	11/1980	Tittl	
4,634,618 A	1/1987	Greer et al.	
4,844,540 A	7/1989	Pegram	
5,018,229 A	5/1991	Eberhart	
5,072,467 A	12/1991	Hunt	
D341,285 S *	11/1993	Kraus	D6/608
5,361,435 A	11/1994	Reeves	
5,406,659 A	4/1995	Camp	
5,443,880 A	8/1995	Wike	
5,499,411 A	3/1996	Wong	
5,622,300 A *	4/1997	Robinson	224/575
5,644,807 A	7/1997	Battistella	

The broken line showing the hook and loop fasteners are for environmental purposes only and form no part of the claimed design.

The broken line showing the hook and loop fasteners depict stitching.

The broken lines in FIGS. 8 and 9 are for environmental purposes only and form no part of the claimed design.

1 Claim, 9 Drawing Sheets



(56)

References Cited

U.S. PATENT DOCUMENTS

6,192,536 B1	2/2001	Connors	6,859,960 B1 *	3/2005	Jerome	5/413 R
D440,805 S *	4/2001	Rogone et al.	D614,431 S *	4/2010	Sands	D6/608
6,276,828 B1	8/2001	Otley et al.	2006/0010598 A1	1/2006	Connors	
			2006/0117480 A1	6/2006	Younce	

* cited by examiner

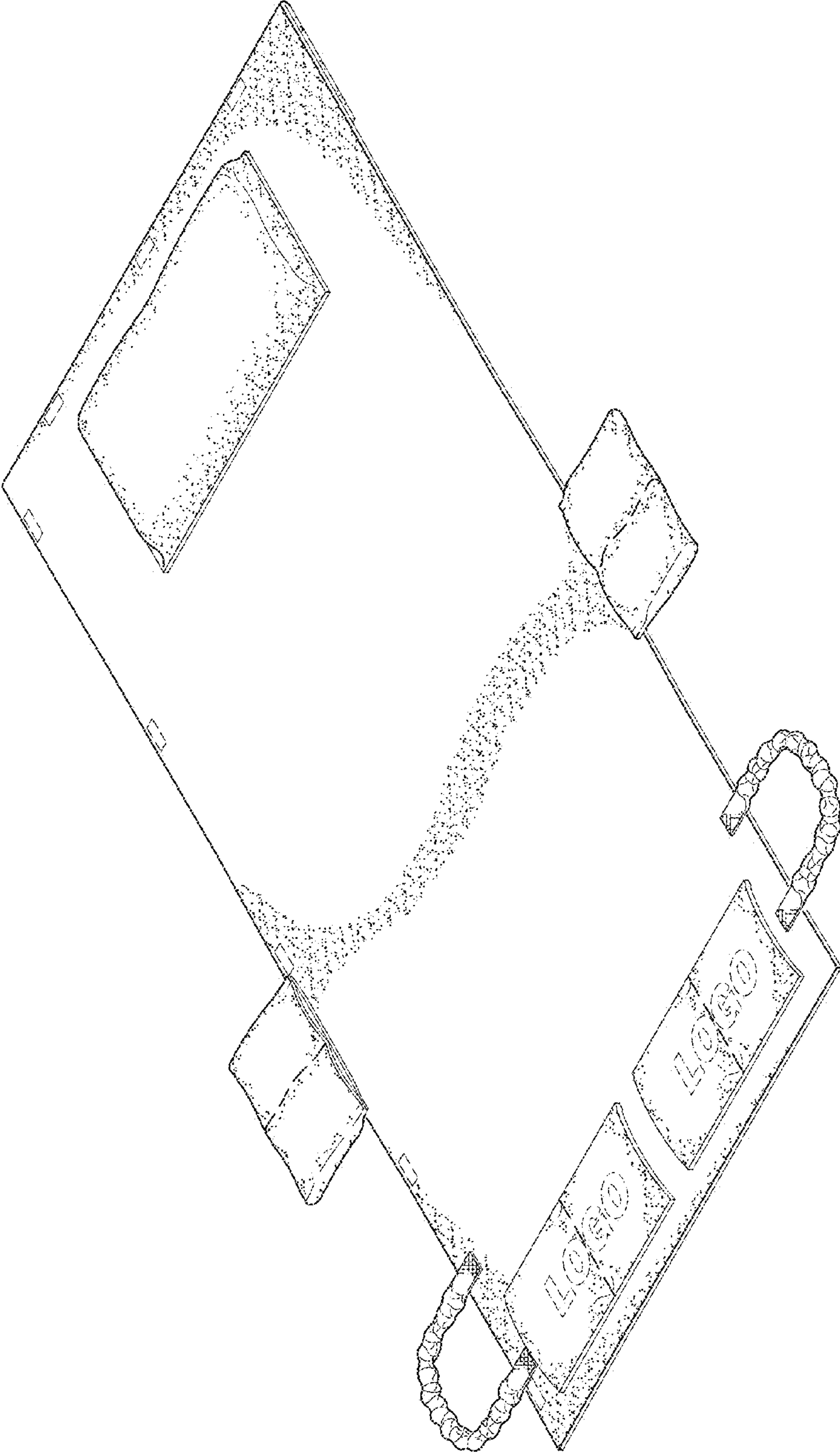


FIG. 1

FIG. 2

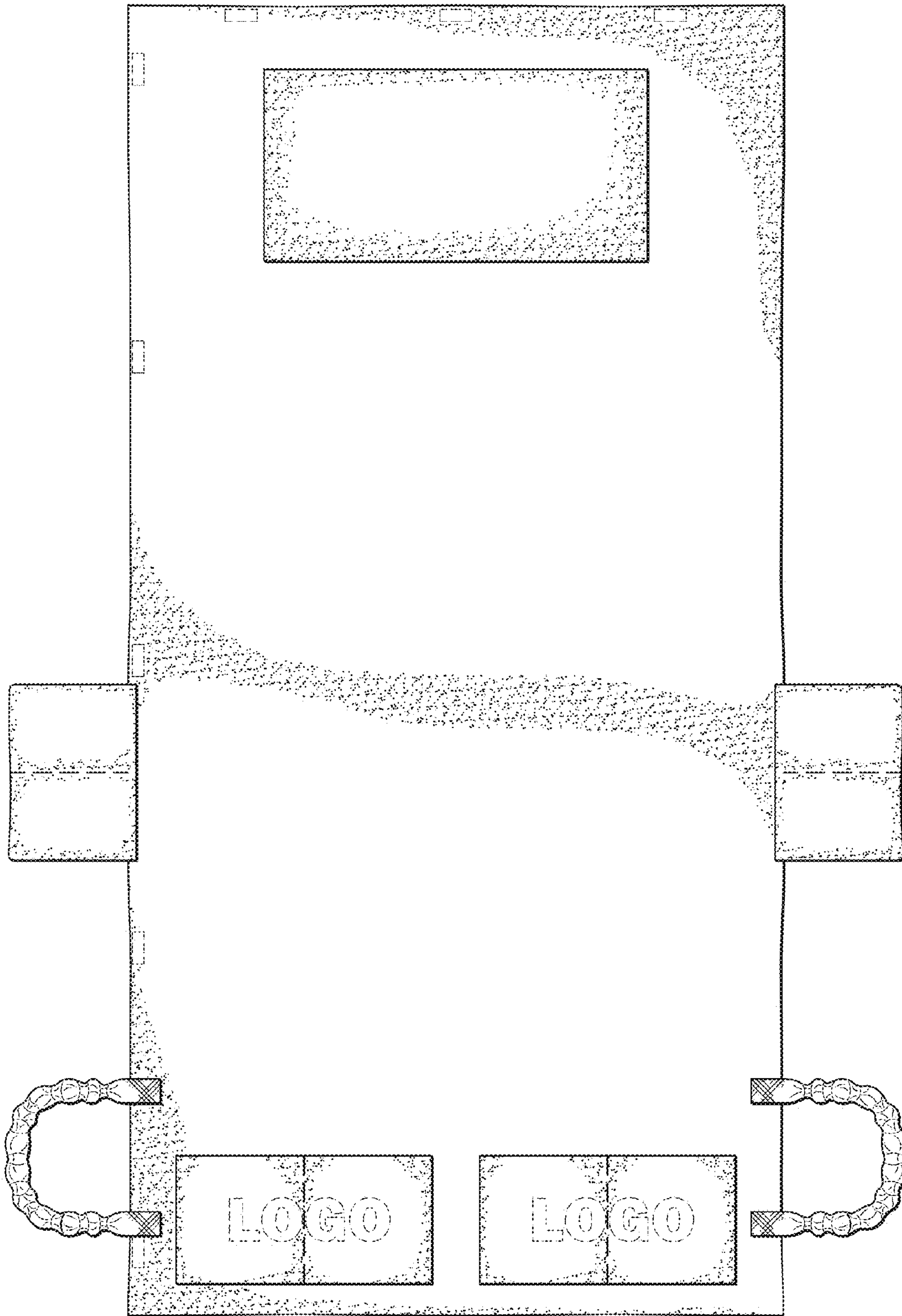


FIG. 3

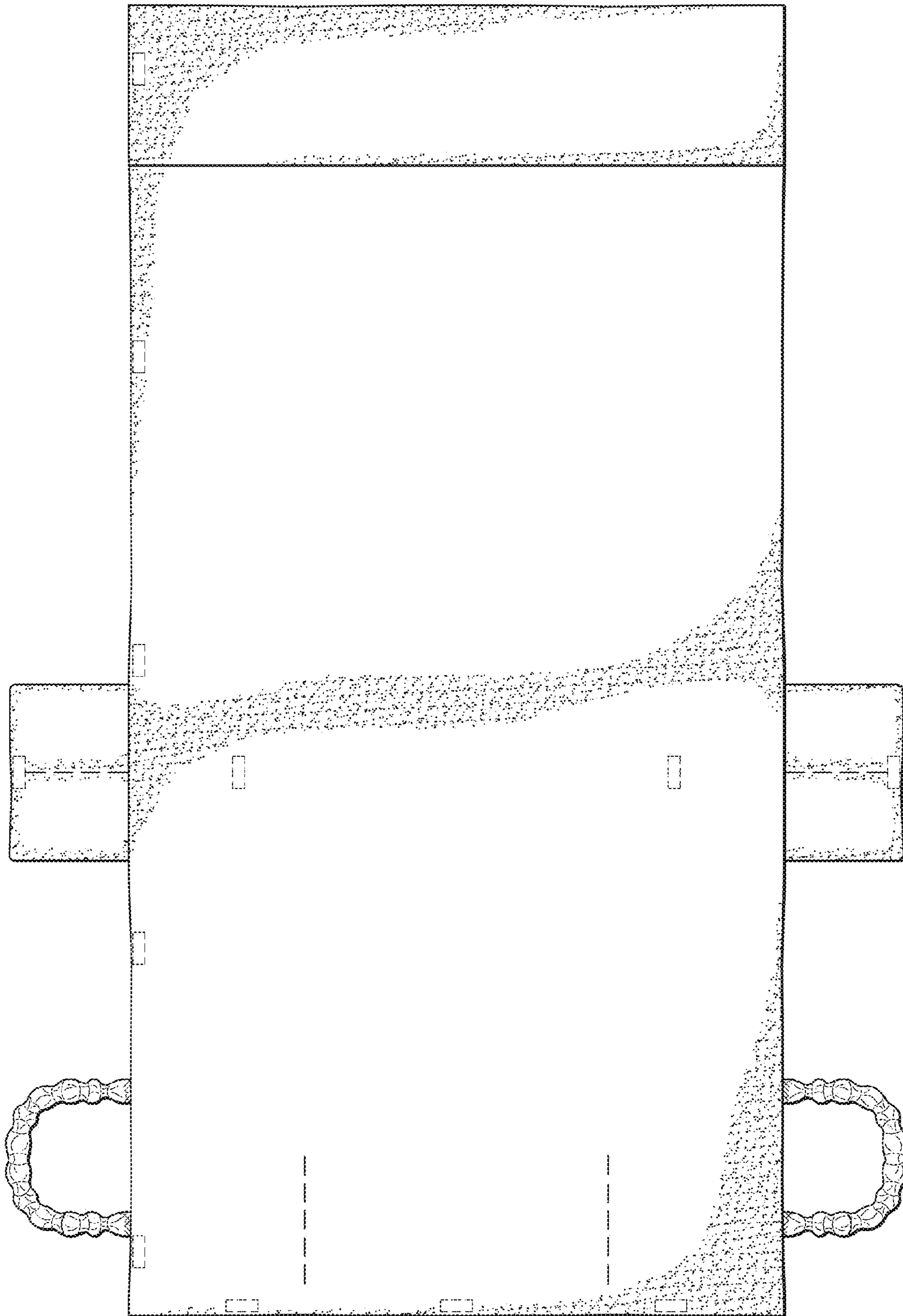




FIG. 4



FIG. 5

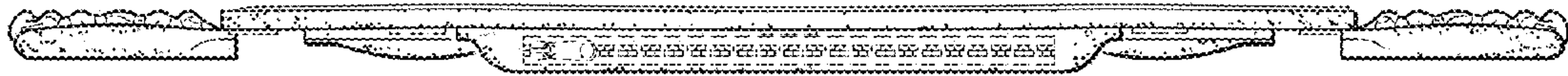


FIG. 6

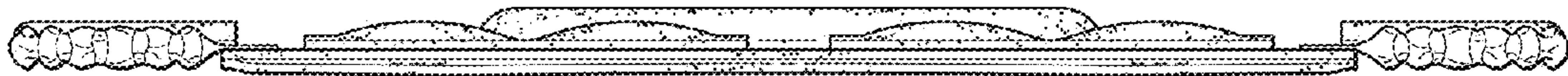


FIG. 7

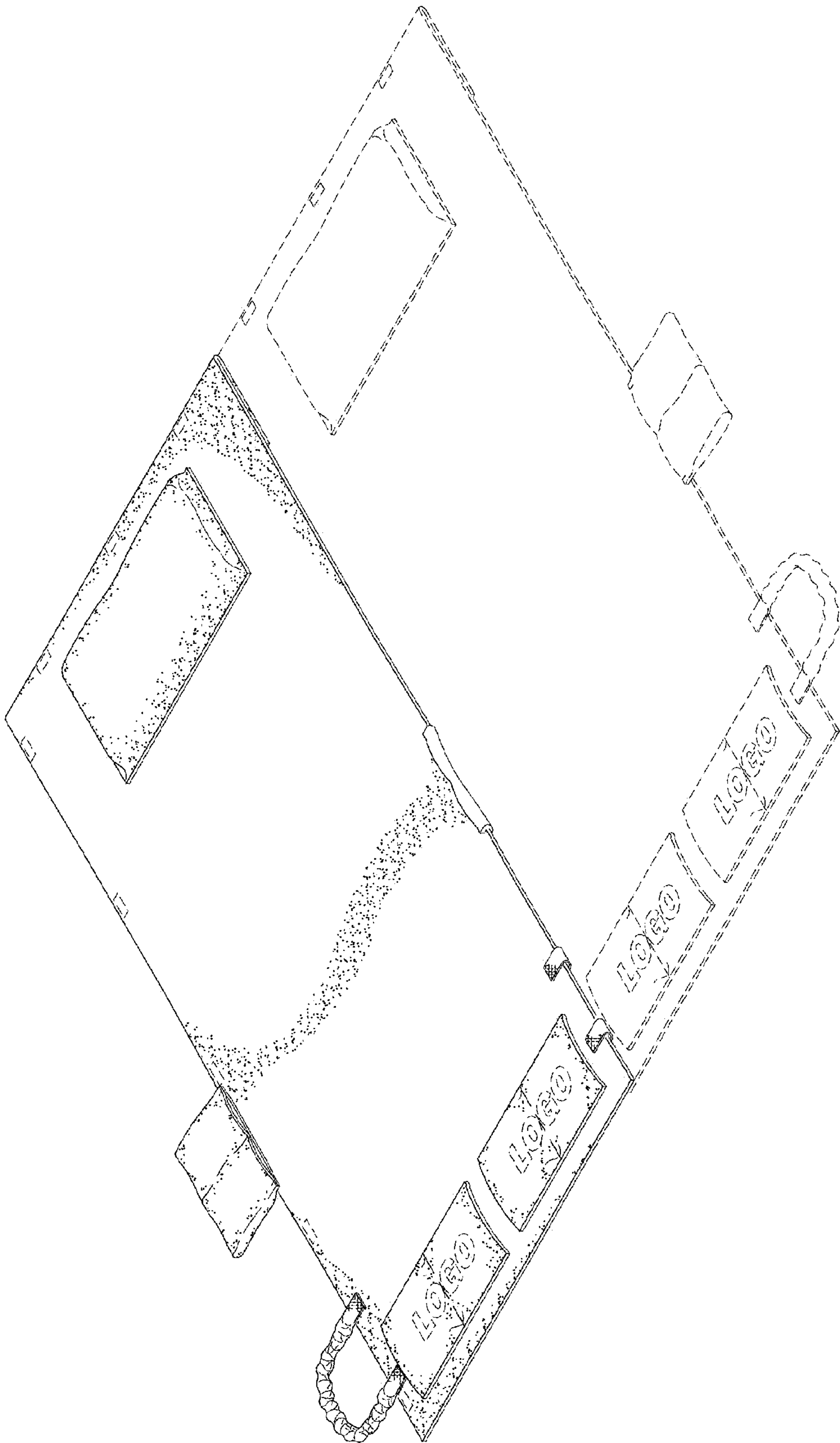


FIG. 8

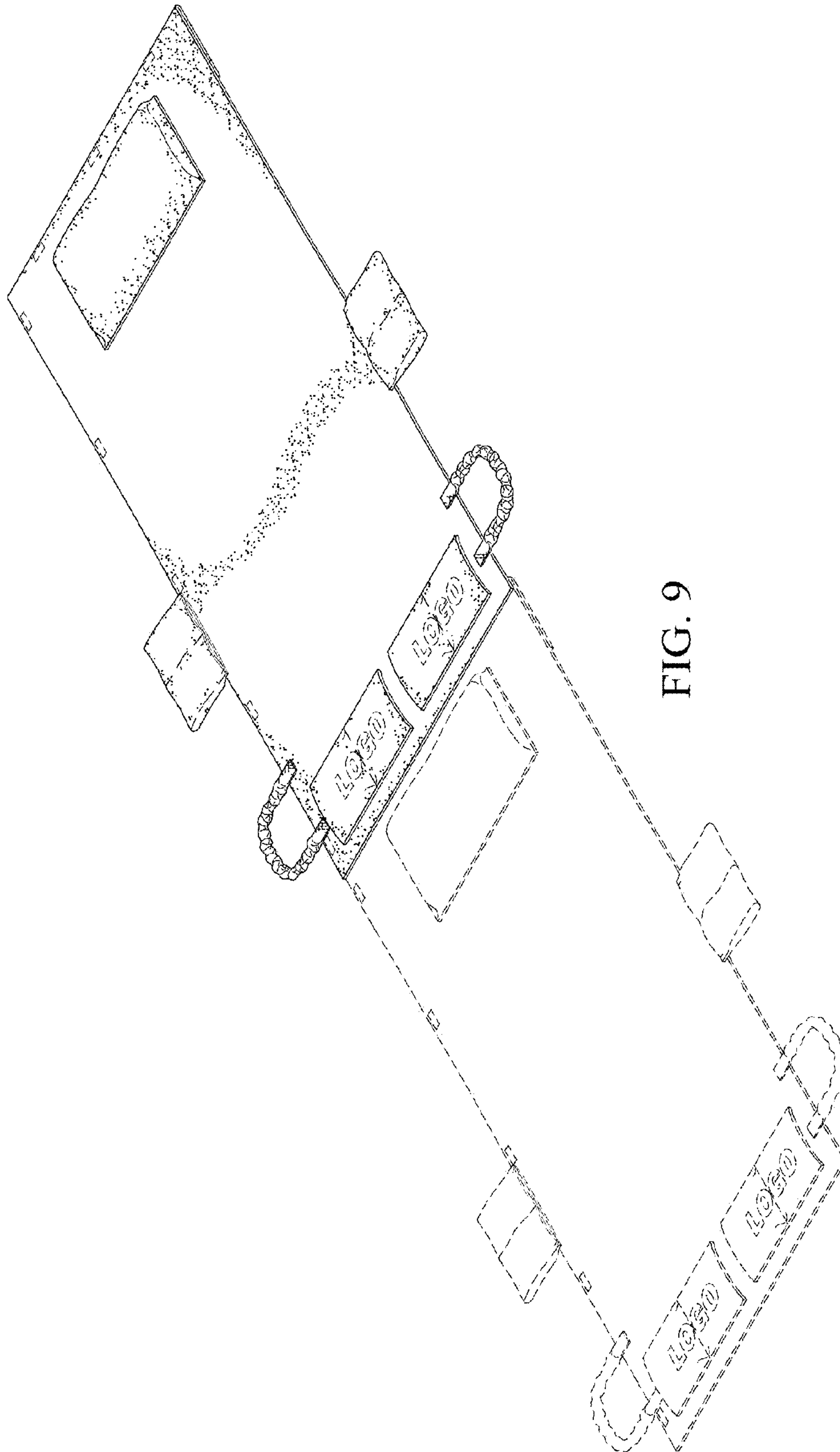


FIG. 9

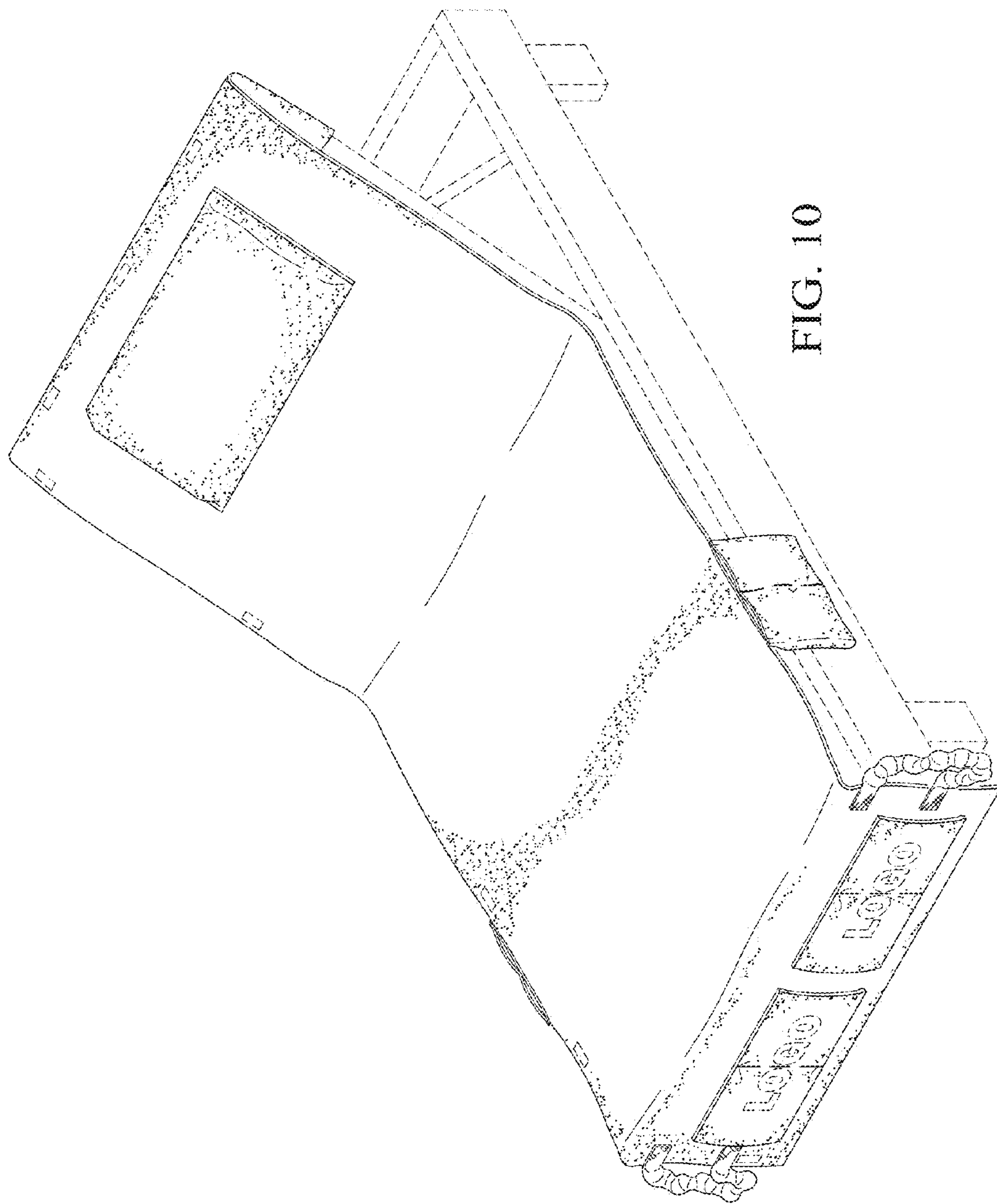


FIG. 10

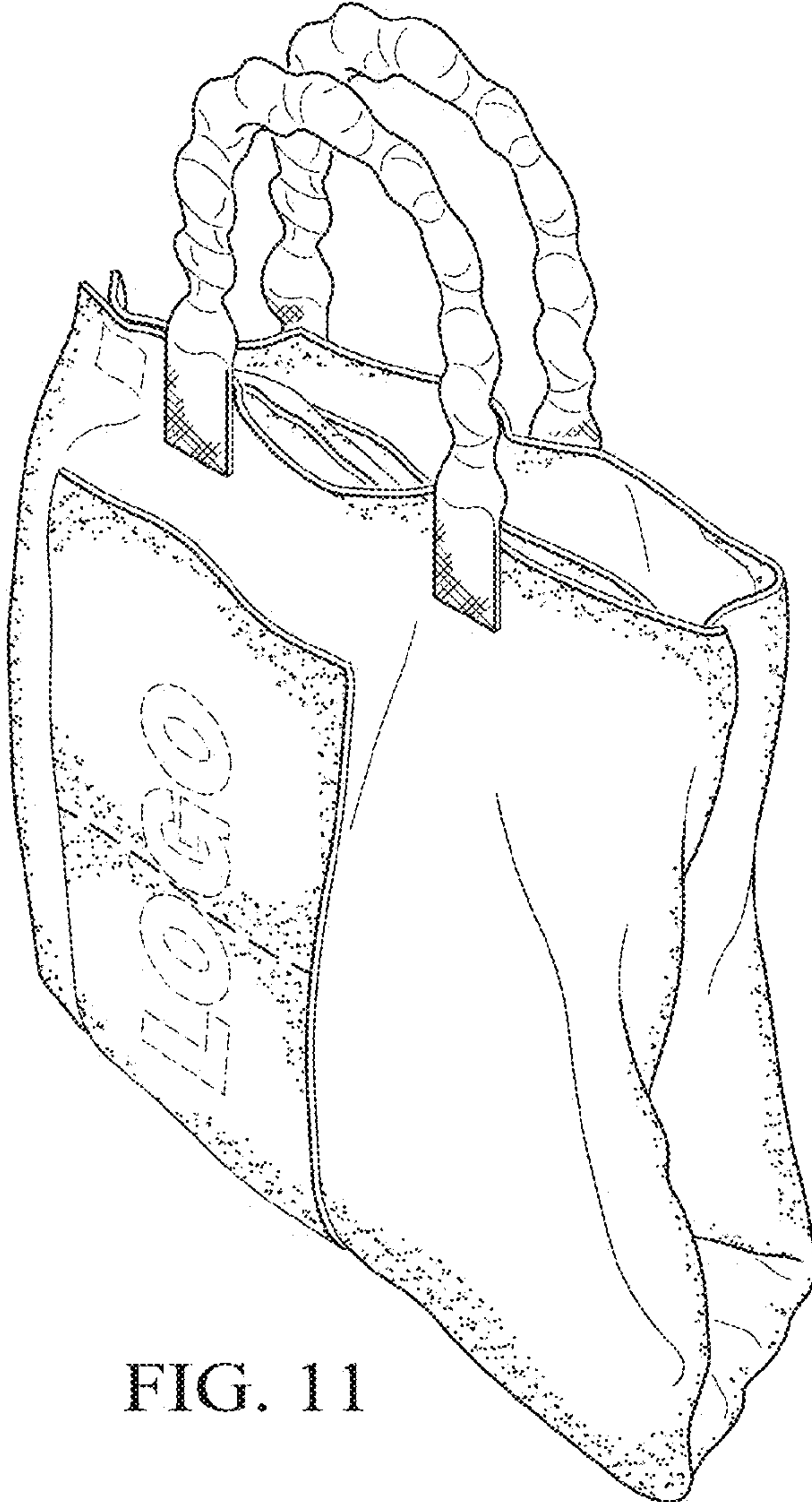


FIG. 11