



US00D712679S

(12) **United States Design Patent**
Collins

(10) **Patent No.:** **US D712,679 S**

(45) **Date of Patent:** **** Sep. 9, 2014**

(54) **MULTI-FUNCTIONAL WALL MOUNTED STORAGE**

(71) Applicant: **Liberty Hardware Mfg. Corp.**,
Winston-Salem, NC (US)

(72) Inventor: **Jessina Collins**, Chicago, IL (US)

(73) Assignee: **Liberty Hardware Mfg. Corp.**,
Winston-Salem, NC (US)

(**) Term: **14 Years**

(21) Appl. No.: **29/478,886**

(22) Filed: **Jan. 9, 2014**

(51) **LOC (10) Cl.** **06-04**

(52) **U.S. Cl.**

USPC **D6/569**

(58) **Field of Classification Search**

USPC D6/518-524, 548-550, 574, 567, 569;
D8/300, 303, 315-321, 349, 354, 363,
D8/373, 380; 108/28-29; 211/13.1, 16,
211/60.1, 100, 86.01, 87.01, 88.01, 88.04,
211/105.1-105.2, 123, 182, 181.1;
248/176, 176.1, 251, 302, 309.1;
16/110.1, 412, 415; 242/570, 590,
242/595-598

See application file for complete search history.

(56) **References Cited**

U.S. PATENT DOCUMENTS

D425,315 S *	5/2000	Cassler	D6/573
D459,130 S *	6/2002	Annan	D6/553
D592,436 S *	5/2009	Thompson et al.	D6/574
D636,198 S *	4/2011	Gibbs	D6/513
D639,594 S *	6/2011	Goodman et al.	D6/572
D705,578 S *	5/2014	Schraufnagel et al.	D6/572

* cited by examiner

Primary Examiner — Brian N Vinson

(74) *Attorney, Agent, or Firm* — Lora J. Graentzdoerffer

(57) **CLAIM**

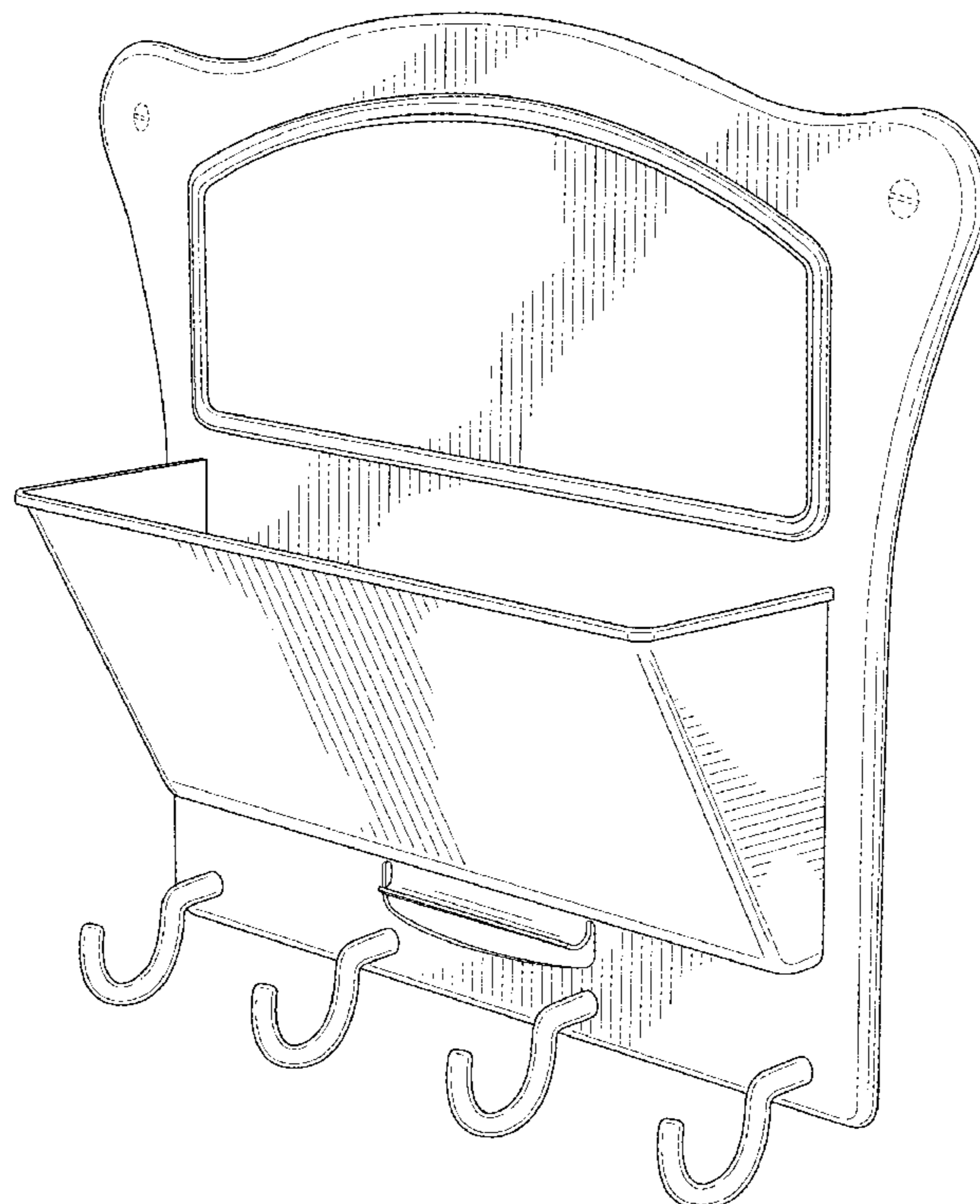
The ornamental design for a multi-functional wall mounted storage, as shown and described.

DESCRIPTION

FIG. 1 is a perspective view of a multi-functional wall mounted storage showing my design; FIG. 2 is a front elevational view; FIG. 3 is a left side elevational view; FIG. 4 is a right side elevational view; FIG. 5 is a top plan view; and, FIG. 6 is a bottom plan view.

The broken lines showing screws are for the purposes of illustrating environment and form no part of the claimed design.

1 Claim, 4 Drawing Sheets



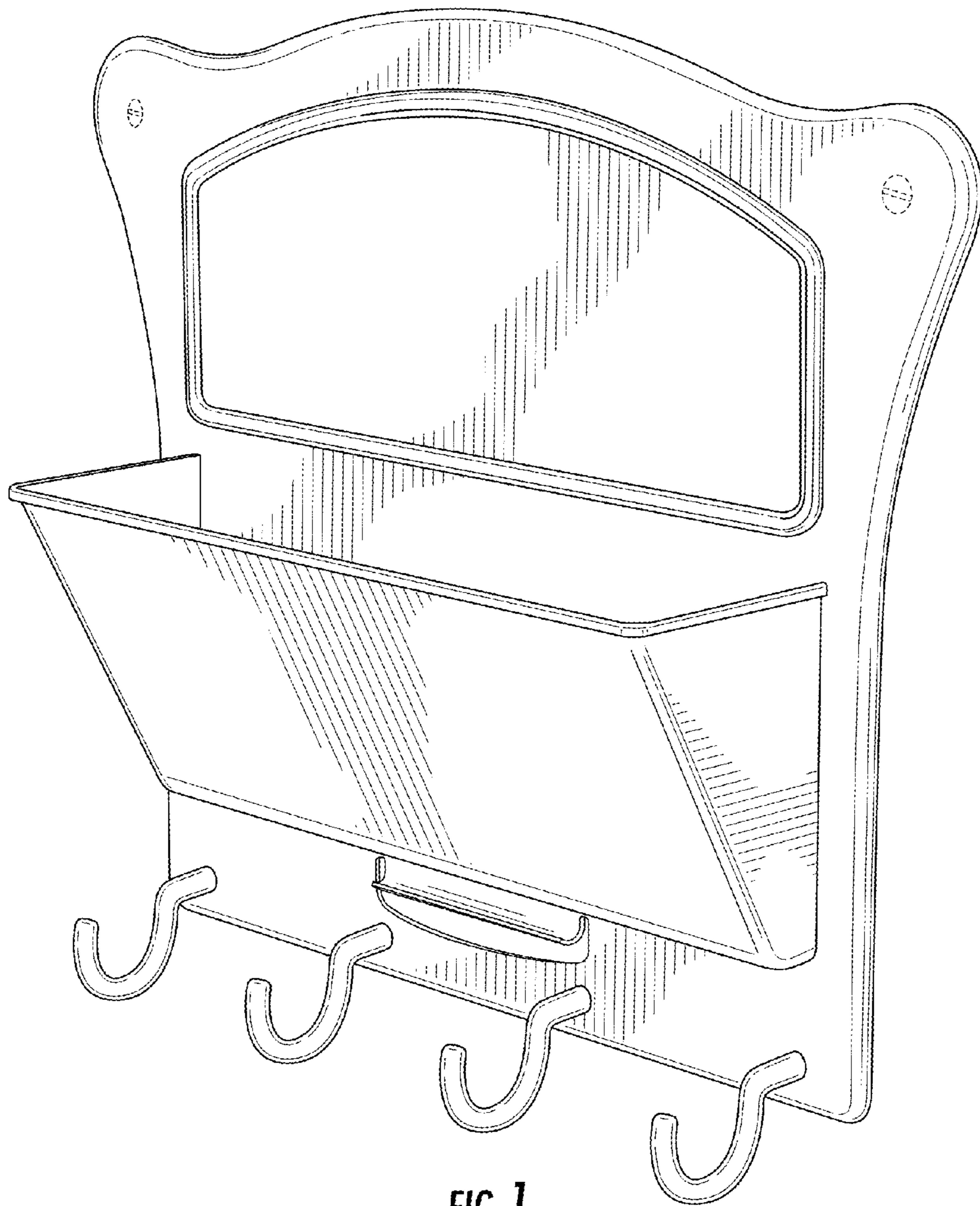


FIG. 1

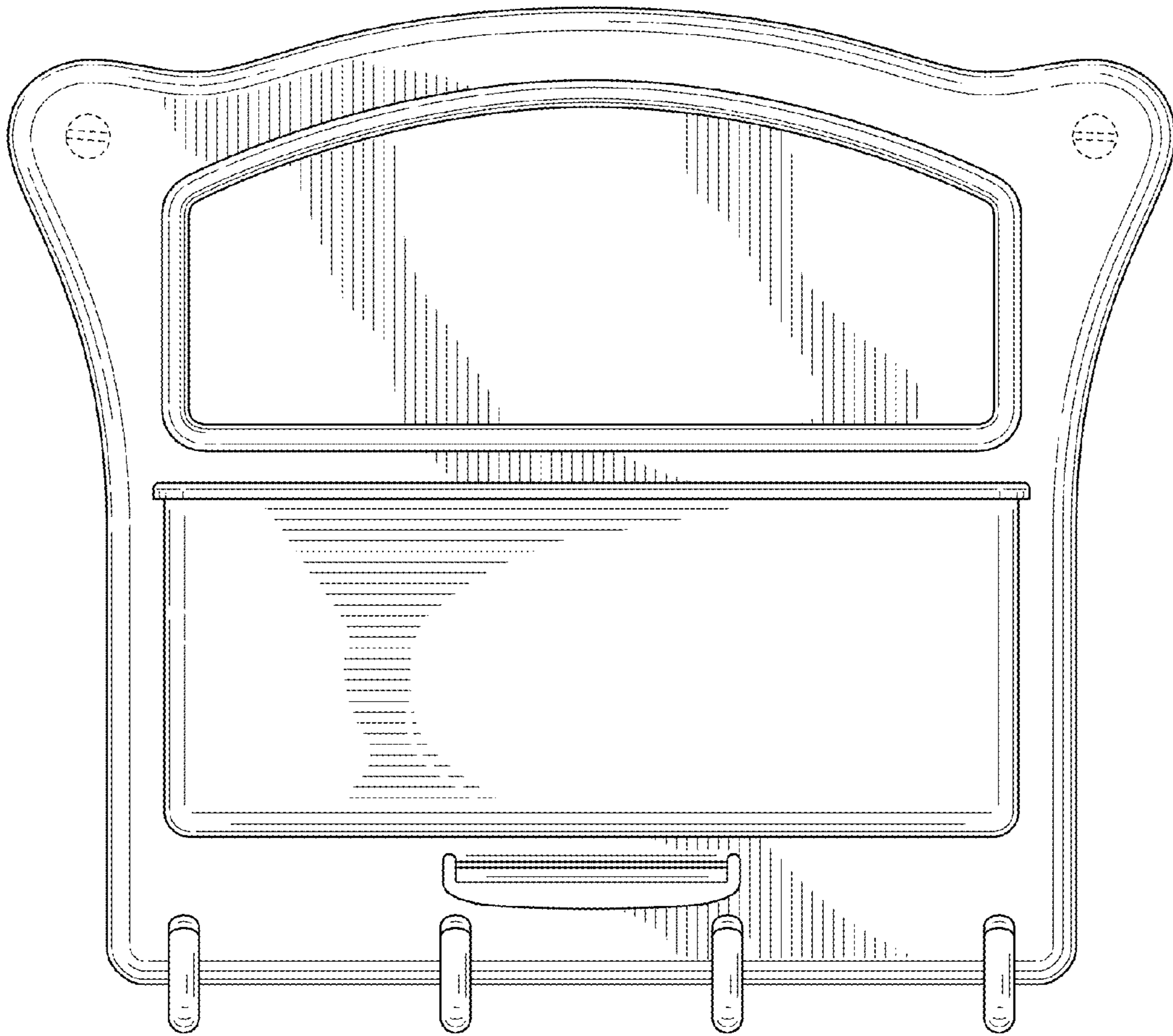


FIG. 2

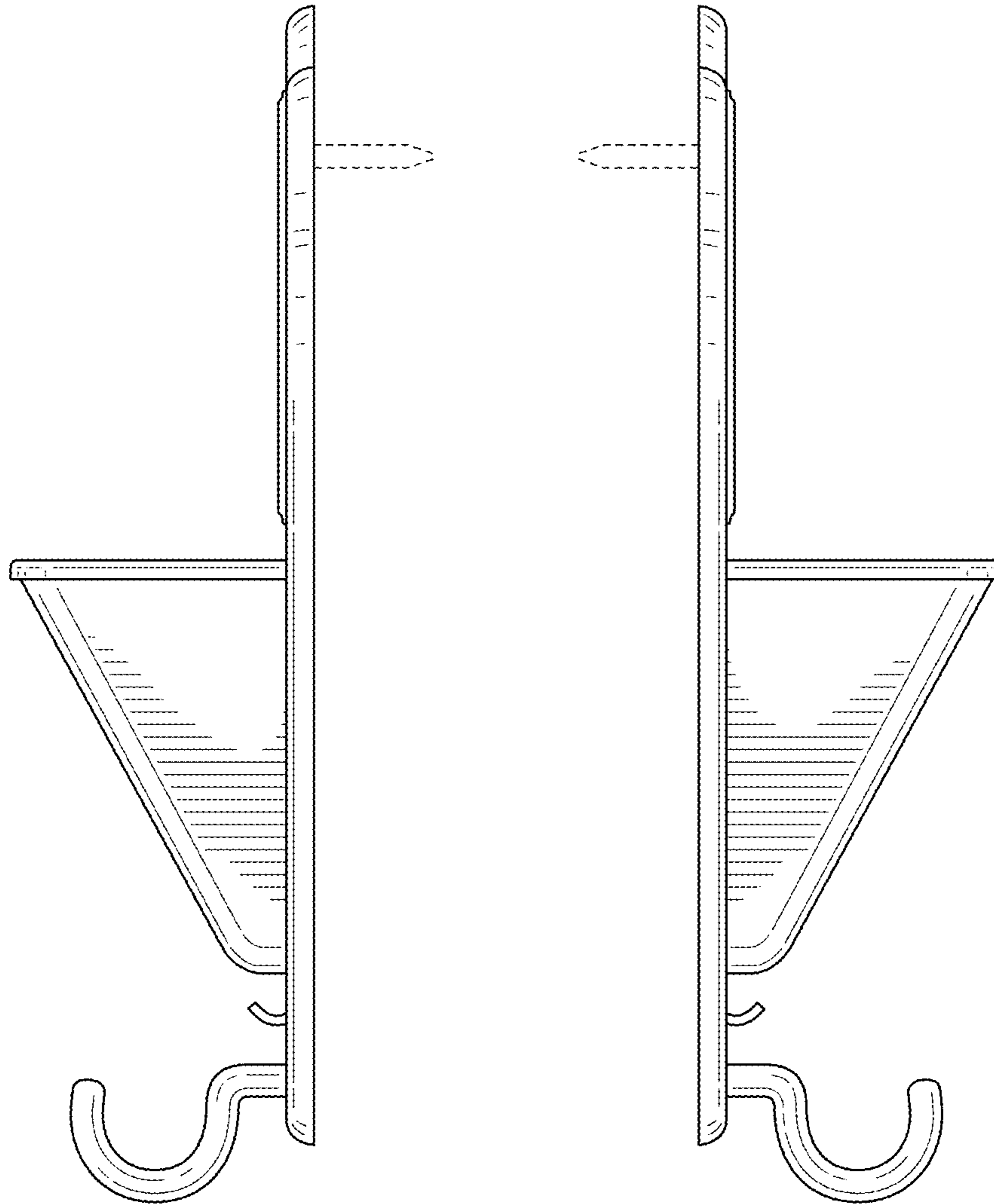


FIG. 3

FIG. 4

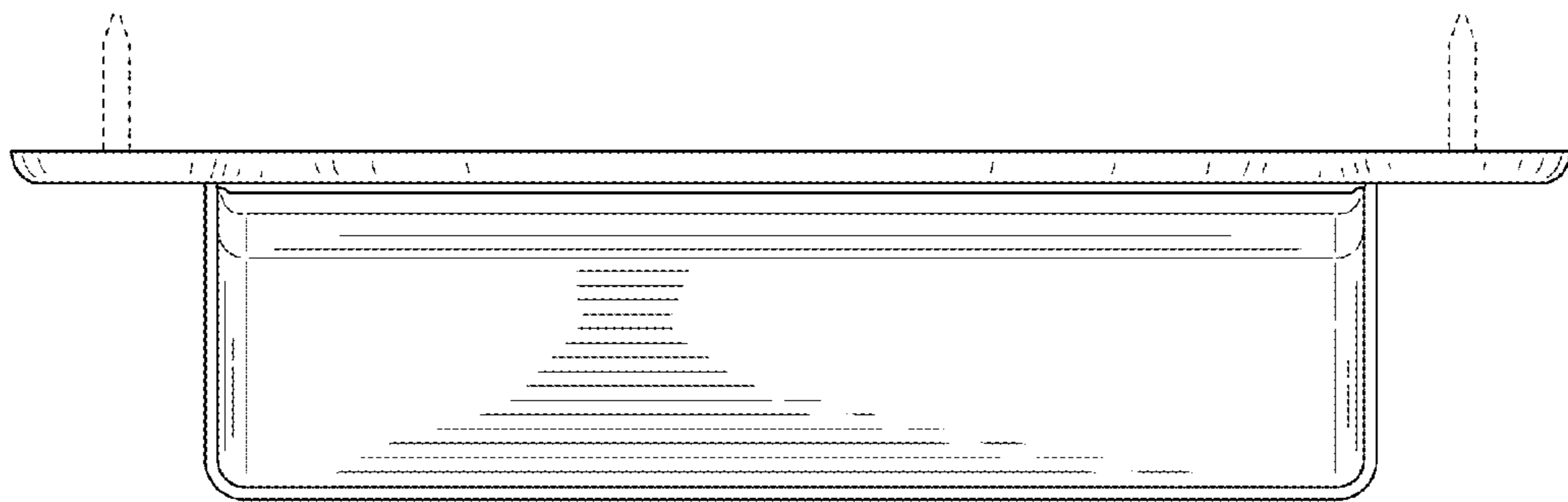


FIG. 5

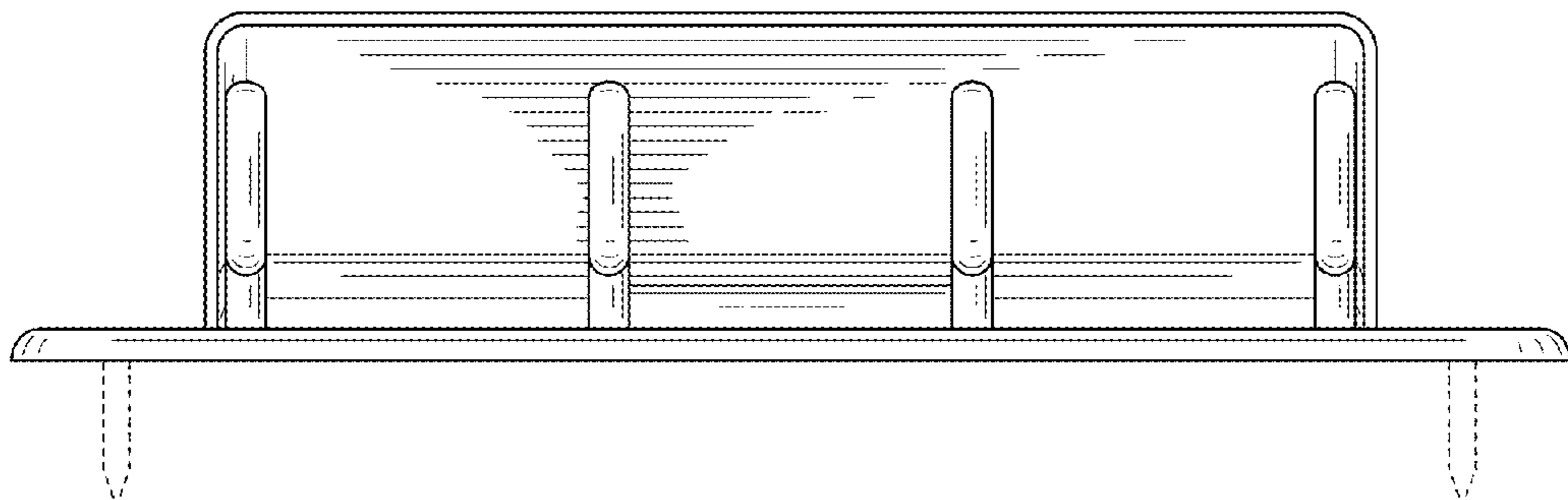


FIG. 6