



US00D712676S

(12) **United States Design Patent**
Flora

(10) **Patent No.:** **US D712,676 S**

(45) **Date of Patent:** **** Sep. 9, 2014**

(54) **FOLD-OUT CABINET BED**

(71) Applicant: **Iqbal Singh Flora**, Abbotsford (CA)

(72) Inventor: **Iqbal Singh Flora**, Abbotsford (CA)

(**) Term: **14 Years**

(21) Appl. No.: **29/450,672**

(22) Filed: **Mar. 20, 2013**

(51) **LOC (10) Cl.** **06-05**

(52) **U.S. Cl.**
USPC **D6/384; D6/664**

(58) **Field of Classification Search**
CPC **A47C 19/22**
USPC **D6/382, 383, 384, 389, 393, 394, 718,**
D6/718.13, 718.14, 718.19, 718.2, 718.24,
D6/64, 671.16; 5/53.1, 279.1, 280, 281,
5/2.1

See application file for complete search history.

(56) **References Cited**

U.S. PATENT DOCUMENTS

74,494	A *	2/1868	Burr	5/2.1
102,012	A *	4/1870	Kelly	5/2.1
915,651	A *	3/1909	Appel	5/158
1,409,770	A *	3/1922	Piatkowski	5/617
D369,247	S *	4/1996	Anderson	D6/384
6,851,139	B2	2/2005	Arason et al.	
D508,796	S *	8/2005	Juneau	D6/446
7,574,758	B2	8/2009	Arason et al.	
D608,560	S *	1/2010	Chen	D6/384

* cited by examiner

Primary Examiner — Janice Seeger

(74) *Attorney, Agent, or Firm* — Mark A Hopkinson;
Hopkinson Intellectual Property Law

(57) **CLAIM**

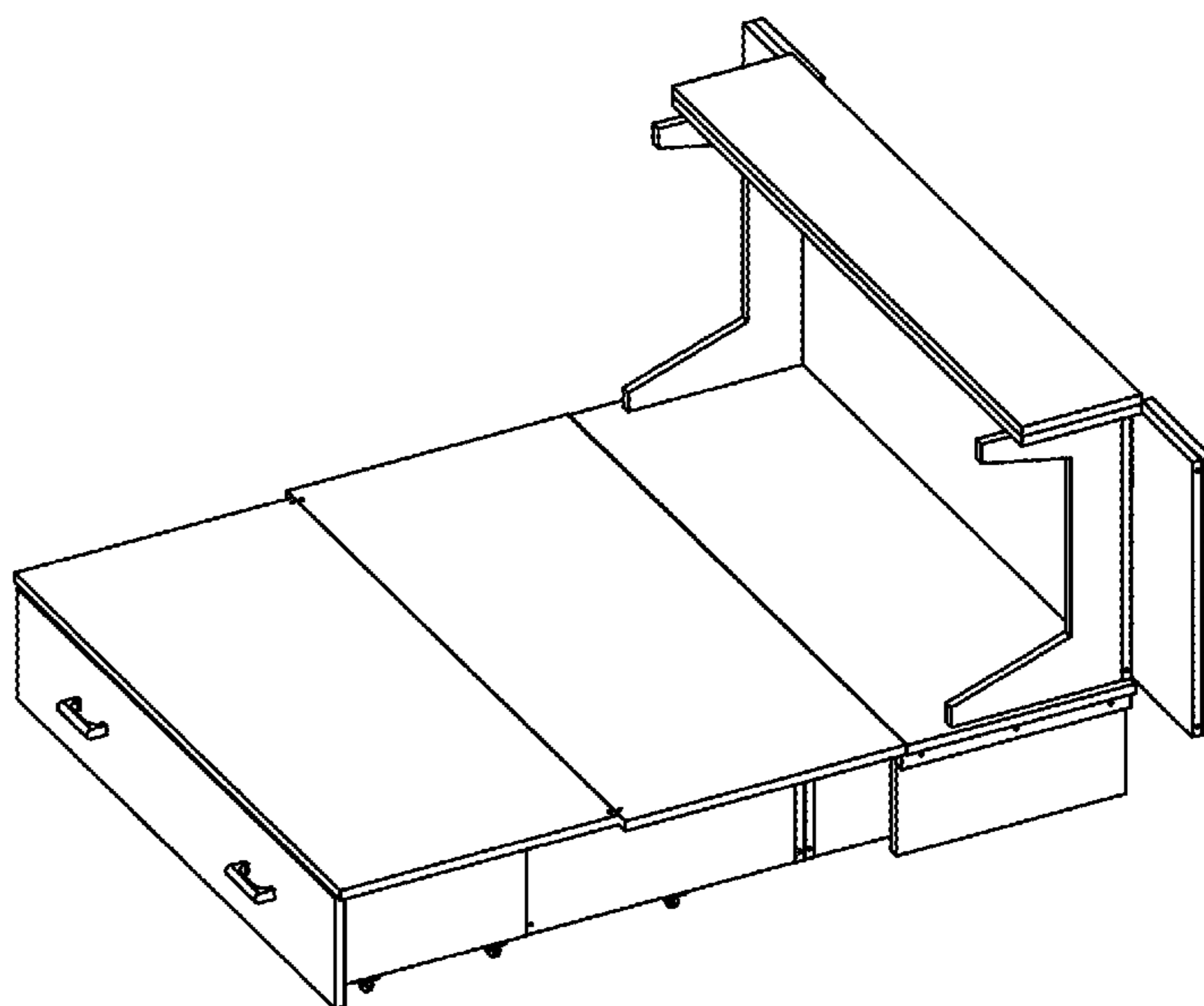
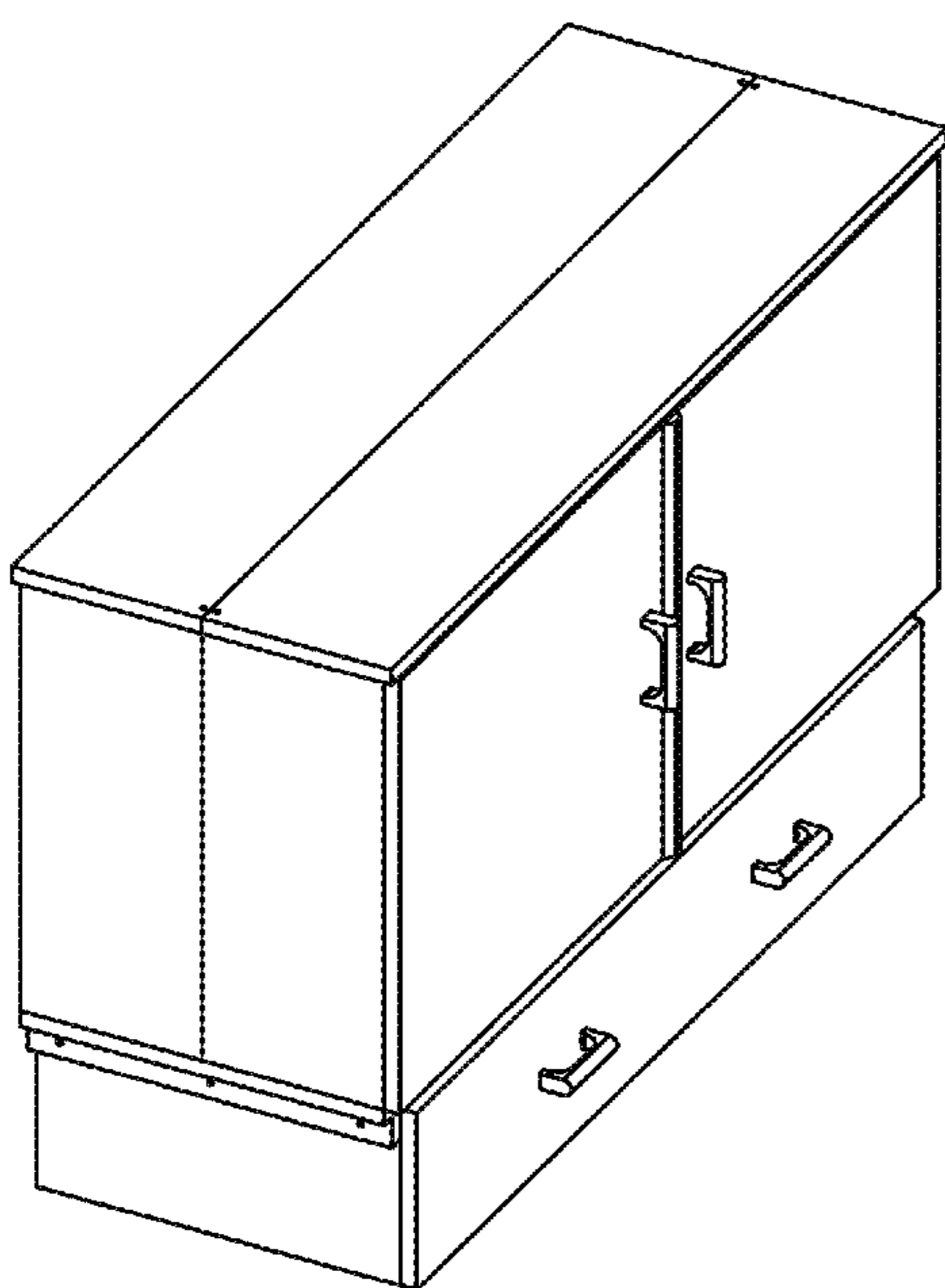
The ornamental design for a fold-out cabinet bed, as shown and described.

DESCRIPTION

FIG. 1 is a perspective view of the design in a closed position; FIG. 2 is a front view of the design; FIG. 3 is a top view of the design; FIG. 4 is a bottom view of the design; FIG. 5 is a rear view of the design; FIG. 6 is a right side view of the design; FIG. 7 is a perspective view in partially open position; FIG. 8 is a bottom view of FIG. 7; FIG. 9 is a left side view of FIG. 7; FIG. 10 is a front view of FIG. 7; FIG. 11 is a rear view of FIG. 7; FIG. 12 is a top view of FIG. 7; FIG. 13 is a perspective view in fully open position; FIG. 14 is a front view of FIG. 13; FIG. 15 is a rear view of FIG. 13; FIG. 16 is a left side view of FIG. 13; FIG. 17 is a top view of FIG. 13; and, FIG. 18 is a bottom view of FIG. 13.

The left side view of the design of FIG. 1 is the mirror image of the right side view shown in FIG. 6. The right side views of the embodiments of FIGS. 7 and 13 are the mirror images of the left side views shown in FIGS. 9 and 16 respectively.

1 Claim, 8 Drawing Sheets



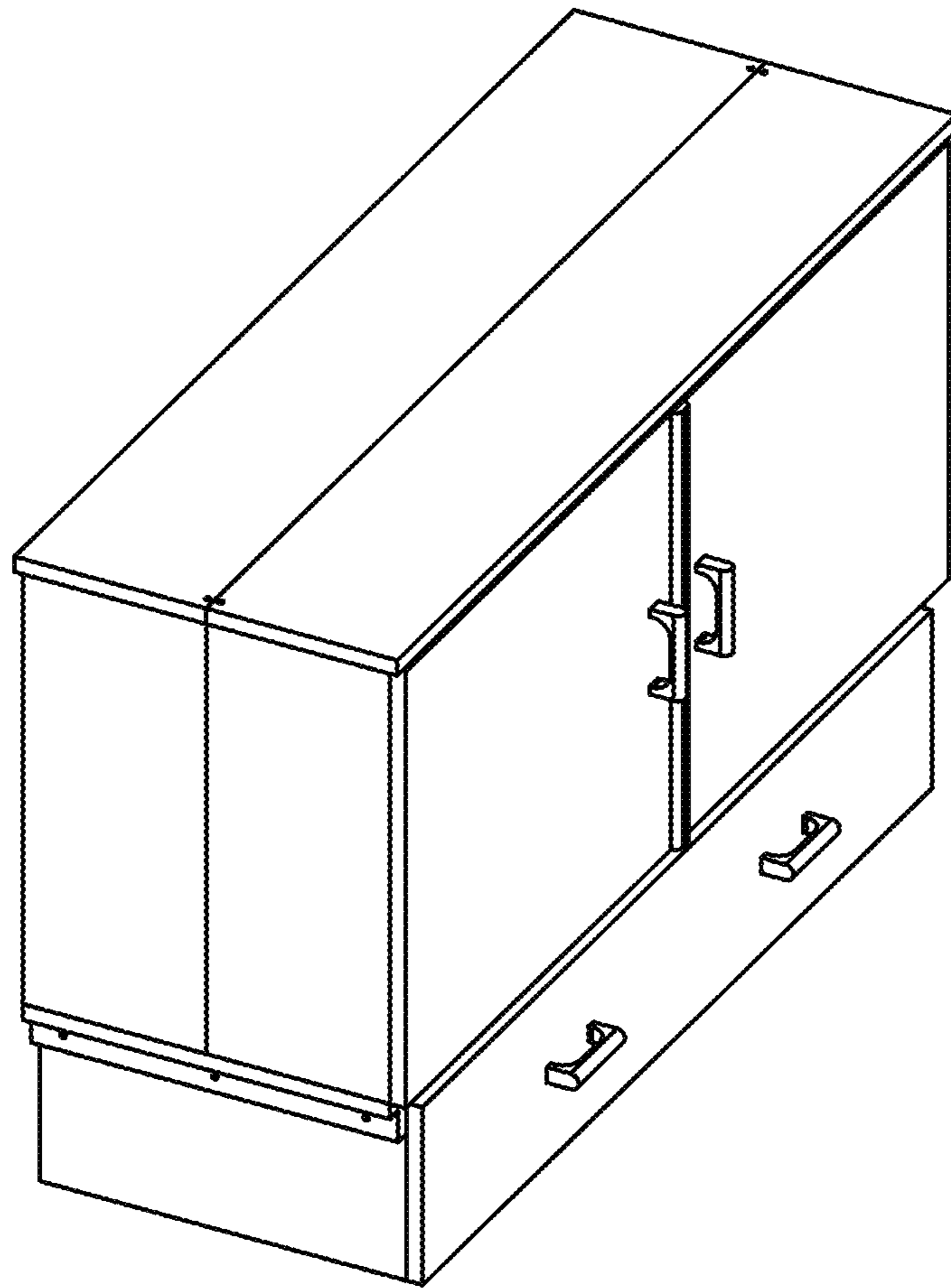


Fig. 1

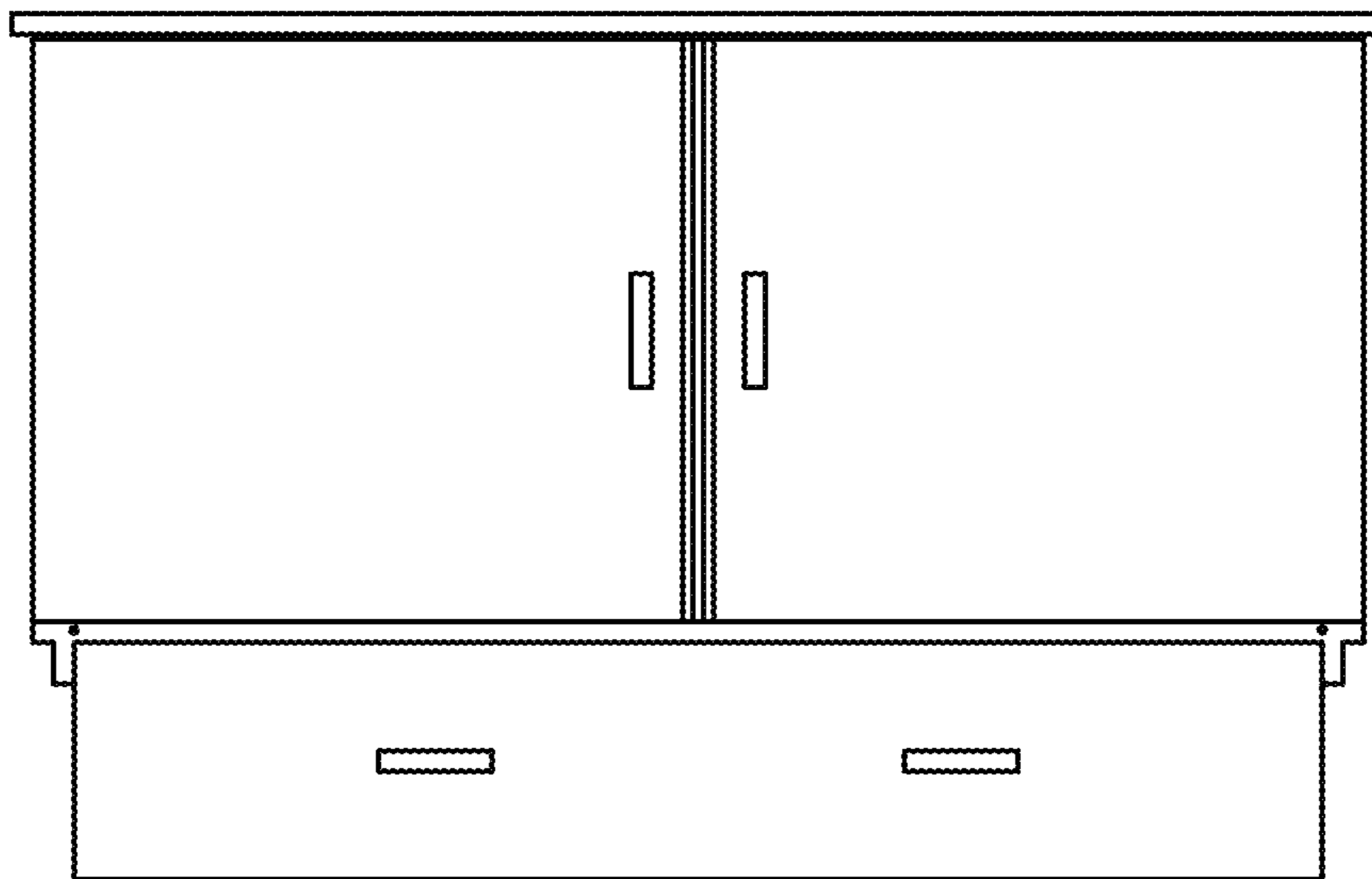


Fig. 2

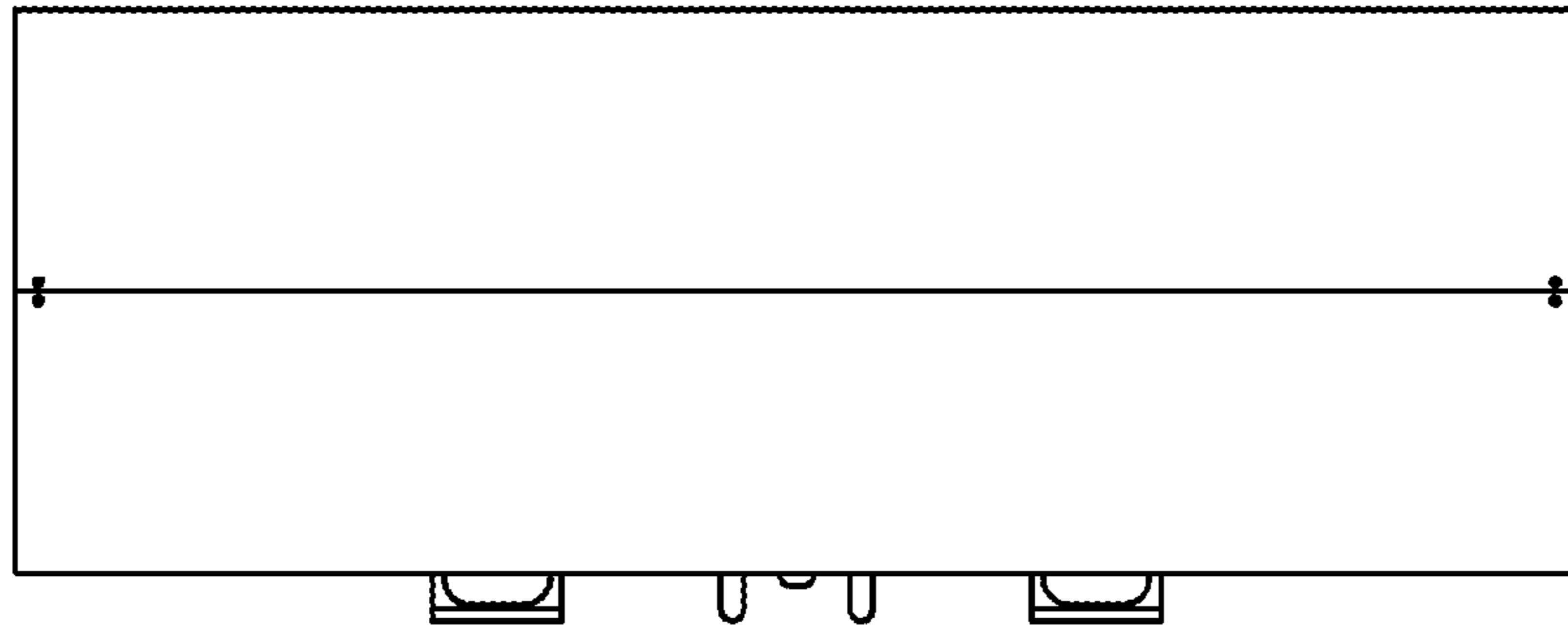


Fig. 3

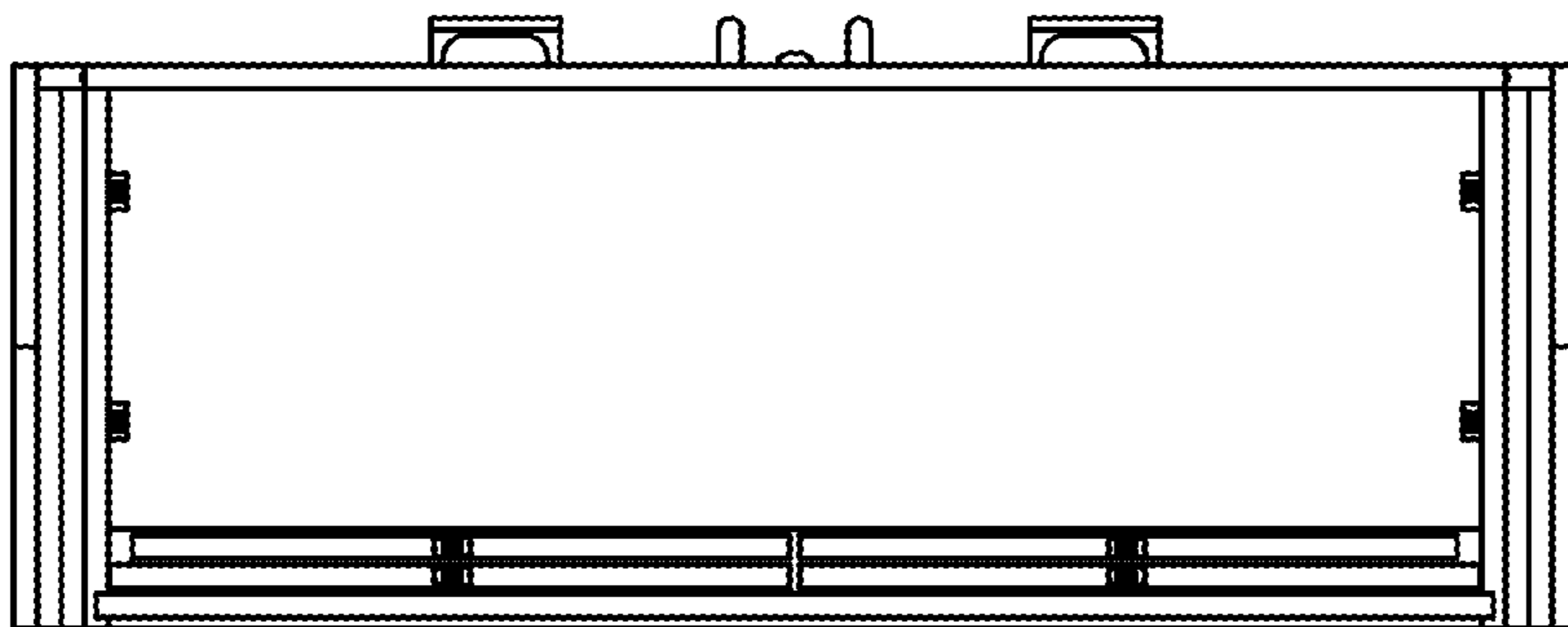


Fig. 4

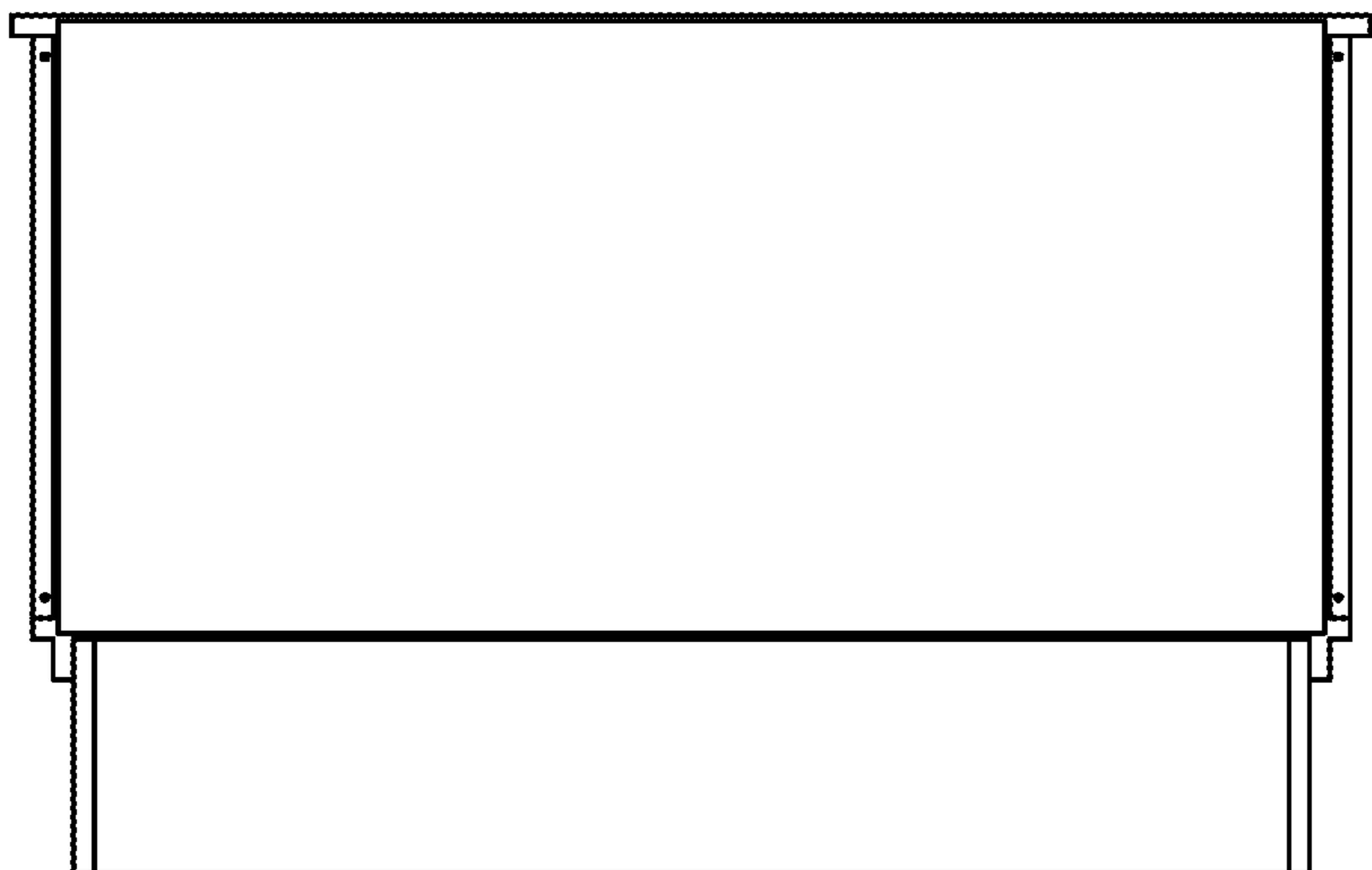


Fig. 5

Fig. 6

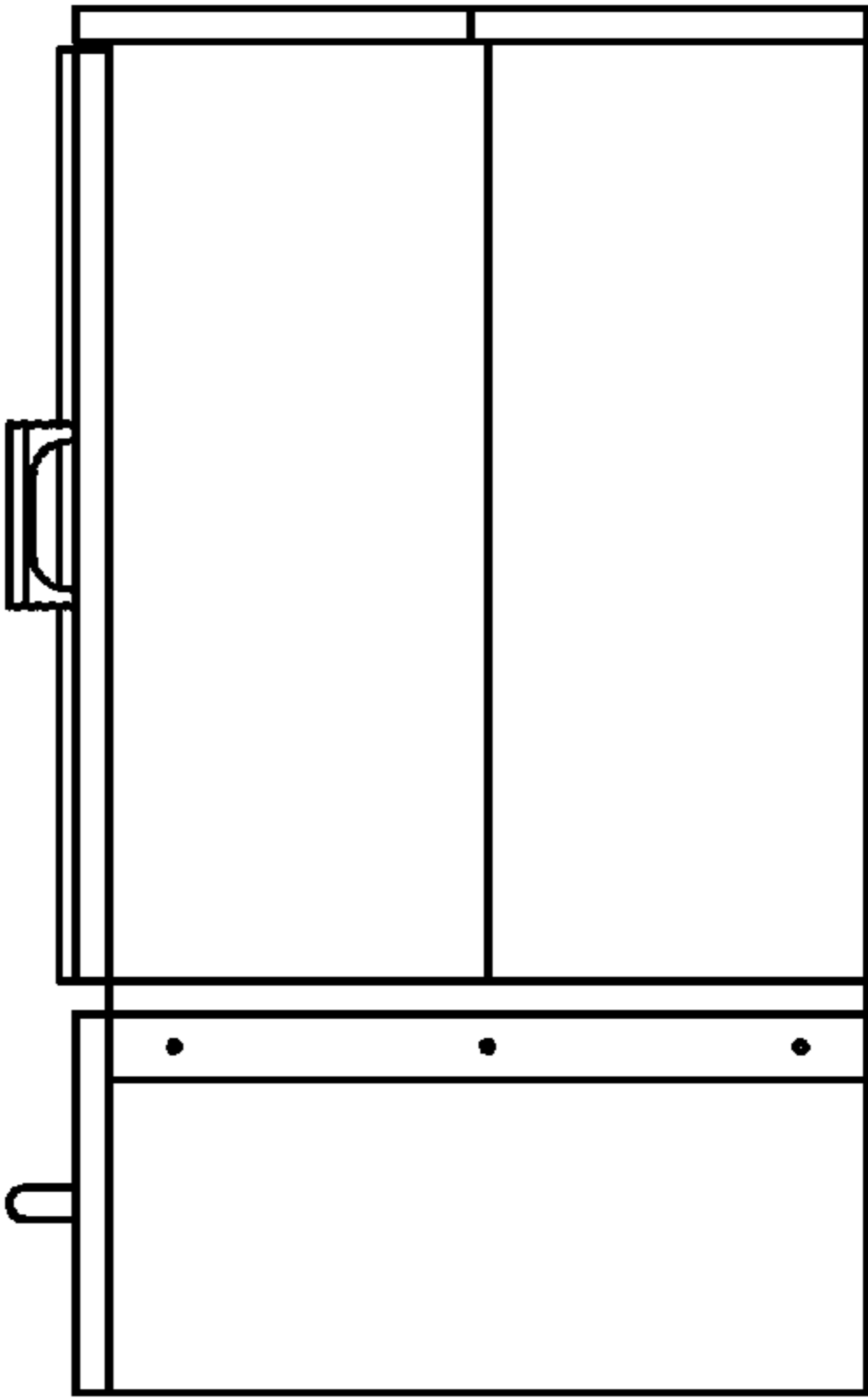
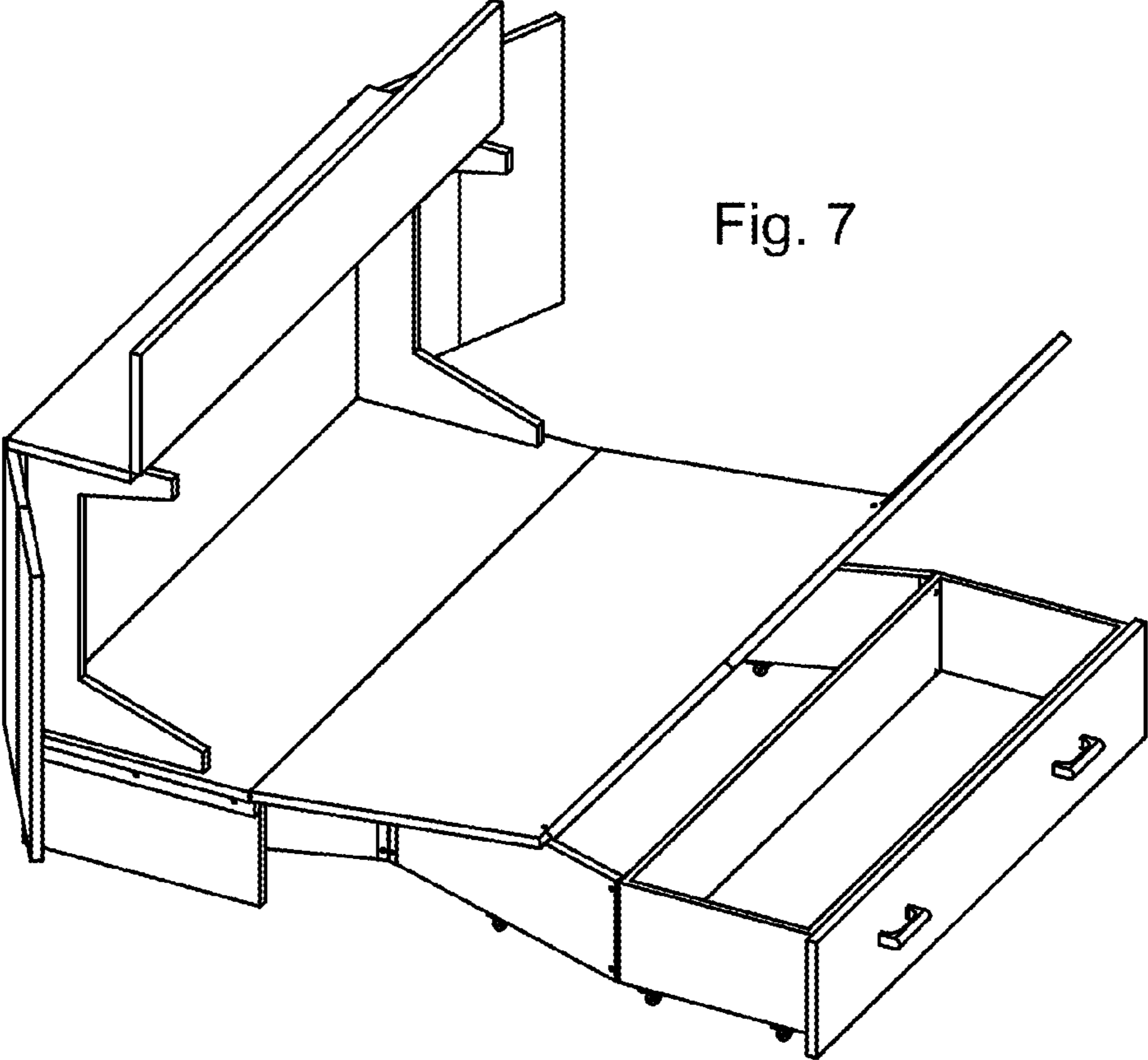


Fig. 7



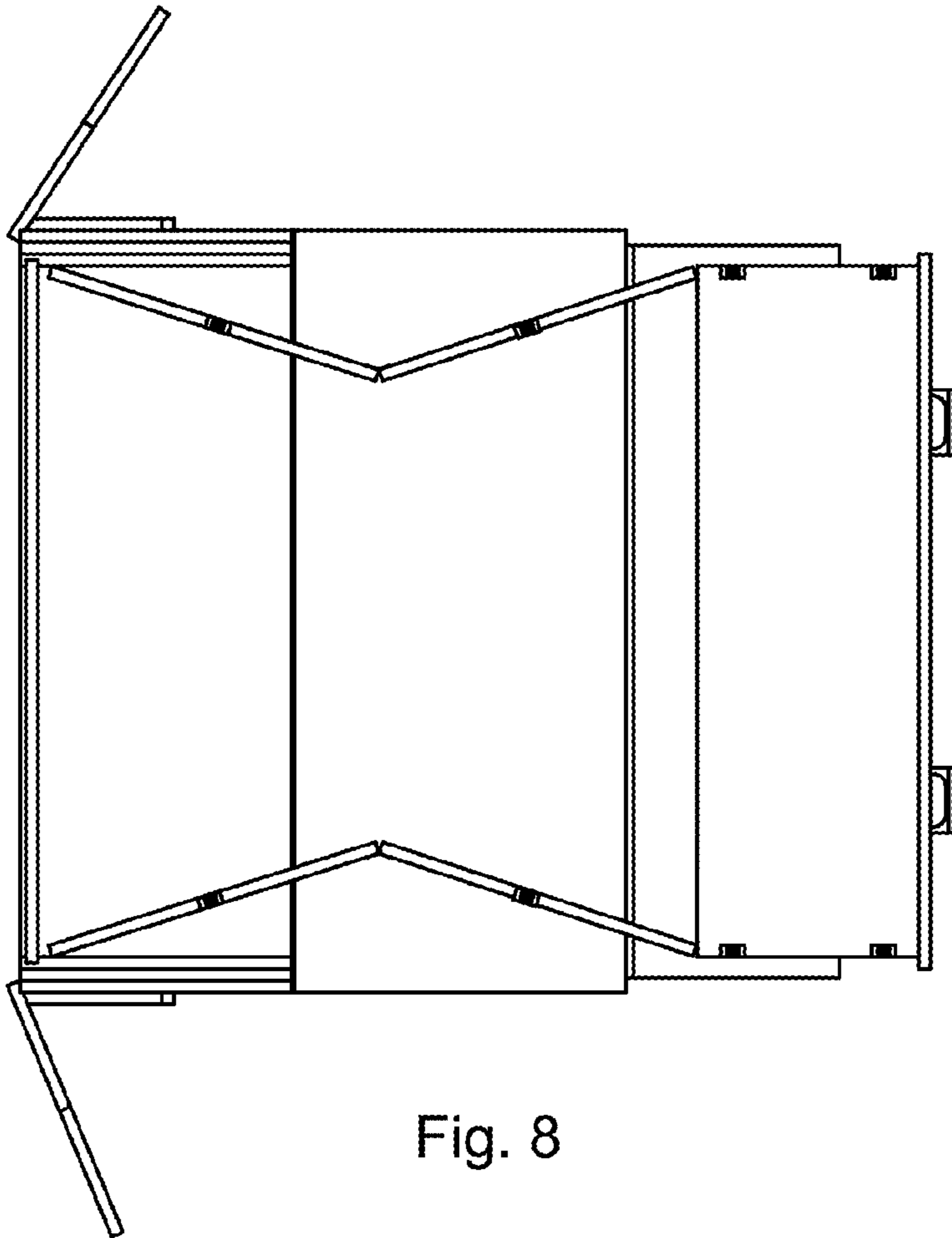


Fig. 8

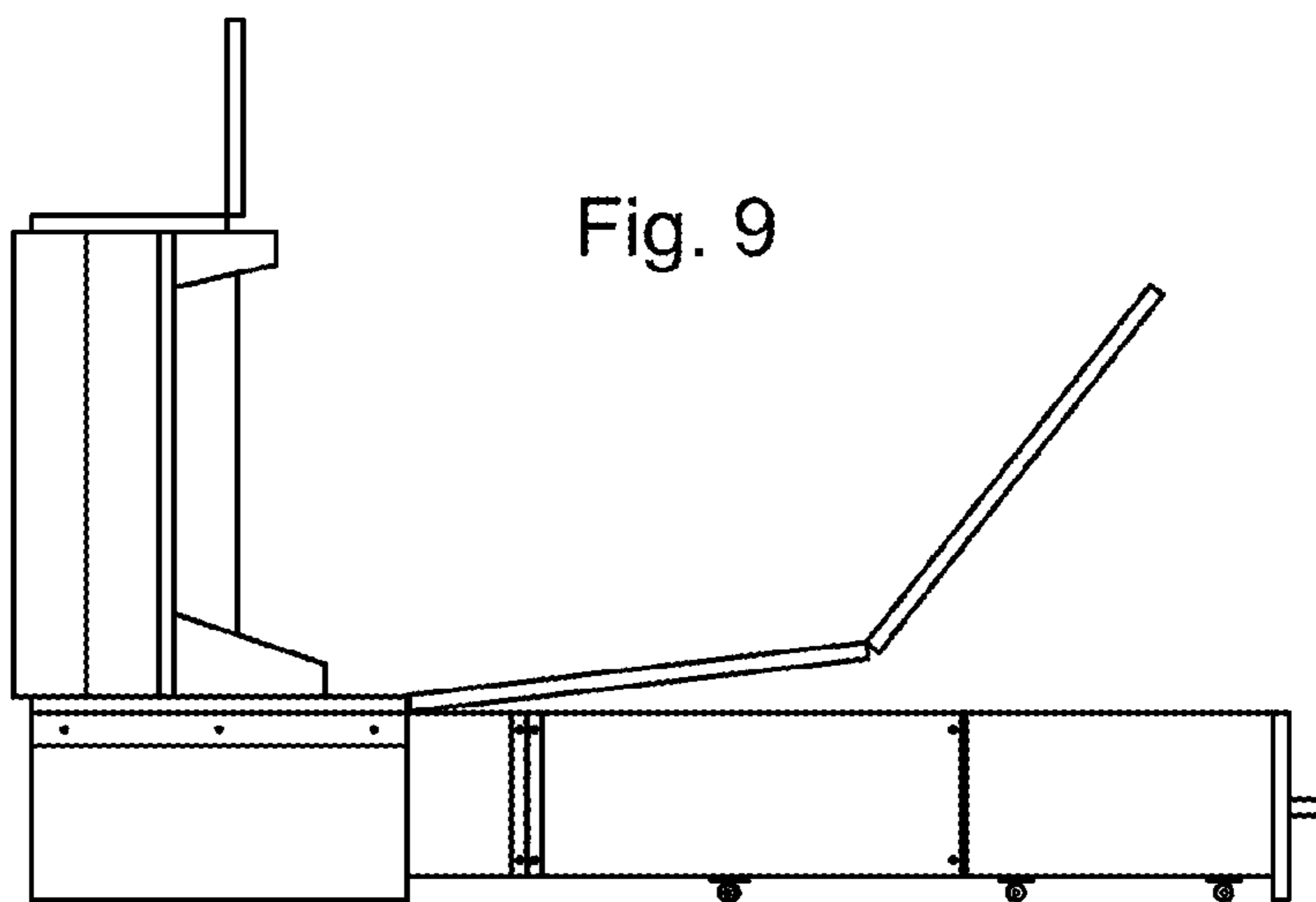


Fig. 9

Fig. 10

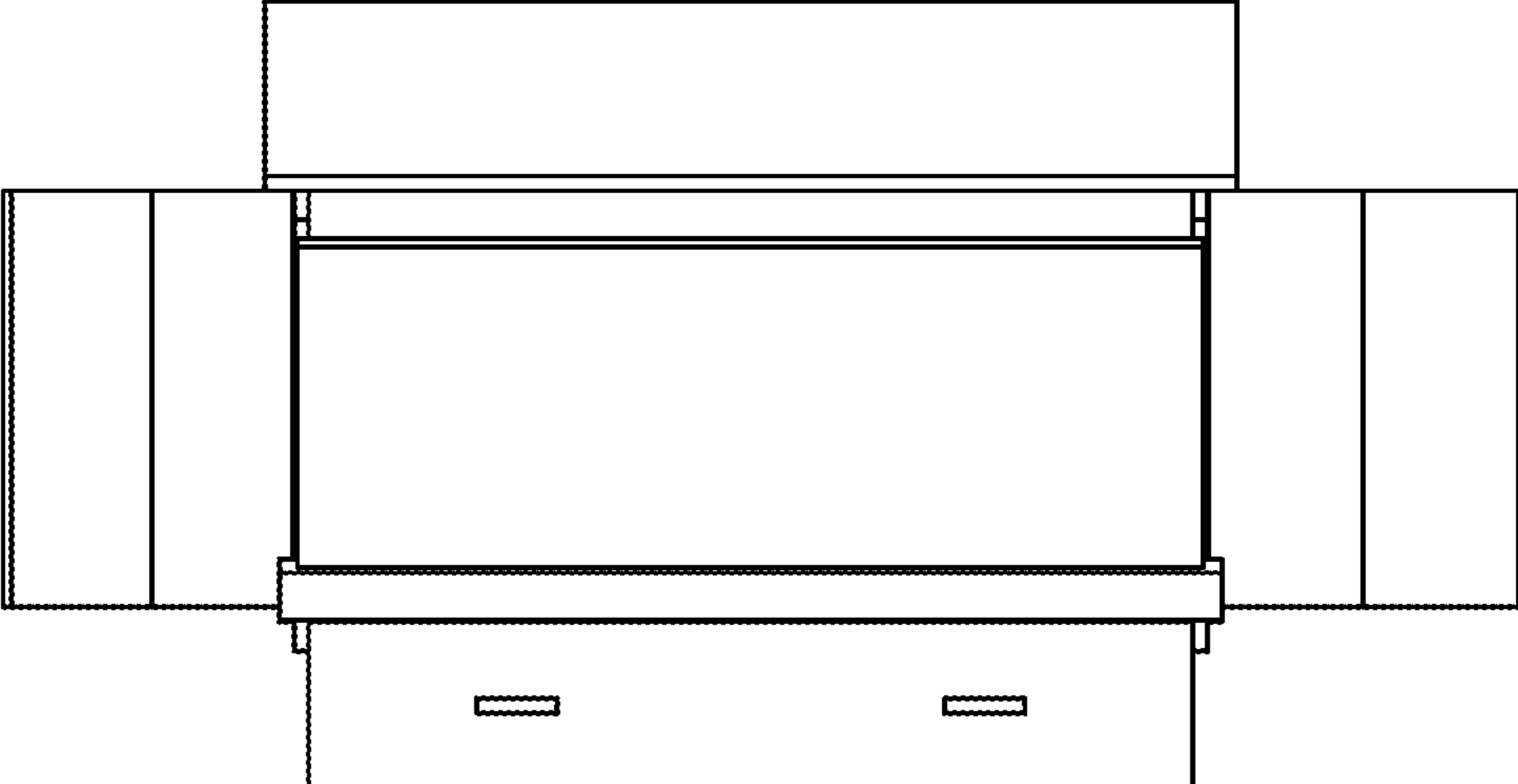
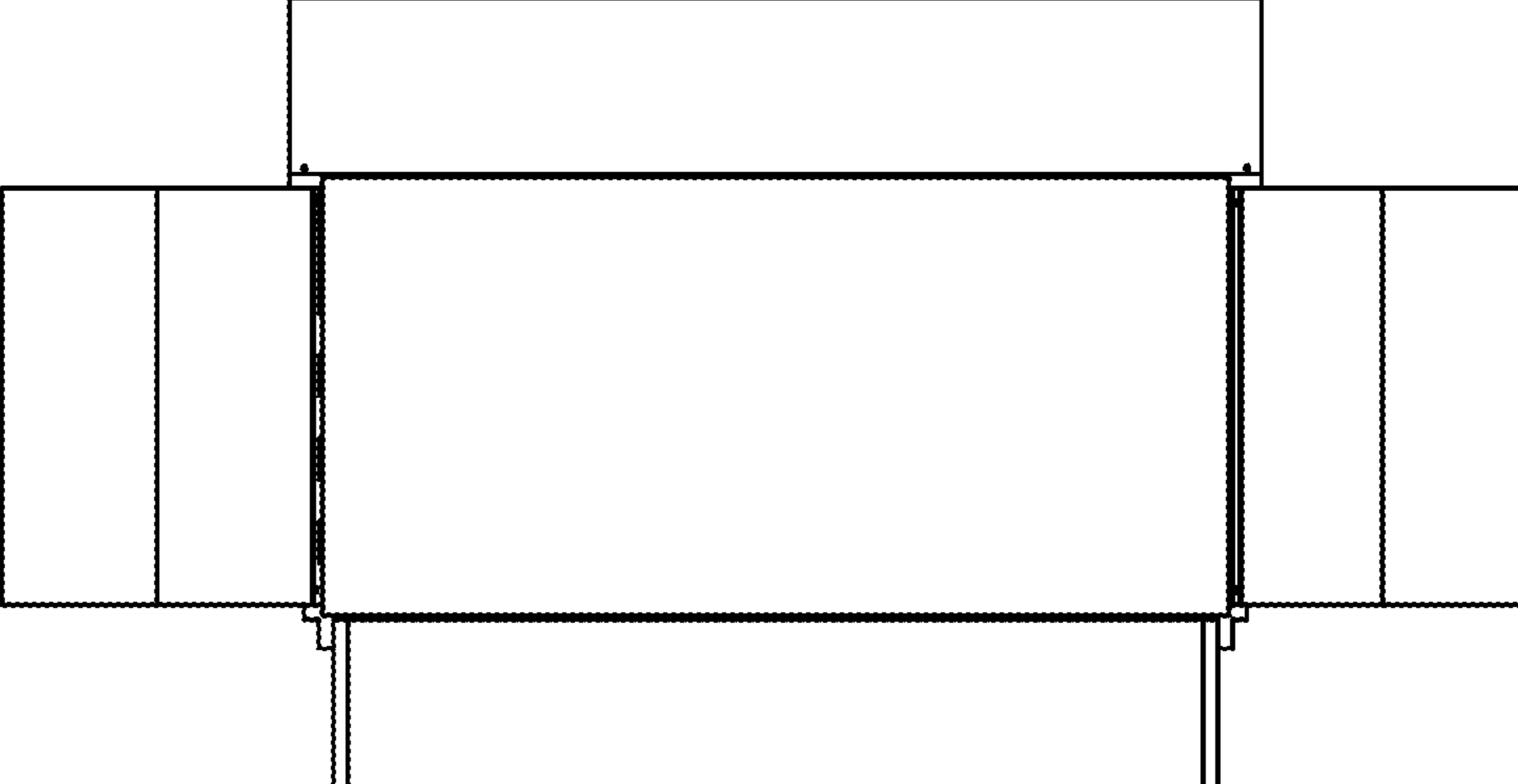


Fig. 11



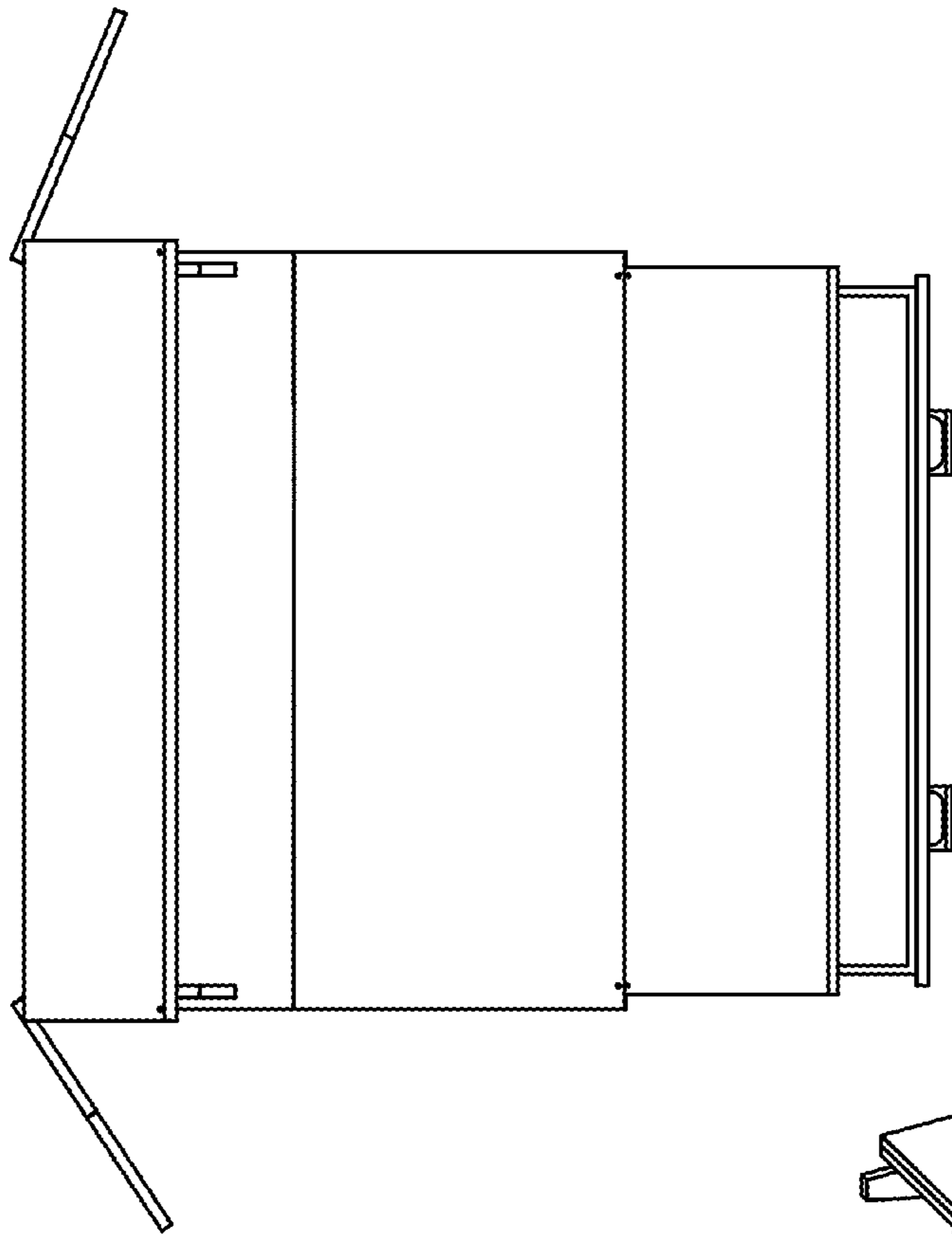


Fig. 12

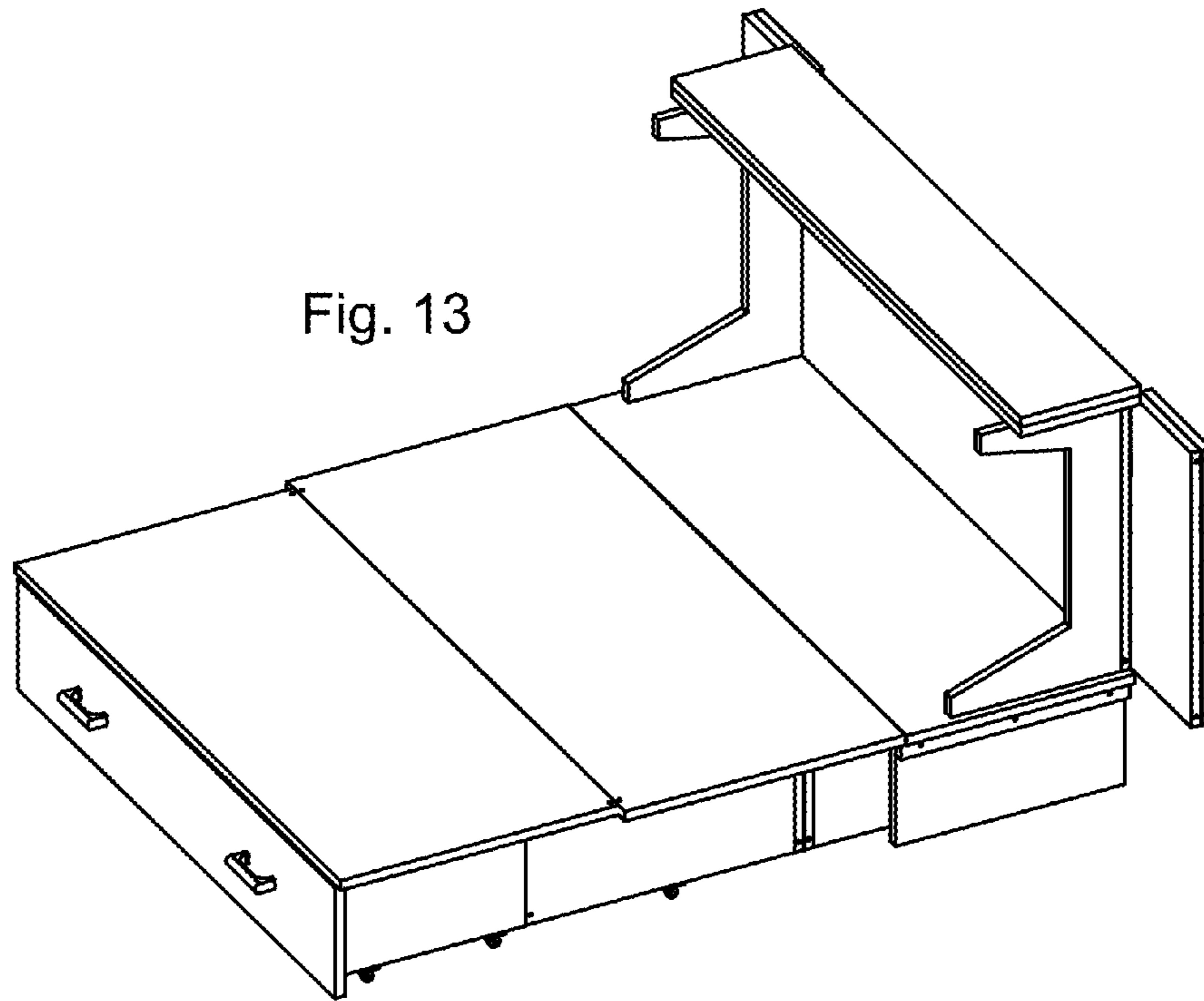


Fig. 13

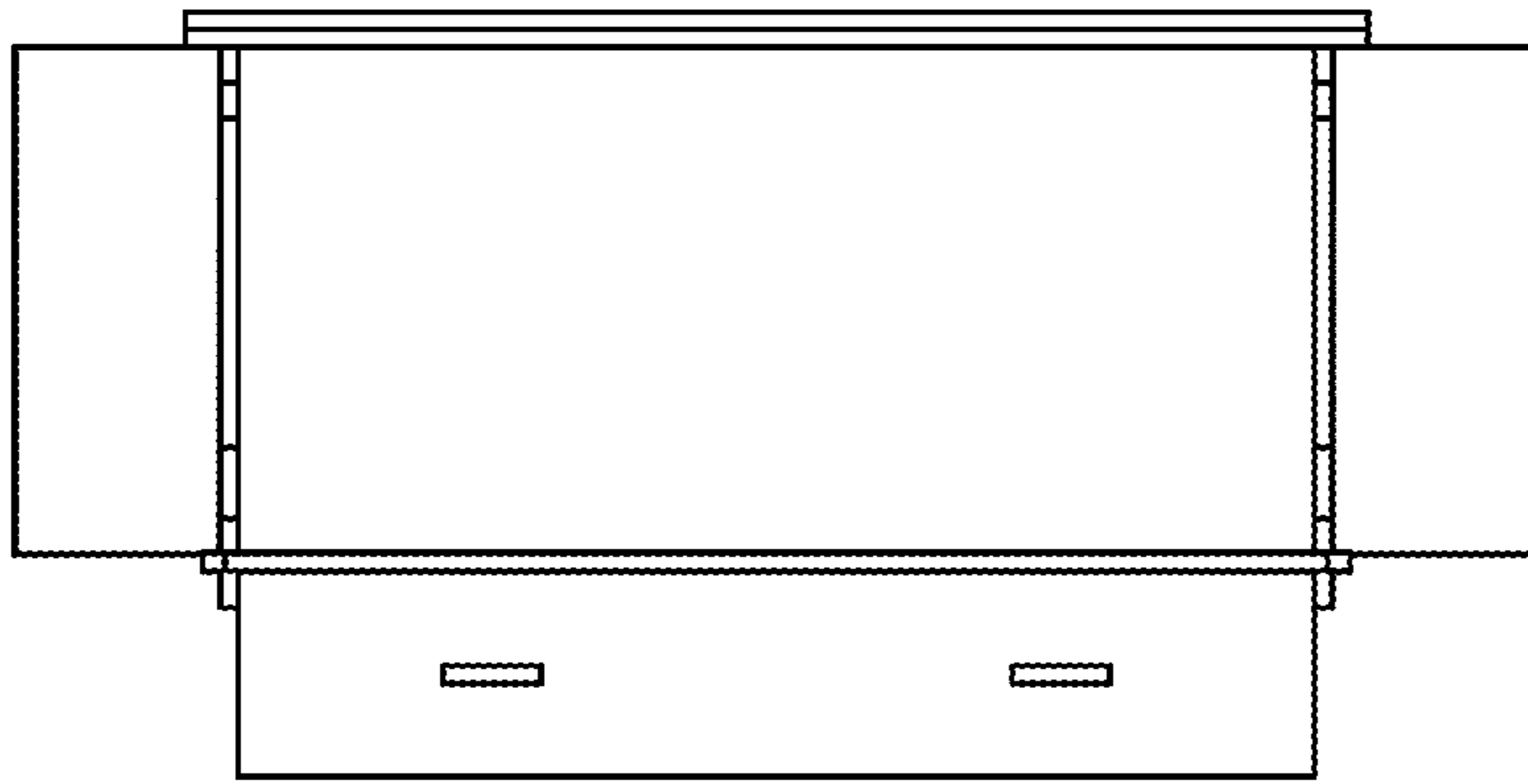


Fig. 14

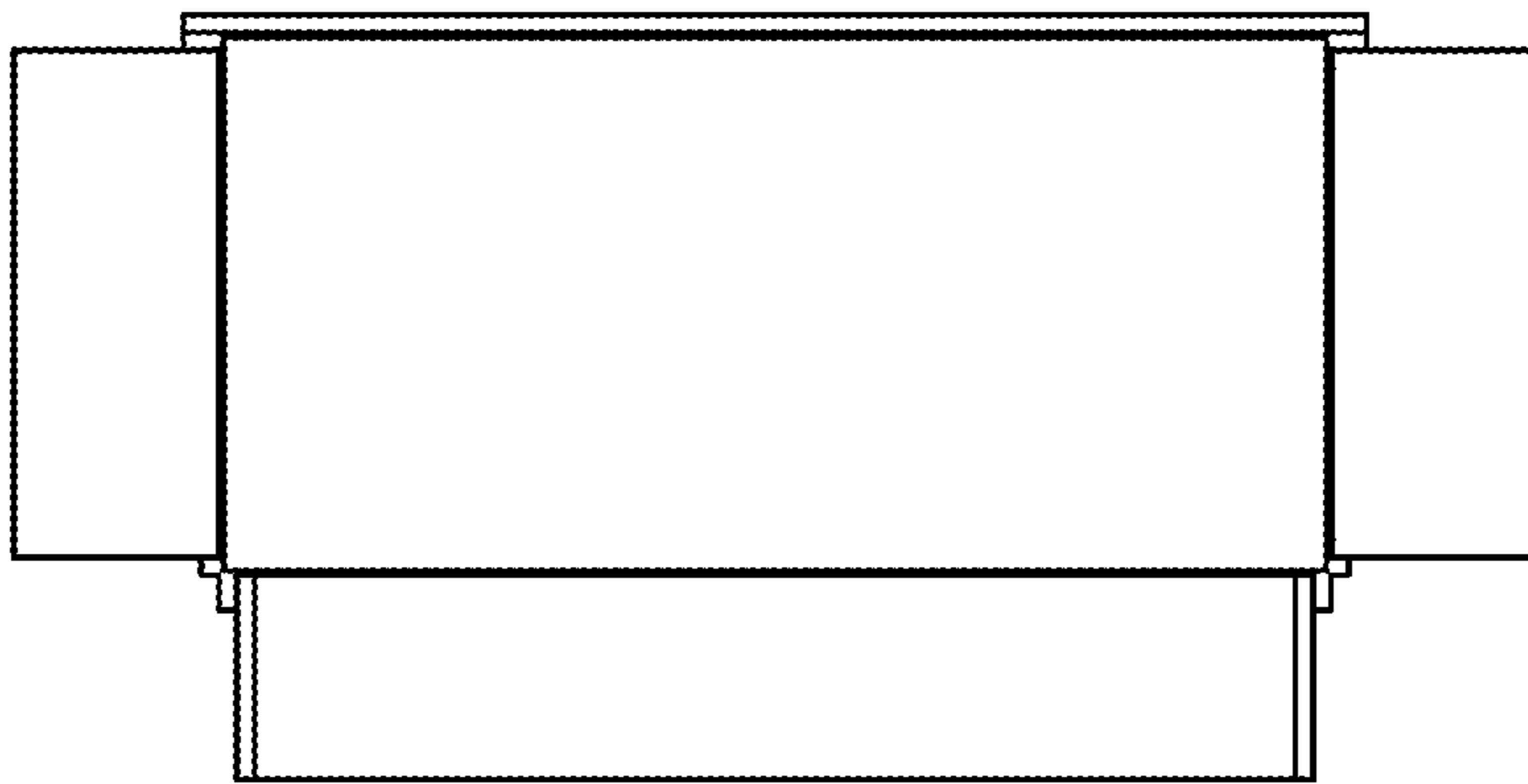


Fig. 15

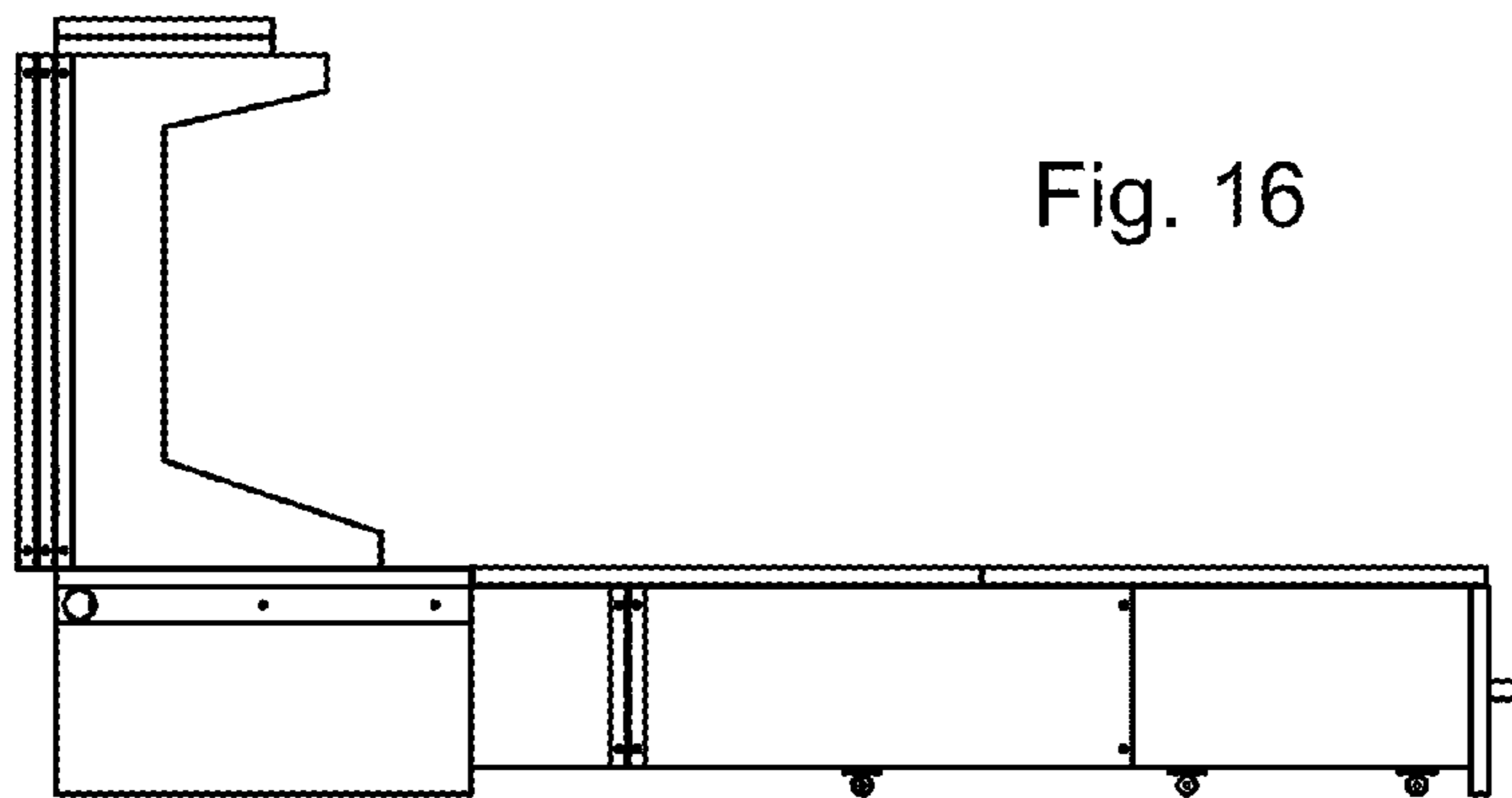


Fig. 16

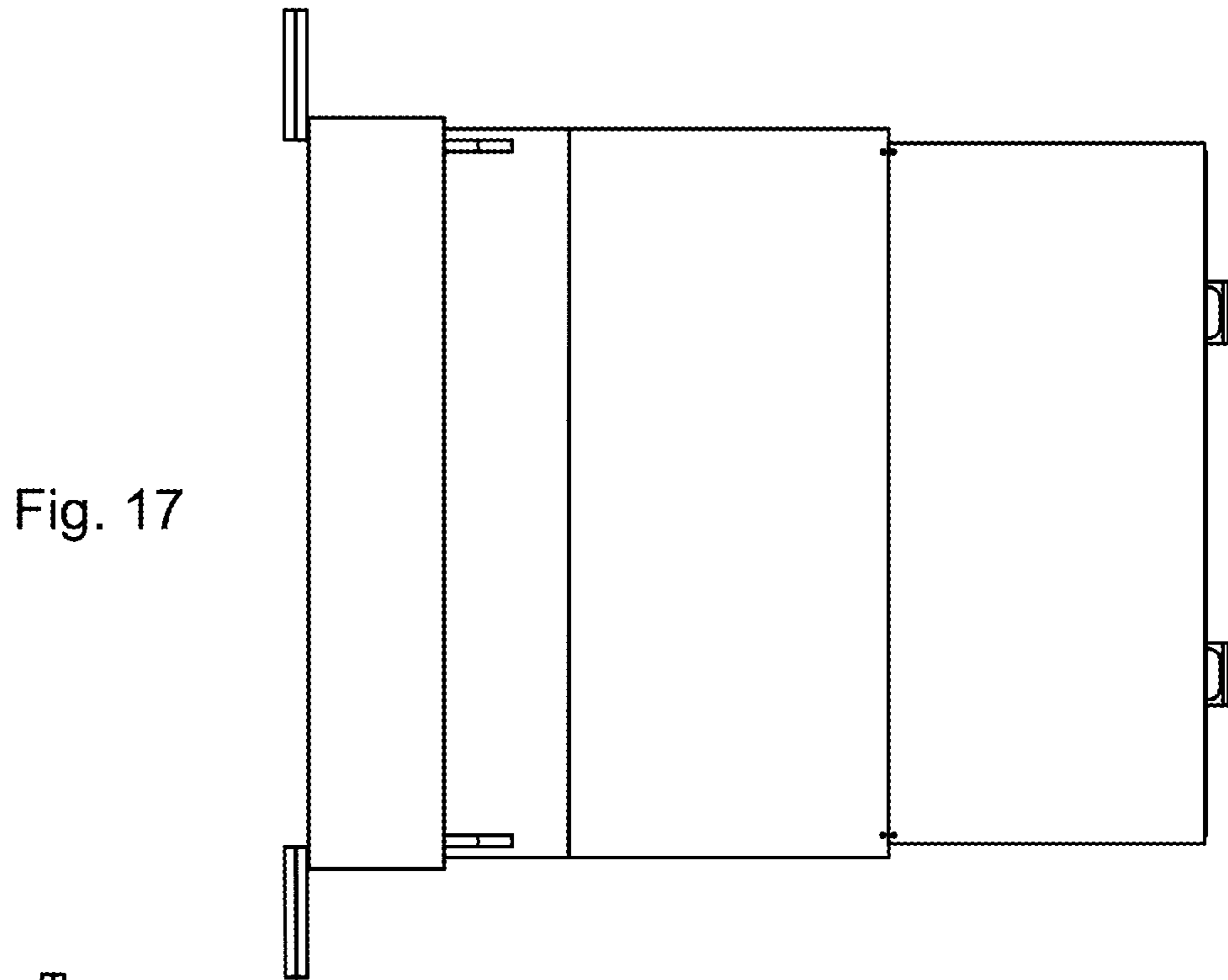


Fig. 17

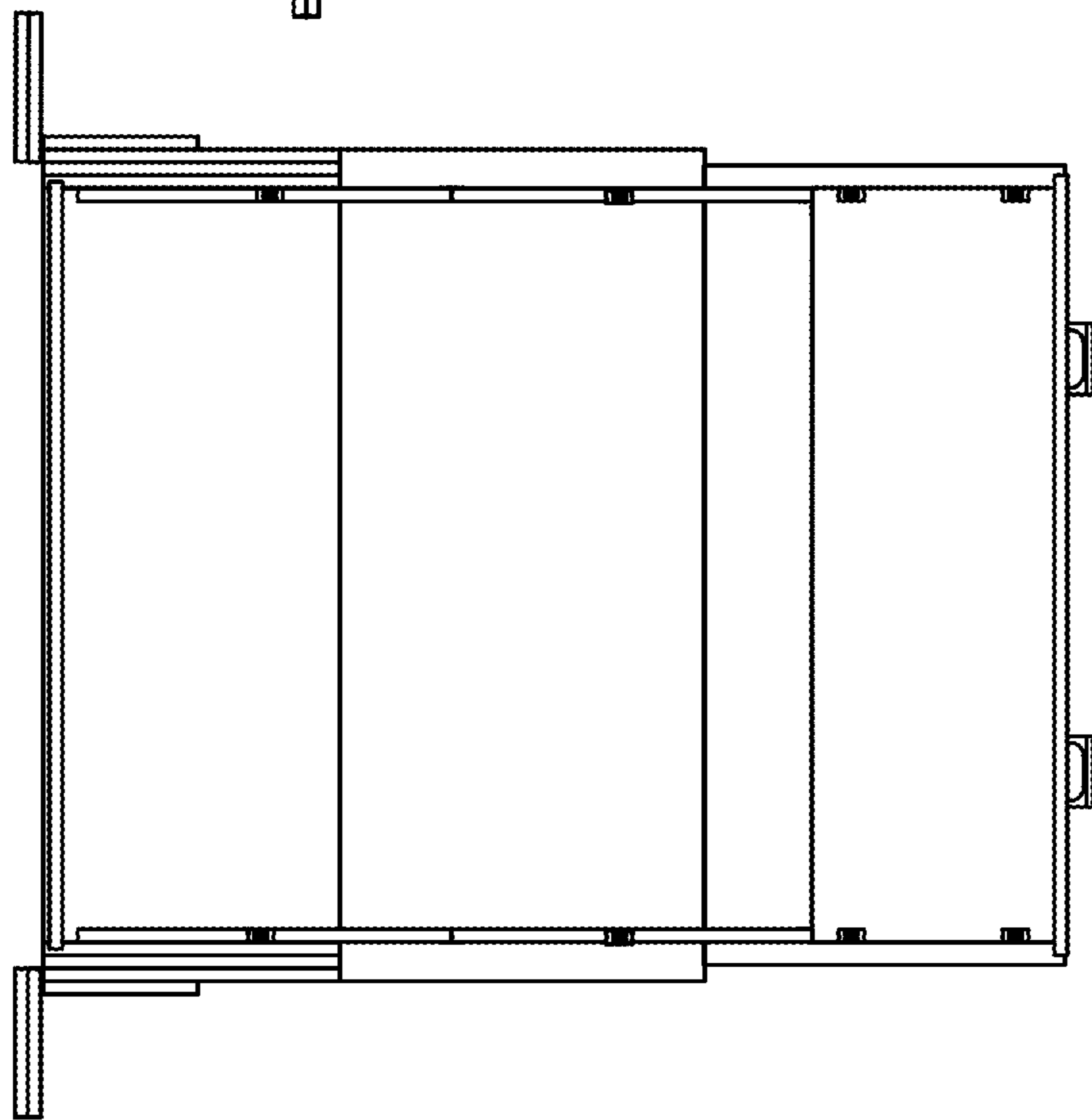


Fig. 18