



US00D712675S

(12) **United States Design Patent**  
**Carpenter**

(10) **Patent No.:** **US D712,675 S**

(45) **Date of Patent:** **\*\* Sep. 9, 2014**

(54) **SEATING WEDGE WITH EXTENDABLE FOOTREST**

(76) Inventor: **Jackson Carpenter**, Little Rock, AR (US)

(\*\*) Term: **14 Years**

(21) Appl. No.: **29/418,852**

(22) Filed: **Apr. 23, 2012**

(51) **LOC (10) Cl.** ..... **06-01**

(52) **U.S. Cl.**  
USPC ..... **D6/378**

(58) **Field of Classification Search**

USPC ..... D6/334-336, 344-356, 360-381, 388, D6/403, 491-502, 692, 708, 716, 716.1, D6/716.2-716.4; D30/118; 297/16.1, 22, 297/31, 35, 135, 217.1, 228.12, 248, 297/256.16, 271.6, 284.4-284.5, 287, 291, 297/297, 302.4, 411.2, 411.27-411.29, 297/411.43, 423.1, 423.12, 440.11, 440.15, 297/440.21-440.24, 448.1, 451.4, 452.13, 297/452.19, 452.21, 452.27, 452.29, 452.3, 297/452.41, 452.56, 452.64

See application file for complete search history.

(56) **References Cited**

U.S. PATENT DOCUMENTS

D247,009 S *	1/1978	Schobлом et al. ....	D6/378
D251,940 S *	5/1979	Spound et al. ....	D6/378
D259,600 S *	6/1981	Marks .....	D6/378
D311,283 S *	10/1990	Warren .....	D6/378
D336,172 S *	6/1993	Gibson .....	D6/378
D384,827 S *	10/1997	Hutton .....	D6/334
D388,628 S *	1/1998	Hutton .....	D6/378
D544,723 S *	6/2007	Boutin .....	D6/378
D577,925 S *	10/2008	Gomez .....	D6/378
D609,034 S *	2/2010	Lissoni .....	D6/500
D627,576 S *	11/2010	Joly .....	D6/378
D640,839 S *	6/2011	Zine-Himy .....	D30/118
D646,907 S *	10/2011	Joly .....	D6/378

OTHER PUBLICATIONS

Photographs of Franklin Corporation sectional sofa, Feb. 25, 2009, 4 pgs.

\* cited by examiner

*Primary Examiner* — Ricky Pham

(74) *Attorney, Agent, or Firm* — Womble Carlyle Sandridge & Rice, LLP

(57) **CLAIM**

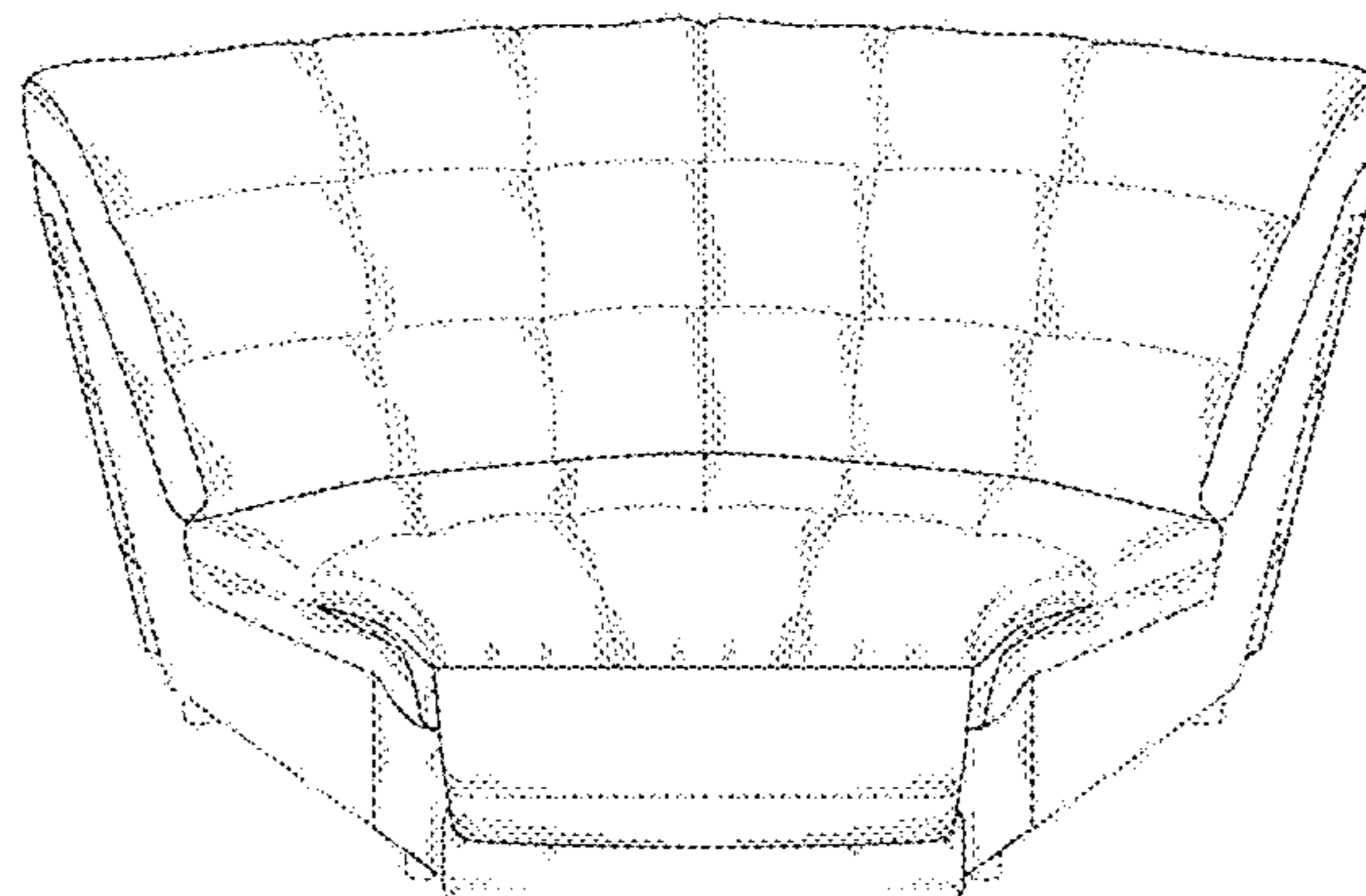
I claim the ornamental design for a seating wedge with extendable footrest, as shown and described.

**DESCRIPTION**

FIG. 1 is a front perspective view of a first embodiment of a seating wedge with extendable footrest;  
 FIG. 2 is a front view thereof;  
 FIG. 3 is a left side view thereof, the right side view being a mirror equivalent thereof;  
 FIG. 4 is a top view thereof;  
 FIG. 5 is a rear view thereof;  
 FIG. 6 is a front view with the leg rest in an extended position;  
 FIG. 7 is a front view with the leg rest in another extended position;  
 FIG. 8 is a left side view thereof with the leg rest in an extended position;  
 FIG. 9 is a left side view with the leg rest in another extended position;  
 FIG. 10 is a perspective view thereof, shown with environmental elements;  
 FIG. 11 is an enlarged view of a footrest of a second embodiment of a seating wedge with extendable footrest, the additional elements not shown being equivalent to those shown in the first embodiment; and,  
 FIG. 12 is an enlarged view of the footrest in an extended position of the second embodiment thereof, the additional elements not shown being equivalent to those shown in the first embodiment.

The dash-dot lines in FIGS. 1-3, 6-9, 11 and 12 that form partial boundaries of claimed shaded areas represent unclaimed boundaries of the design. The dash-dash lines elsewhere in the Figures refer to environmental elements only and form no part of the claimed design.

**1 Claim, 12 Drawing Sheets**



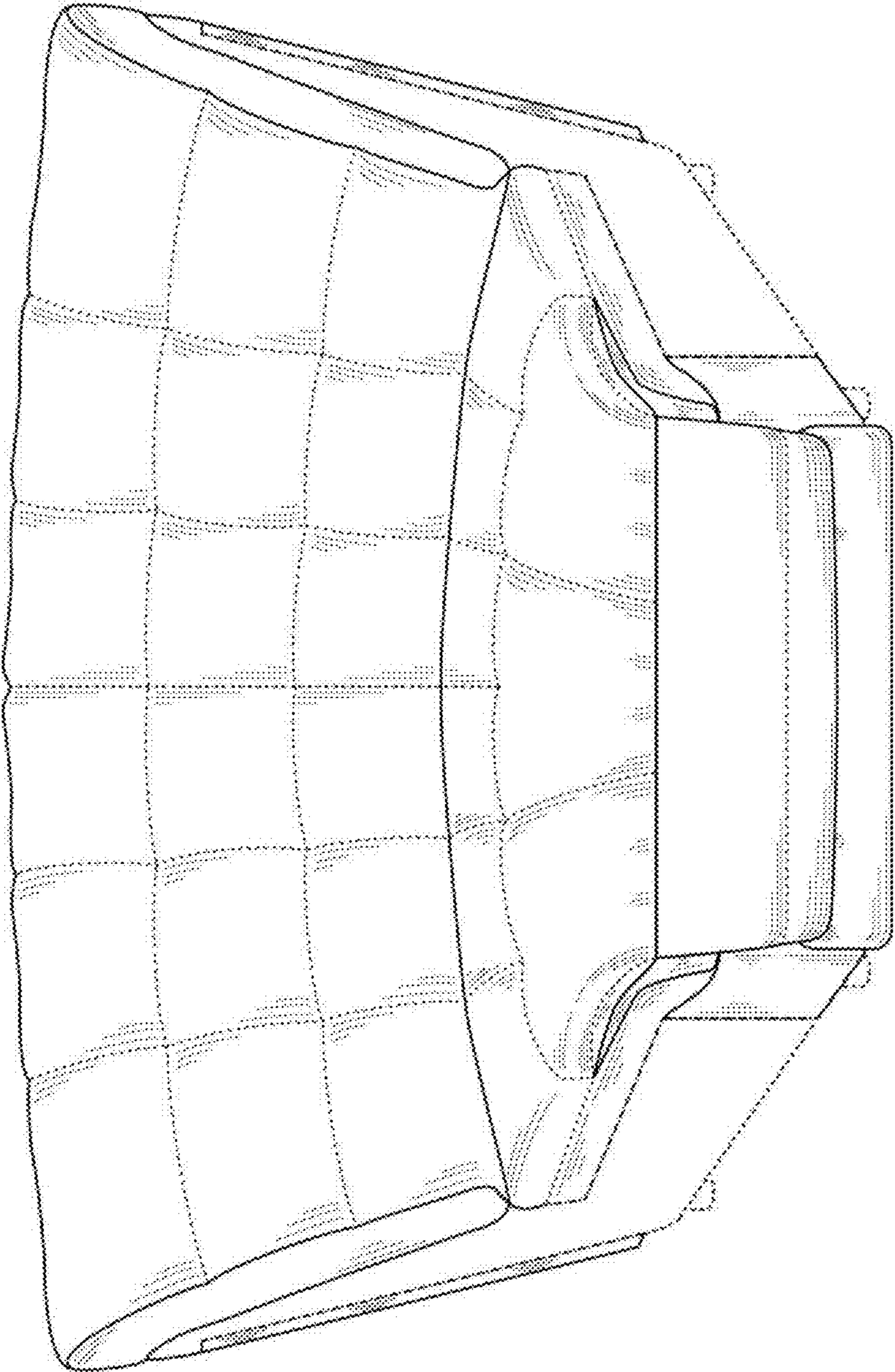


FIG. 1

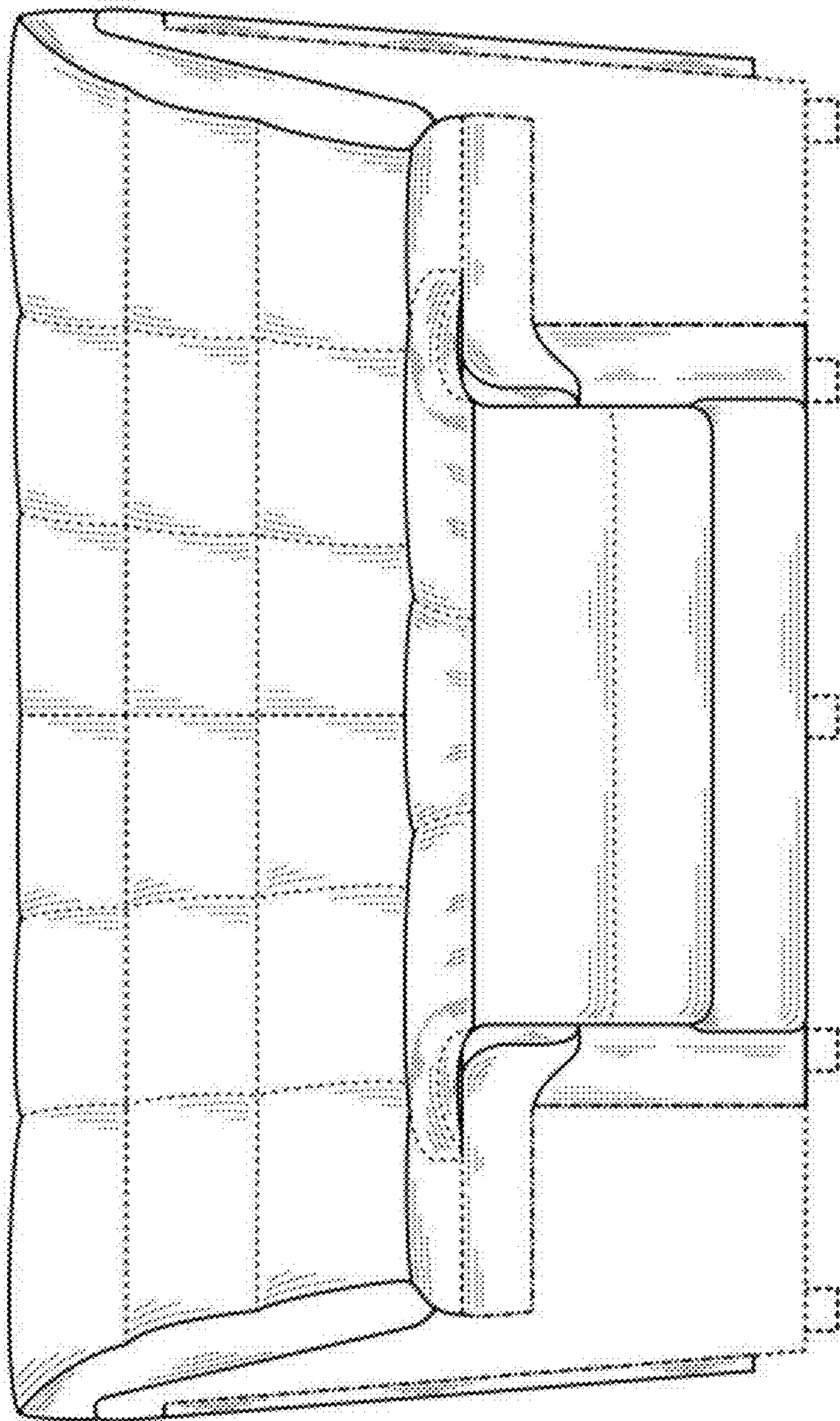


FIG. 2

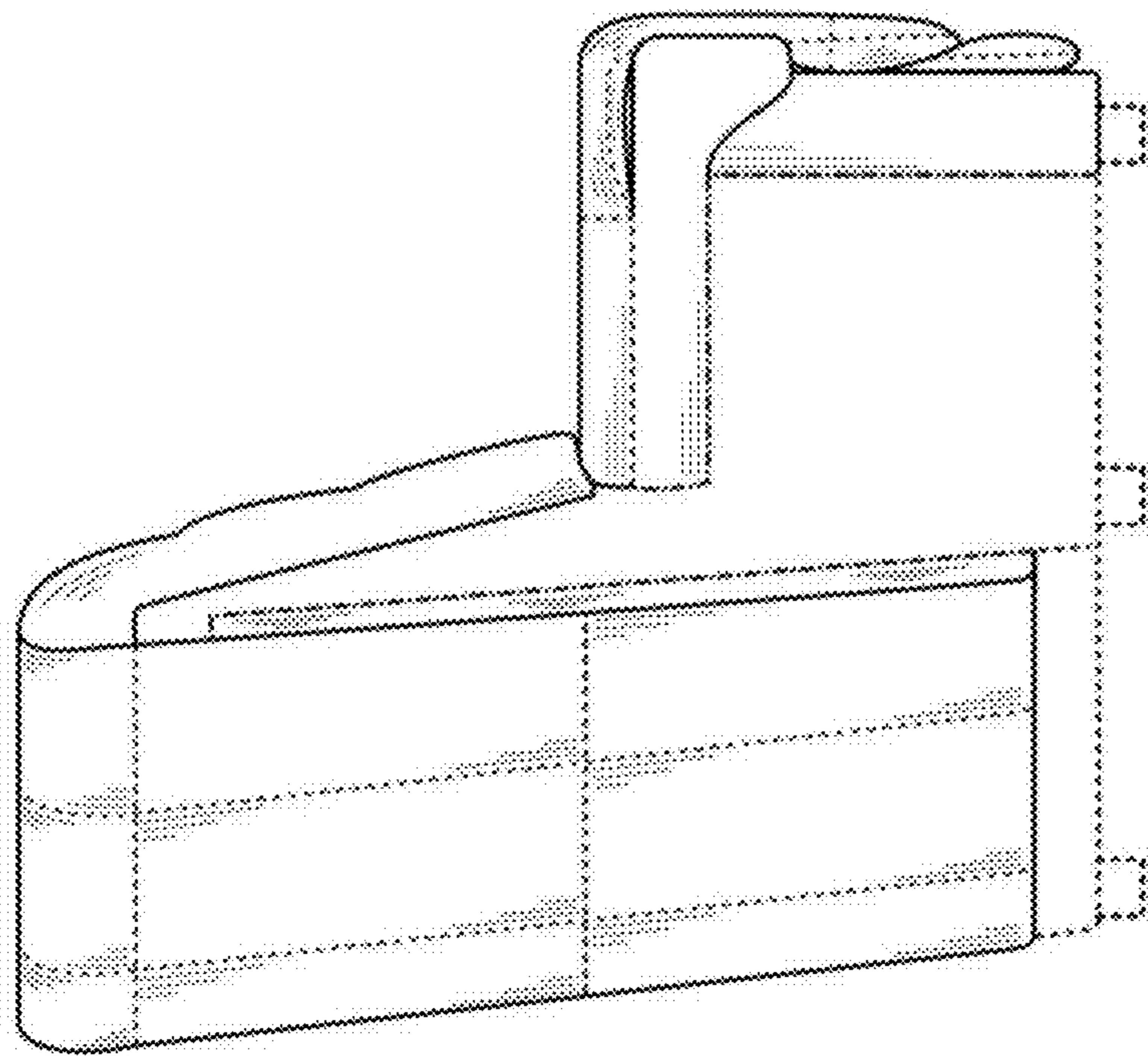


FIG. 3

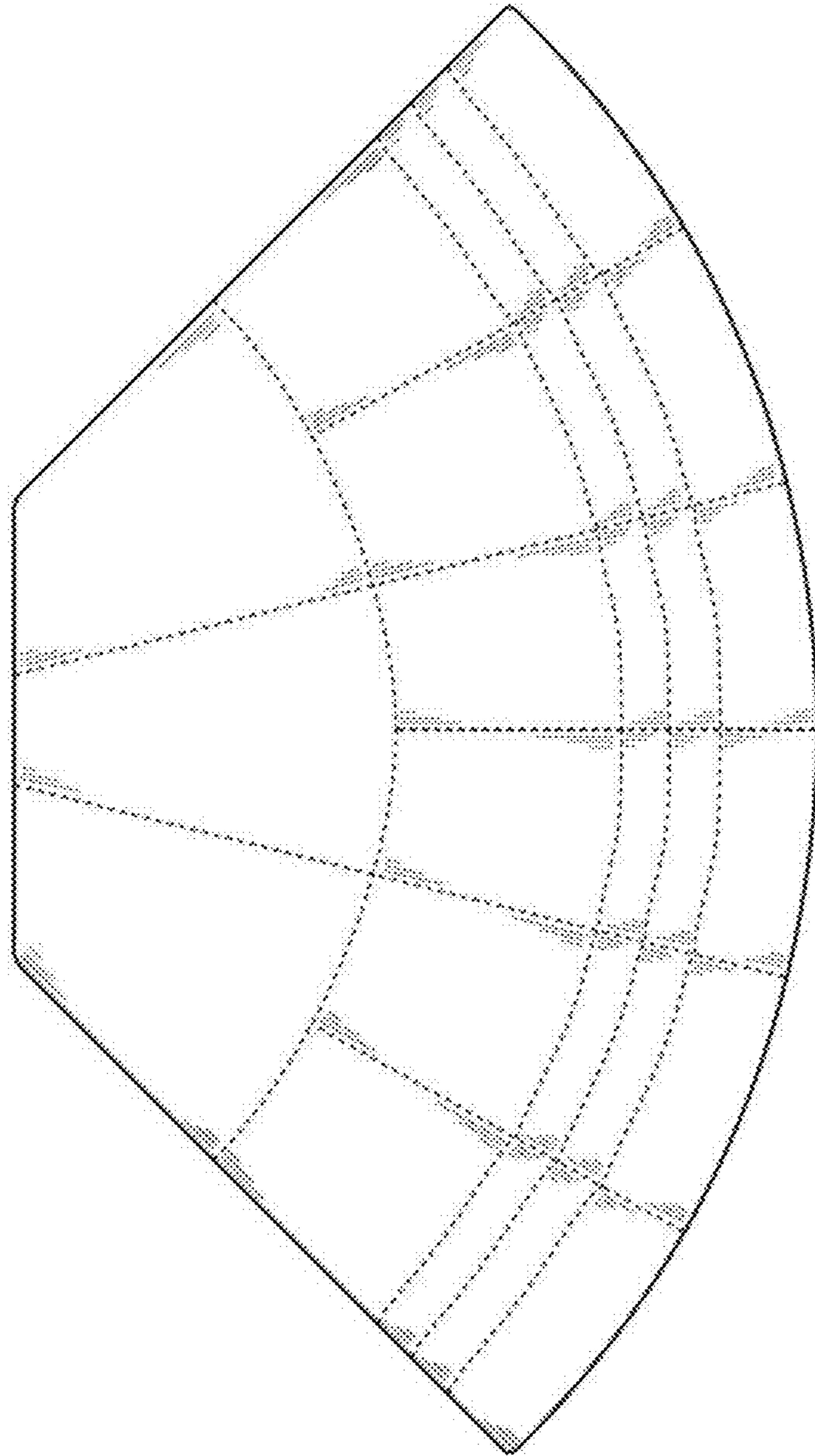


FIG. 4

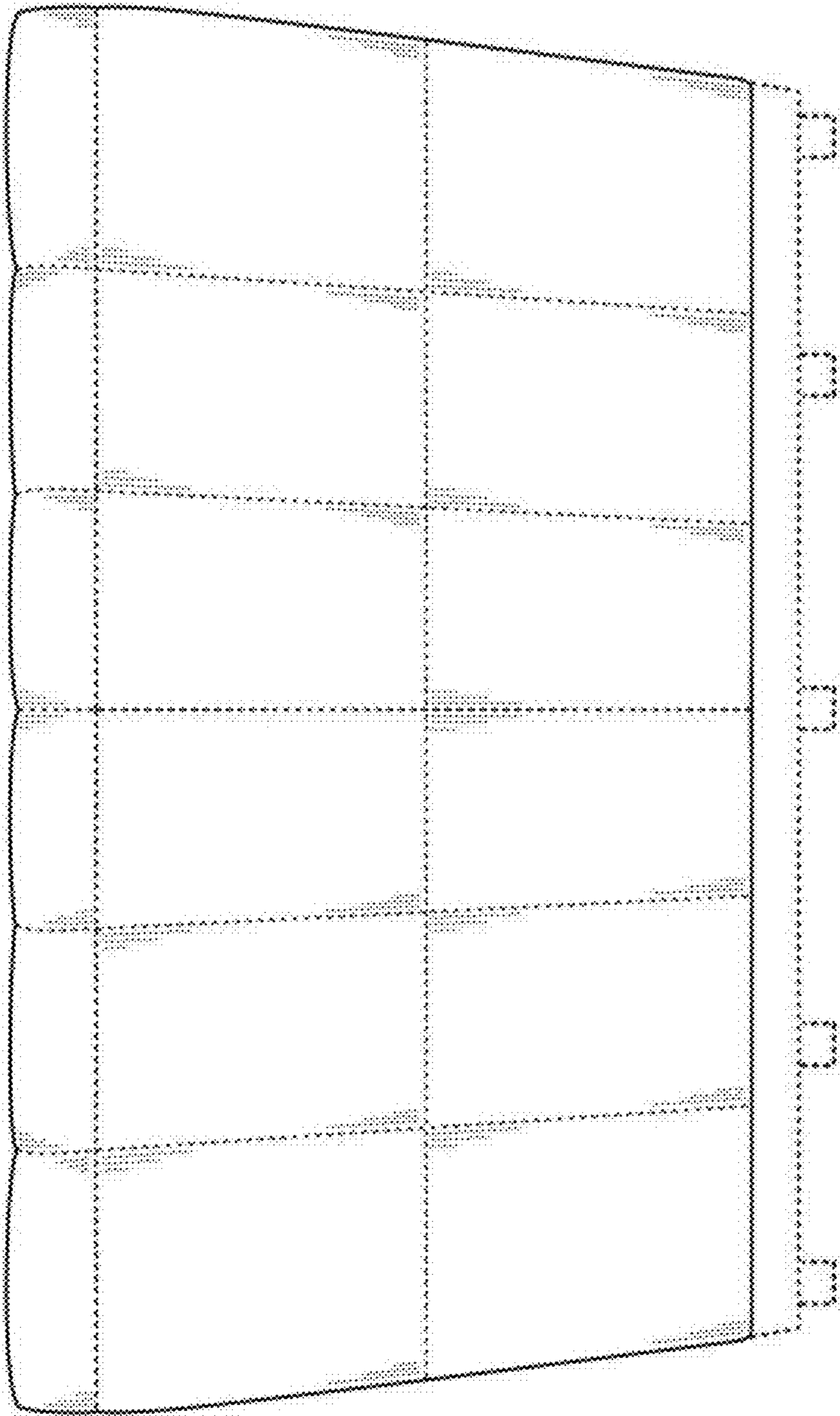


FIG. 5

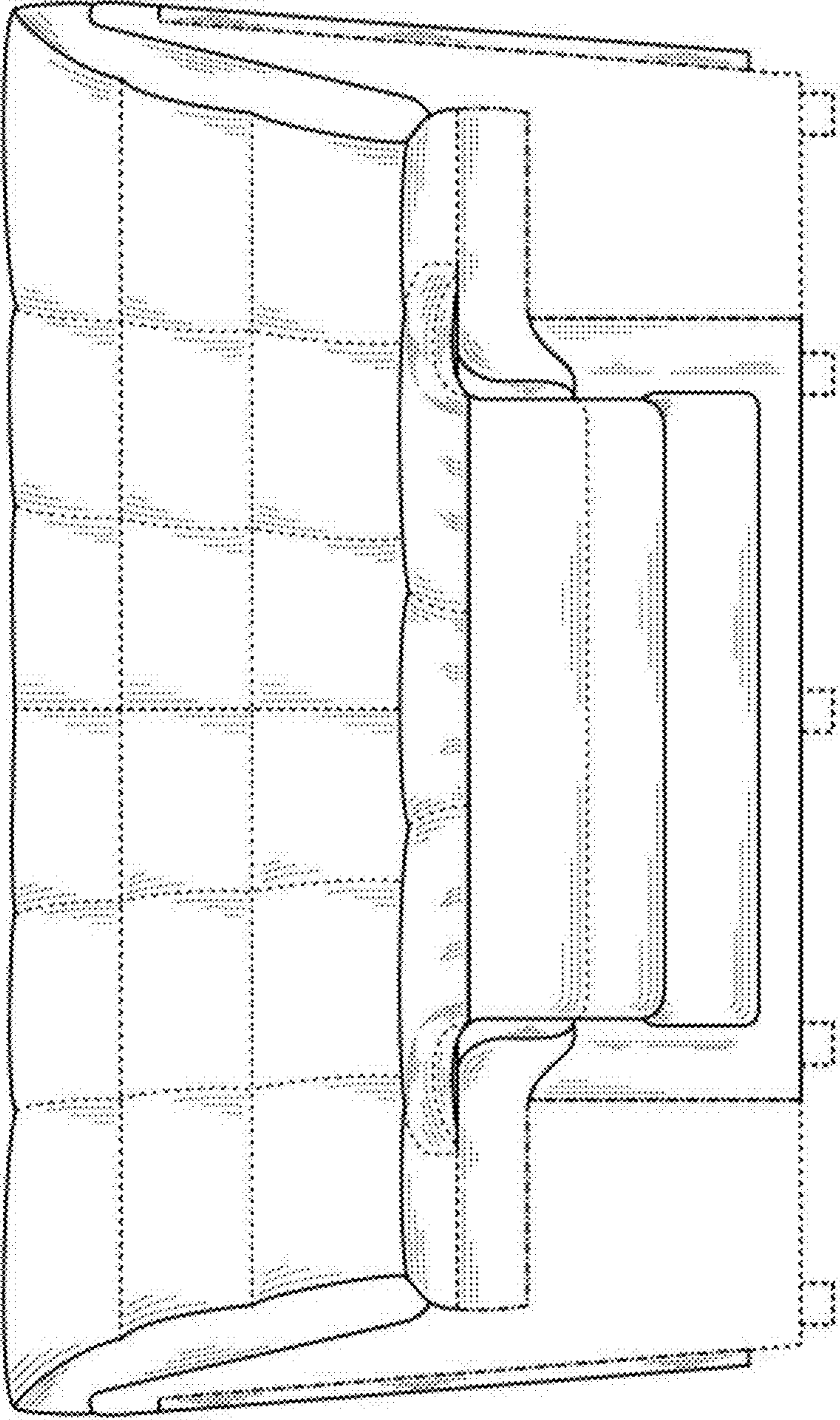


FIG. 6

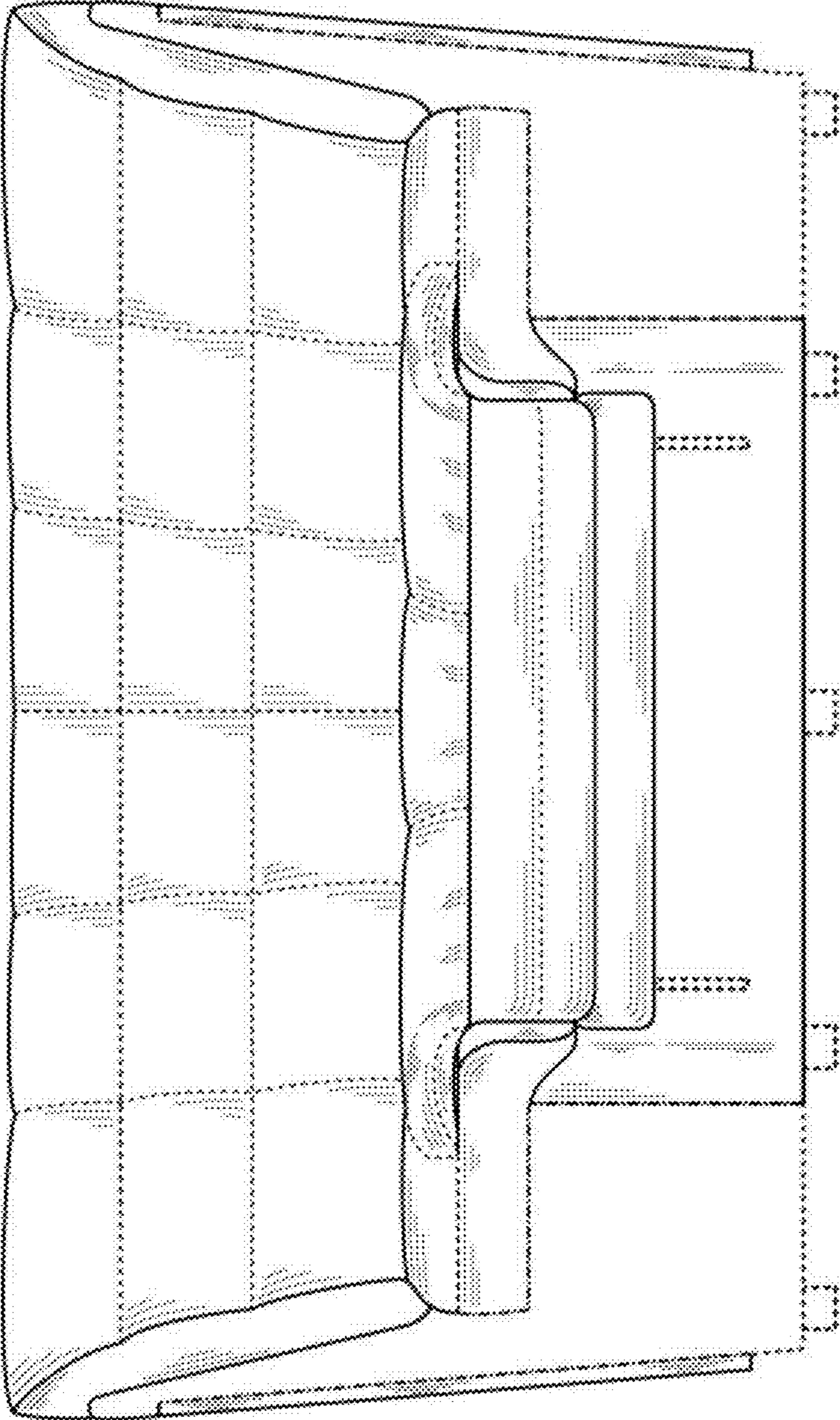


FIG. 7



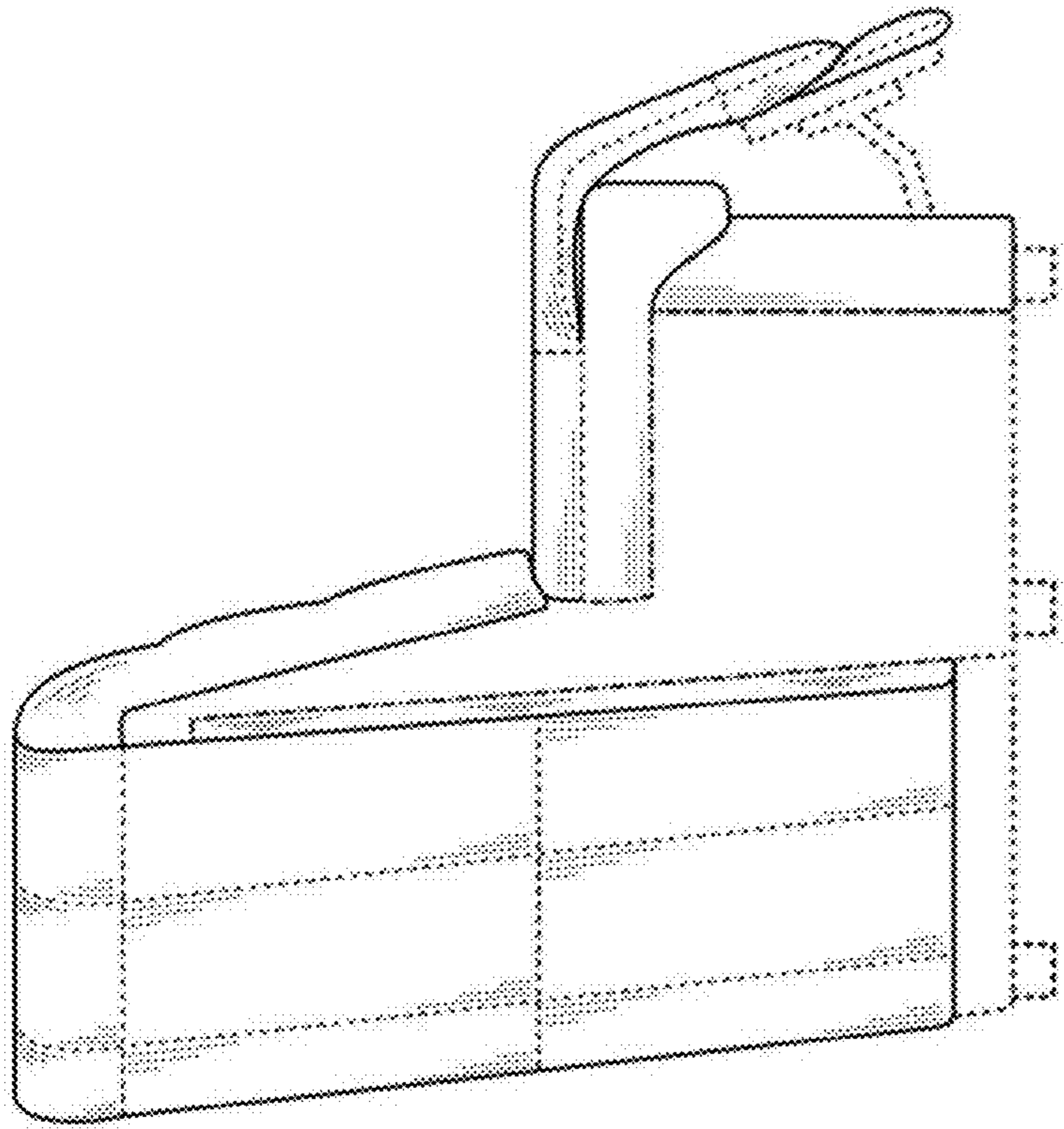


FIG. 8

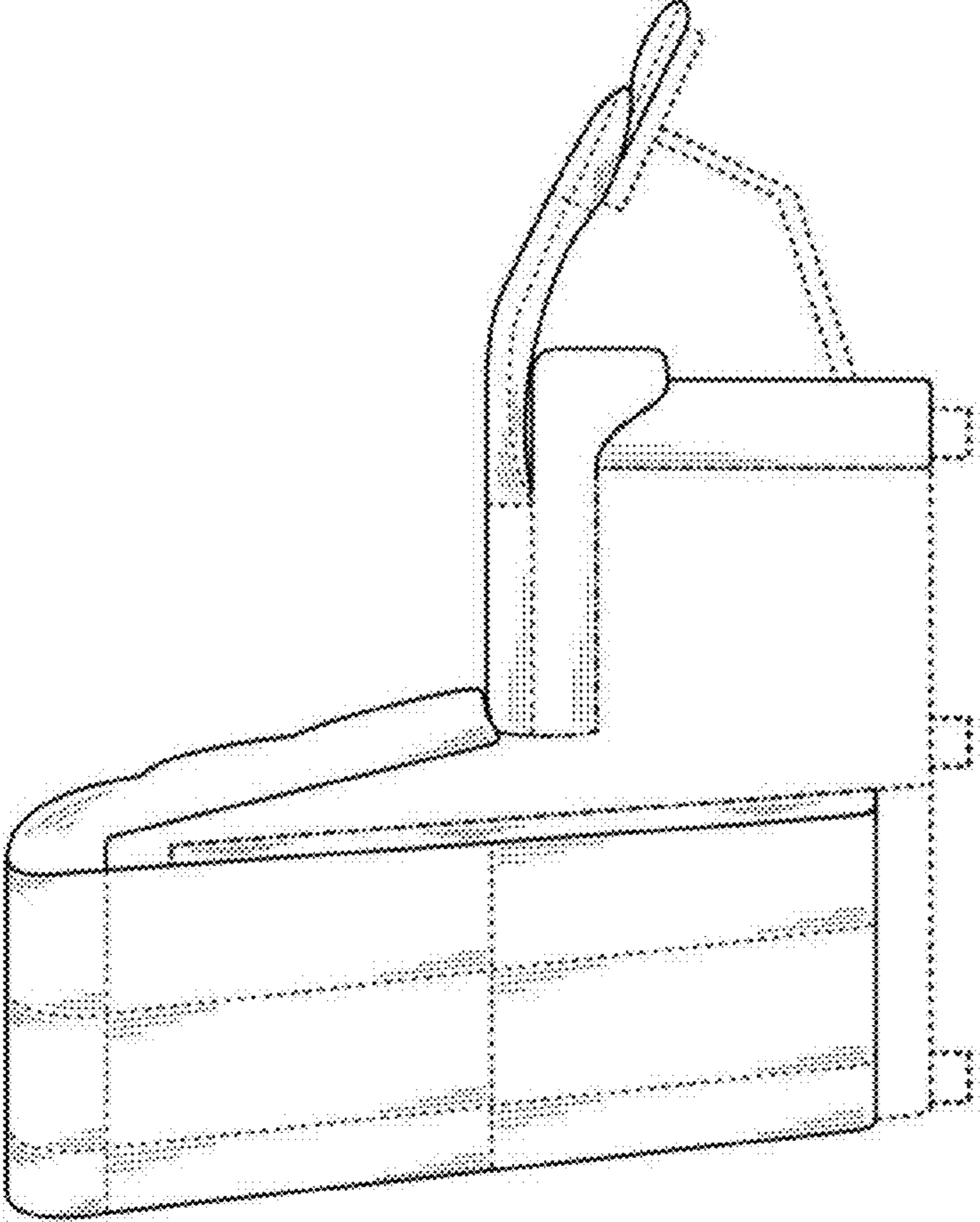


FIG. 9

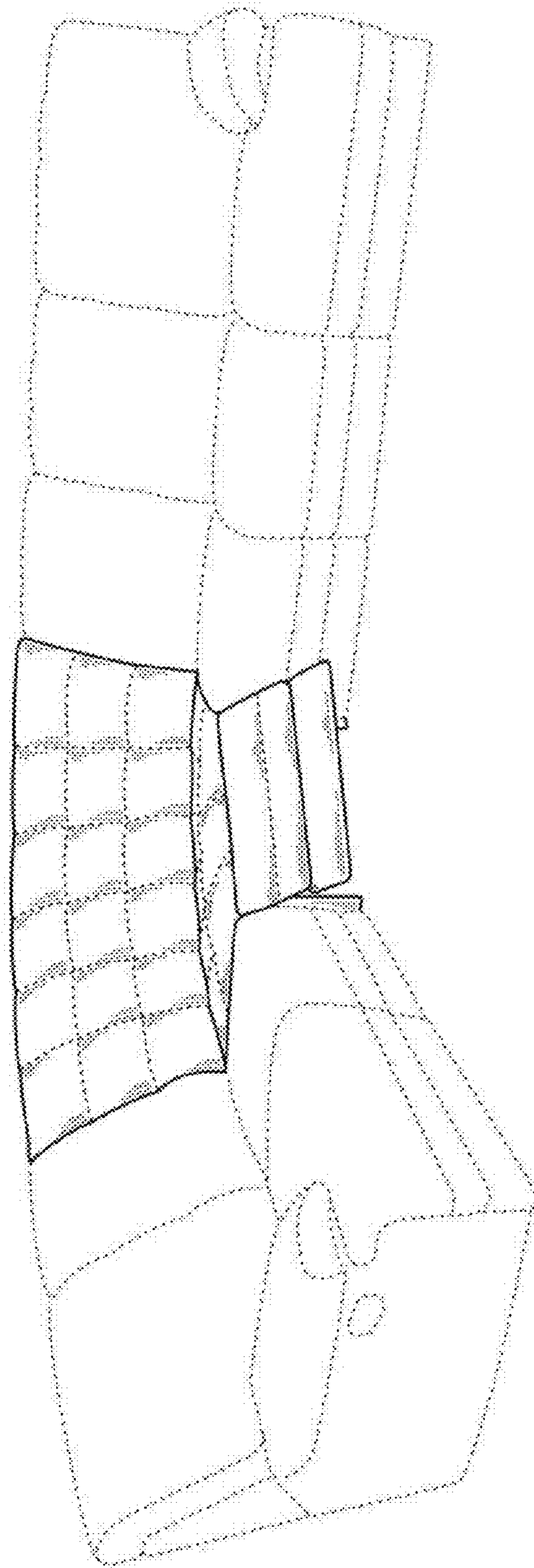


FIG. 10

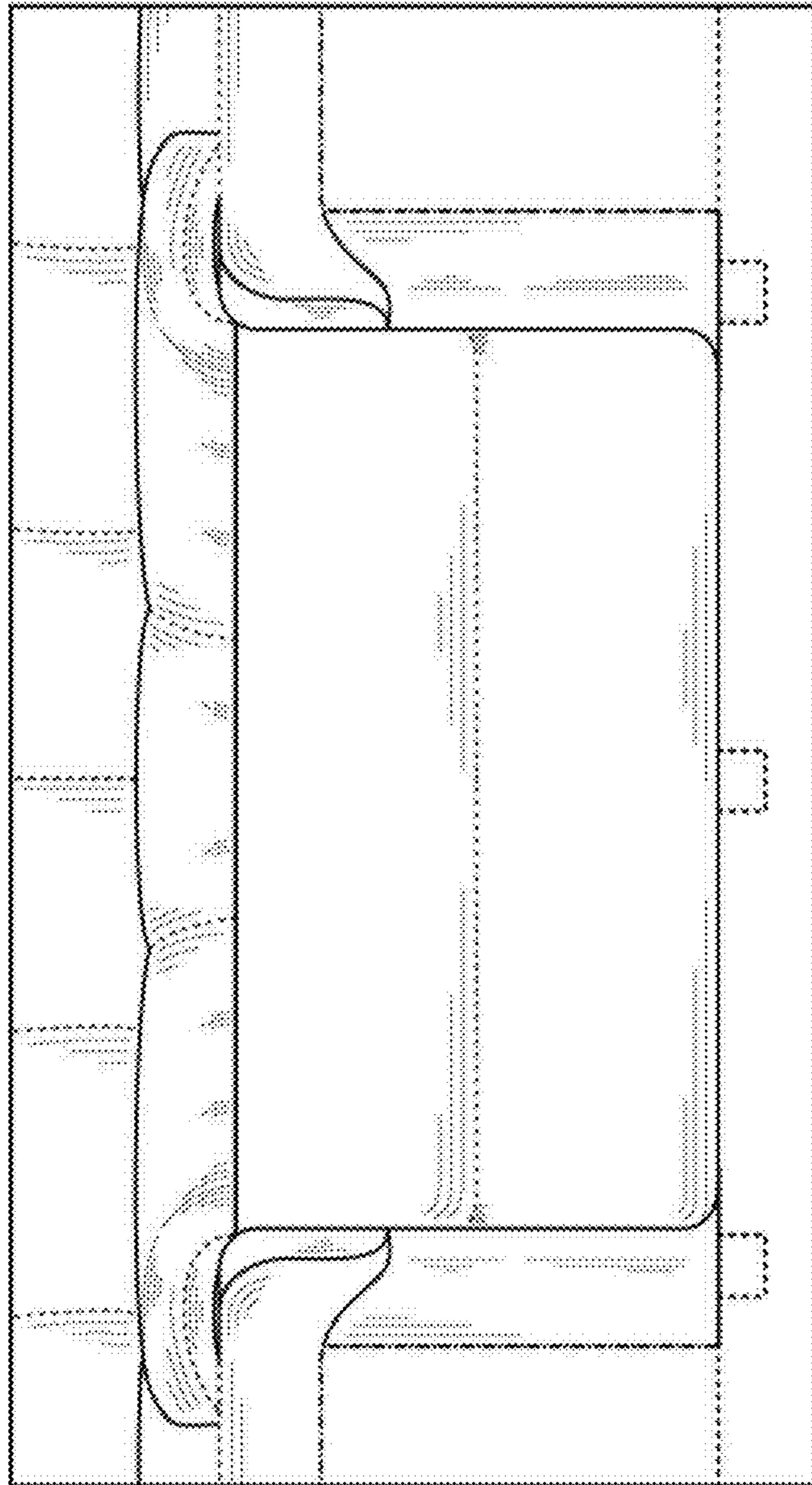


FIG. 11

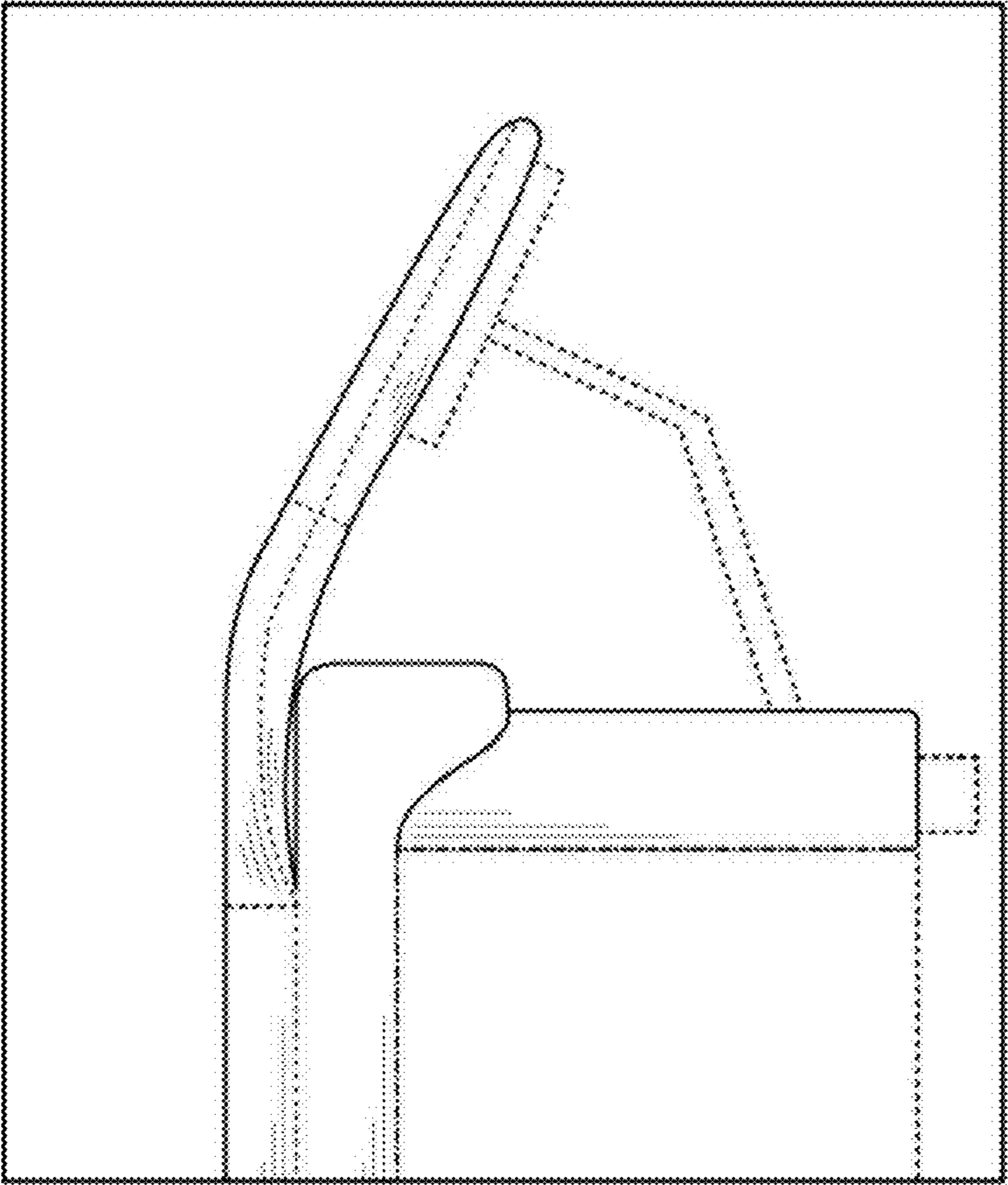


FIG. 12