

US00D712672S

(12) **United States Design Patent**  
**Farias, Jr. et al.**

(10) **Patent No.:** **US D712,672 S**  
(45) **Date of Patent:** **\*\* Sep. 9, 2014**

- (54) **HANGER**
- (71) Applicants: **Ernesto Farias, Jr.**, Brea, CA (US);  
**Angel Gonzalez**, Brea, CA (US)
- (72) Inventors: **Ernesto Farias, Jr.**, Brea, CA (US);  
**Angel Gonzalez**, Brea, CA (US)
- (\*\*) Term: **14 Years**
- (21) Appl. No.: **29/445,021**
- (22) Filed: **Feb. 6, 2013**

|                   |         |                |           |
|-------------------|---------|----------------|-----------|
| 5,823,360 A       | 10/1998 | Gorosave       |           |
| 5,833,078 A *     | 11/1998 | York           | 211/70.5  |
| D404,952 S        | 2/1999  | Bauer          |           |
| D493,056 S        | 7/2004  | Shornak        |           |
| D499,294 S        | 12/2004 | Scott          |           |
| D558,462 S *      | 1/2008  | Mattioli       | D6/320    |
| D609,080 S *      | 2/2010  | Schorn         | D6/552    |
| D632,911 S        | 2/2011  | Kolada         |           |
| D647,327 S *      | 10/2011 | Levin et al.   | D6/323    |
| D647,328 S *      | 10/2011 | Levin et al.   | D6/323    |
| 8,245,859 B2 *    | 8/2012  | Sargent        | 211/85.7  |
| 8,596,588 B1 *    | 12/2013 | Sikkema et al. | 248/58    |
| 2005/0194335 A1   | 9/2005  | Hibner         |           |
| 2006/0226321 A1   | 10/2006 | Tracy          |           |
| 2011/0100939 A1   | 5/2011  | Friesch        |           |
| 2012/0091087 A1 * | 4/2012  | Hines          | 211/86.01 |

**Related U.S. Application Data**

- (63) Continuation-in-part of application No. 29/441,350, filed on Jan. 3, 2013.
- (51) **LOC (10) Cl.** ..... **06-08**
- (52) **U.S. Cl.**  
USPC ..... **D6/323**
- (58) **Field of Classification Search**  
USPC ..... D6/315-328, 405, 552, 553, 554, 556,  
D6/567, 572; 223/85-98; 211/13.1, 10, 30,  
211/32, 49.1, 86.01, 87.01, 85.2, 85.7, 113,  
211/126.15, 126.16, 128.1; 248/214, 309.1  
See application file for complete search history.

\* cited by examiner

*Primary Examiner* — Derrick Holland  
*Assistant Examiner* — Lauren Calve

(74) *Attorney, Agent, or Firm* — QuickPatents; Kevin Prince

(57) **CLAIM**

We claim the ornamental design for a hanger, as shown and described.

**DESCRIPTION**

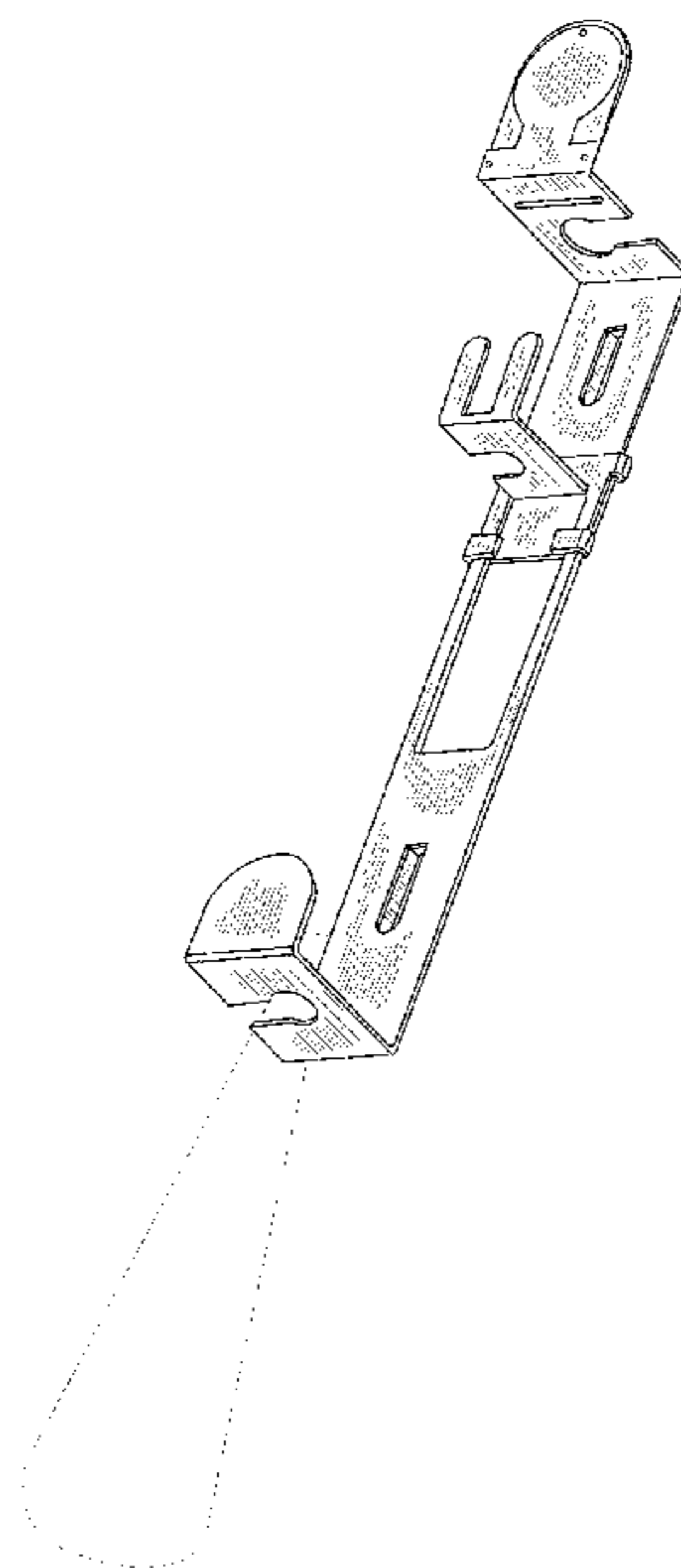
FIG. 1 is a perspective view of a hanger, showing our new design;  
FIG. 2 is a front elevational view thereof;  
FIG. 3 is a rear elevational view thereof;  
FIG. 4 is a left-side elevational view thereof;  
FIG. 5 is a right-side elevational view thereof;  
FIG. 6 is a top plan view thereof; and,  
FIG. 7 is a bottom plan view thereof.  
The broken lines shown in FIG. 1 represent unclaimed subject matter and form no part of the claimed design.

(56) **References Cited**

**U.S. PATENT DOCUMENTS**

|               |        |           |          |
|---------------|--------|-----------|----------|
| 1,860,384 A * | 5/1932 | Cocks     | 211/30   |
| 3,907,118 A * | 9/1975 | Pelavin   | 211/113  |
| 4,583,647 A * | 4/1986 | Schinzing | 211/60.1 |
| D342,854 S    | 1/1994 | Pentz     |          |
| D354,988 S *  | 1/1995 | Garza     | D19/85   |
| D356,002 S    | 3/1995 | Morgan    |          |
| D377,309 S *  | 1/1997 | Hofman    | D8/372   |

**1 Claim, 4 Drawing Sheets**



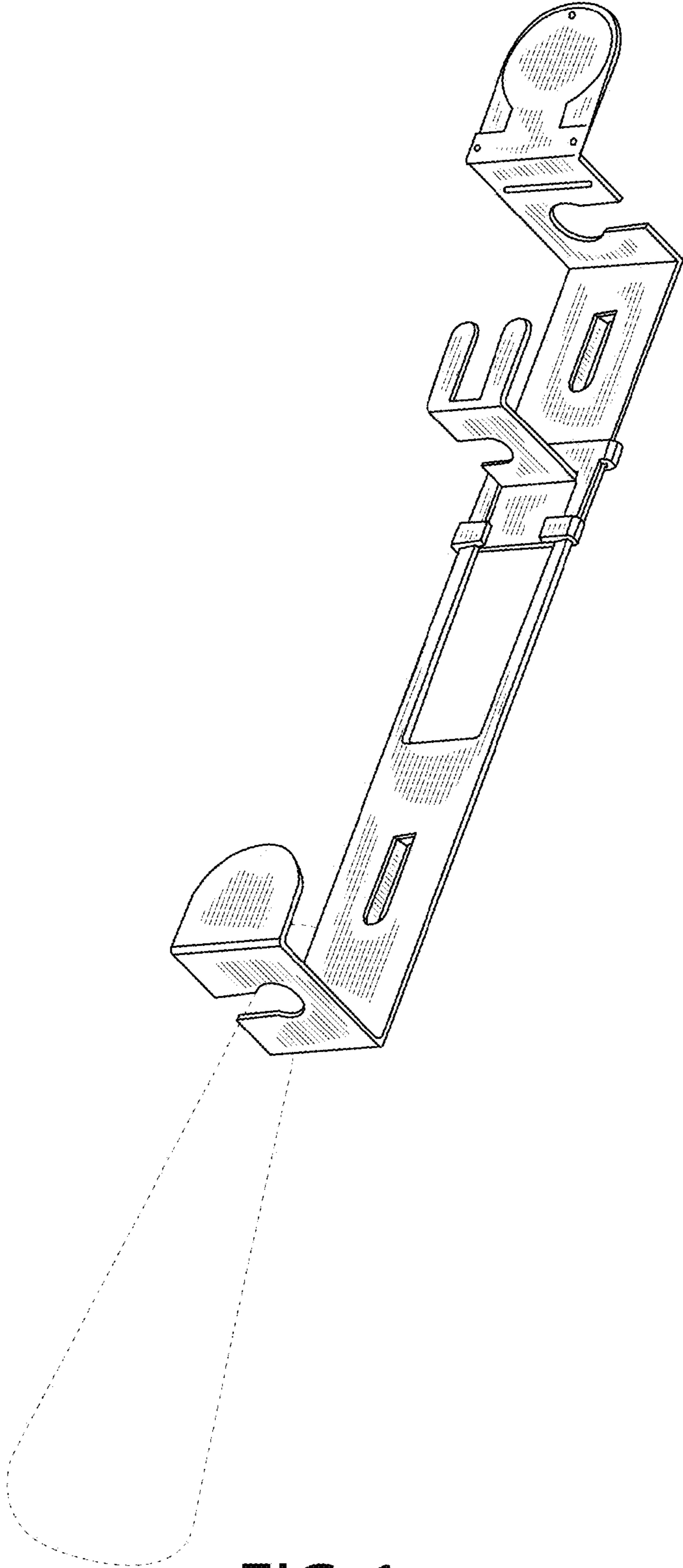


FIG. 1

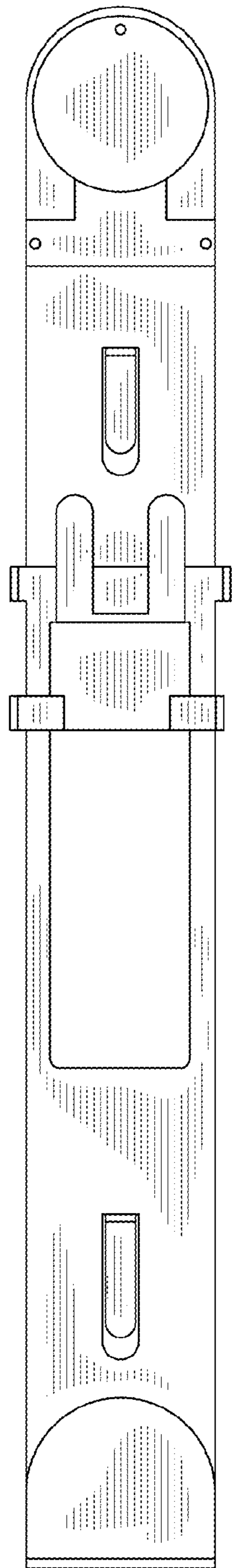


FIG. 2

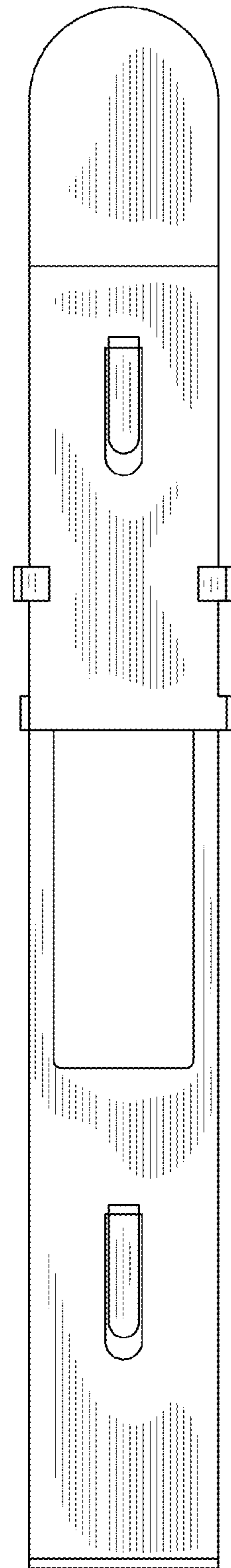


FIG. 3

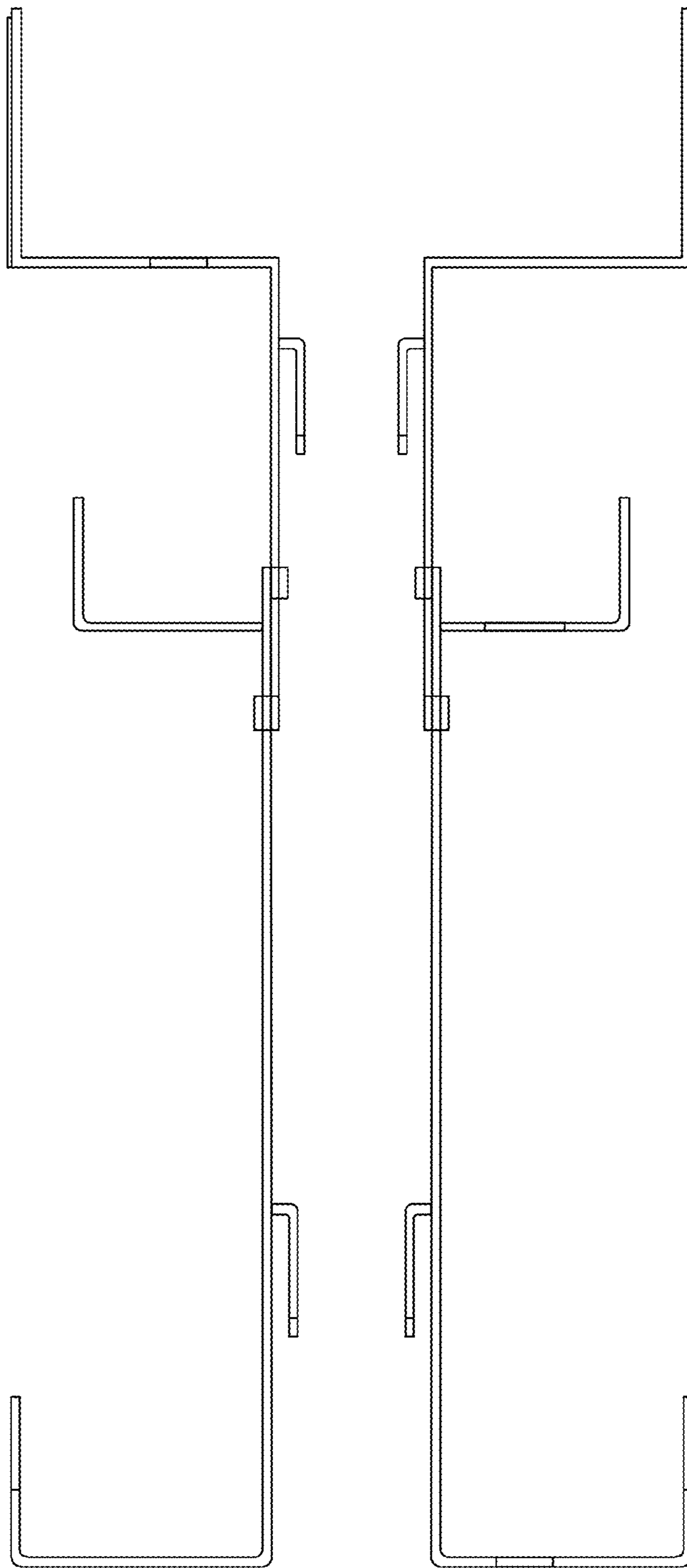


FIG. 4

FIG. 5

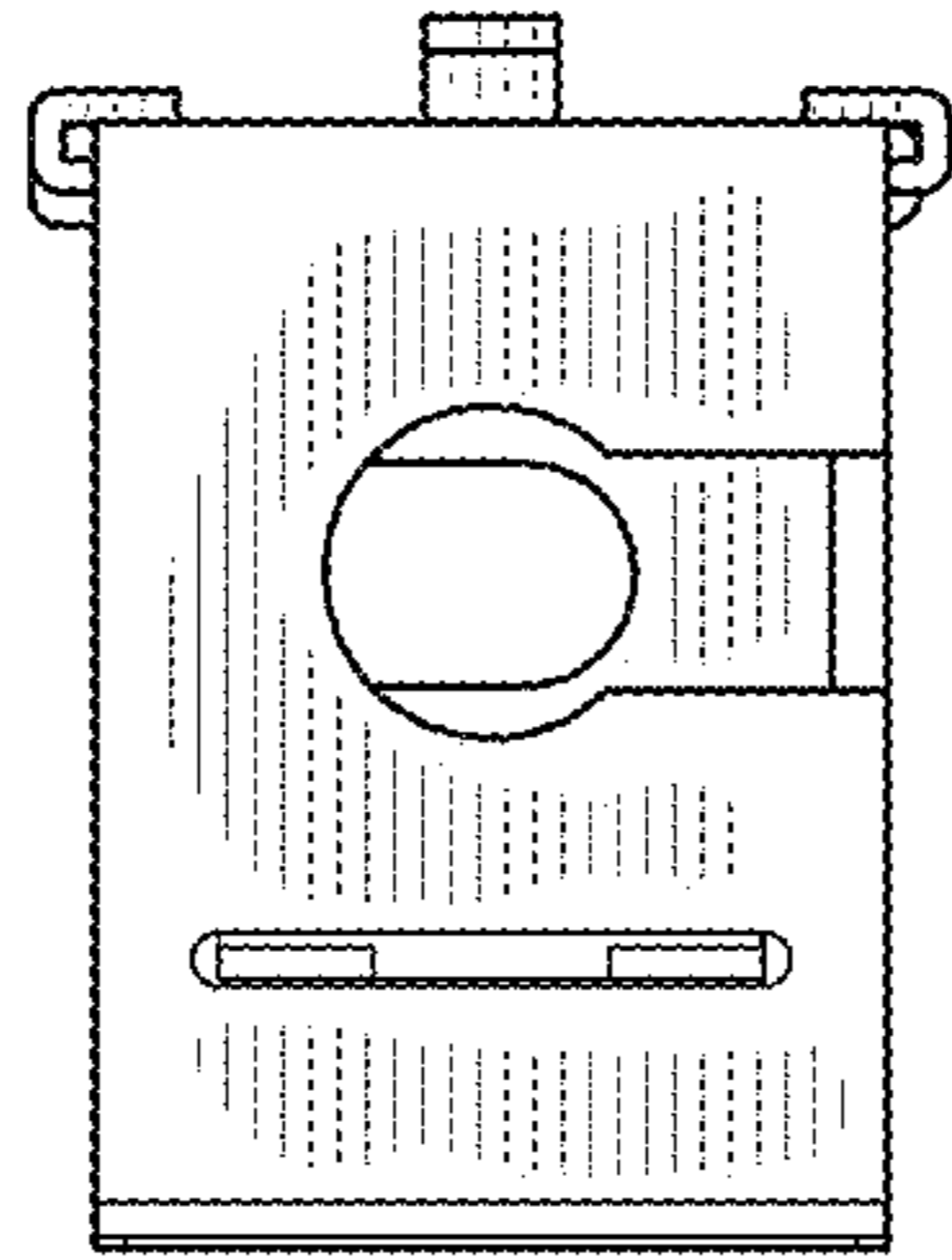


FIG. 6

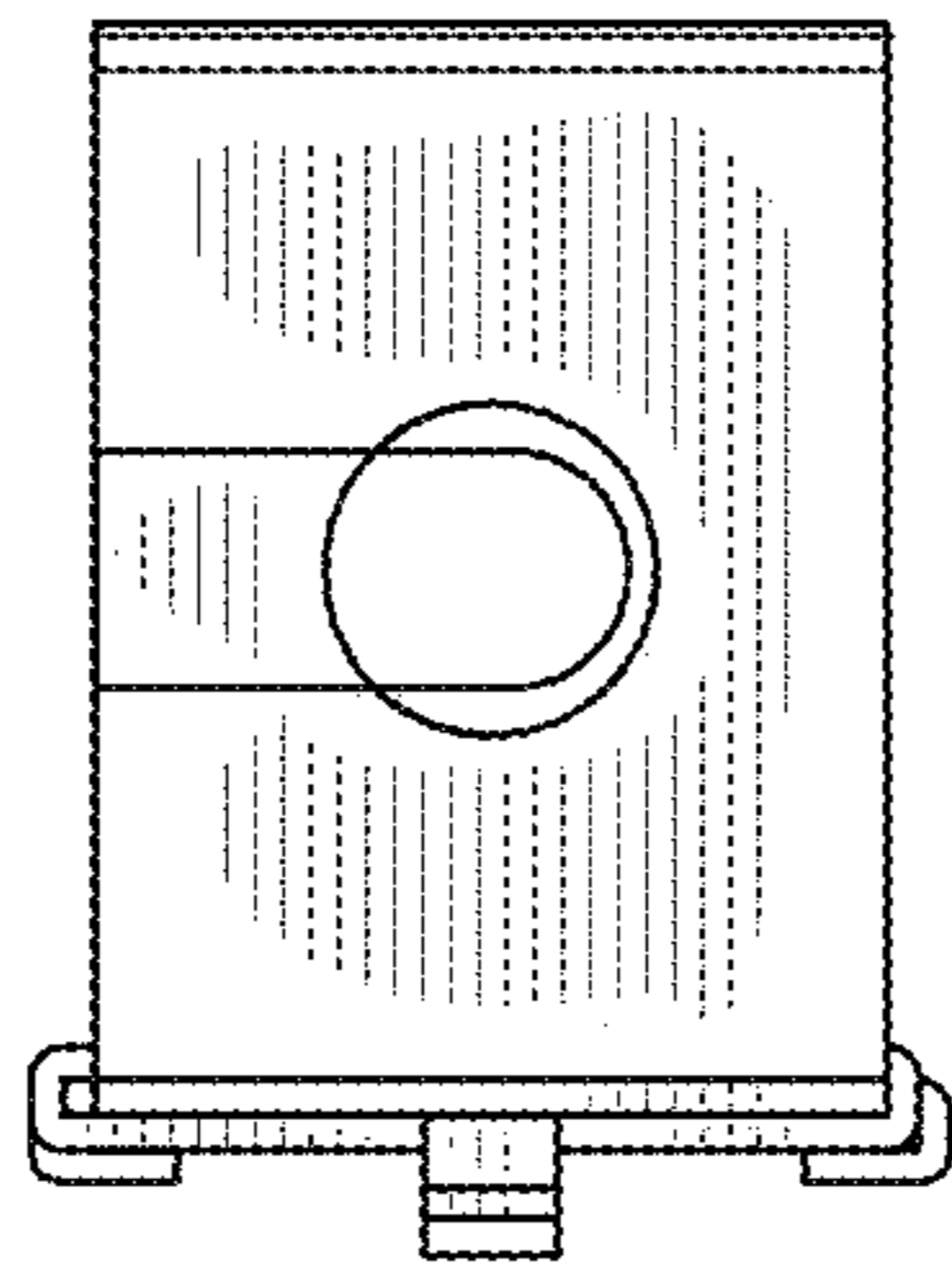


FIG. 7