



US00D712663S

(12) **United States Design Patent**  
**Gasparino**

(10) **Patent No.:** **US D712,663 S**

(45) **Date of Patent:** **\*\* Sep. 9, 2014**

(54) **HANDBAG ATTACHMENT CLIP**

D685,190 S \* 7/2013 Serrano ..... D3/318  
D692,240 S \* 10/2013 Erdkamp et al. .... D3/318

(71) Applicant: **Richards Homewares, Inc.**, Portland,  
OR (US)

\* cited by examiner

(72) Inventor: **Joseph Gasparino**, Peekskill, NY (US)

*Primary Examiner* — Holly Baynham

(73) Assignee: **Richards Homewares, Inc.**, Portland,  
OR (US)

(74) *Attorney, Agent, or Firm* — Chernoff Vilhauer  
McClung & Stenzel, LLP

(\*\*) Term: **14 Years**

(57) **CLAIM**

The ornamental design for a handbag attachment clip, as shown and described.

(21) Appl. No.: **29/454,099**

**DESCRIPTION**

(22) Filed: **May 6, 2013**

(51) **LOC (10) Cl.** ..... **03-01**

(52) **U.S. Cl.**  
USPC ..... **D3/328**

(58) **Field of Classification Search**  
USPC ..... D3/328; 294/137; 150/100, 103–110,  
150/113–114, 117–119  
See application file for complete search history.

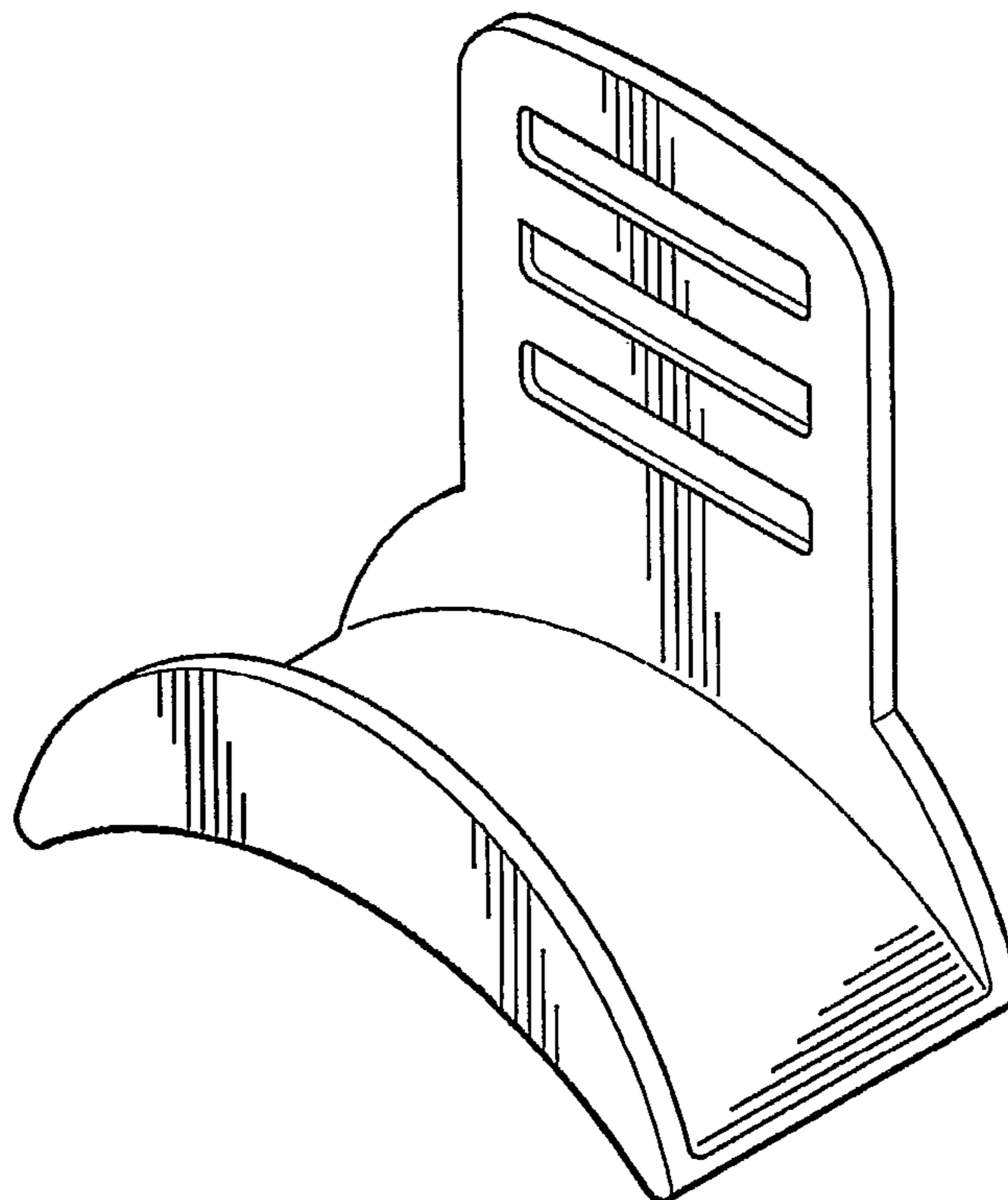
FIG. 1 is a perspective view looking from above and the front of a handbag attachment clip embodying my new design; FIG. 2 is a perspective view thereof looking from above and the rear; FIG. 3 is a first end elevational view thereof; FIG. 4 is the opposite end elevational view thereof; FIG. 5 is a first side elevational view thereof, the opposite side elevational view being a mirror image thereof; FIG. 6 is a top plan view thereof; FIG. 7 is a bottom plan view thereof; and, FIG. 8 is a cross-sectional view through taken along the line 8-8 in FIG. 3.

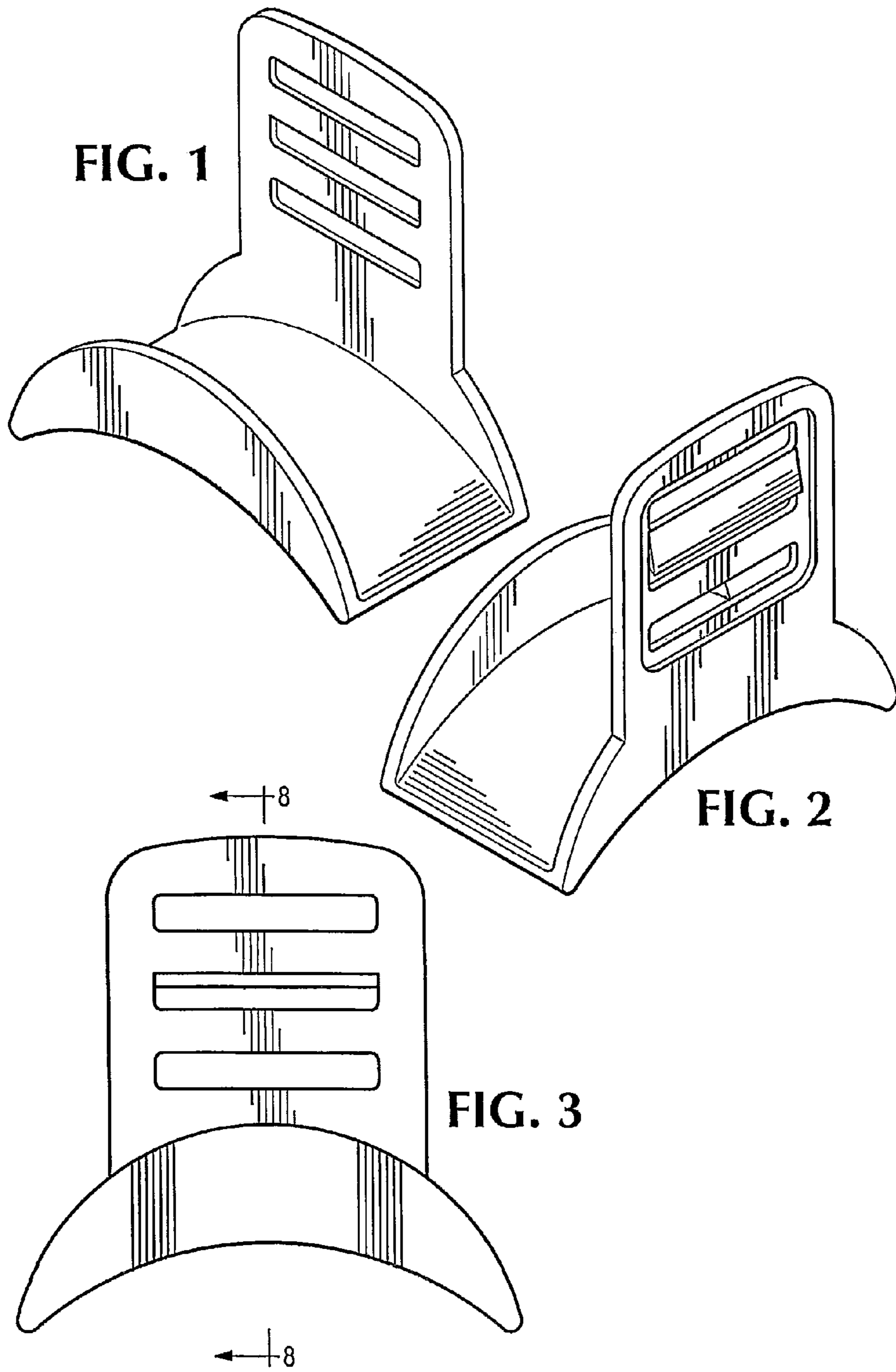
(56) **References Cited**

U.S. PATENT DOCUMENTS

D498,592 S \* 11/2004 Kelley ..... D3/328  
D666,832 S \* 9/2012 Kinsky et al. .... D3/318

**1 Claim, 2 Drawing Sheets**





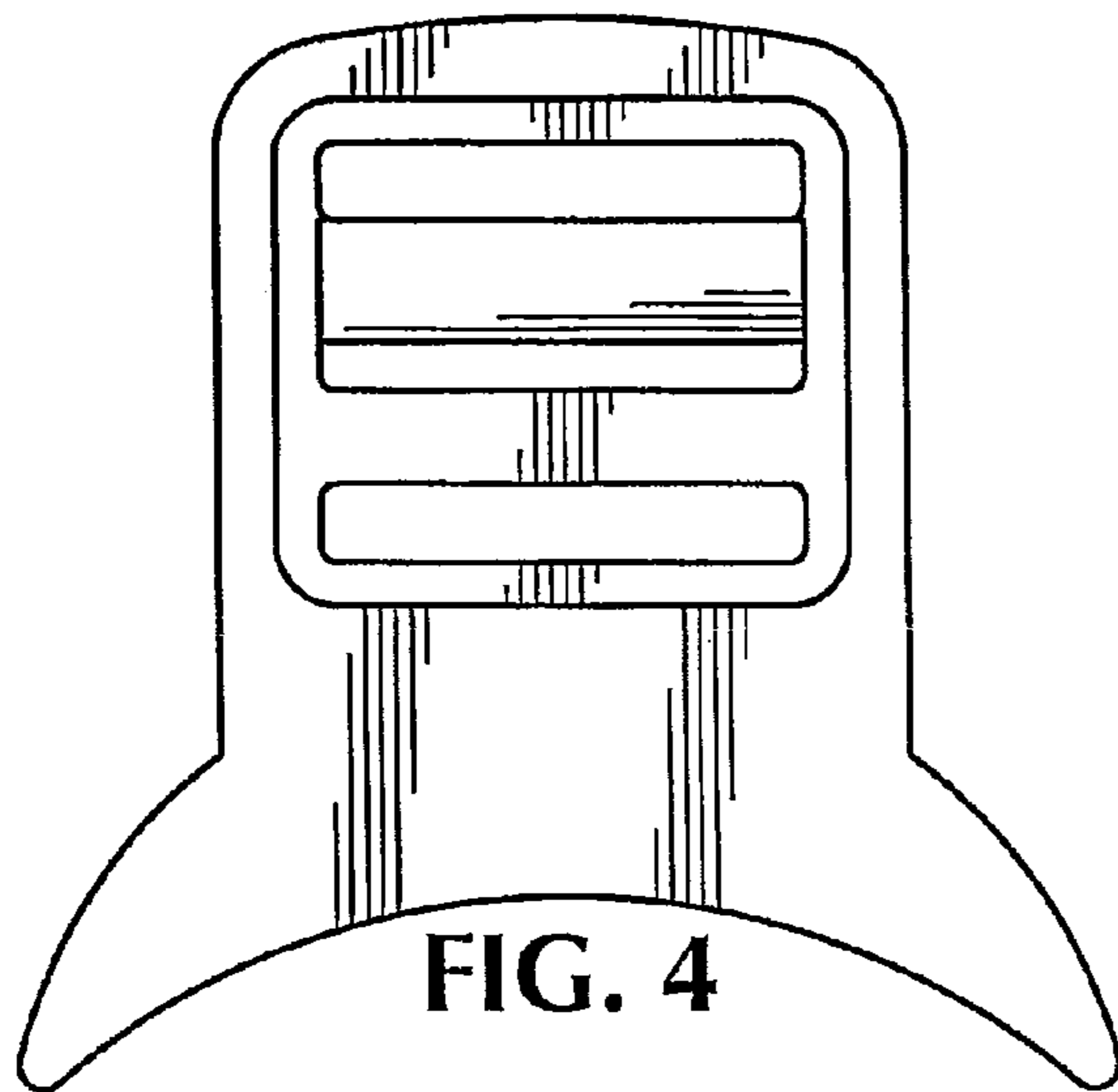


FIG. 4

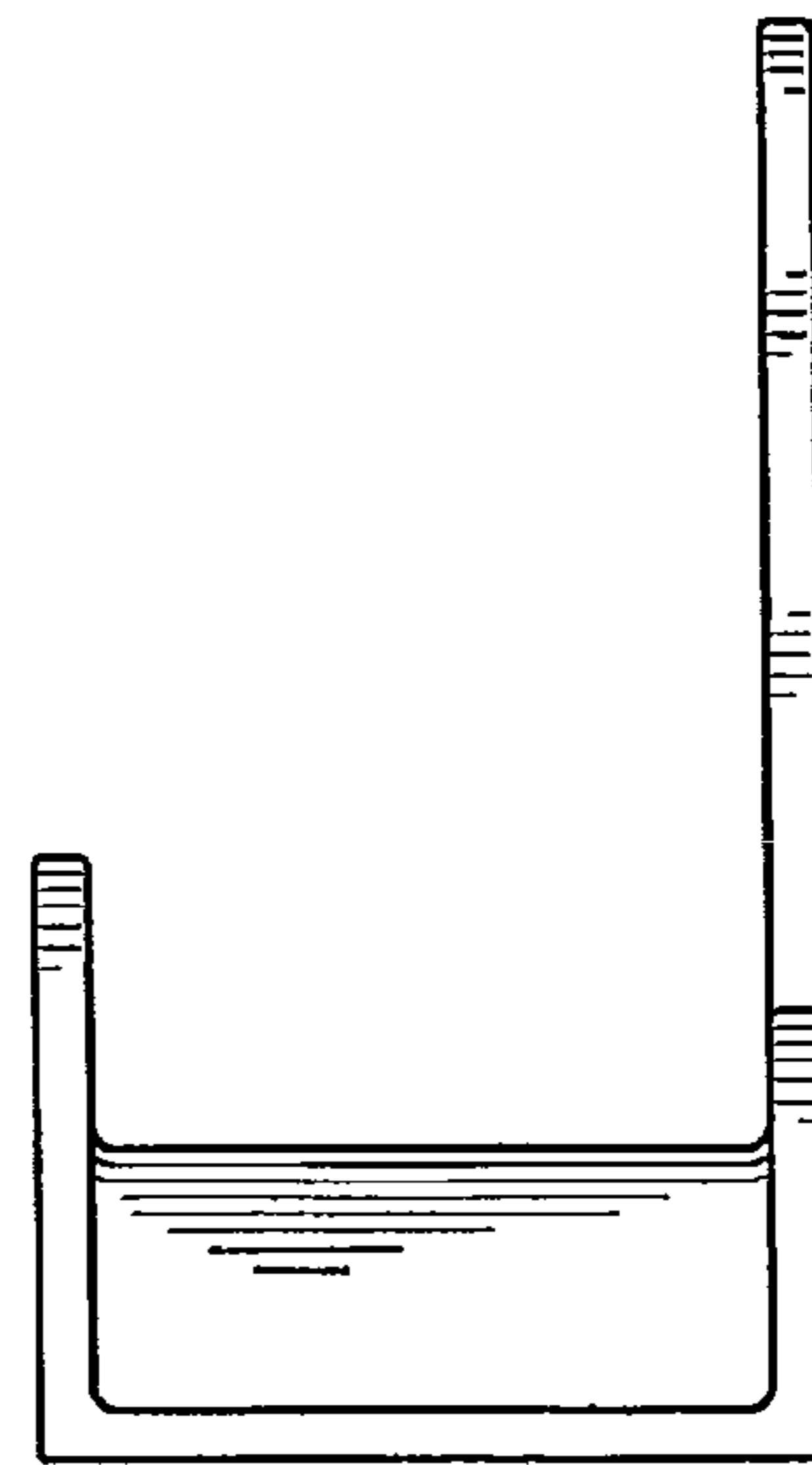


FIG. 5

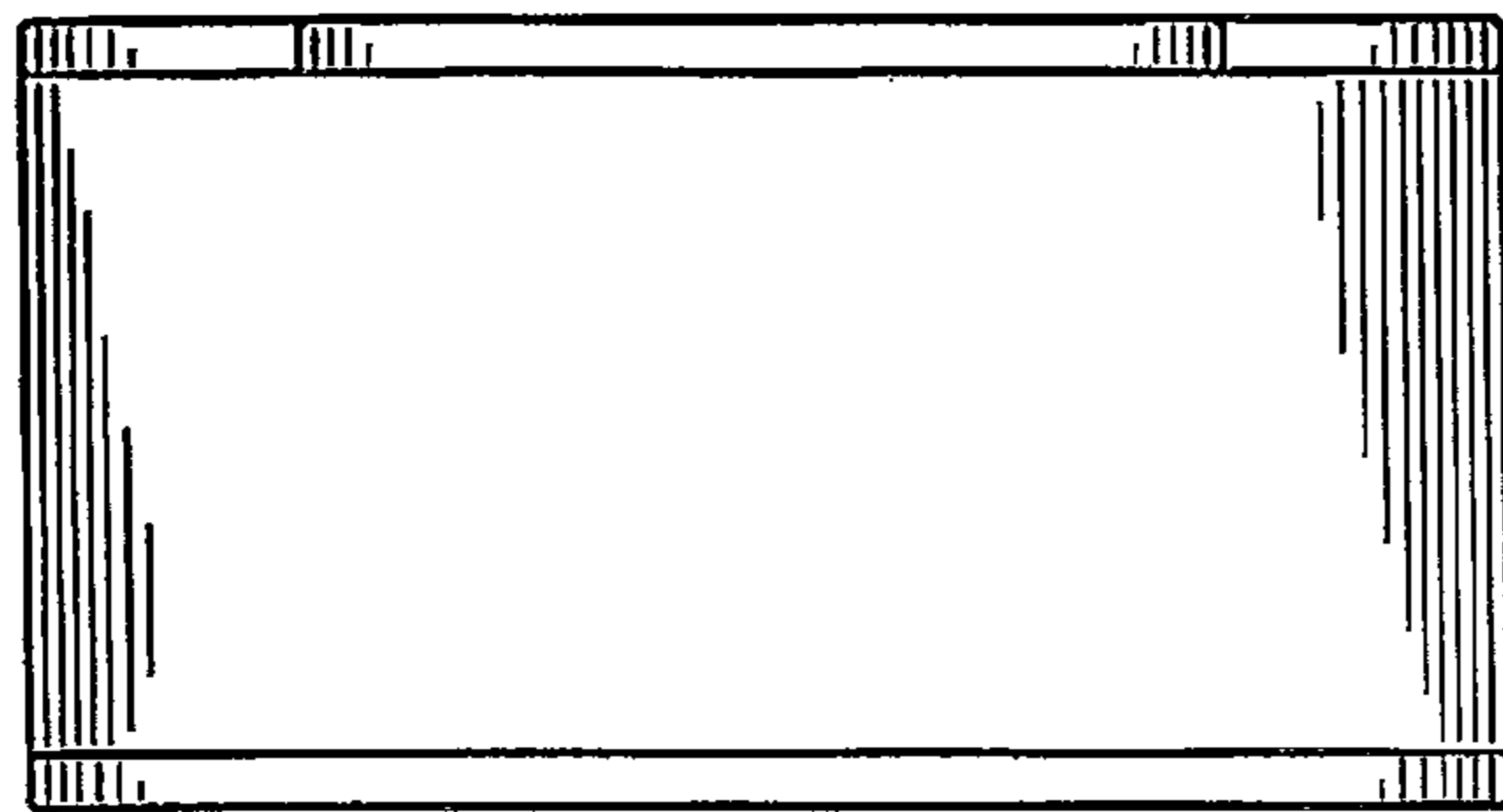


FIG. 6

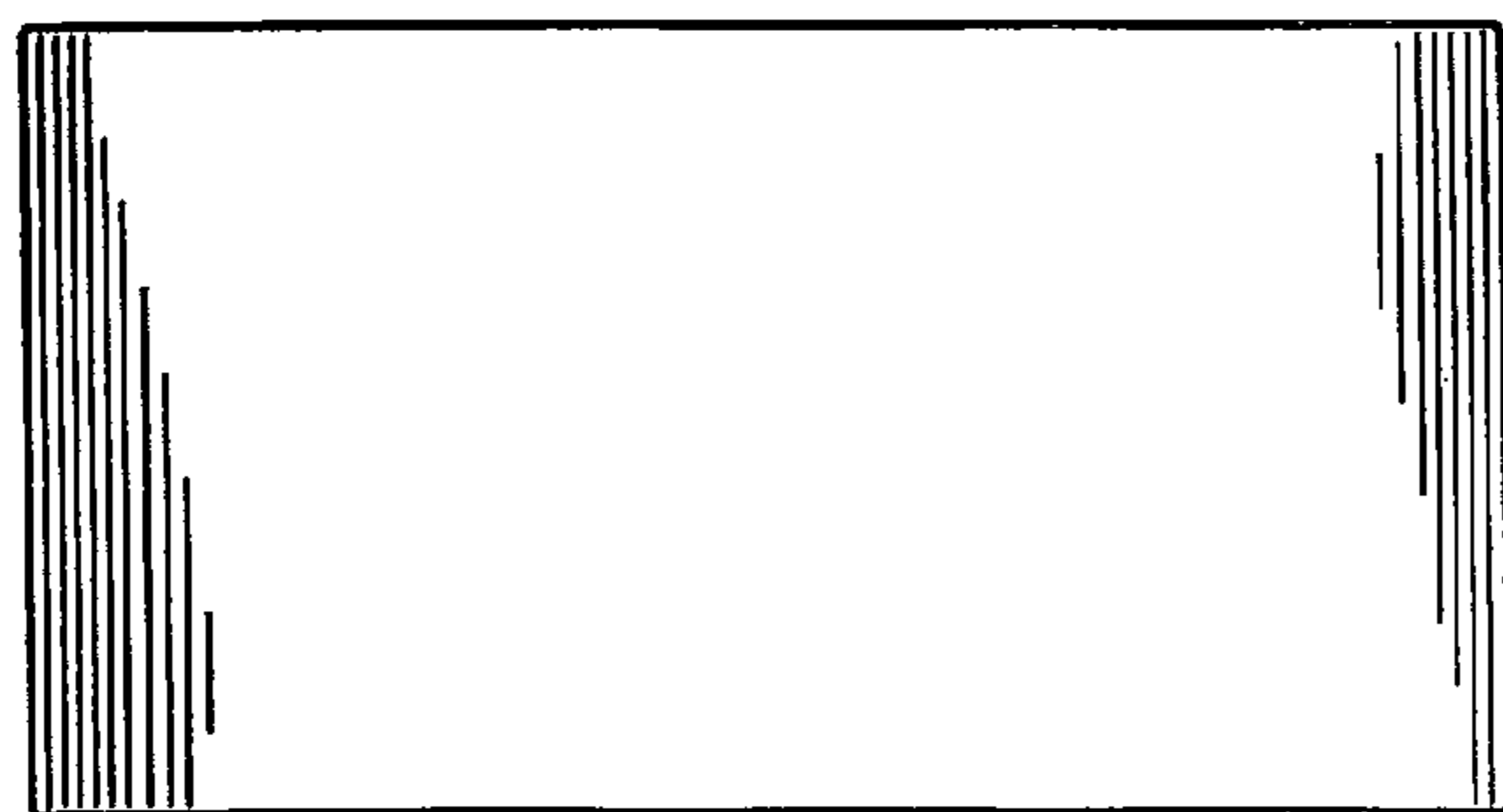


FIG. 7

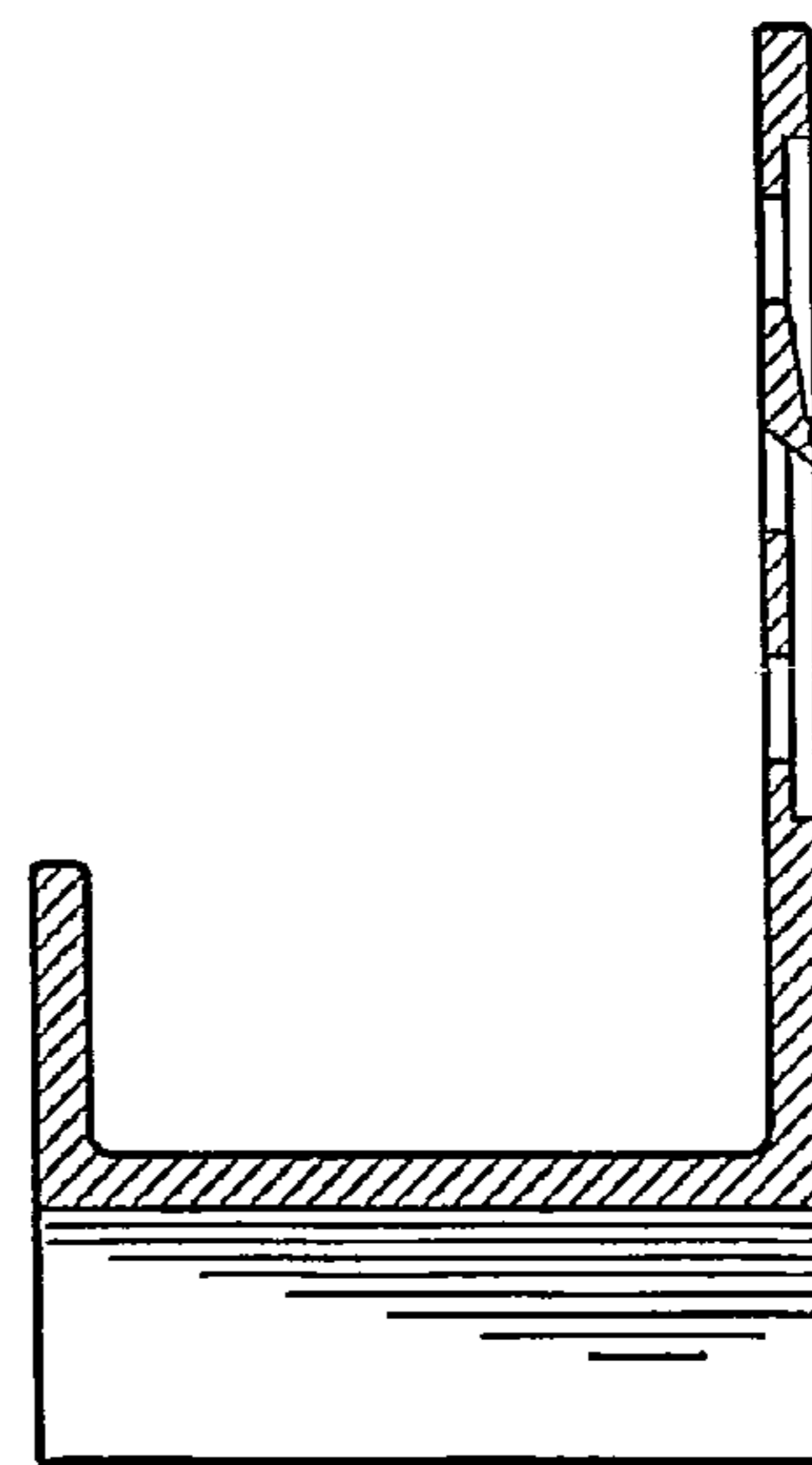


FIG. 8