



US00D712662S

(12) **United States Design Patent**
Lai

(10) **Patent No.:** **US D712,662 S**
(45) **Date of Patent:** **** Sep. 9, 2014**

(54) **OUTER COVER OF A LUGGAGE CASE**

(71) Applicant: **Wei-Hung Lai**, Taichung (TW)

(72) Inventor: **Wei-Hung Lai**, Taichung (TW)

(**) Term: **14 Years**

(21) Appl. No.: **29/468,684**

(22) Filed: **Oct. 2, 2013**

(51) **LOC (10) Cl.** **03-01**

(52) **U.S. Cl.**
USPC **D3/321**

(58) **Field of Classification Search**
USPC D3/273, 276, 279, 283, 284, 285, 289,
D3/301, 318, 319, 321, 902; 190/18 A,
190/100, 103, 104, 107, 109, 111-113, 115,
190/116, 119

See application file for complete search history.

(56) **References Cited**

U.S. PATENT DOCUMENTS

D381,511 S *	7/1997	Krulik	D3/279
D389,308 S *	1/1998	King et al.	D3/279
6,102,172 A *	8/2000	Dercole	190/18 A
6,213,266 B1 *	4/2001	Hollingsworth	190/108
6,213,267 B1 *	4/2001	Miller	190/108

D455,262 S *	4/2002	Krulik	D3/279
D597,309 S *	8/2009	Jongchul	D3/279
D600,450 S *	9/2009	Coughlin	D3/319
D640,868 S *	7/2011	Jongchul	D3/279
2008/0110711 A1 *	5/2008	Coughlin	190/9

* cited by examiner

Primary Examiner — Garth Rademaker

Assistant Examiner — Lilyana Bekic

(74) *Attorney, Agent, or Firm* — Banger Shia

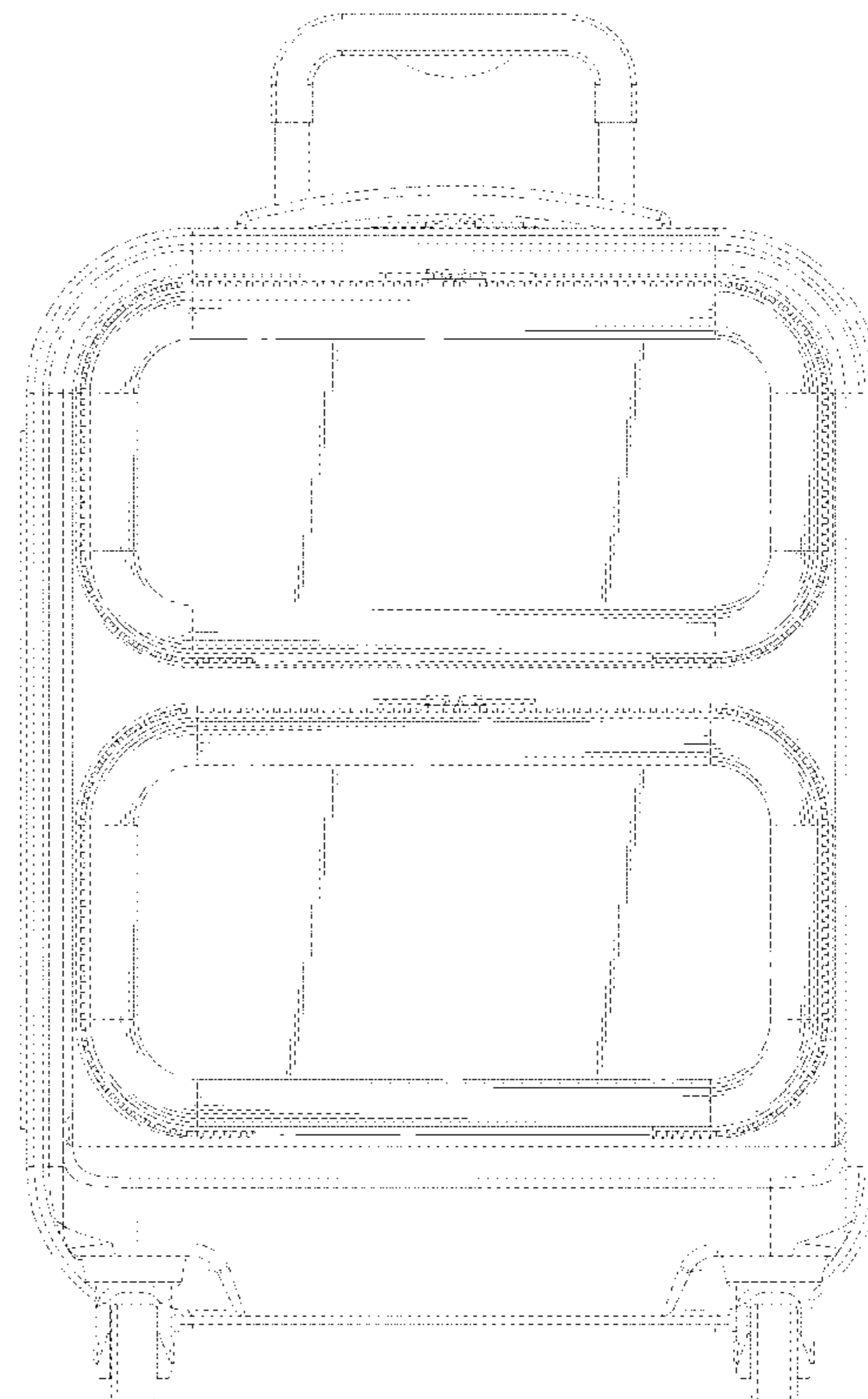
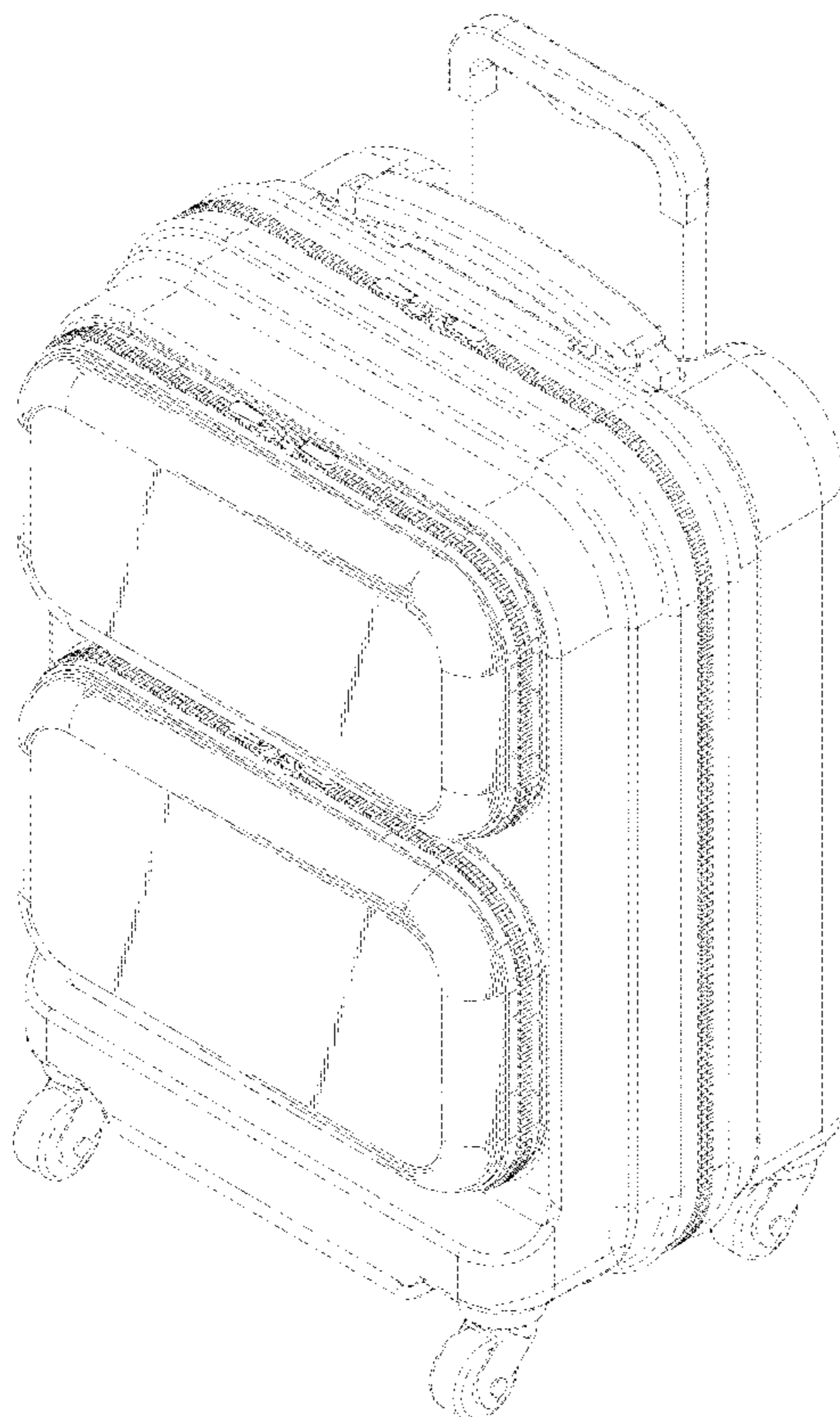
(57) **CLAIM**

The ornamental design for an outer cover of a luggage case, as shown and described.

DESCRIPTION

FIG. 1 is a perspective view of an outer cover of a luggage case showing my new design;
FIG. 2 is a front elevational view thereof;
FIG. 3 is a rear elevational view thereof;
FIG. 4 is a left side elevational view thereof;
FIG. 5 is a right side elevational view thereof;
FIG. 6 is a top plan view thereof;
FIG. 7 is a bottom plan view thereof; and,
FIG. 8 is a perspective view thereof shown in use.
The broken line showing of the luggage case illustrates the environment of the claimed design and forms no part thereof.

1 Claim, 8 Drawing Sheets



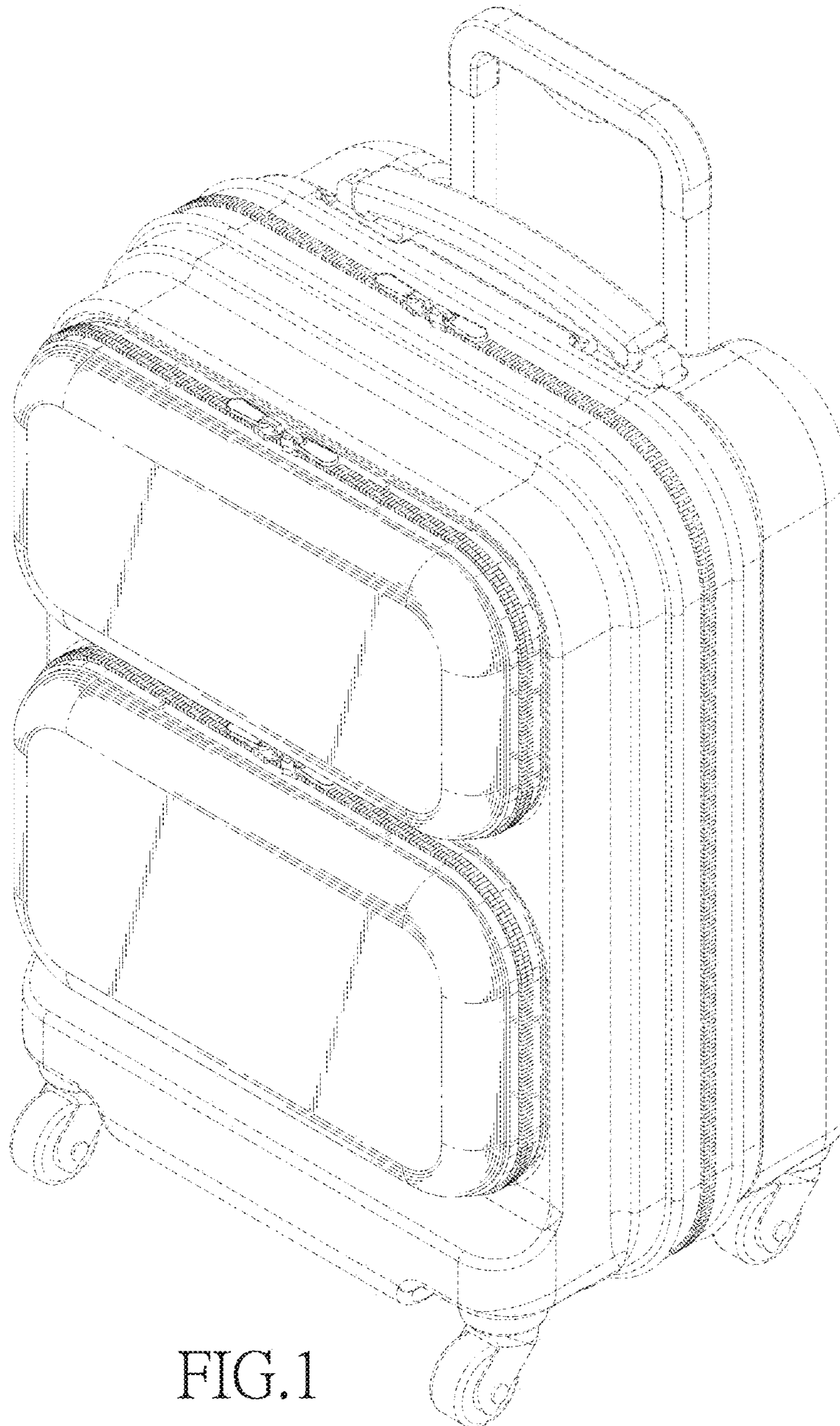


FIG. 1

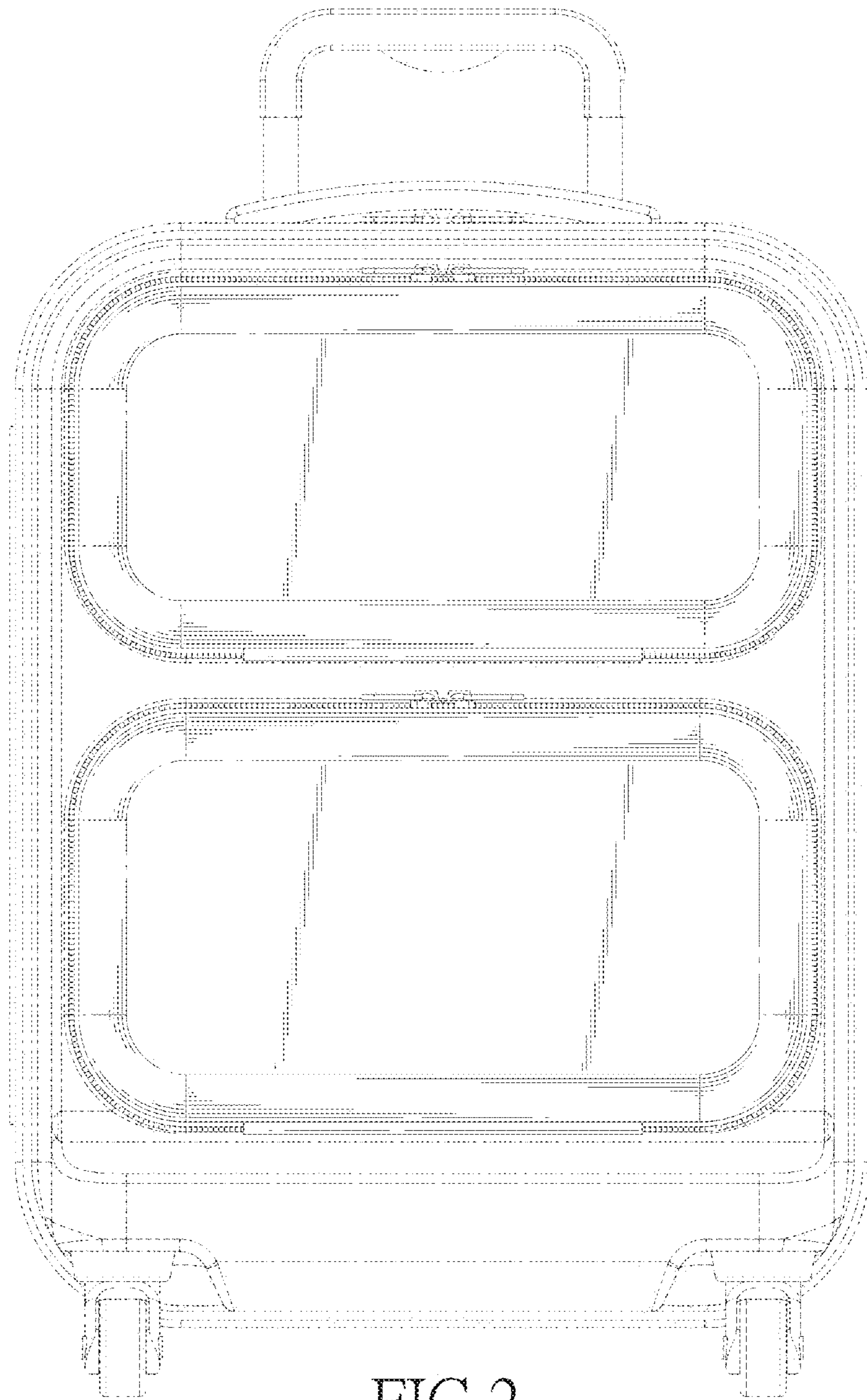


FIG. 2

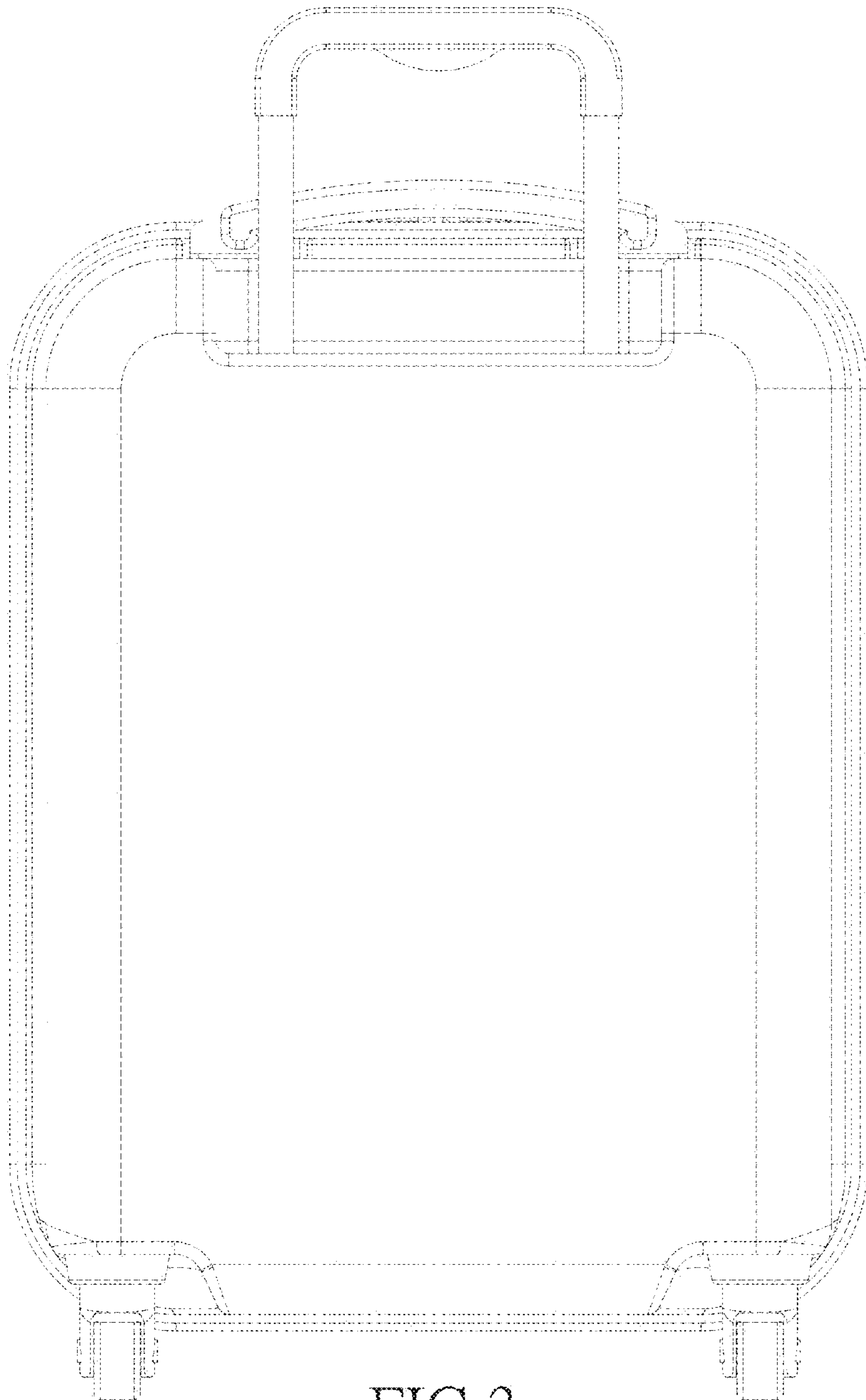


FIG.3

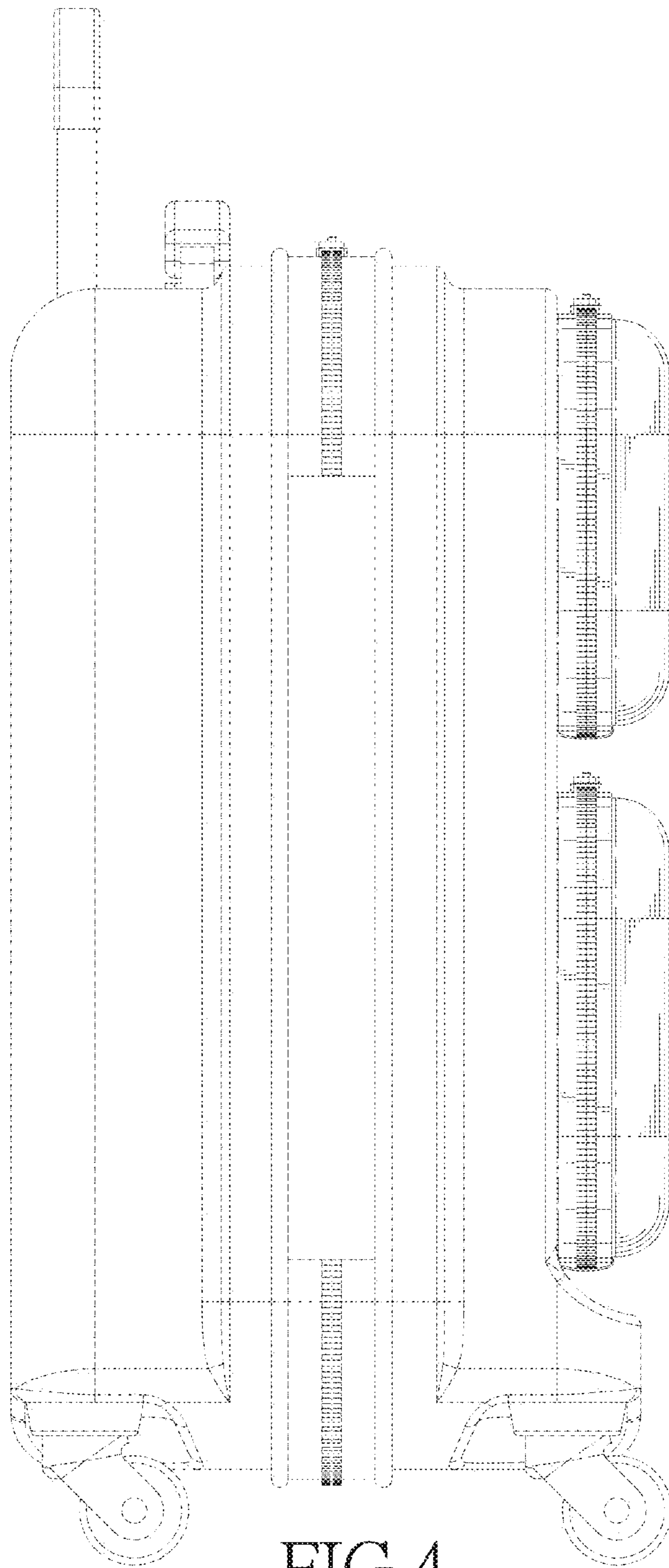


FIG.4

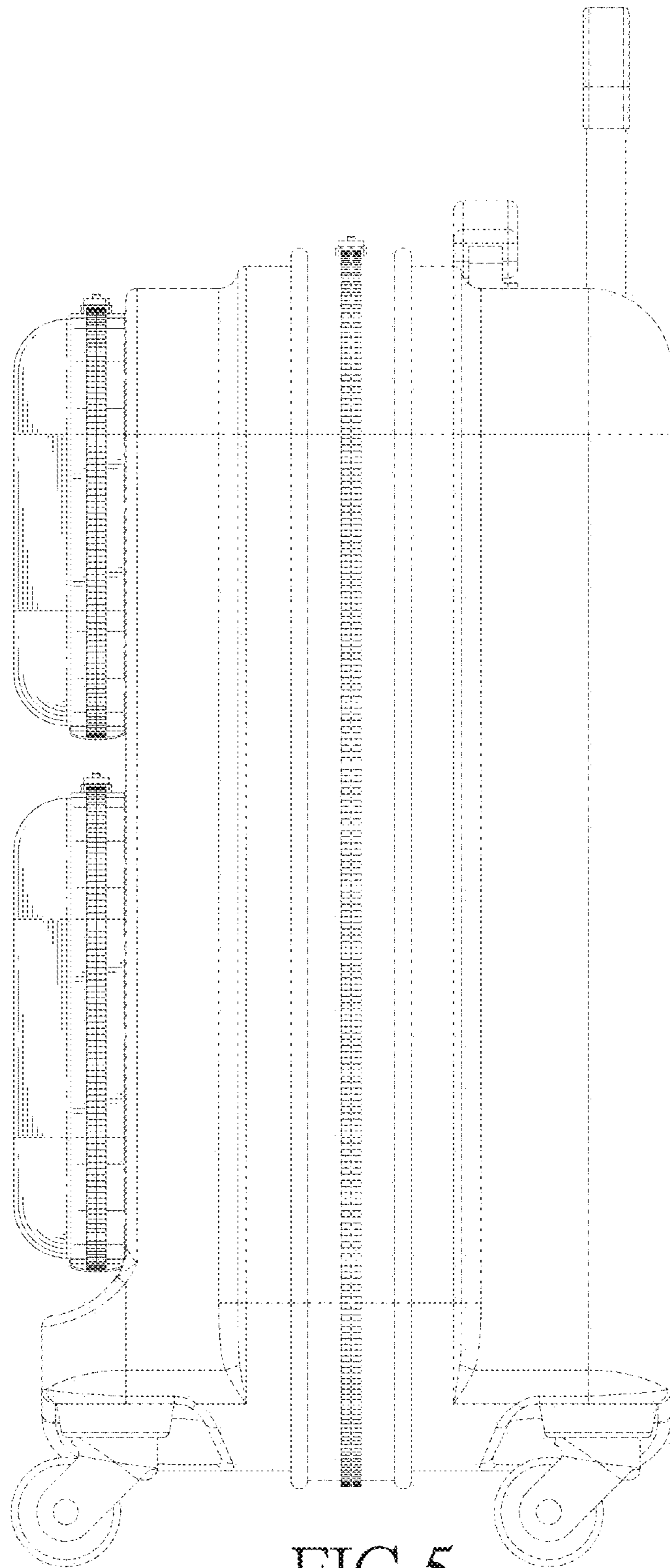


FIG.5

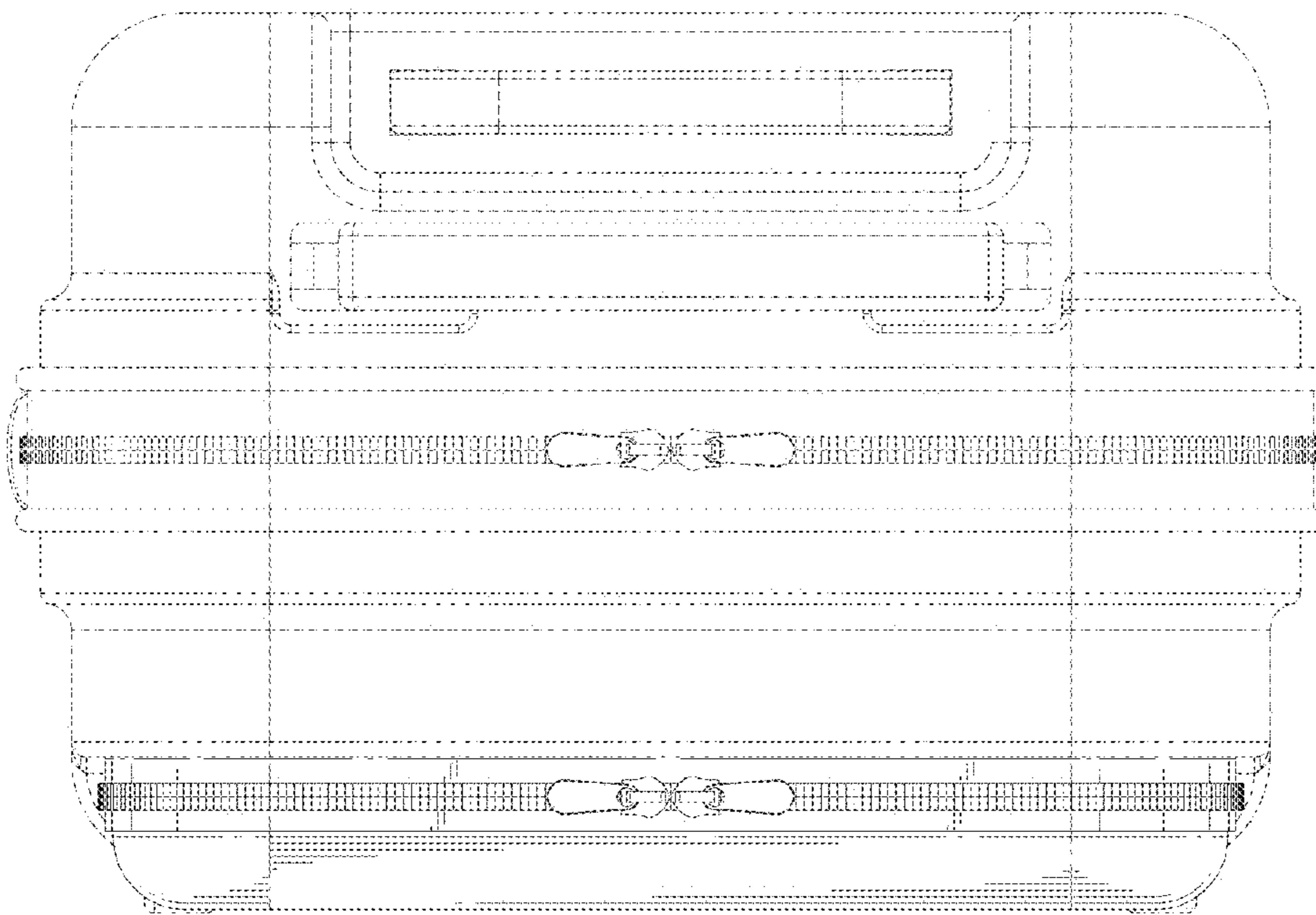


FIG.6

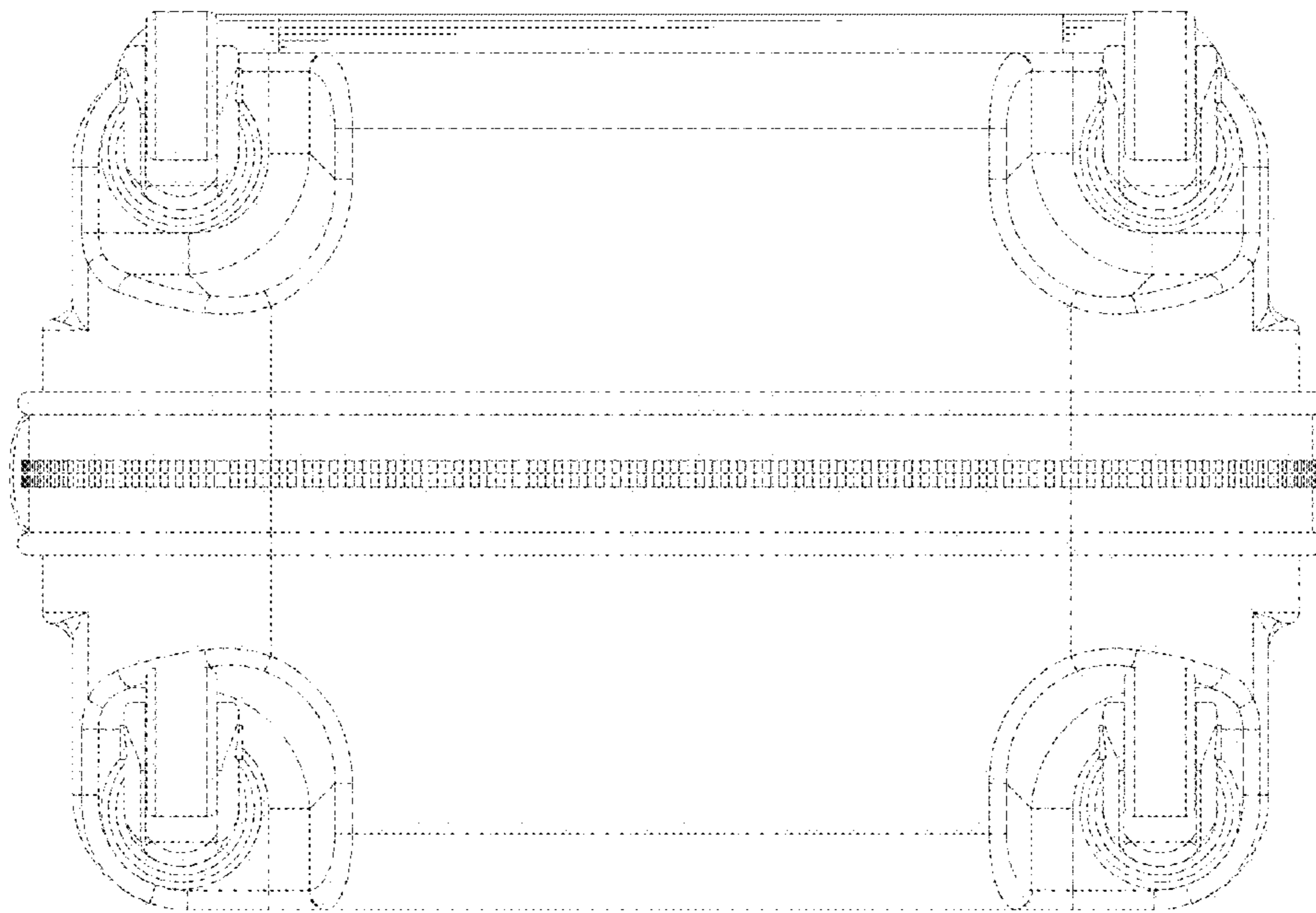


FIG. 7

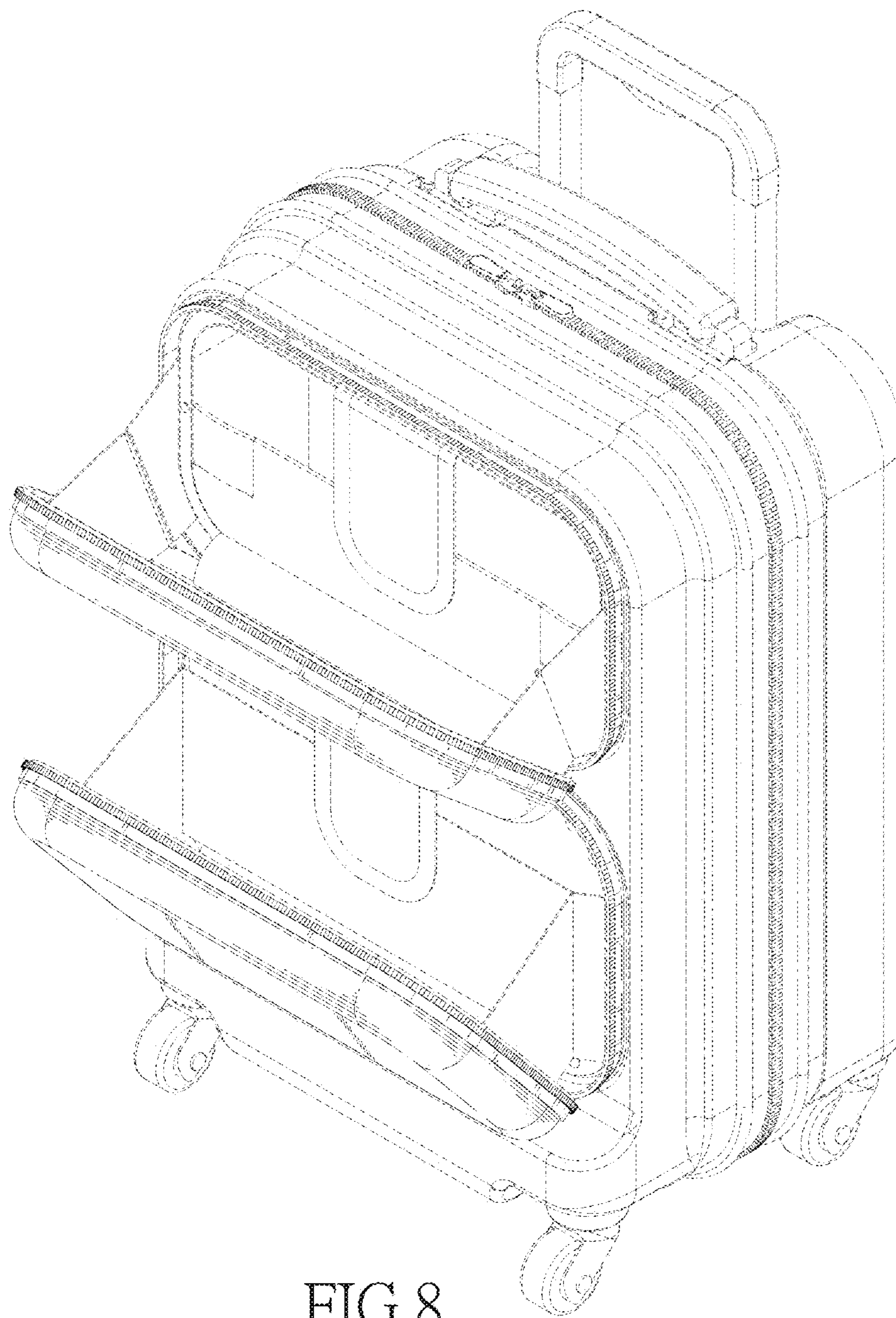


FIG. 8