



US00D712660S

(12) **United States Design Patent**
Ke

(10) **Patent No.:** **US D712,660 S**

(45) **Date of Patent:** **** Sep. 9, 2014**

(54) **LUGGAGE HANDLE WITH TABLET PC SUPPORT**

(71) Applicant: **Shanghai Damao Luggage Co., Ltd.**,
Shanghai (CN)

(72) Inventor: **Huizi Ke**, Shanghai (CN)

(73) Assignee: **Shanghai Damao Luggage Co., Ltd.**,
Shanghai (CN)

(**) Term: **14 Years**

(21) Appl. No.: **29/471,915**

(22) Filed: **Nov. 6, 2013**

(51) **LOC (10) Cl.** **03-01**

(52) **U.S. Cl.**
USPC **D3/318**

(58) **Field of Classification Search**
CPC A45C 13/262; A45C 2013/267; A45C
2013/265; A45C 13/26; A45C 13/22; A45C
13/28
USPC D3/318, 319, 273, 276, 279, 282-287,
D3/289, 290, 321, 902; D8/302, 306, 316,
D8/317; 190/18 A, 100, 103, 104,
190/107-117, 119, 125; 16/18 R, 113.1,
16/114.1, 45
See application file for complete search history.

(56) **References Cited**

U.S. PATENT DOCUMENTS

5,762,169 A * 6/1998 Deliman et al. 190/101
D461,055 S * 8/2002 Szyf D3/318

D471,715 S * 3/2003 Wu D3/318
D575,514 S * 8/2008 Moon D3/318
7,712,590 B1 * 5/2010 Lee 190/115
D677,057 S * 3/2013 Sheikh D3/318
D688,871 S * 9/2013 Lai D3/318
2004/0182667 A1 * 9/2004 Lin 190/115
2008/0196988 A1 * 8/2008 Tong 190/102
2010/0187062 A1 * 7/2010 Sweeney et al. 190/1
2012/0006637 A1 * 1/2012 Buller et al. 190/115

* cited by examiner

Primary Examiner — Deanna L Pratt

Assistant Examiner — Lilyana Bekic

(74) *Attorney, Agent, or Firm* — Brown & Michael, PC

(57) **CLAIM**

The ornamental design for a luggage handle with tablet PC support, as shown and described.

DESCRIPTION

FIG. 1 is a perspective view of the luggage handle with tablet PC support of the present invention.

FIG. 2 is a right side view of the luggage handle.

FIG. 3 is a left side view of the luggage handle, showing the opposite side from FIG. 2.

FIG. 4 is a top view of the luggage handle.

FIG. 5 is a bottom view of the luggage handle.

FIG. 6 is a front view of the luggage handle; and,

FIG. 7 is a back view of the luggage handle.

The broken lines in the drawings illustrate portions of the luggage handle with tablet PC support which form no part of the claimed design.

1 Claim, 2 Drawing Sheets

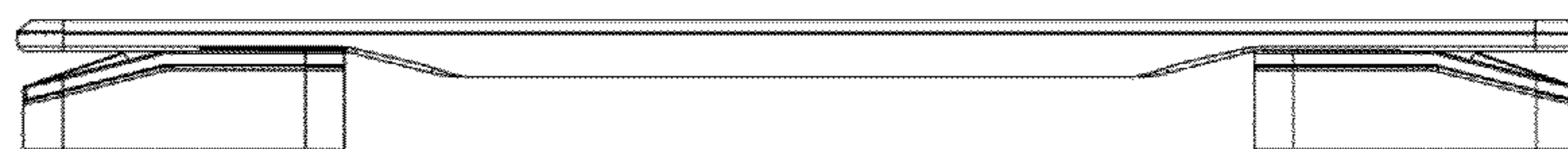
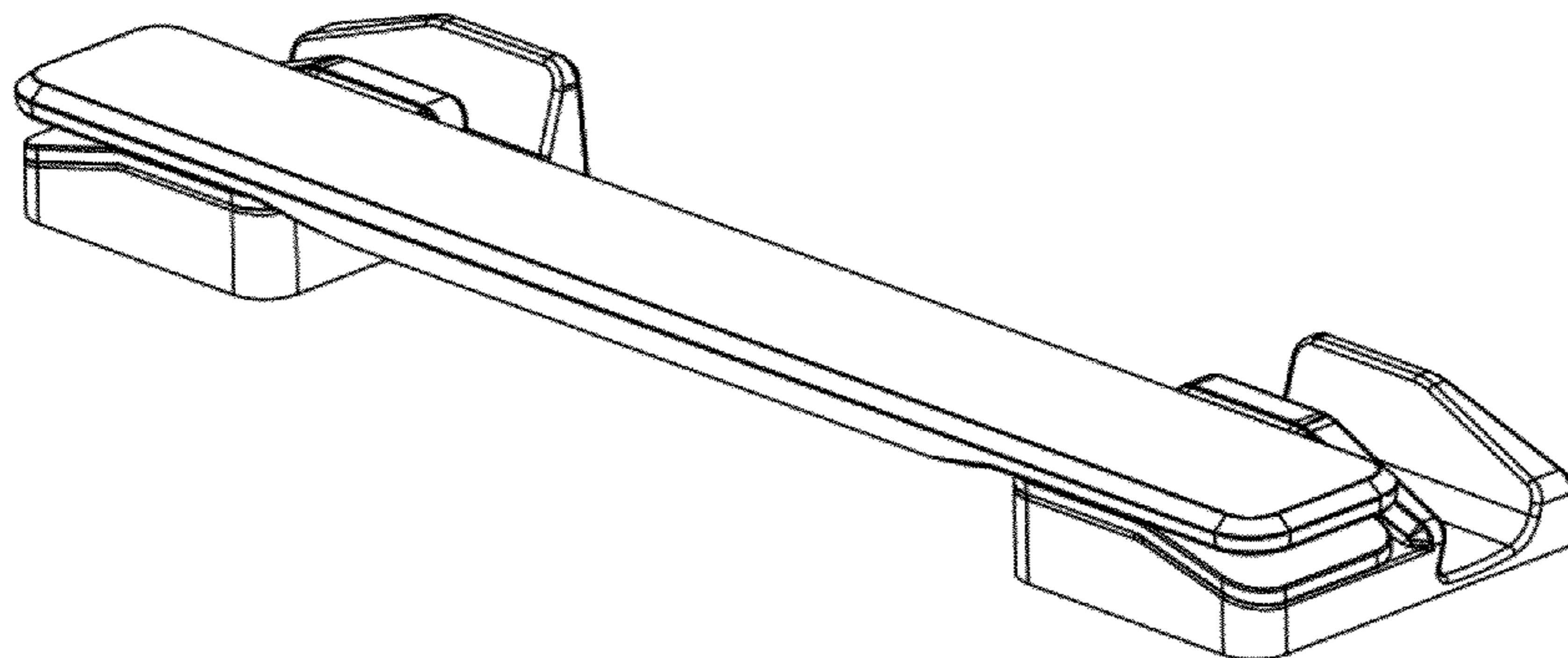


Fig. 1

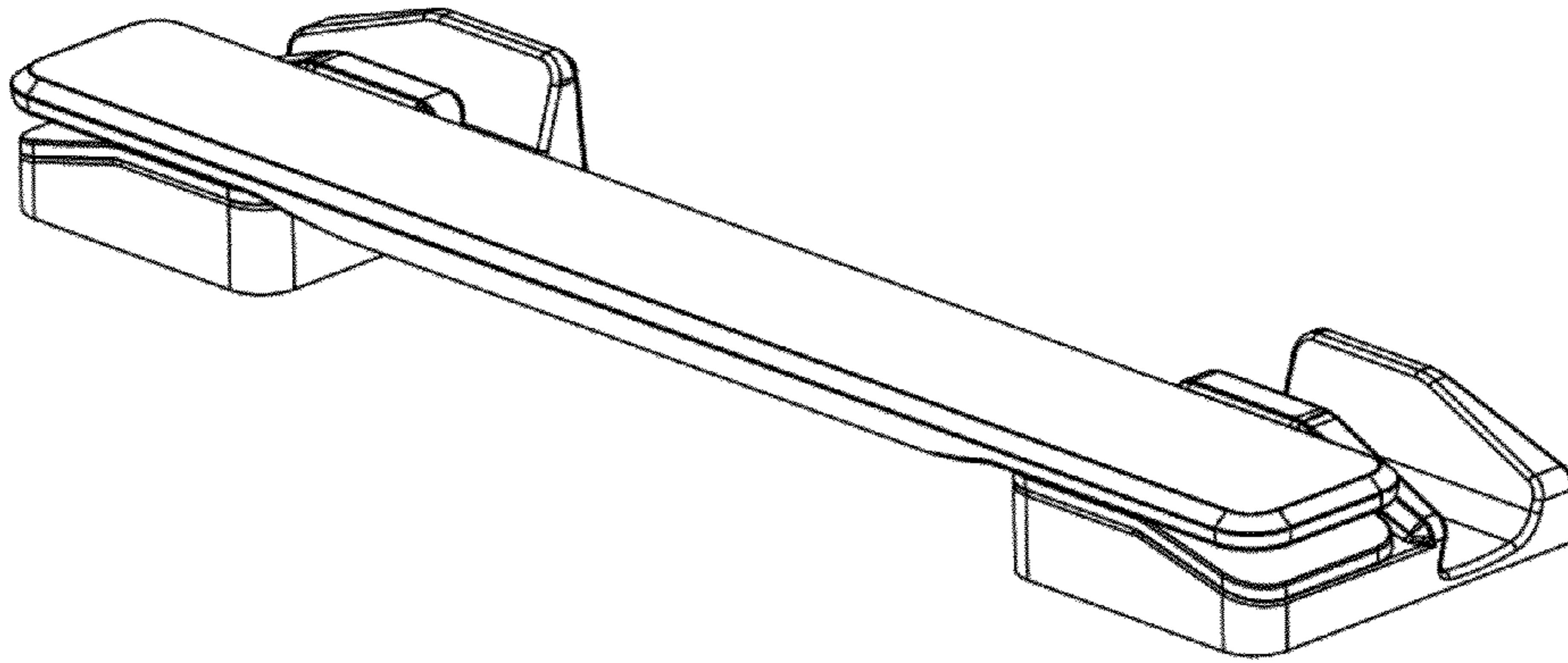


Fig. 2

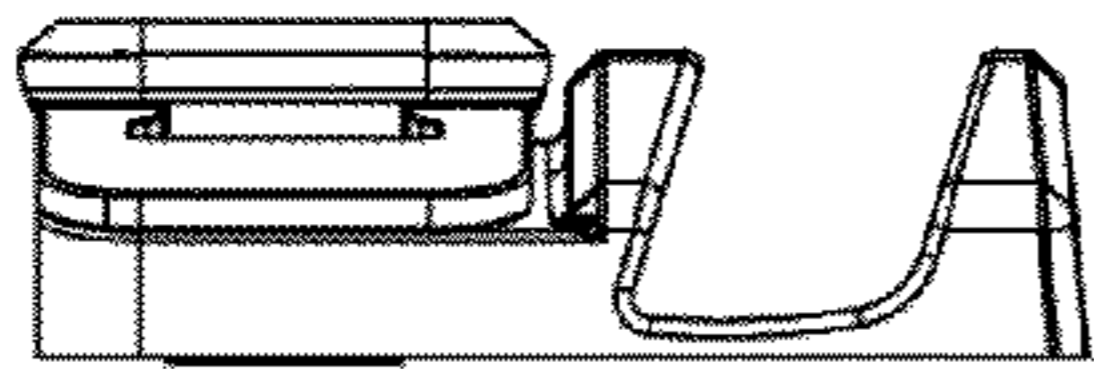


Fig. 3

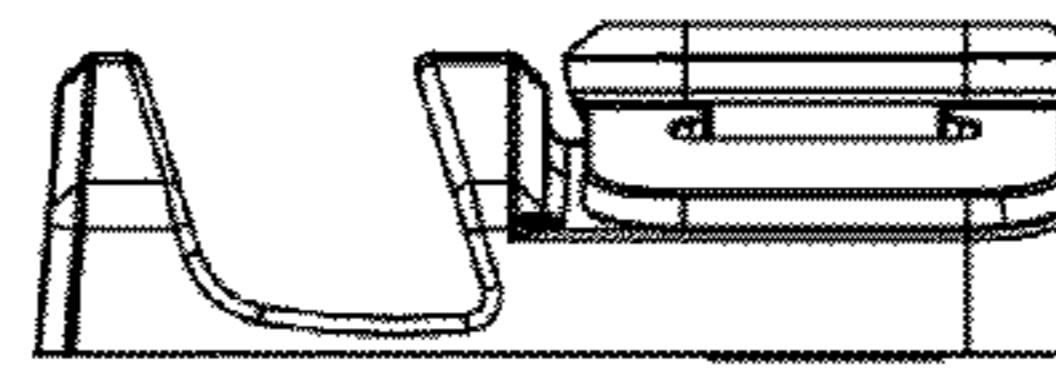


Fig. 4

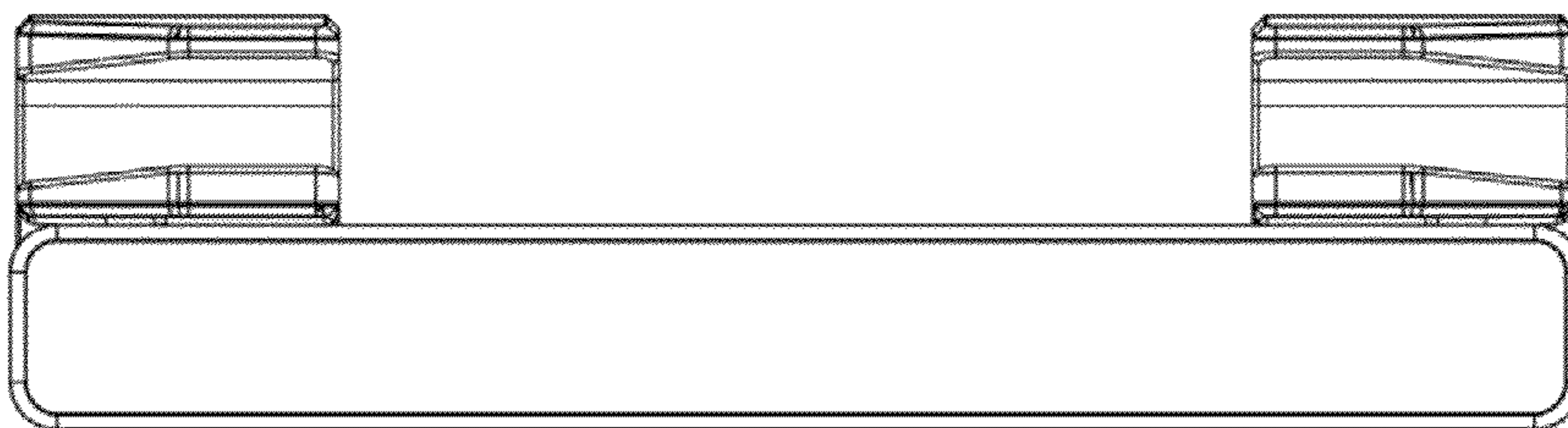


Fig. 5

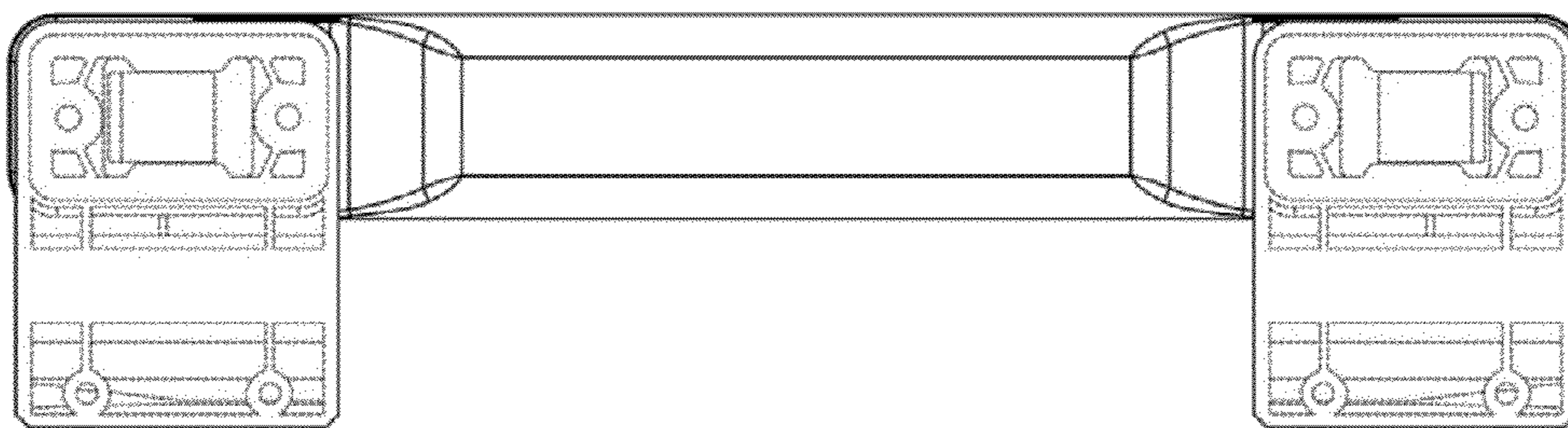


Fig. 6

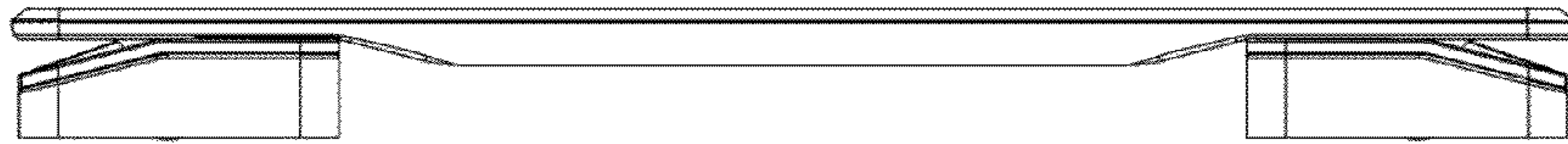


Fig. 7

