



US00D712657S

(12) **United States Design Patent**
Paz

(10) **Patent No.:** **US D712,657 S**

(45) **Date of Patent:** **** Sep. 9, 2014**

(54) **LINGERIE CASE**

(71) Applicant: **Adir Paz**, Los Angeles, CA (US)

(72) Inventor: **Adir Paz**, Los Angeles, CA (US)

(**) Term: **14 Years**

(21) Appl. No.: **29/485,052**

(22) Filed: **Mar. 14, 2014**

(51) **LOC (10) Cl.** **03-01**

(52) **U.S. Cl.**

USPC **D3/271.4; D3/234**

(58) **Field of Classification Search**

CPC A45C 3/06; A45C 3/00; A45C 3/08;
A45C 3/04; A45C 1/02; A45C 13/26; A45C
13/10; A45C 7/0045; A45C 7/0086

USPC D3/234, 269, 261, 254, 317, 238, 271,
D3/271.4, 233, 264; D2/706; 150/100,
150/107, 108, 109, 110, 118, 119, 120

See application file for complete search history.

(56) **References Cited**

U.S. PATENT DOCUMENTS

D341,482 S *	11/1993	McMillan	D3/265
5,320,429 A	6/1994	Toyosawa		
D368,489 S	4/1996	Gray		
D403,857 S	1/1999	Grove		
D458,445 S *	6/2002	Tarantino	D3/238
D462,512 S	9/2002	Wolf		
D497,051 S	10/2004	Nieves		
D528,299 S *	9/2006	Kim	D3/294
D552,347 S *	10/2007	Kim	D3/265
D580,163 S *	11/2008	Webb et al.	D3/234

(Continued)

OTHER PUBLICATIONS

Photographs of a case, dated Jun. 2013.

(Continued)

Primary Examiner — Cynthia Ramirez

(74) *Attorney, Agent, or Firm* — Danton K. Mak; Sheldon Mak & Anderson PC

(57) **CLAIM**

The ornamental design of a lingerie case, described in the specification and illustrated in the drawings.

DESCRIPTION

FIG. 1 is a perspective view showing the lingerie case of the present invention, shown with the case closed;

FIG. 2 is a front plan view of the lingerie case illustrated in FIG. 1, shown with the case closed;

FIG. 3 is a right side view of the lingerie case illustrated in FIG. 1, shown with the case closed;

FIG. 4 is a left side view of the lingerie case illustrated in FIG. 1, shown with the case closed;

FIG. 5 is a top plan view of the lingerie case illustrated in FIG. 1, shown with the case closed;

FIG. 6 is a bottom plan view of the lingerie case illustrated in FIG. 1, shown with the case closed;

FIG. 7 is a rear plan view of the lingerie case illustrated in FIG. 1, shown with the case closed;

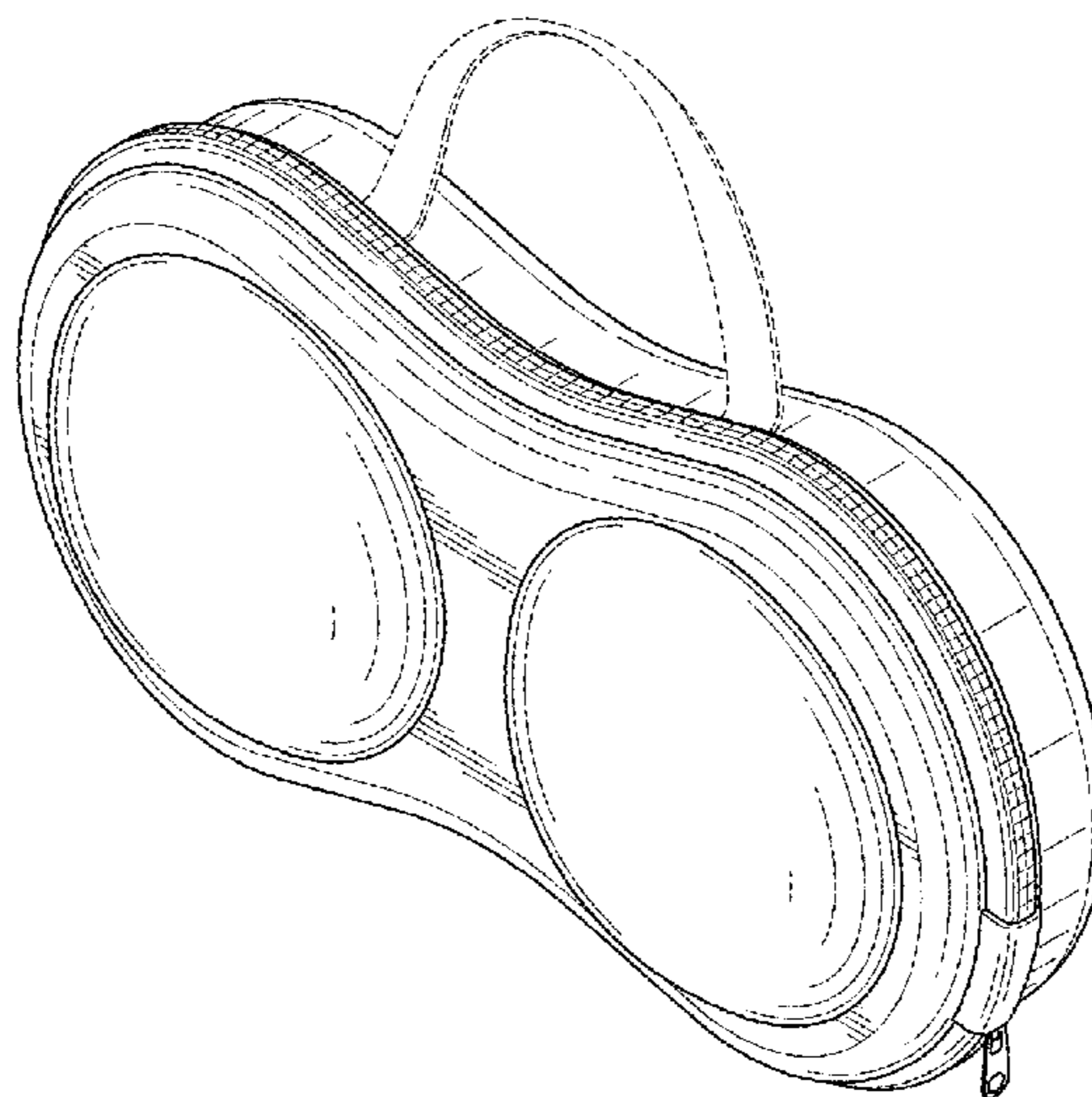
FIG. 8 is an alternative front plan view of the lingerie case illustrated in FIG. 1, with the lingerie case open, showing the outside of the case;

FIG. 9 is a perspective view of the inside of lingerie case illustrated in FIG. 1, the lingerie case being open, showing a hinged divider being pivoted part of the way about its hinge;

FIG. 10 is an alternative rear plan view of the lingerie case illustrated in FIG. 1, the lingerie case being open, showing its inside including the hinged divider resting on the rear side of the open case; and,

FIG. 11 is another alternative rear plan view of the lingerie case of FIG. 1, the lingerie case being open, showing its inside including the hinged divider resting on the front side of the open case.

1 Claim, 7 Drawing Sheets



(56)

References Cited

U.S. PATENT DOCUMENTS

D604,950 S 12/2009 Greiner
D606,745 S * 12/2009 Walton D3/234
D613,054 S 4/2010 Morszeck
8,011,502 B2 9/2011 Malick
D651,403 S * 1/2012 Haft et al. D3/265

D658,372 S * 5/2012 van der Lande D3/264
D661,092 S 6/2012 Chen et al.
D681,936 S 5/2013 Basas et al.
D692,665 S 11/2013 Willows et al.

OTHER PUBLICATIONS

Photographs of a case, dated Mar. 10, 2014.

* cited by examiner

FIG. 1

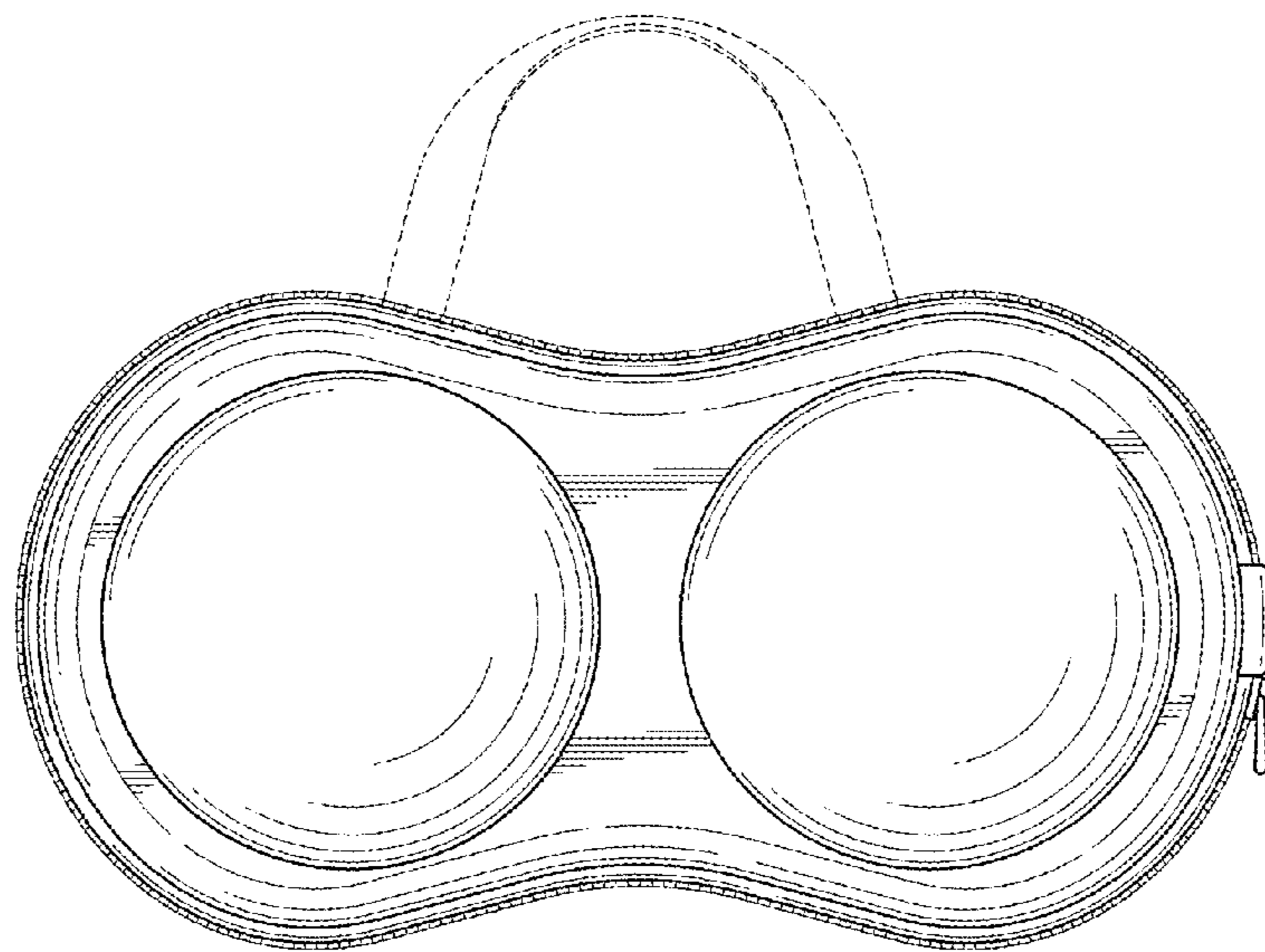
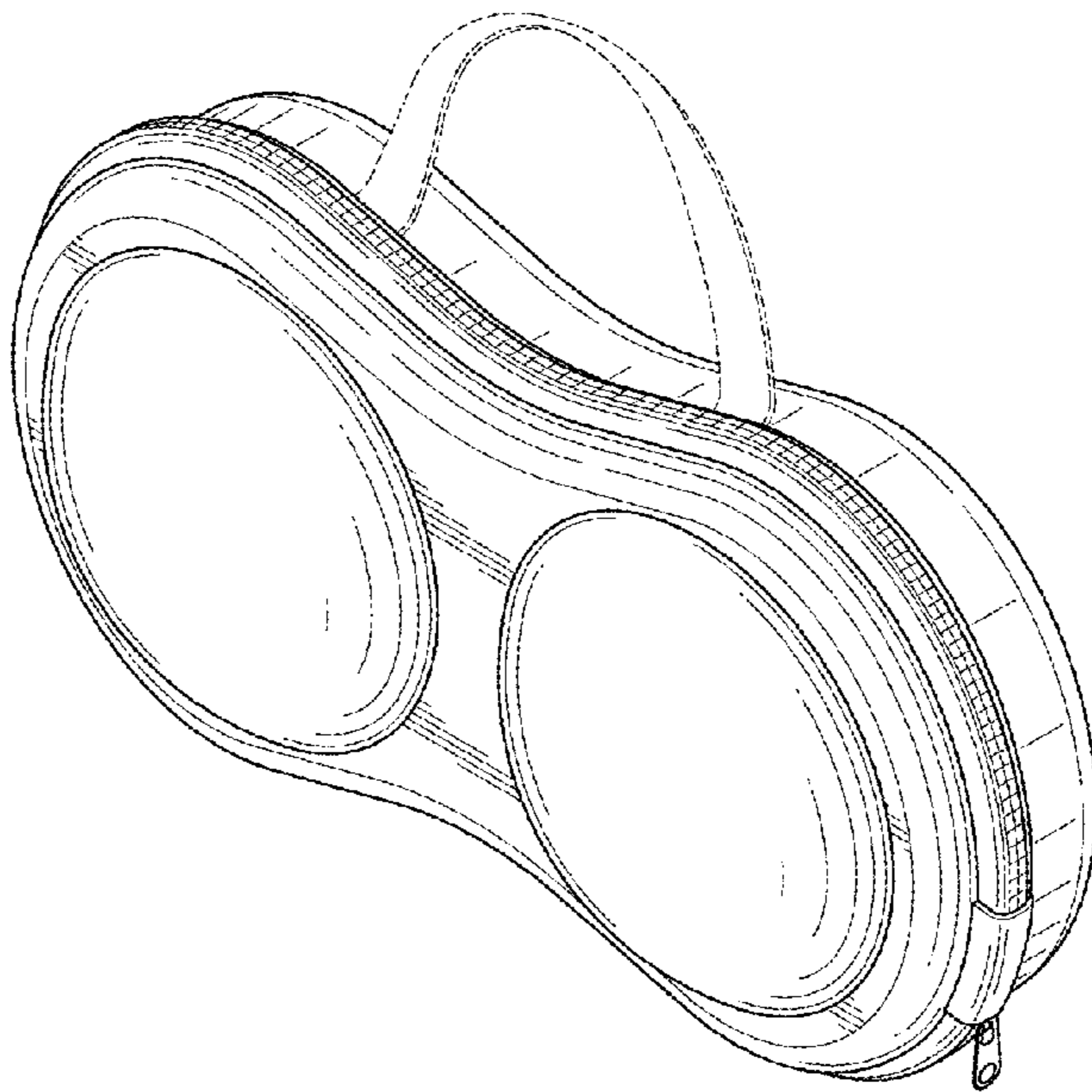


FIG. 2

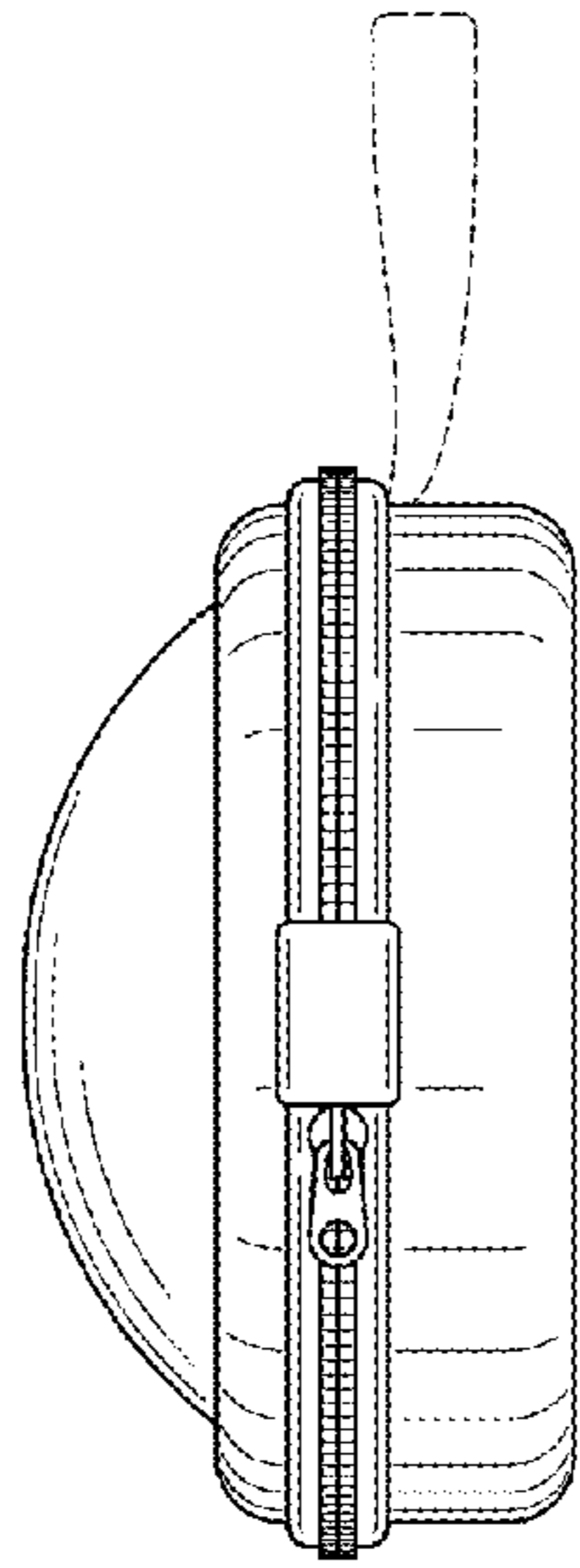


FIG. 3

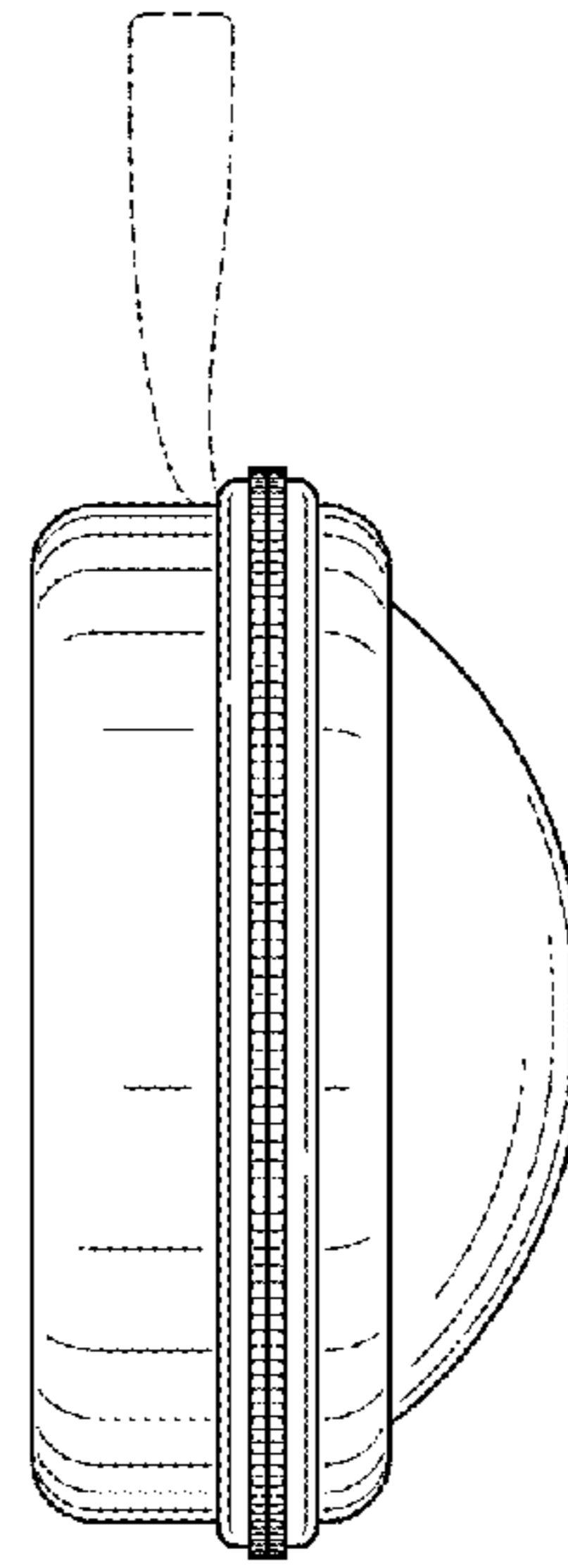


FIG. 4

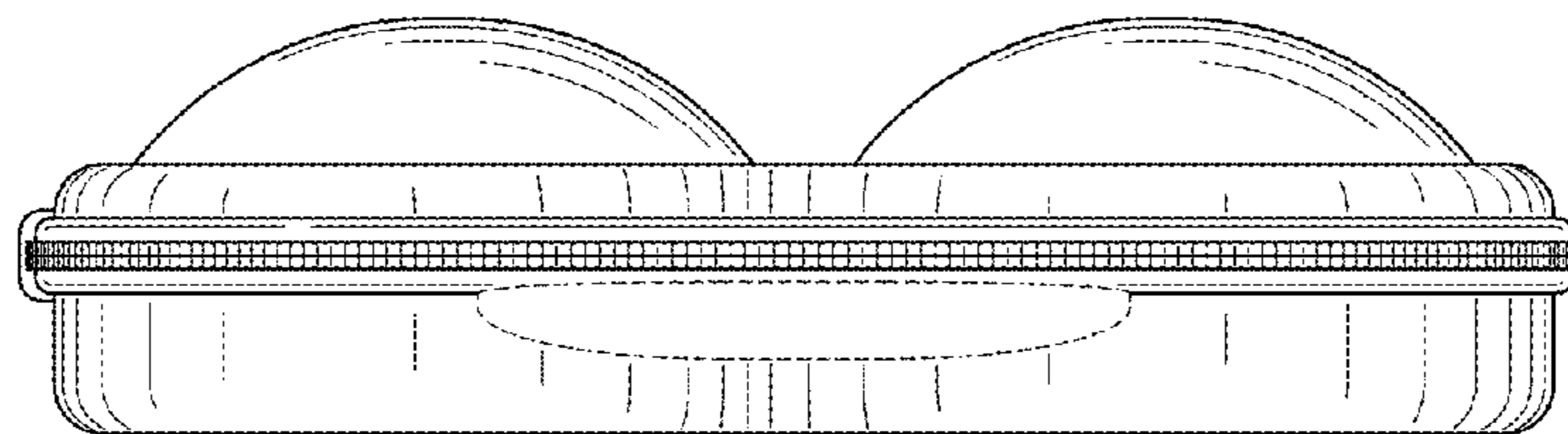


FIG. 5

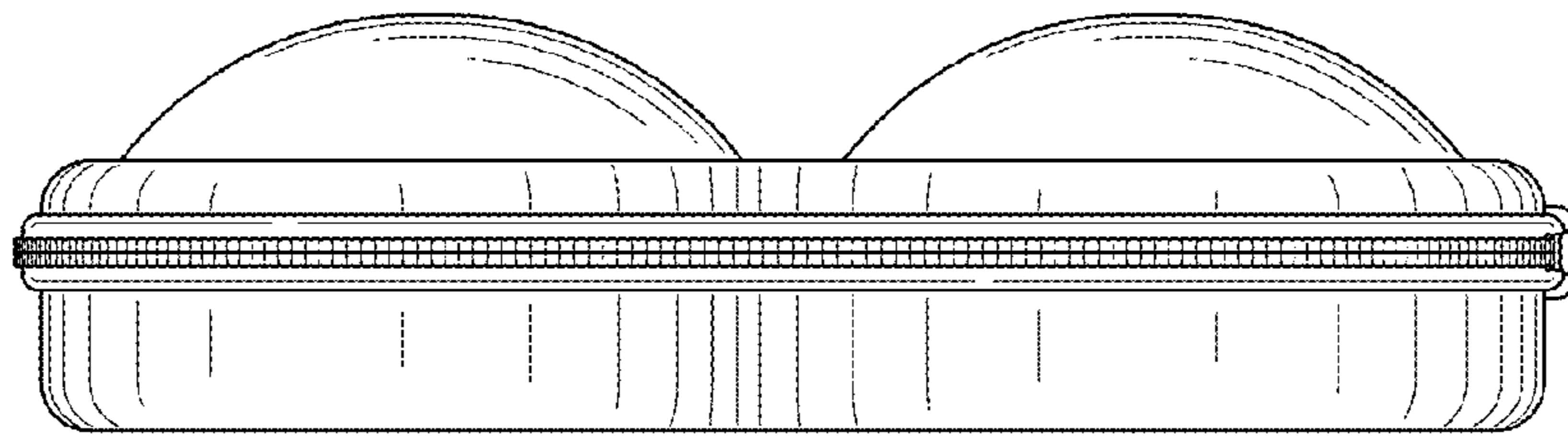


FIG. 6

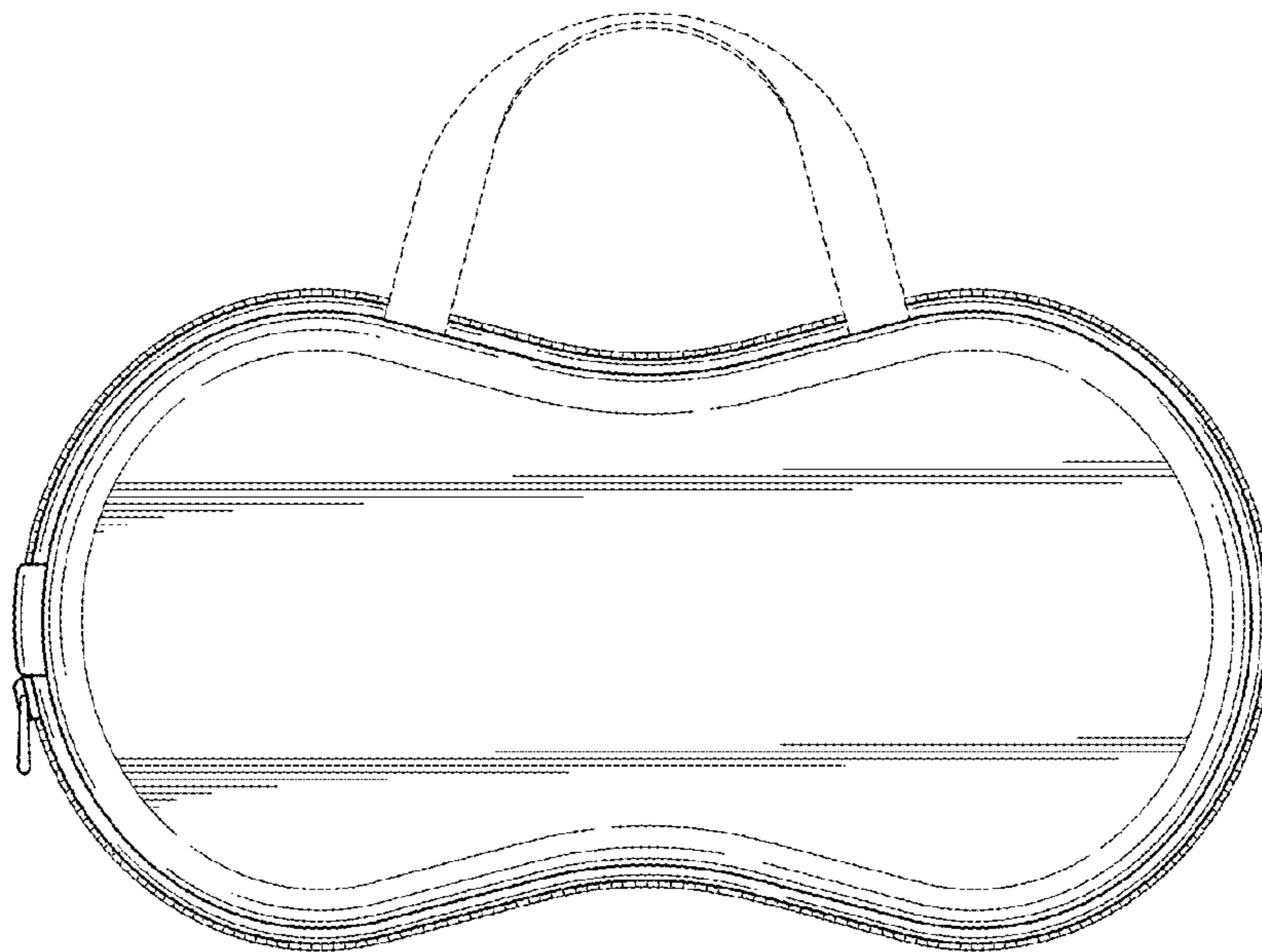
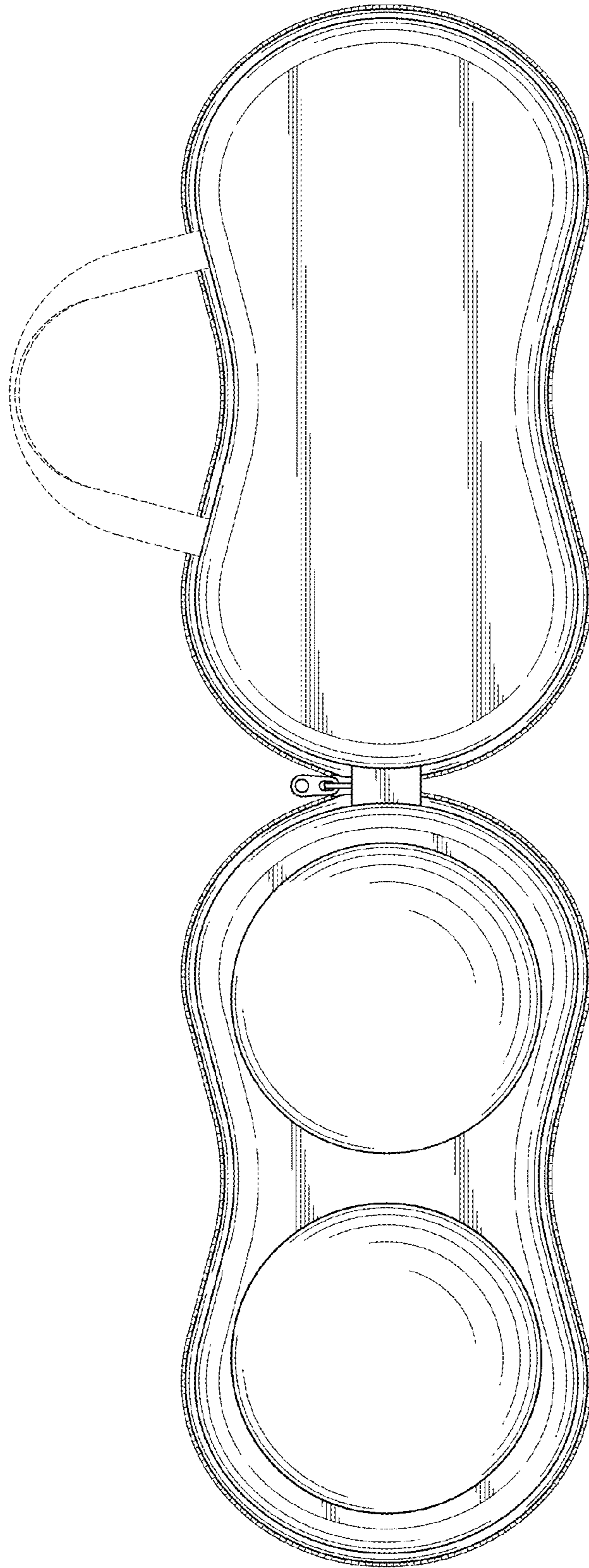


FIG. 7



B. 712,657 S

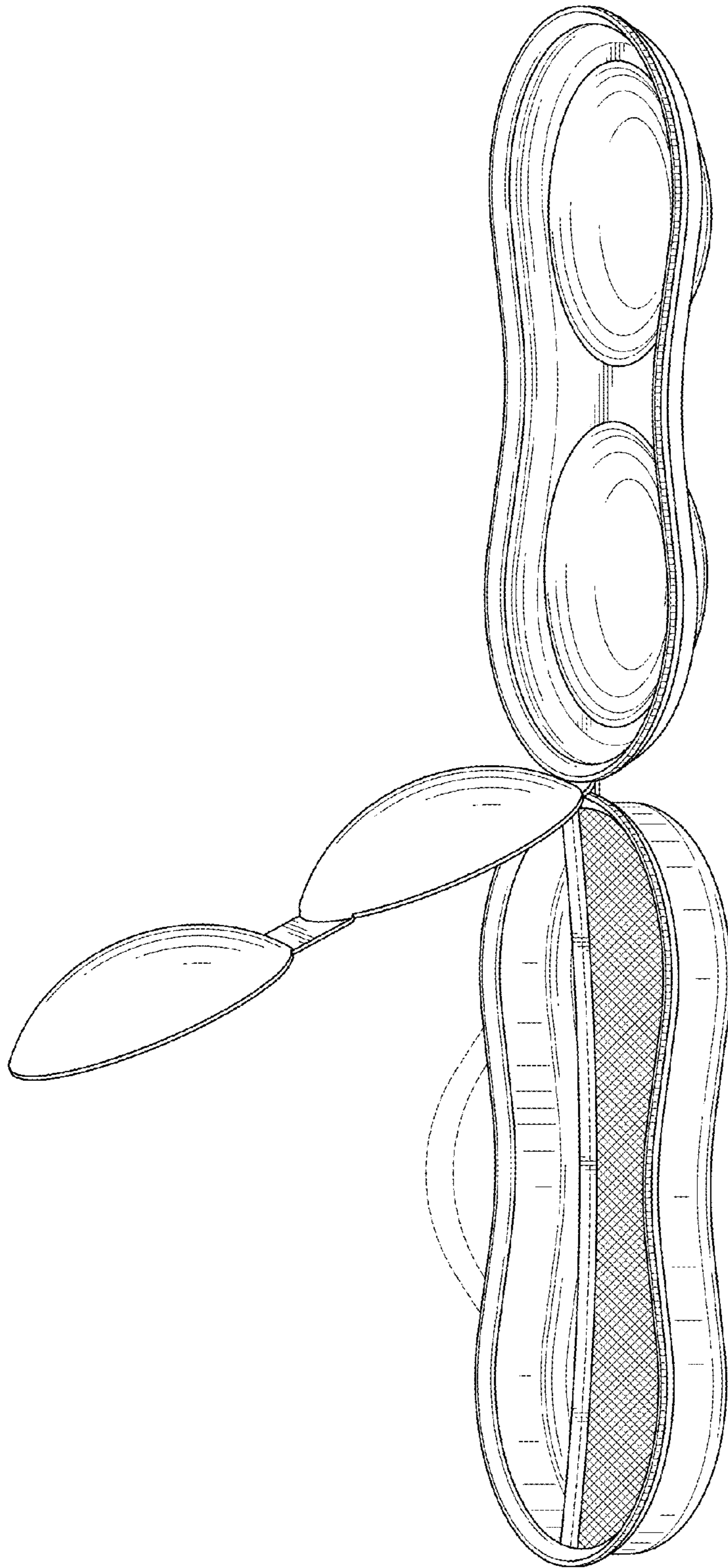


Fig. 9

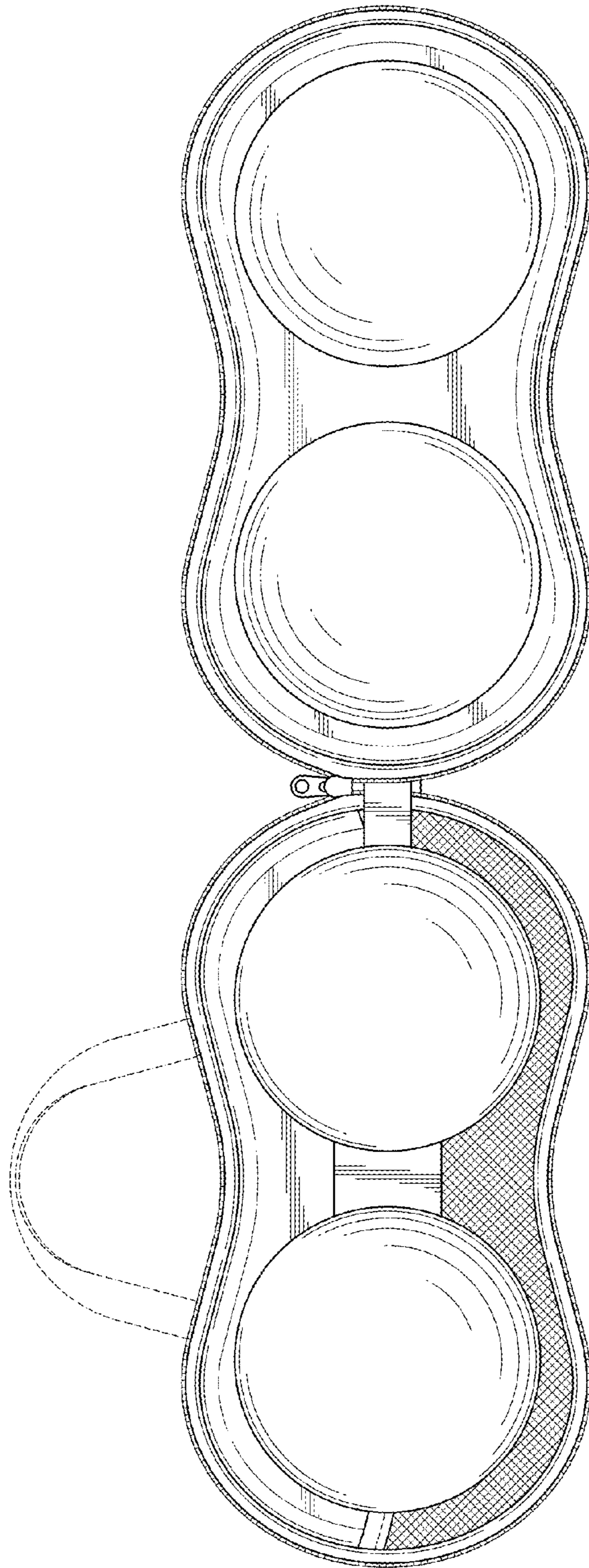


Fig. 10

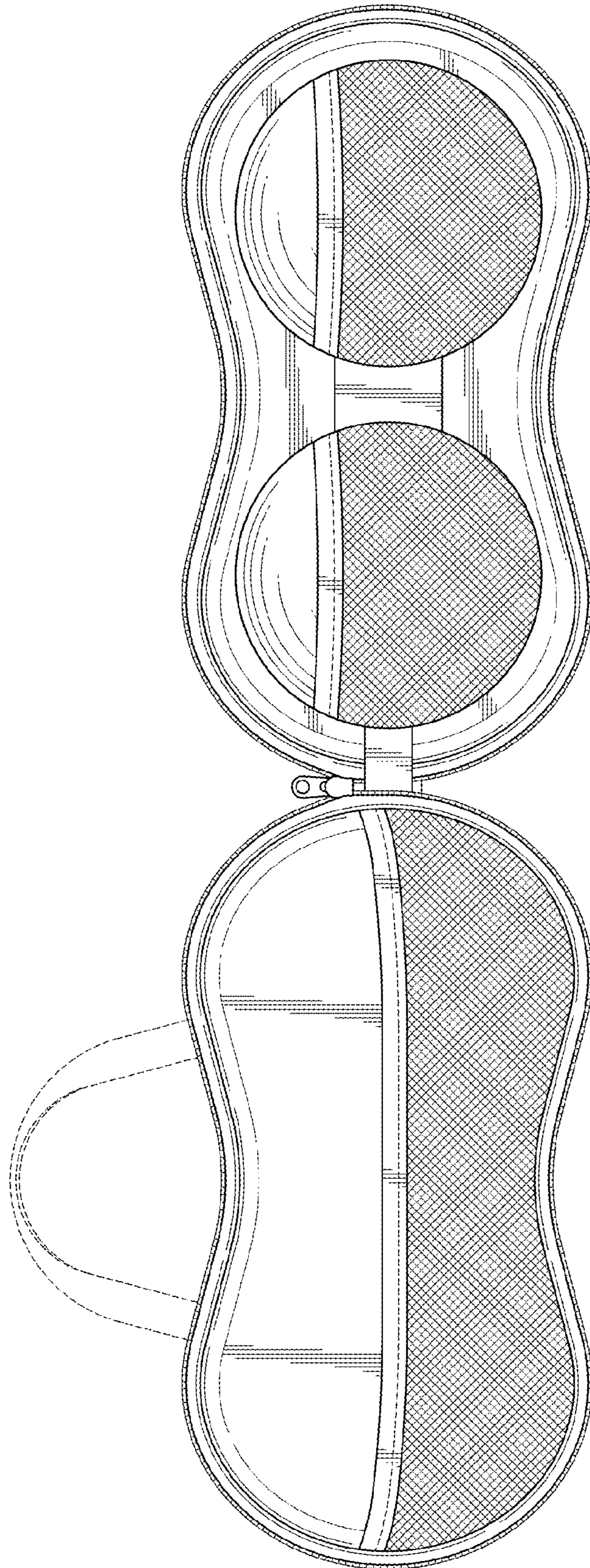


FIG. 11