



US00D712656S

(12) **United States Design Patent**
Levy et al.

(10) **Patent No.:** **US D712,656 S**
(45) **Date of Patent:** **** Sep. 9, 2014**

- (54) **CLIP-ON GLASSES HOLDER**
- (71) Applicant: **Navajo Manufacturing Company,**
Denver, CO (US)
- (72) Inventors: **Gordon Levy,** Golden, CO (US); **Hoi Kwan Wong,** Thornton, CO (US); **Zhen Jian Kun,** Wen Zhou (CN)
- (73) Assignee: **Navajo Manufacturing Company, Inc.,**
Denver, CO (US)
- (**) Term: **14 Years**
- (21) Appl. No.: **29/444,059**
- (22) Filed: **Jan. 25, 2013**
- (51) **LOC (10) Cl.** **03-01**
- (52) **U.S. Cl.**
USPC **D3/265**
- (58) **Field of Classification Search**
USPC D3/218, 219, 215, 224, 226, 263–266,
D3/230, 233; 206/5, 5.1, 6; 248/902;
224/908; 220/840

See application file for complete search history.

D308,597	S	*	6/1990	Marks	D3/265
5,164,749	A		11/1992	Shelton		
D382,708	S	*	8/1997	Canning	D3/265
D404,568	S	*	1/1999	Newcomer	D3/265
D406,460	S	*	3/1999	Newcomer	D3/265
D406,944	S		3/1999	Troutman		
5,949,517	A		9/1999	Lindberg et al.		
6,382,482	B1		5/2002	Chao		
6,398,017	B1	*	6/2002	Cafiero	206/6
6,726,004	B2		4/2004	Watson		
7,101,040	B2		9/2006	Karasik		
D547,548	S		7/2007	Au		
D552,347	S	*	10/2007	Kim	D3/265
D566,389	S	*	4/2008	Conway	D3/266
2003/0178324	A1		9/2003	Watson		
2011/0210018	A1		9/2011	Friedman et al.		

* cited by examiner

Primary Examiner — Thomas Johannes
Assistant Examiner — Holly E Thurman

(74) *Attorney, Agent, or Firm* — Studebaker & Brackett PC

(57) **CLAIM**

The ornamental design for a clip-on glasses holder, as shown and described.

DESCRIPTION

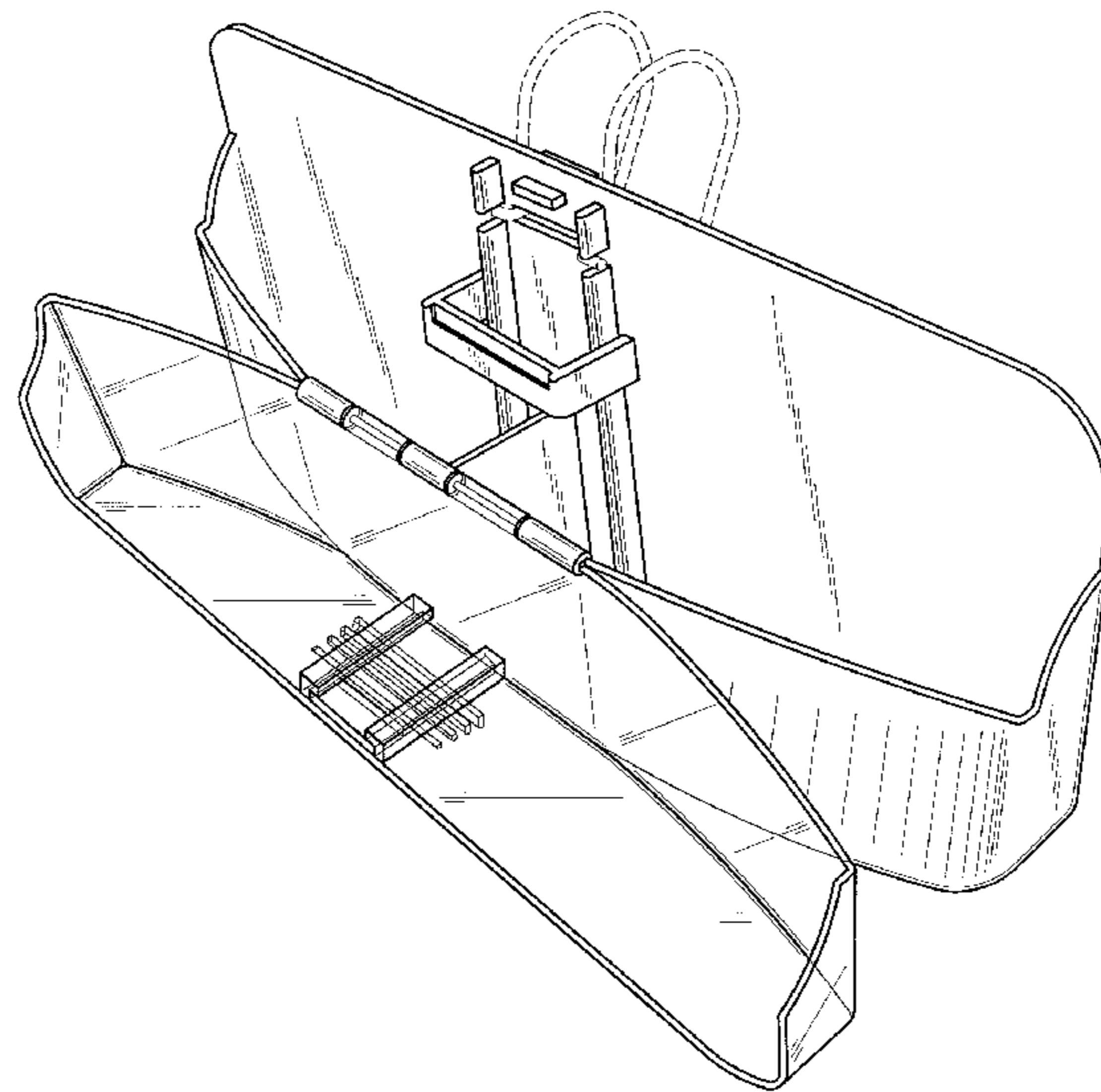
FIG. 1 is an open perspective view showing our new design for a clip-on glasses holder;
 FIG. 2 is another open perspective view thereof;
 FIG. 3 is another open perspective view thereof;
 FIG. 4 is a closed perspective view thereof;
 FIG. 5 is a top view thereof;
 FIG. 6 is a bottom view thereof;
 FIG. 7 is a front view thereof;
 FIG. 8 is a rear view thereof;
 FIG. 9 is a left side view thereof; and,
 FIG. 10 is a right side view thereof.
 The portion shown in broken lines depict unclaimed subject matter only and form no part of the claimed design.

1 Claim, 7 Drawing Sheets

(56) **References Cited**

U.S. PATENT DOCUMENTS

353,203	A	11/1886	Chase		
D161,850	S	*	2/1951	Maier D3/266
2,642,987	A	6/1953	Castelli		
2,735,597	A	2/1956	Treleven		
3,317,076	A	*	5/1967	Enders 220/840
3,600,069	A	8/1971	McNeill		
D229,098	S	*	11/1973	Reed D3/266
3,825,110	A	7/1974	Halbich et al.		
3,876,295	A	4/1975	Loughner		
4,000,810	A	1/1977	Leblanc		
4,163,607	A	8/1979	Nannini		
4,247,178	A	1/1981	Cook		
D284,134	S	*	6/1986	Scoppettone D3/265



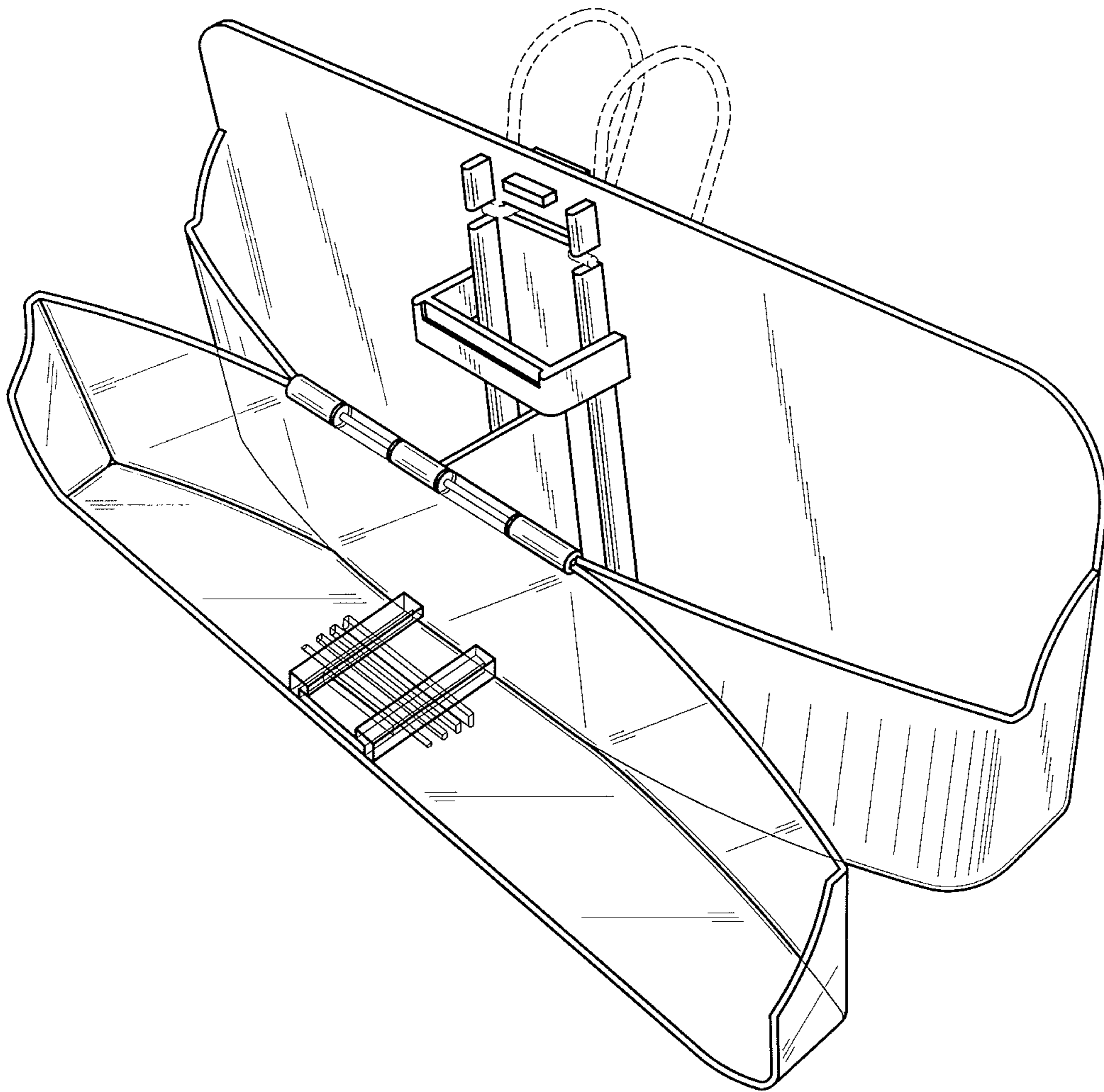


FIG. 1

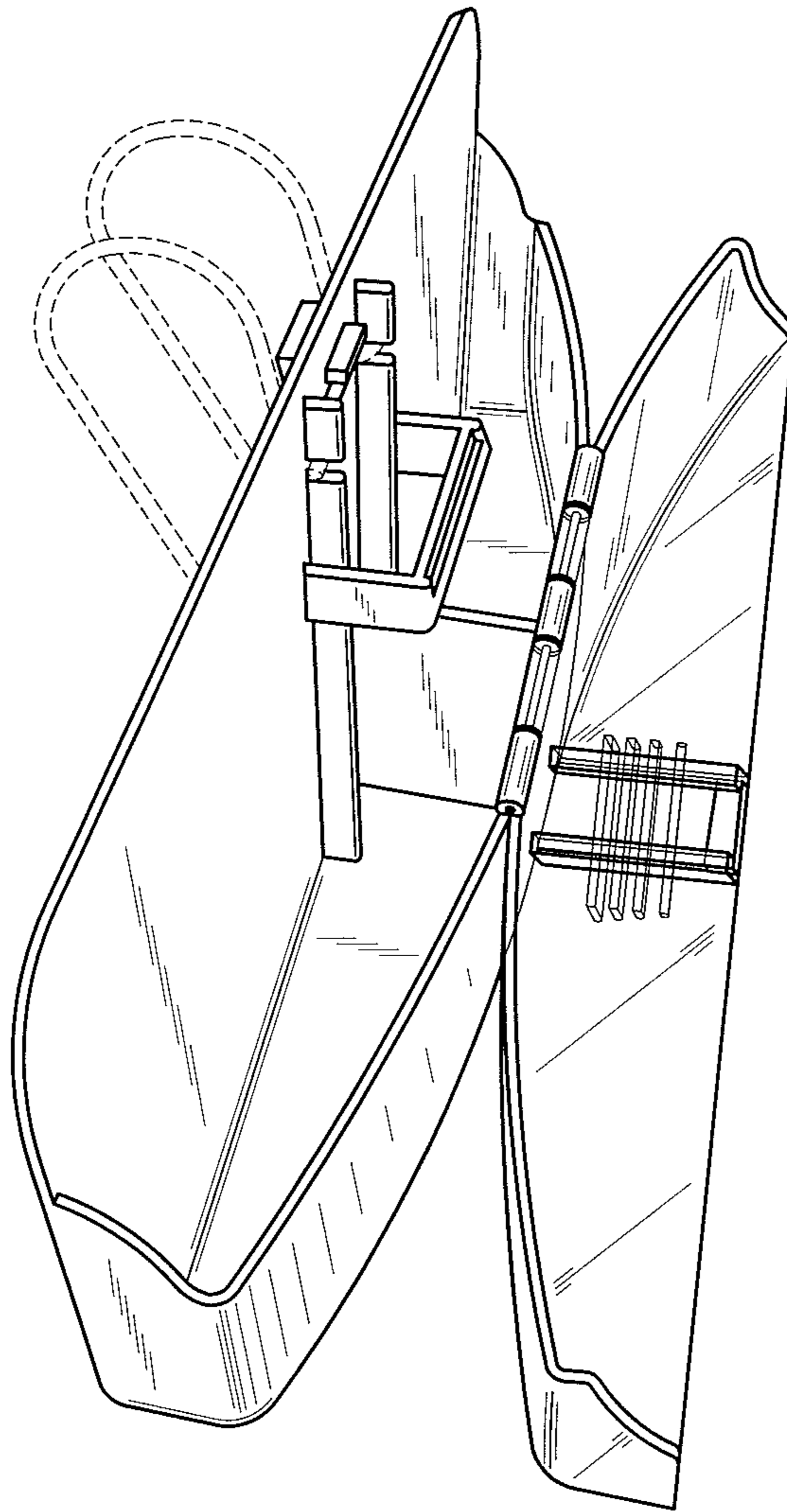


FIG. 2

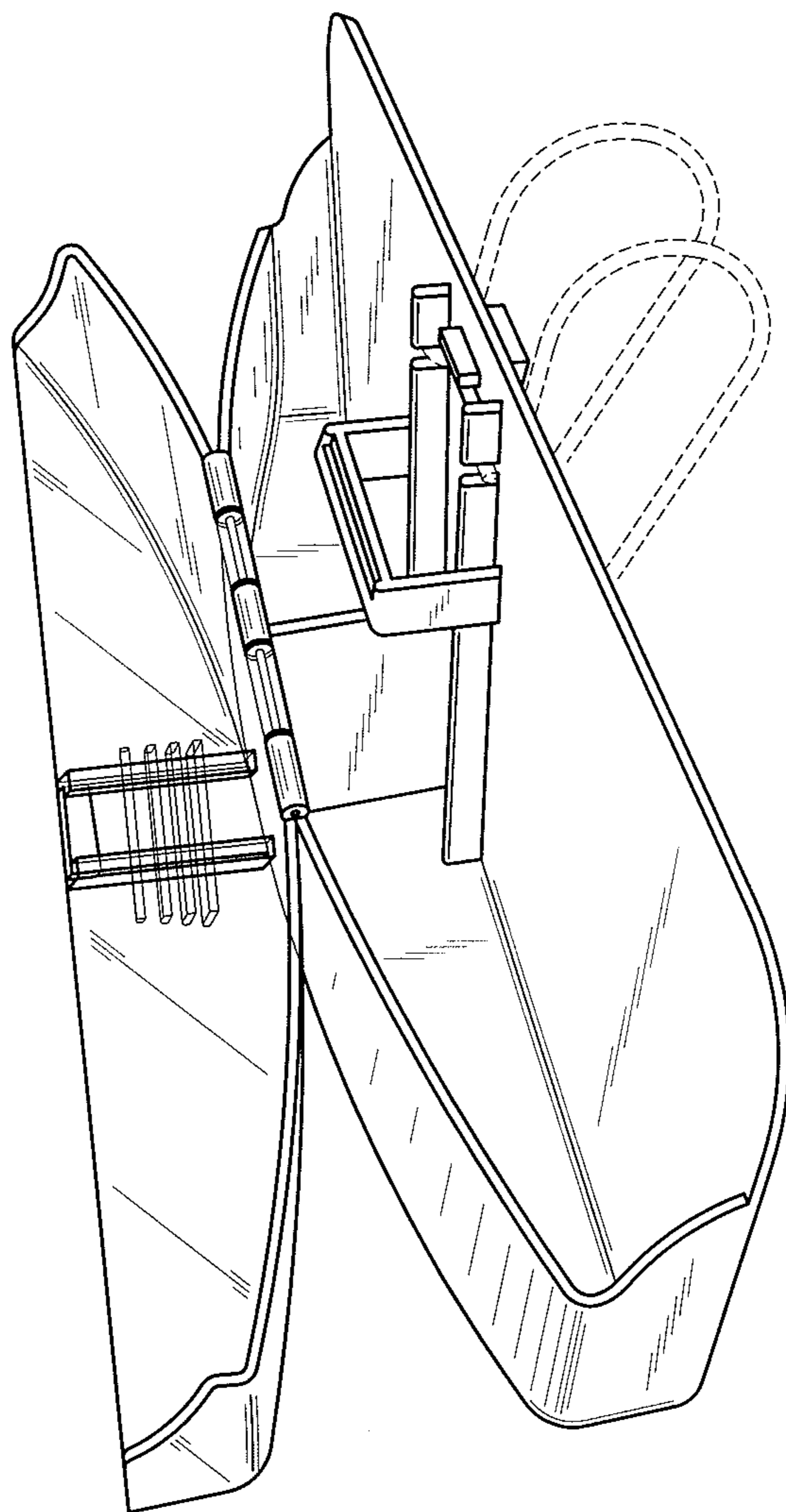


FIG. 3

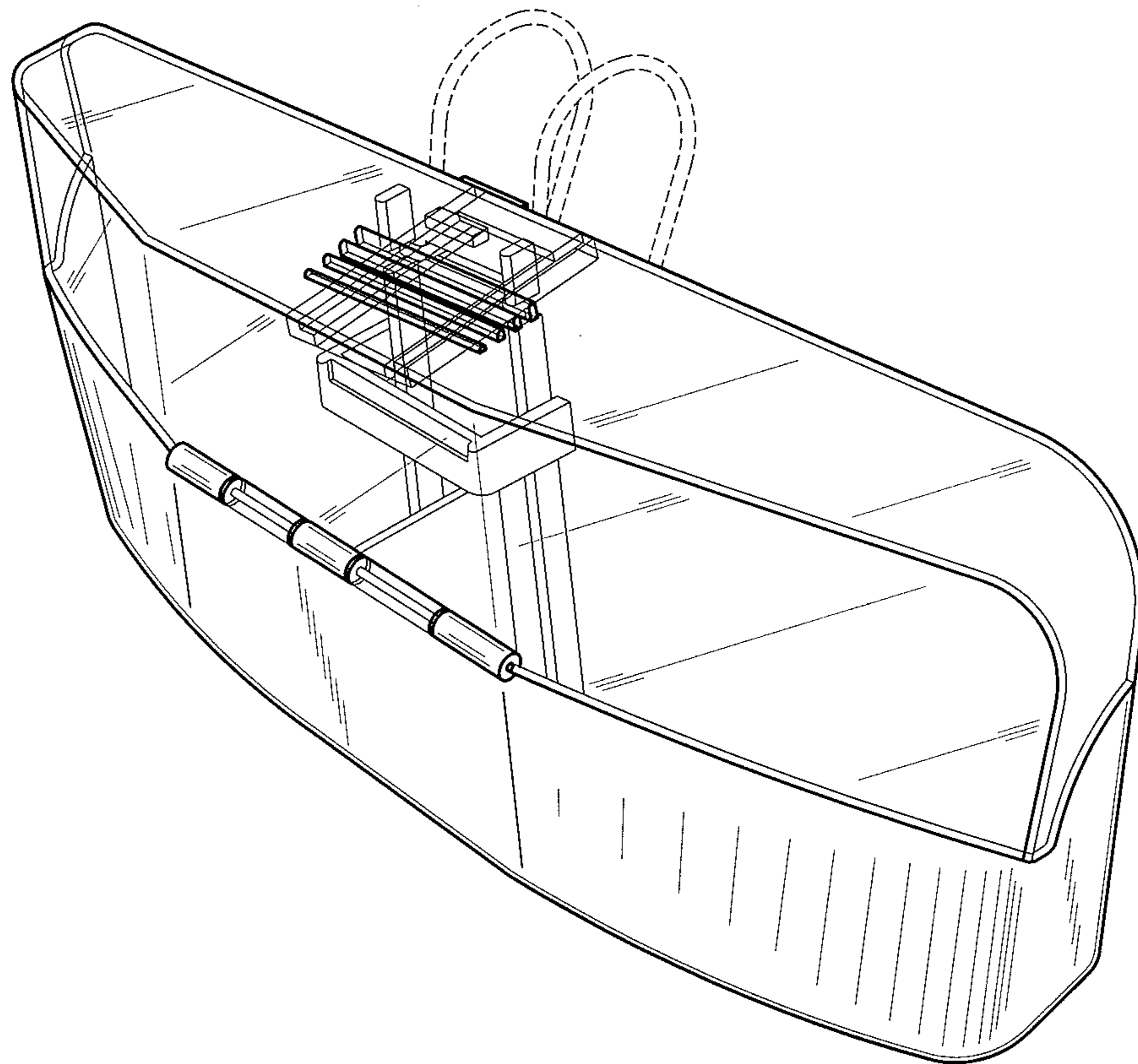


FIG. 4

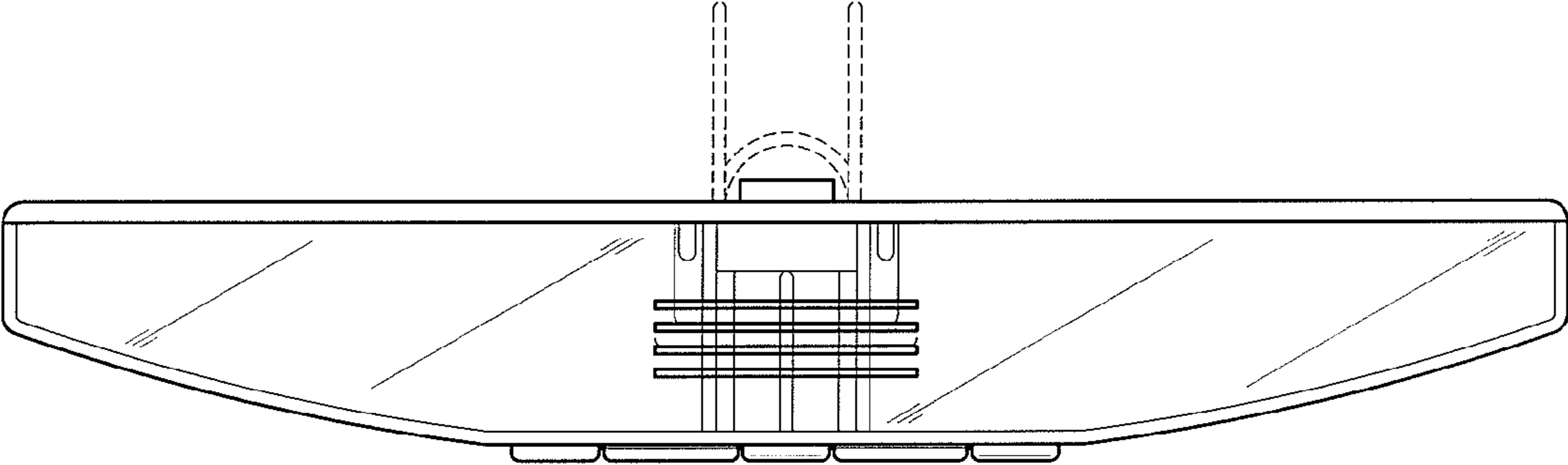


FIG. 5

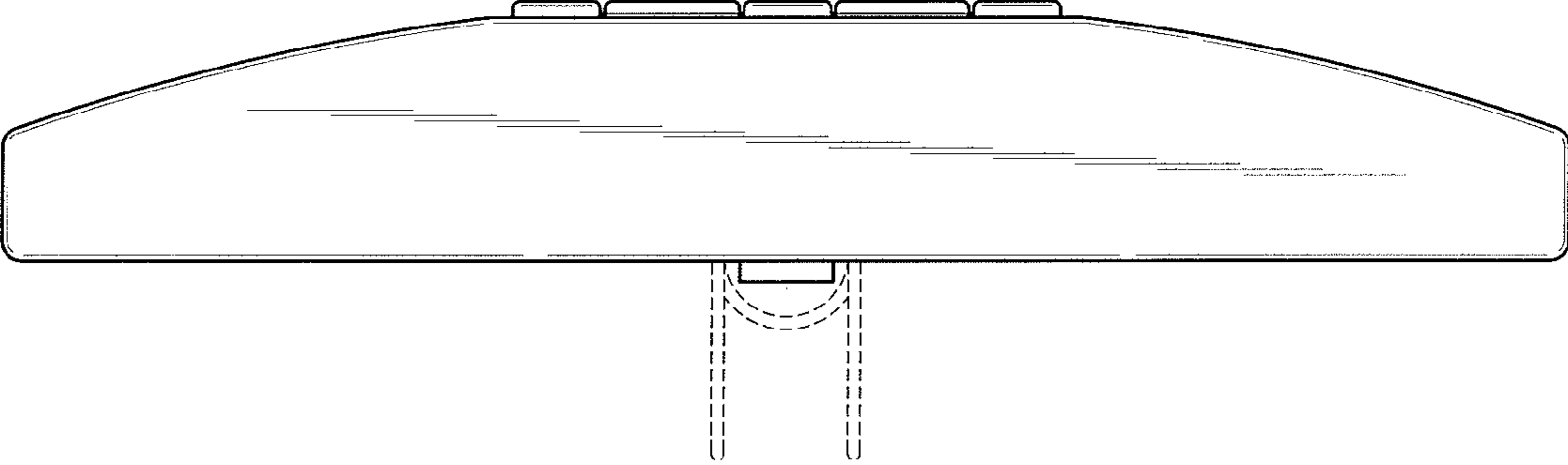


FIG. 6

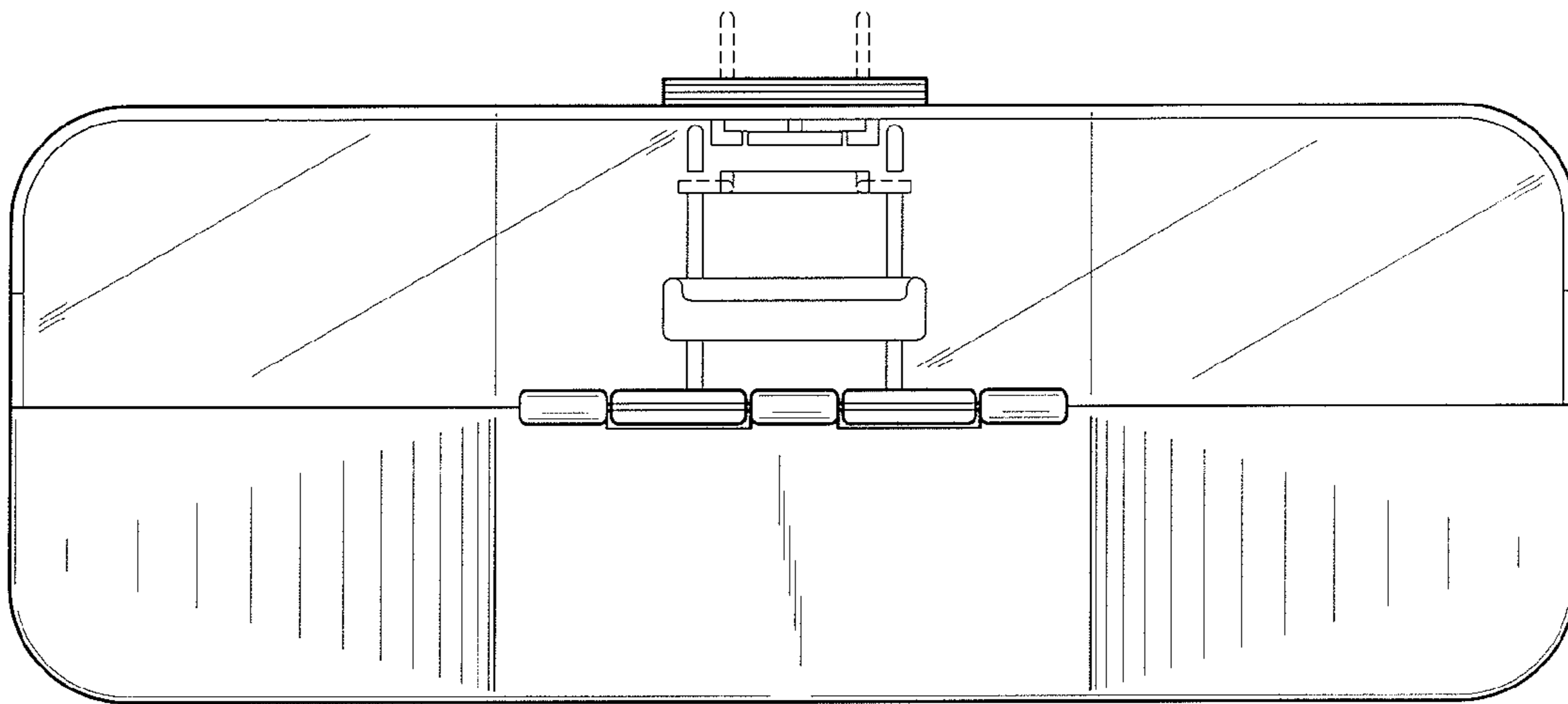


FIG. 7

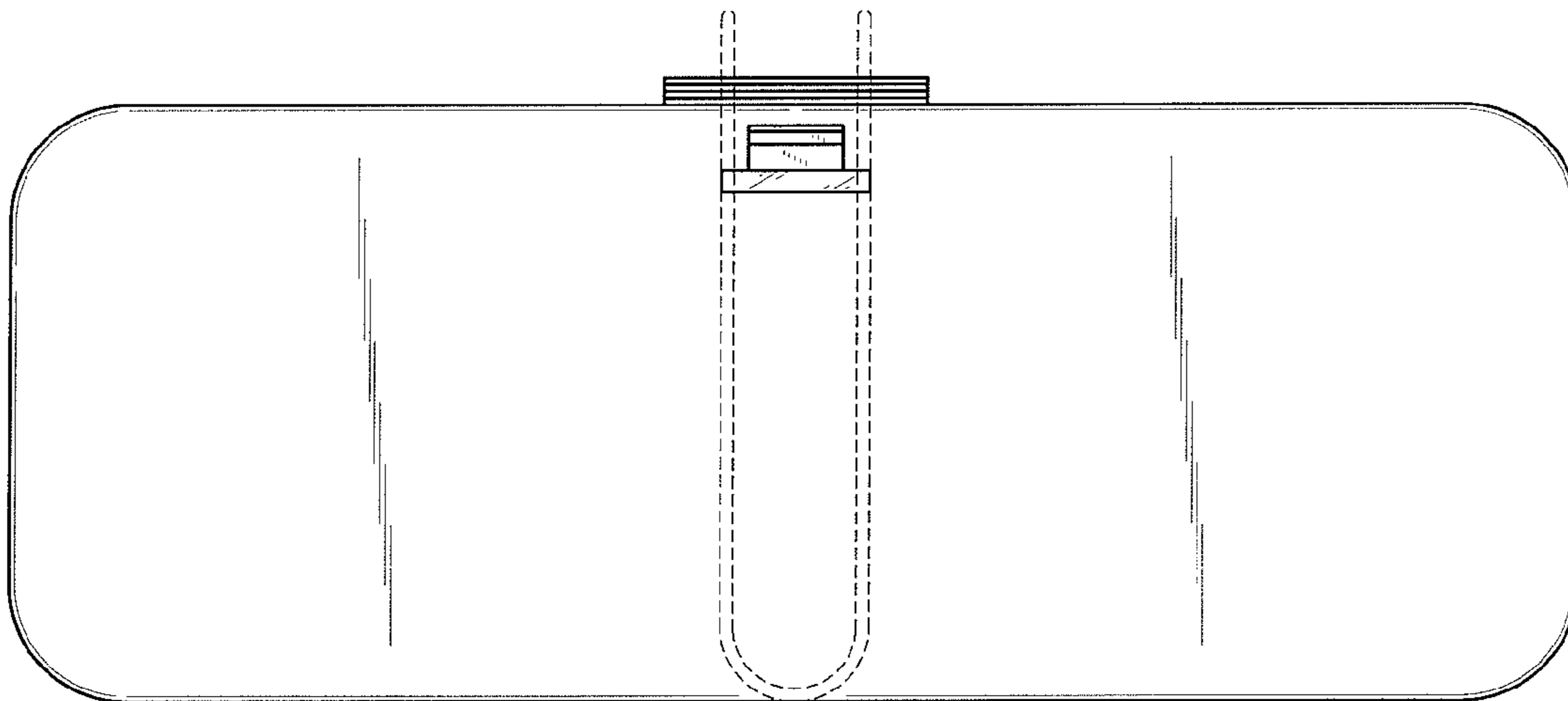


FIG. 8

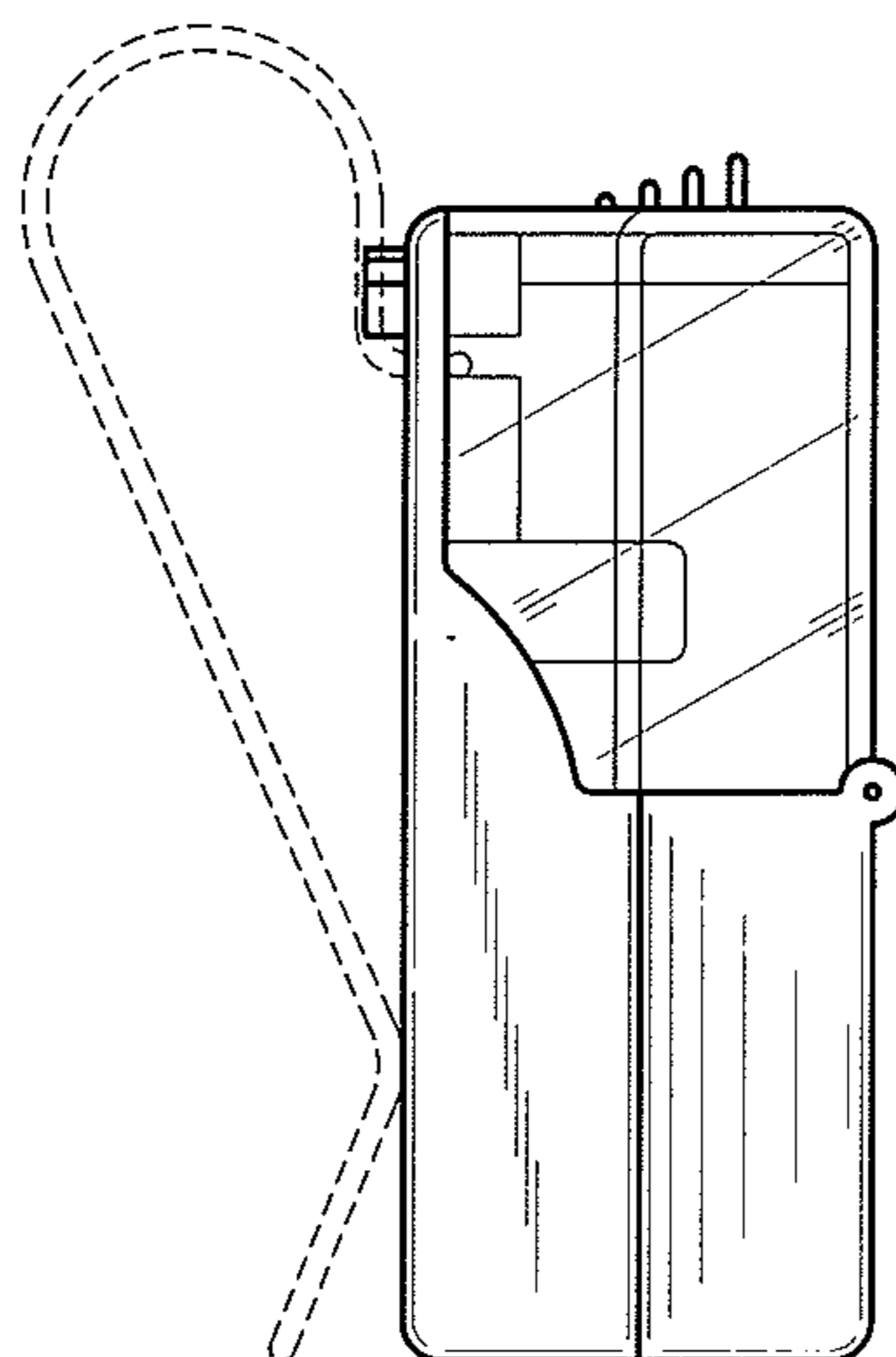


FIG. 9

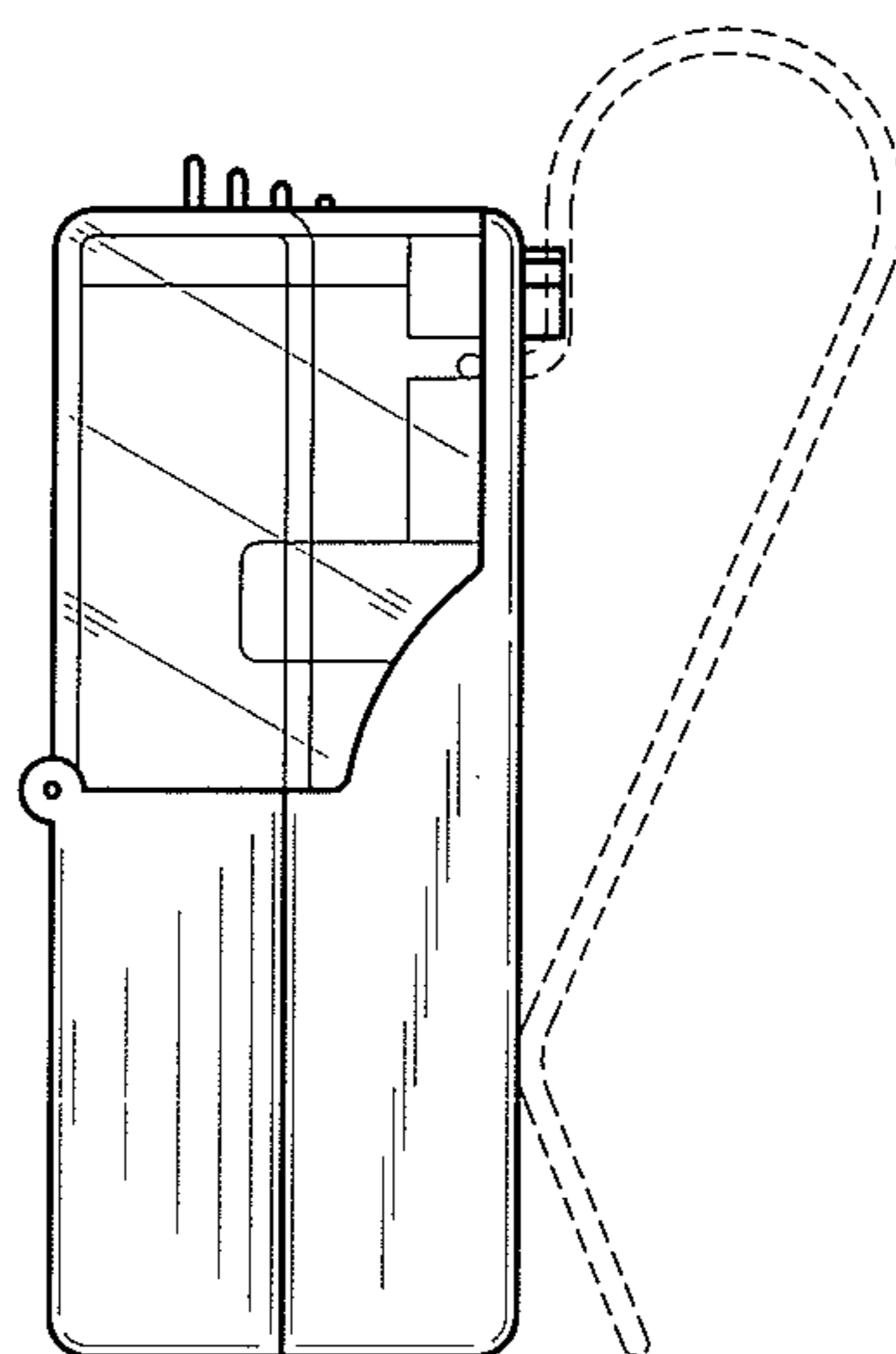


FIG. 10