



US00D712653S

(12) **United States Design Patent**  
**Van Migem et al.**

(10) **Patent No.:** **US D712,653 S**

(45) **Date of Patent:** **\*\* Sep. 9, 2014**

(54) **SHOPPING BAG WITH REFLECTIVE STRIPS**

(56) **References Cited**

(71) Applicant: **Jamamosva Gifts JLT**, Dubai (AE)

U.S. PATENT DOCUMENTS

(72) Inventors: **Olivier Van Migem**, Edegem (BE);  
**Frederic Collignon**, Wilrijk (BE)

3,550,663 A \* 12/1970 Johnston ..... 150/103  
D632,074 S \* 2/2011 Chan et al. .... D3/232

(73) Assignee: **Jamamosva Gifts JLT**, Dubai (AE)

\* cited by examiner

(\*\*) Term: **14 Years**

*Primary Examiner* — Holly Baynham

(21) Appl. No.: **29/454,754**

(74) *Attorney, Agent, or Firm* — Kirschstein et al.

(22) Filed: **May 14, 2013**

(57) **CLAIM**

The ornamental design for a shopping bag with reflective strips, as shown and described.

(30) **Foreign Application Priority Data**

**DESCRIPTION**

Nov. 14, 2012 (EM) ..... 001351282-0001

(51) **LOC (10) Cl.** ..... **03-01**

(52) **U.S. Cl.**  
USPC ..... **D3/232**

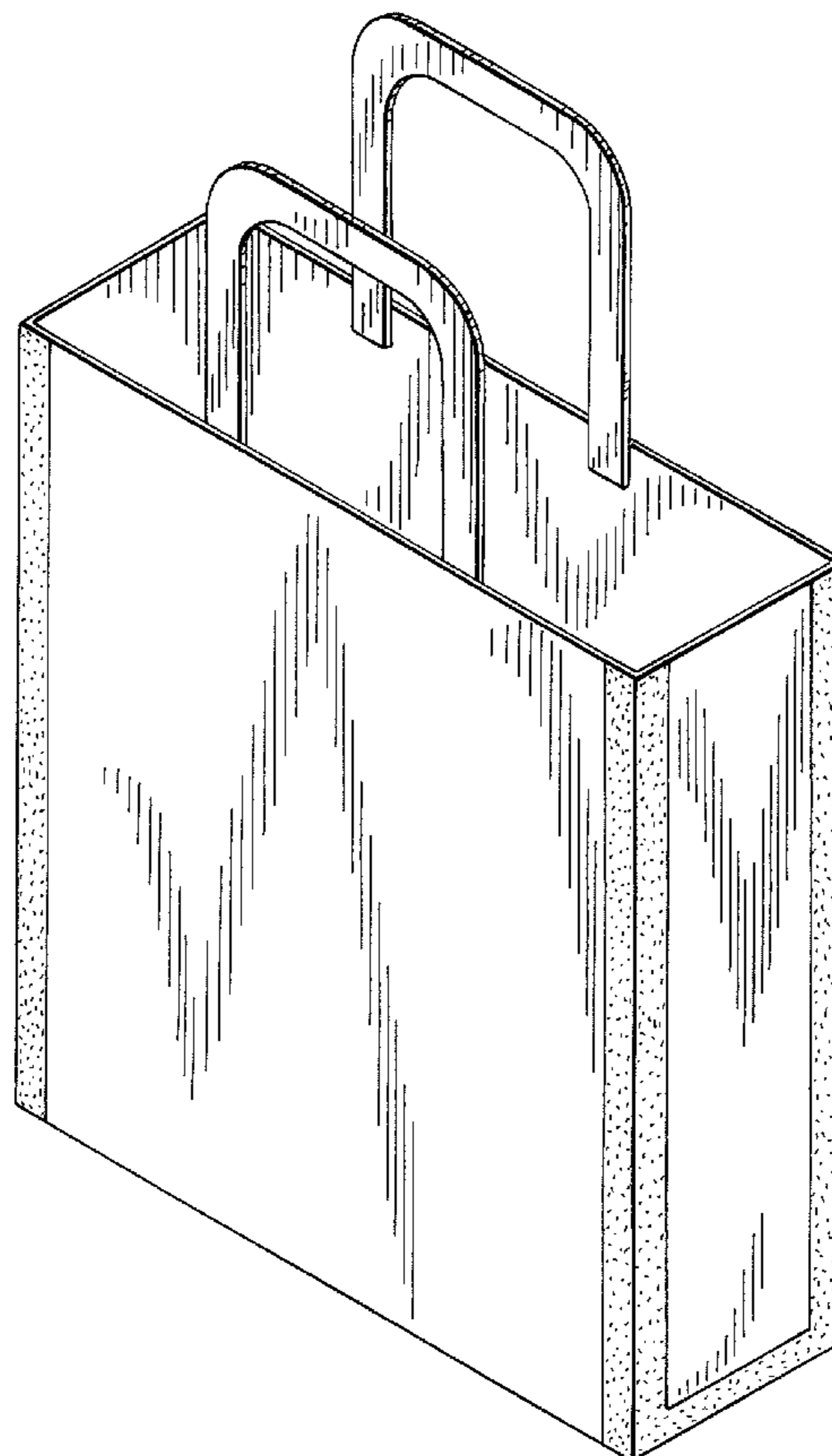
(58) **Field of Classification Search**

CPC ..... A45C 1/024; A45C 3/06  
USPC ..... D3/232–233, 240–243, 245–246;  
150/100, 103–110, 113–114, 117–119

FIG. 1 is a perspective view of a shopping bag with reflective strips according to our new design;  
FIG. 2 is a top plan view thereof;  
FIG. 3 is a front elevational view thereof, the rear elevational view being a mirror image;  
FIG. 4 is a right side elevational view thereof, the left side elevational view being a mirror image; and,  
FIG. 5 is a bottom plan view thereof.  
The stippled shading shown on the views represent reflective surfaces.

See application file for complete search history.

**1 Claim, 3 Drawing Sheets**



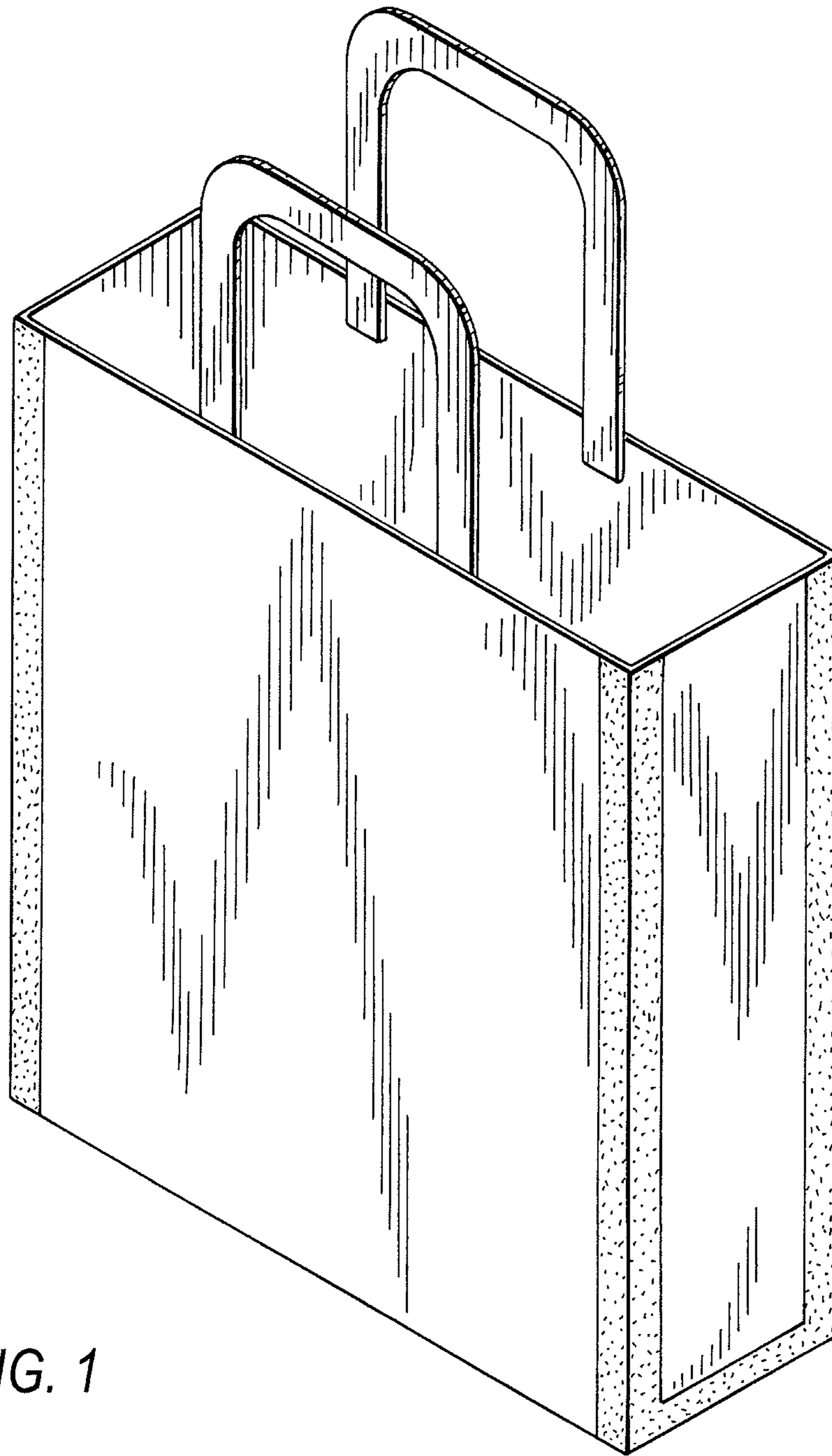


FIG. 1

FIG. 2

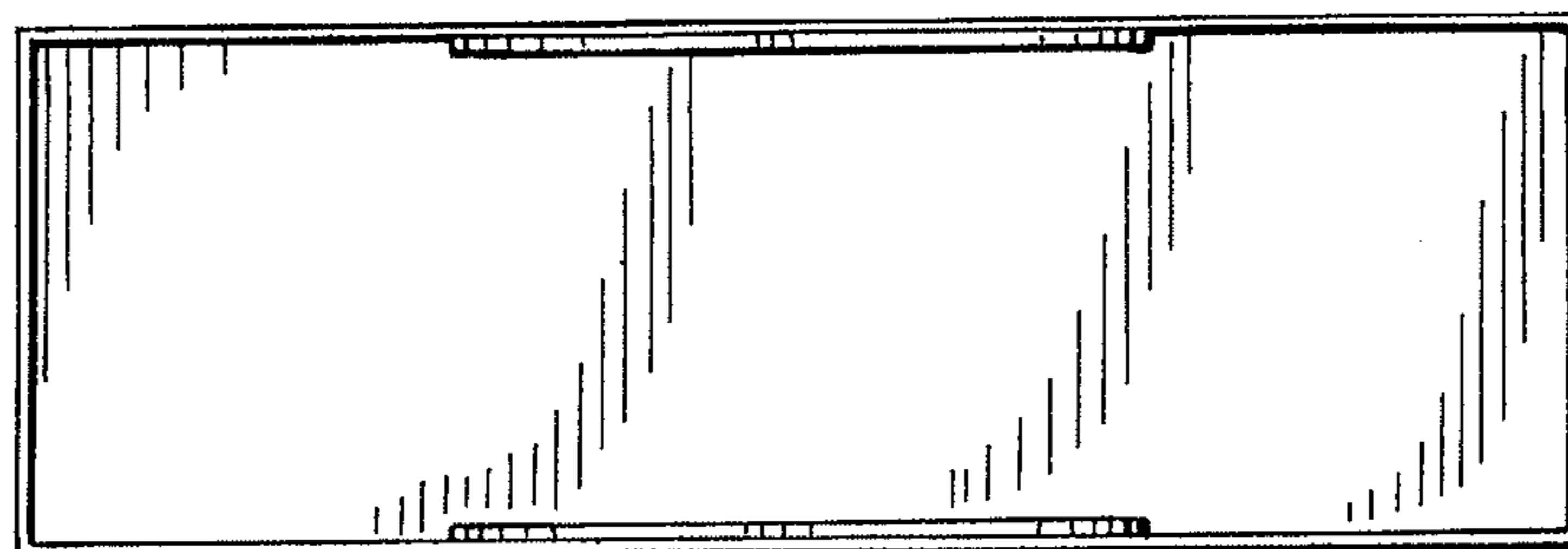


FIG. 3

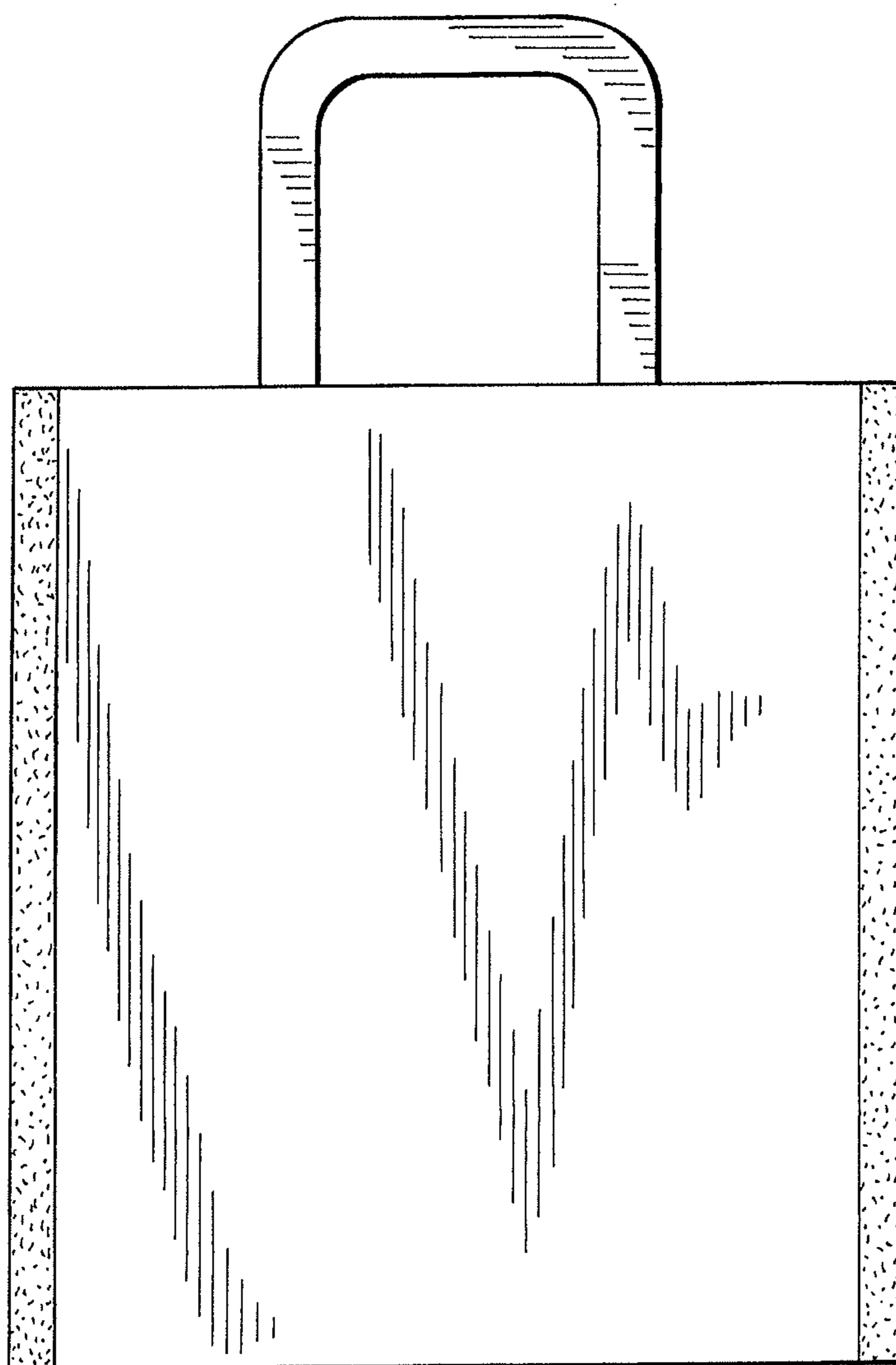


FIG. 4

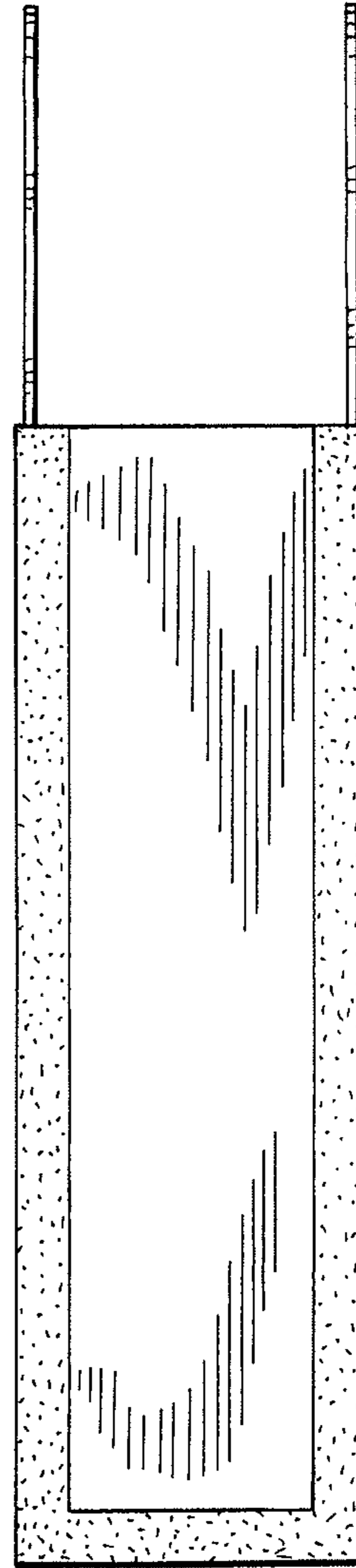


FIG. 5

