



US00D712652S

(12) **United States Design Patent**  
**Gonzales**

(10) **Patent No.:** **US D712,652 S**  
(45) **Date of Patent:** **\*\* Sep. 9, 2014**

(54) **FEMININE CARE CARRY CASE**  
(71) Applicant: **Sherri Gonzales**, Parker, CO (US)  
(72) Inventor: **Sherri Gonzales**, Parker, CO (US)  
(\*\*) Term: **14 Years**

*Primary Examiner* — Holly Baynham  
(74) *Attorney, Agent, or Firm* — Robert M. Downey, P.A.

(21) Appl. No.: **29/454,744**  
(22) Filed: **May 14, 2013**  
(51) **LOC (10) Cl.** ..... **03-01**  
(52) **U.S. Cl.**  
USPC ..... **D3/232**  
(58) **Field of Classification Search**  
CPC ..... A45C 1/00; A45C 1/02; A45C 1/024  
USPC ..... D3/232–233, 240–243, 245–246;  
150/100, 103–110, 113–114, 117–119  
See application file for complete search history.

(57) **CLAIM**  
The ornamental design for a feminine care carry case, as shown and described.

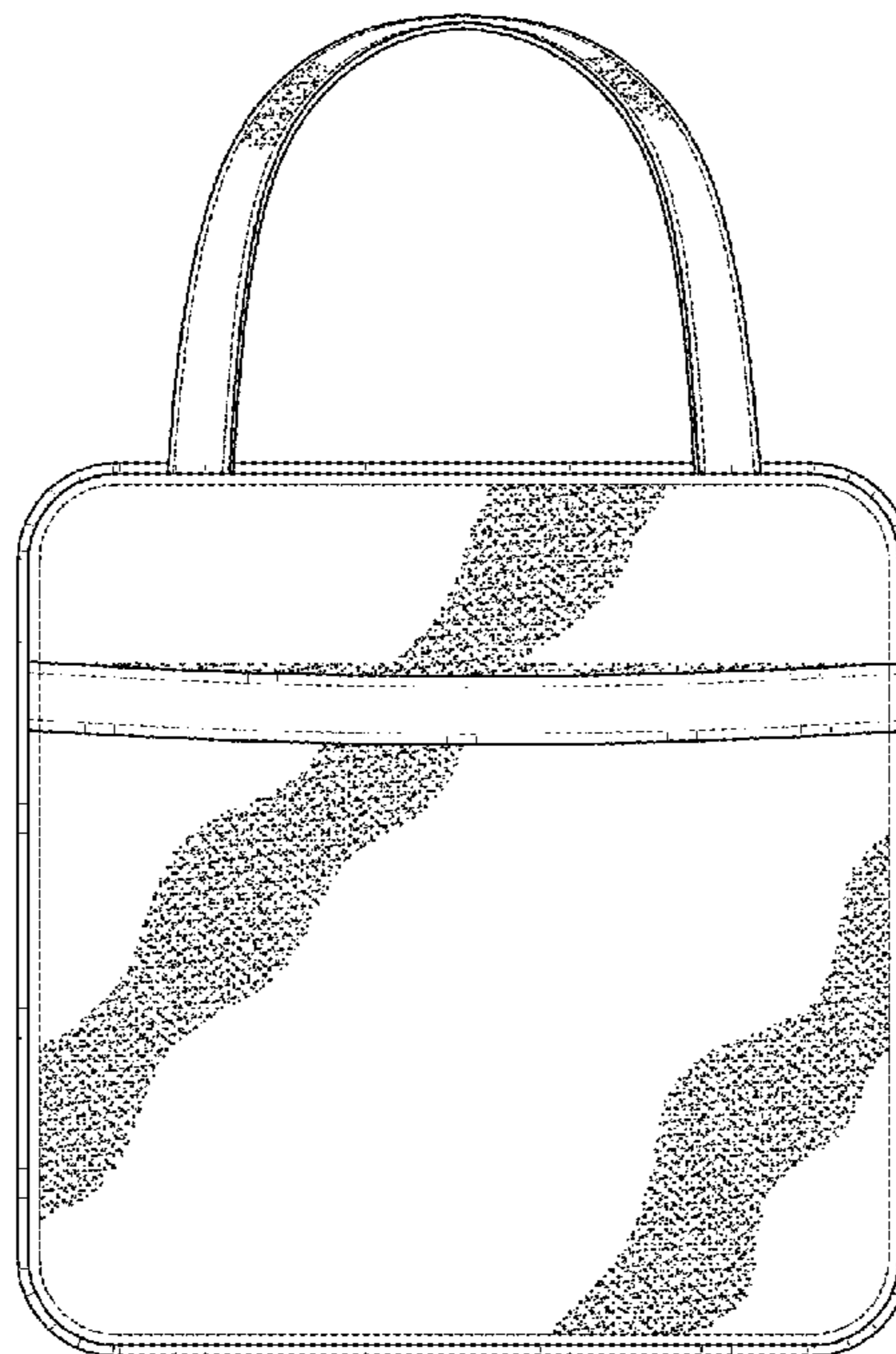
**DESCRIPTION**

FIG. 1 is a front elevational view of a feminine care carry case showing my new design;  
FIG. 2 is a rear elevational view thereof;  
FIG. 3 is a right side elevational view thereof;  
FIG. 4 a left side elevational view thereof;  
FIG. 5 is a top plan view thereof;  
FIG. 6 is a bottom plan view thereof;  
FIG. 7 is a front, top perspective view thereof;  
FIG. 8 is a rear, top perspective view thereof; and,  
FIG. 9 is a top plan view of the feminine care carry case shown in an open position showing the interior thereof.  
The broken lines showing the zipper tab in FIGS. 3-6 are for the purposes of illustrating environment and form no part of the claimed design. The broken lines showing stitching are part of the claimed design.

(56) **References Cited**  
U.S. PATENT DOCUMENTS  
D419,300 S \* 1/2000 Livingston ..... D3/284  
D568,047 S \* 5/2008 Brancky ..... D3/284  
D661,088 S \* 6/2012 Du ..... D3/233

\* cited by examiner

**1 Claim, 4 Drawing Sheets**



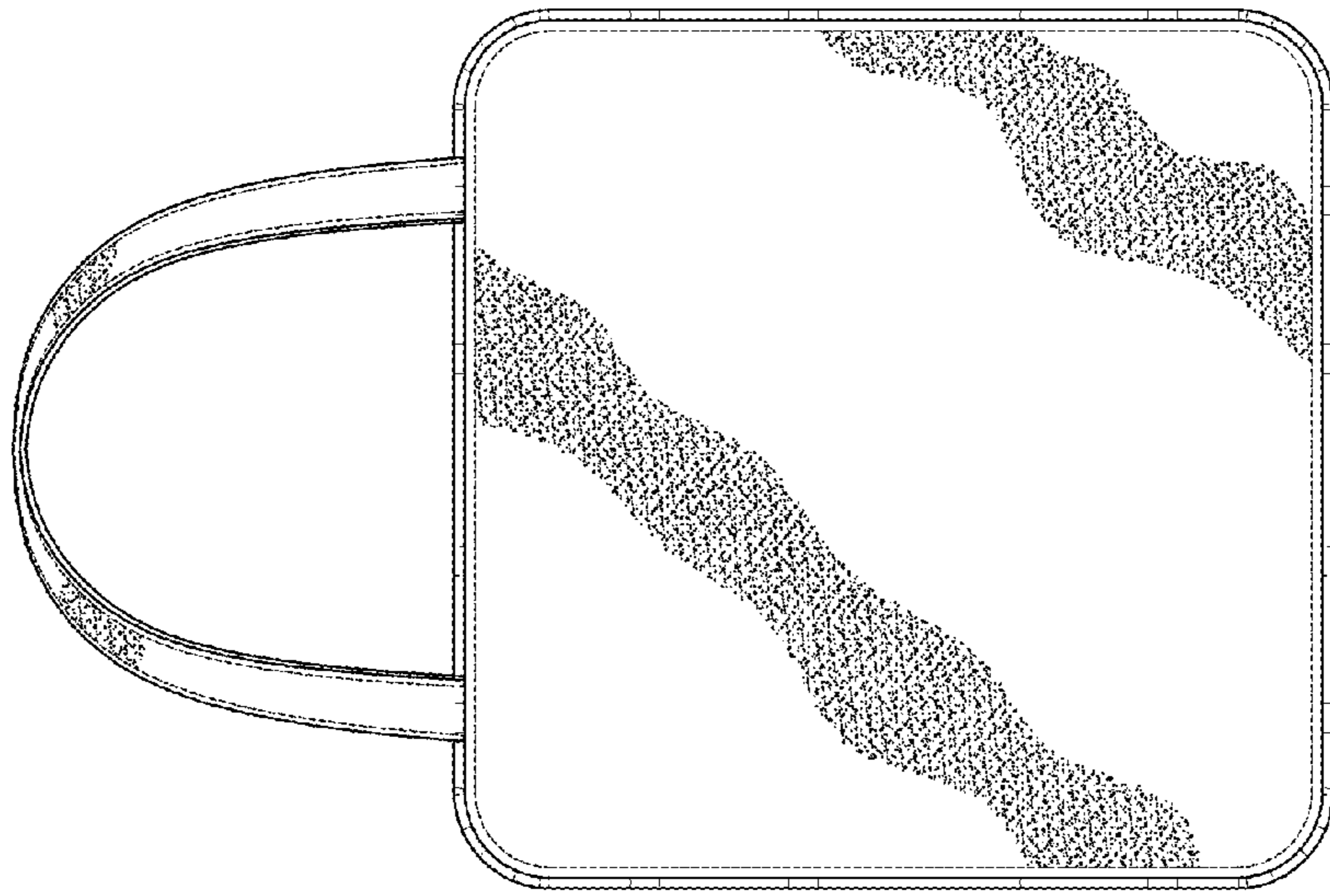


FIG. 2

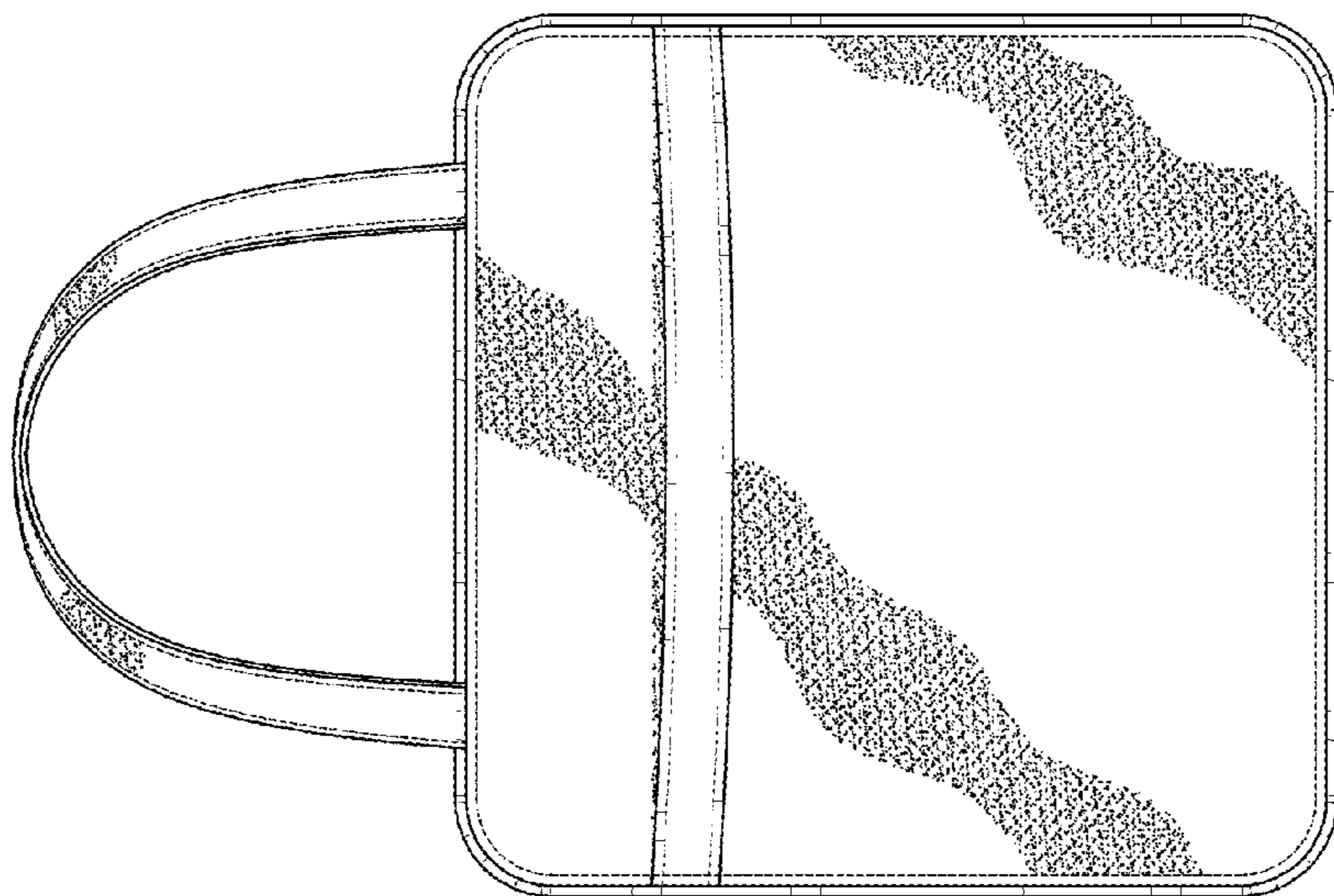


FIG. 1

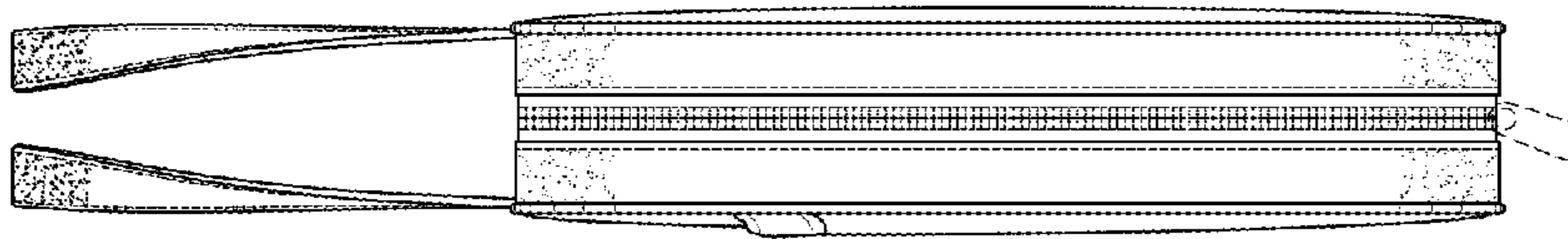


FIG. 3

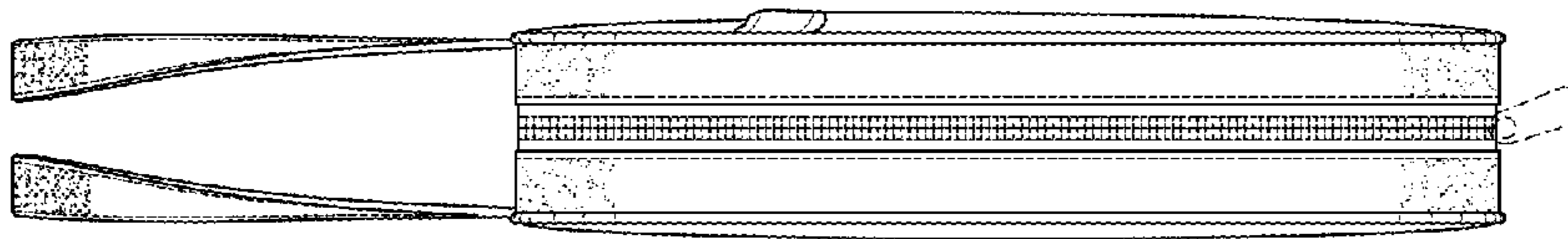


FIG. 4

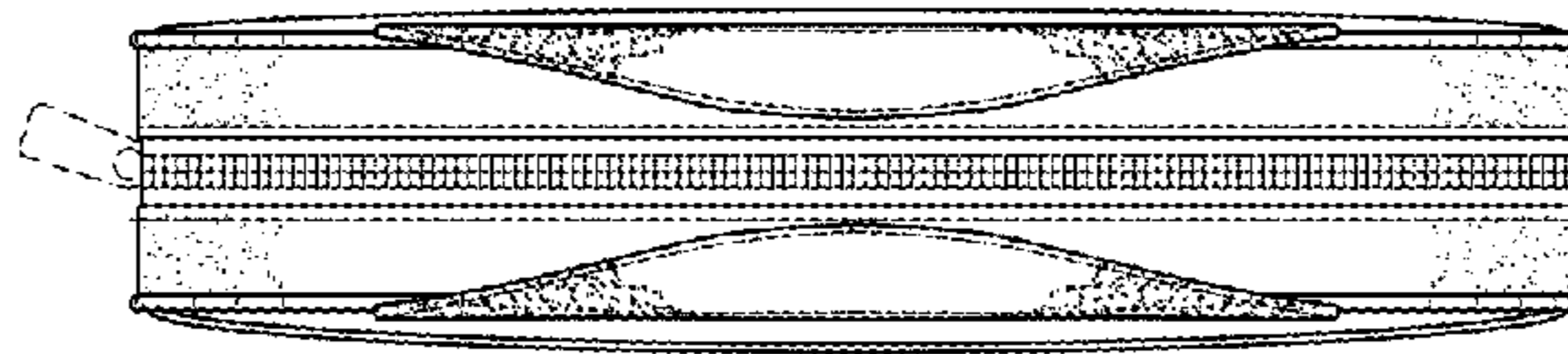


FIG. 5

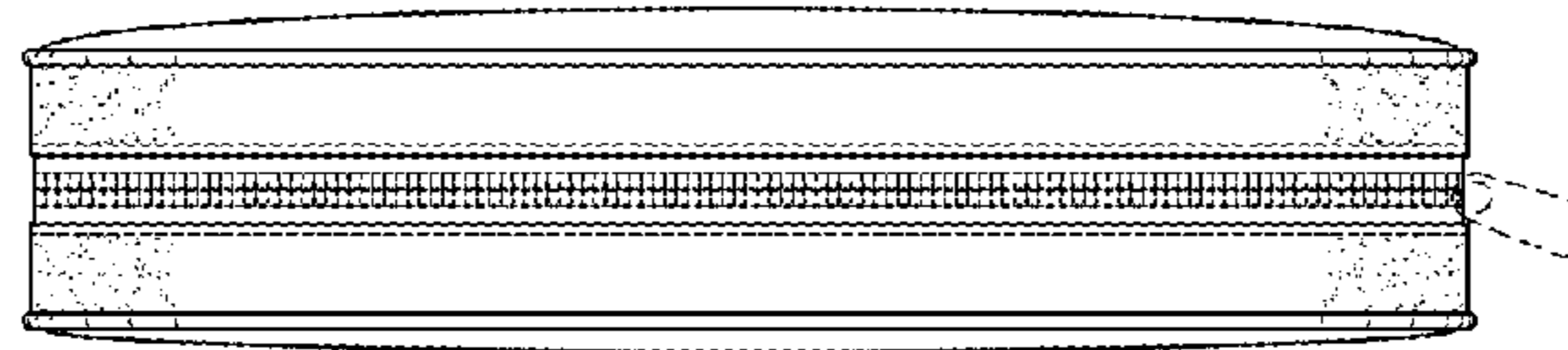


FIG. 6



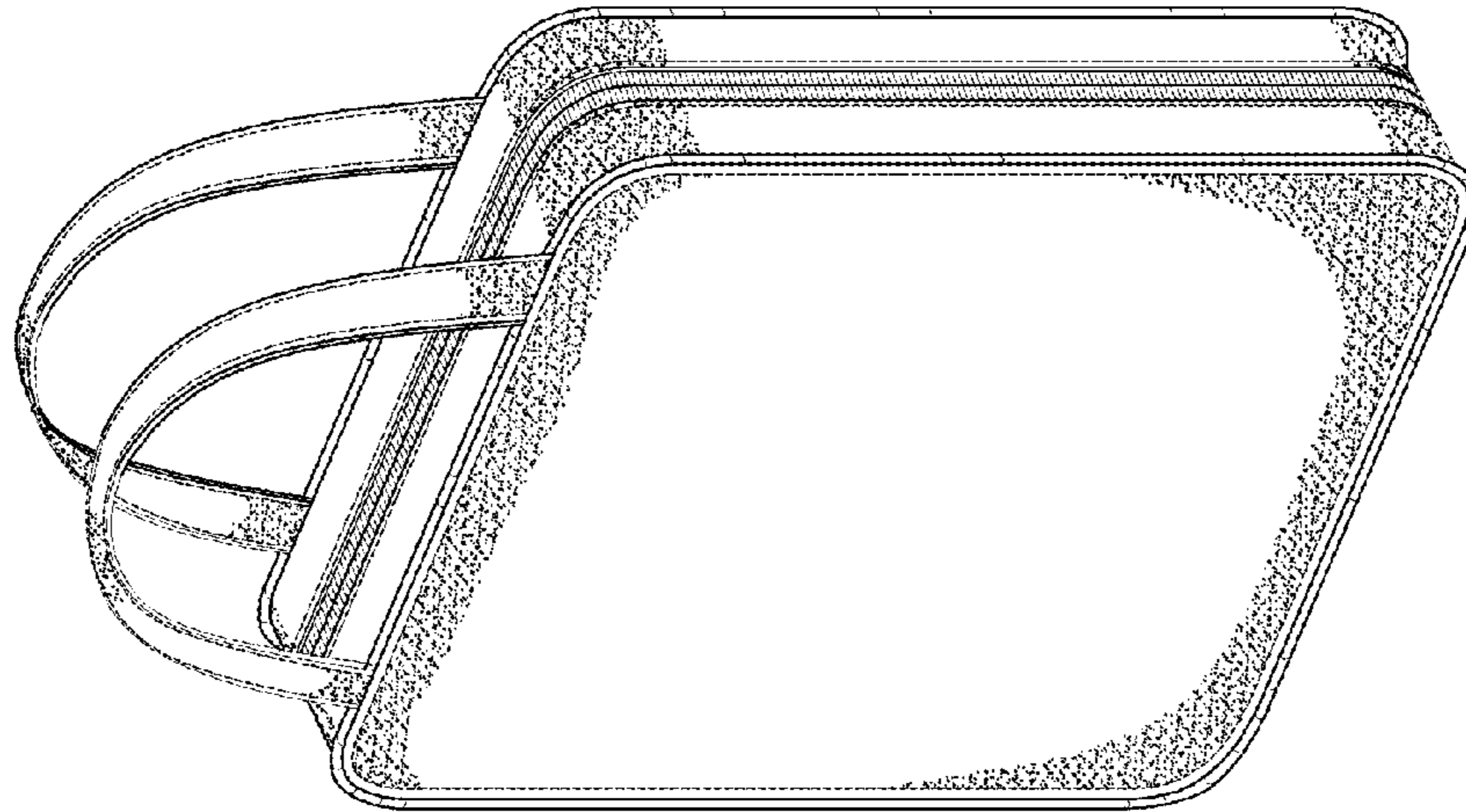


FIG. 8

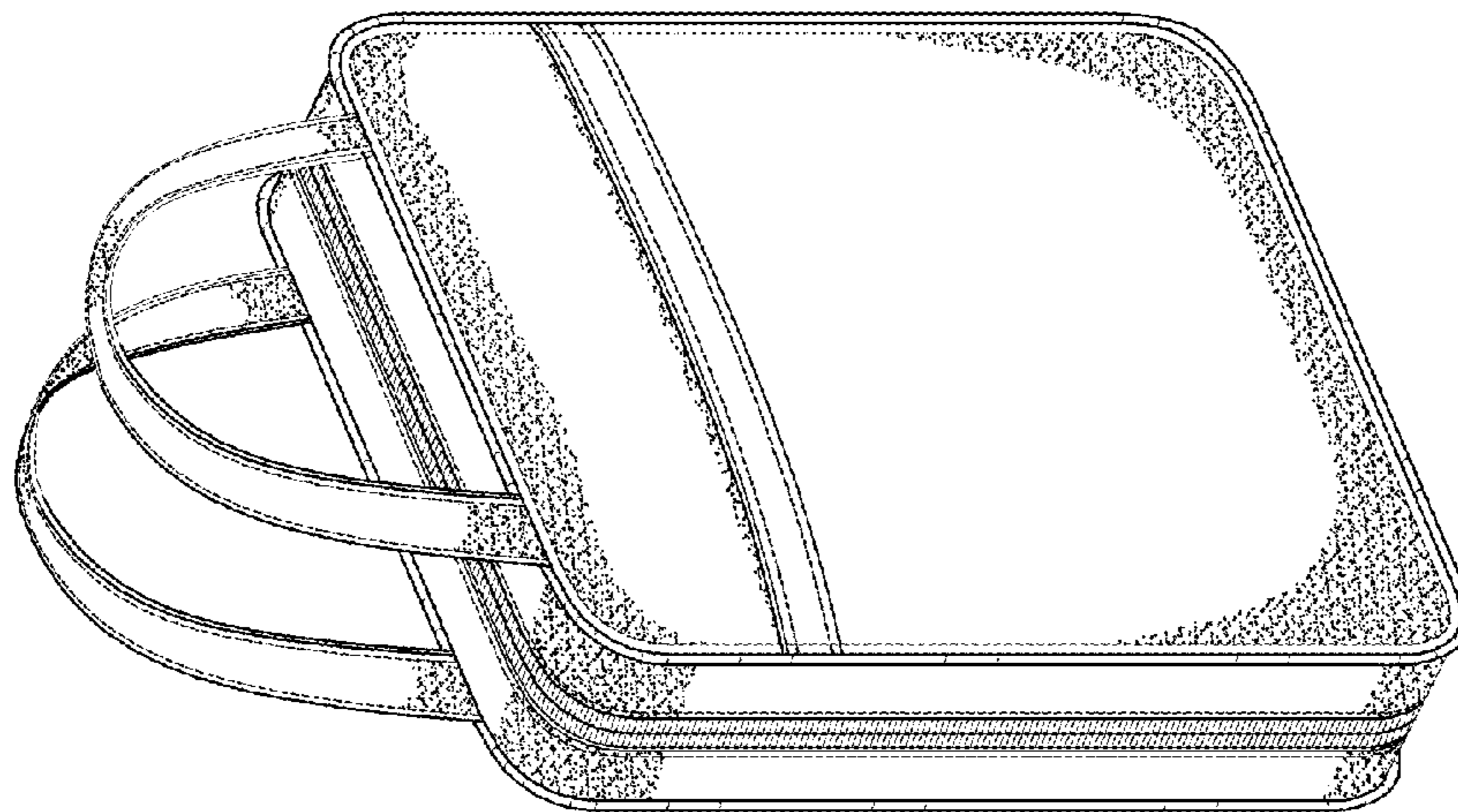


FIG. 7

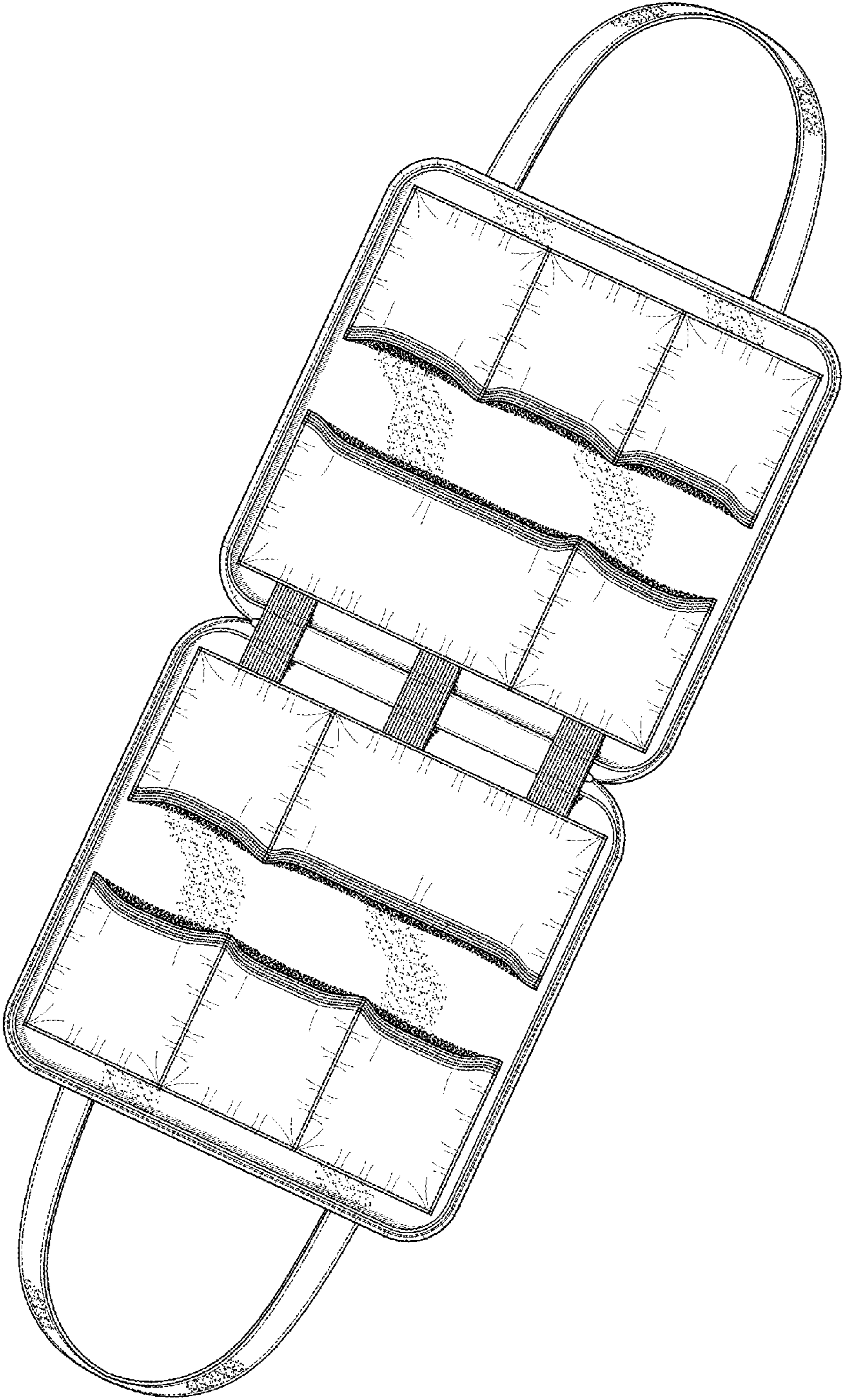


FIG. 9