



US00D712635S

(12) **United States Design Patent**  
**Rivas**

(10) **Patent No.:** **US D712,635 S**

(45) **Date of Patent:** **\*\* Sep. 9, 2014**

(54) **HAT WITH VISOR HAVING A FACETED FRONT EDGE**

(71) Applicant: **Joey Rivas**, Rosemead, CA (US)

(72) Inventor: **Joey Rivas**, Rosemead, CA (US)

(\*\*) Term: **14 Years**

(21) Appl. No.: **29/457,889**

(22) Filed: **Jun. 13, 2013**

(51) **LOC (10) Cl.** ..... **02-03**

(52) **U.S. Cl.**

USPC ..... **D2/882**

(58) **Field of Classification Search**

USPC ..... D2/865, 866, 872, 878, 879, 882, 883,  
D2/884, 886, 887, 888, 891, 892; 2/171,  
2/171.5, 171.6, 171.7, 171.8, 175.1,  
2/175.9, 183, 195.1, 195.2, 209.12,  
2/209.13, 209.3, 209.4, 209.5, 209.7

See application file for complete search history.

(56) **References Cited**

**U.S. PATENT DOCUMENTS**

D53,288 S 5/1919 Carewell  
D121,538 S \* 7/1940 Bressler ..... D2/877

(Continued)

**FOREIGN PATENT DOCUMENTS**

KR 300595718.0001 \* 12/2009  
KR 300551620.0000 \* 1/2010

(Continued)

*Primary Examiner* — Karen E Eldridge Powers

(74) *Attorney, Agent, or Firm* — QuickPatents; Kevin Prince

(57) **CLAIM**

I claim the ornamental design for a hat with visor having a faceted front edge, as shown and described.

**DESCRIPTION**

FIG. 1 is a perspective view of a hat with visor having a faceted front edge, showing a first embodiment of my new design;

FIG. 2 is a front elevational view of the hat shown in FIG. 1;

FIG. 3 is a rear elevational view of the hat shown in FIG. 1;

FIG. 4 is a left-side elevational view of the hat shown in FIG. 1, the right-side elevational view being a mirror image thereof;

FIG. 5 is a top plan view of the hat shown in FIG. 1;

FIG. 6 is a bottom plan view of the hat shown in FIG. 1;

FIG. 7 is a perspective view of a second embodiment thereof;

FIG. 8 is a front elevational view of the hat shown in FIG. 7;

FIG. 9 is a rear elevational view of the hat shown in FIG. 7;

FIG. 10 is a left-side elevational view of the hat shown in FIG. 7, the right-side elevational view being a mirror image thereof;

FIG. 11 is a top plan view of the hat shown in FIG. 7;

FIG. 12 is a bottom plan view of the hat shown in FIG. 7;

FIG. 13 is a perspective view of a third embodiment thereof;

FIG. 14 is a front elevational view of the hat shown in FIG. 13;

FIG. 15 is a rear elevational view of the hat shown in FIG. 13;

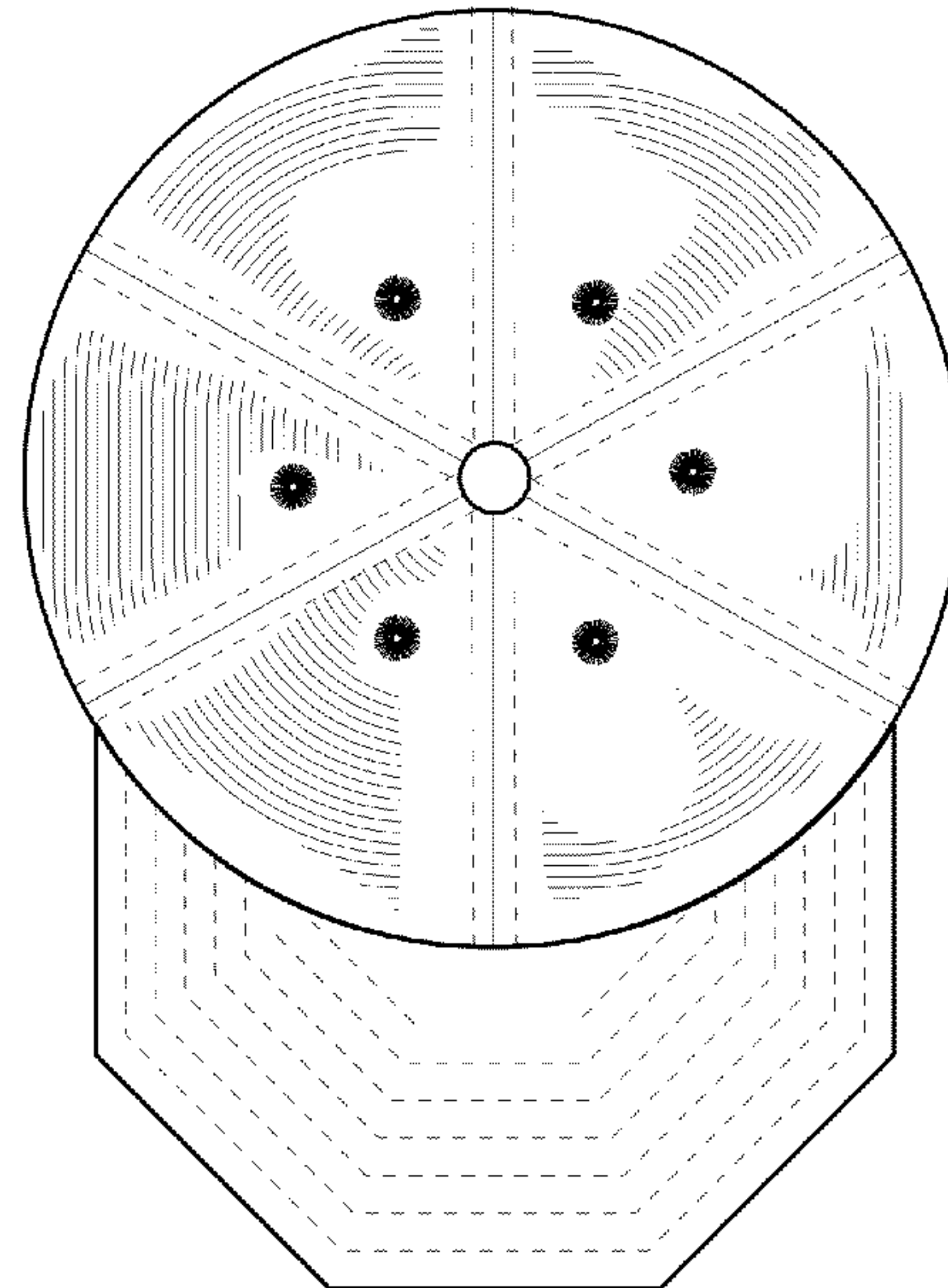
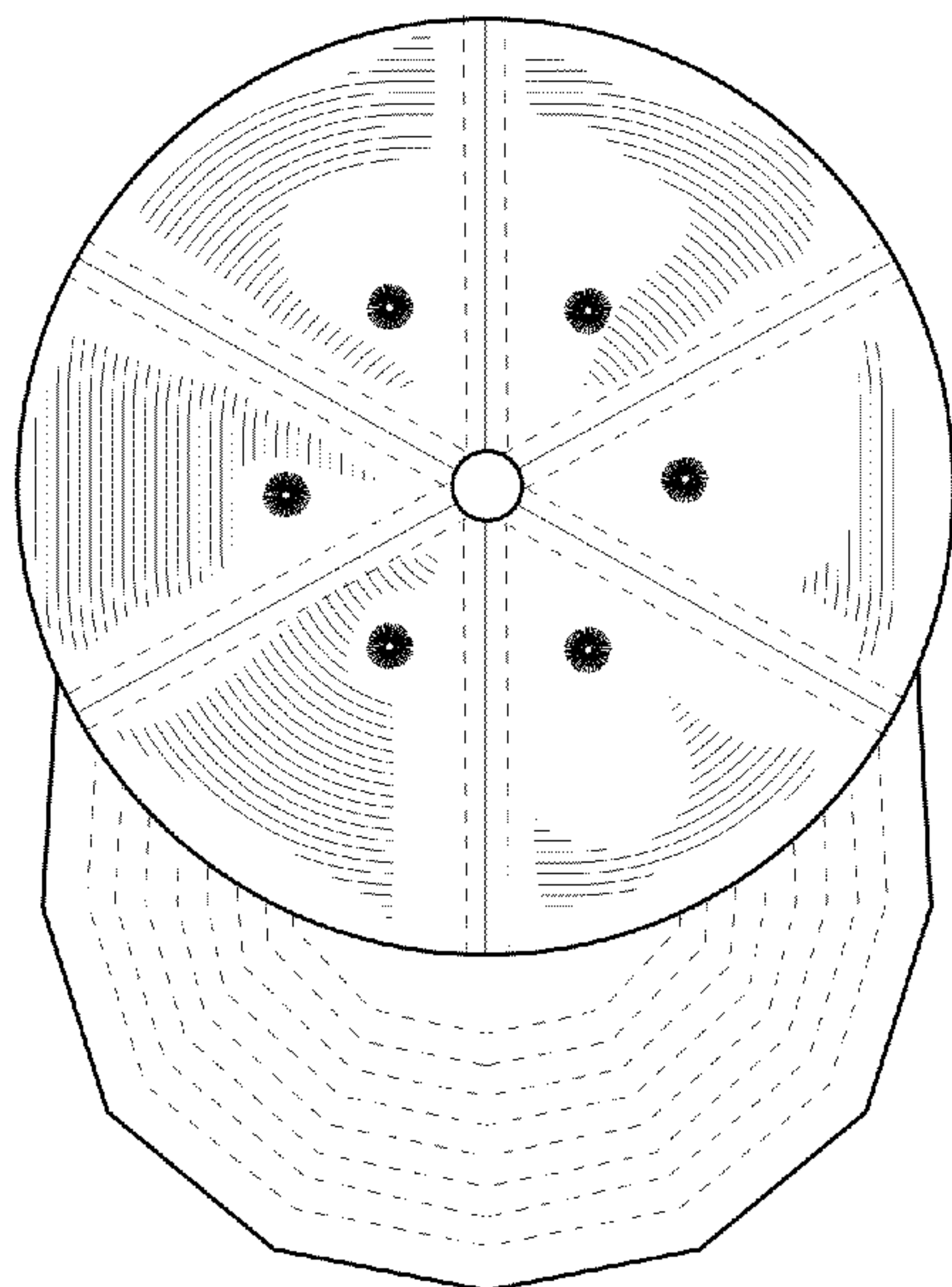
FIG. 16 is a left-side elevational view of the hat shown in FIG. 13, the right-side elevational view being a mirror image thereof;

FIG. 17 is a top plan view of the hat shown in FIG. 13; and,

FIG. 18 is a bottom plan view of the hat shown in FIG. 13.

The broken lines showing internal portions of the design in FIGS. 6, 12, and 18 form no part of the claimed design. The remaining broken lines represent stitching, and are part of the claimed design.

**1 Claim, 6 Drawing Sheets**



(56)

**References Cited**

U.S. PATENT DOCUMENTS

4,247,957 A \* 2/1981 Rogers ..... 2/12  
 4,333,180 A 6/1982 Bay  
 D394,341 S 5/1998 Halmo  
 D396,945 S 8/1998 Glass  
 D403,140 S 12/1998 Goranovic  
 D410,134 S 5/1999 Wolken  
 D415,604 S 10/1999 Schleh  
 D455,538 S 4/2002 Rhoden  
 D481,524 S 11/2003 Myers  
 6,990,692 B1 \* 1/2006 Park ..... 2/195.6  
 D552,332 S 10/2007 Saveliev  
 7,581,261 B2 \* 9/2009 Cho ..... 2/183  
 D654,251 S \* 2/2012 Alkas-Shamoun ..... D2/882  
 D675,404 S \* 2/2013 Parker ..... D2/882

D678,663 S \* 3/2013 Gill ..... D2/882  
 2008/0000013 A1 \* 1/2008 Talley ..... 2/171  
 2009/0144882 A1 \* 6/2009 Neri ..... 2/209.13  
 2012/0096625 A1 \* 4/2012 Sarazin ..... 2/195.1  
 2013/0318688 A1 \* 12/2013 Cherin et al. .... 2/209.13

FOREIGN PATENT DOCUMENTS

KR 300562784.0000 \* 6/2010  
 KR 300594522.0000 \* 4/2011  
 KR 300594678.0000 \* 4/2011  
 KR 300601735.0000 \* 6/2011  
 KR 300618416.0000 \* 10/2011  
 KR 300618442.0000 \* 10/2011  
 KR 300618473.0000 \* 10/2011  
 KR 300618476.0000 \* 10/2011

\* cited by examiner

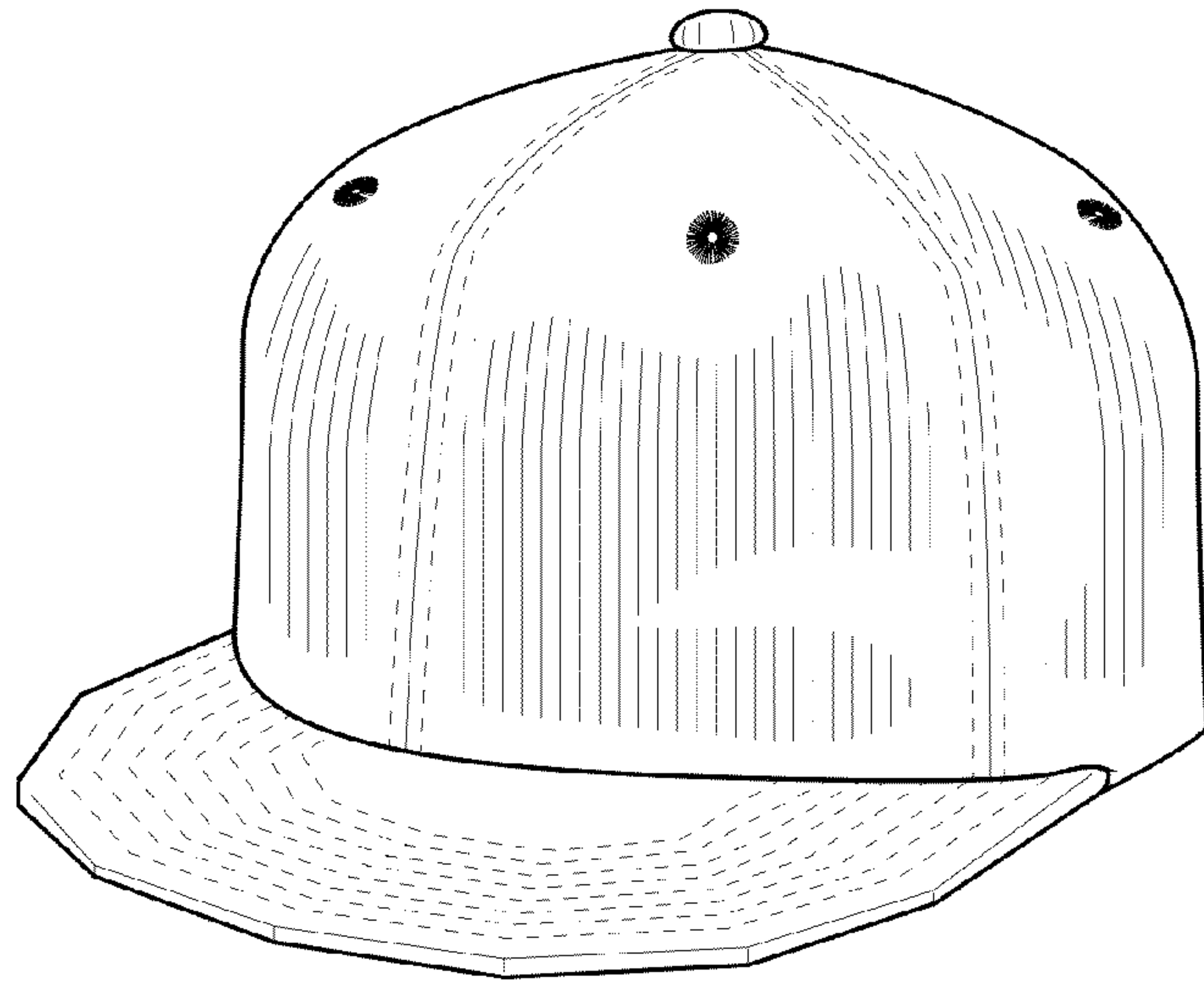


FIG. 1

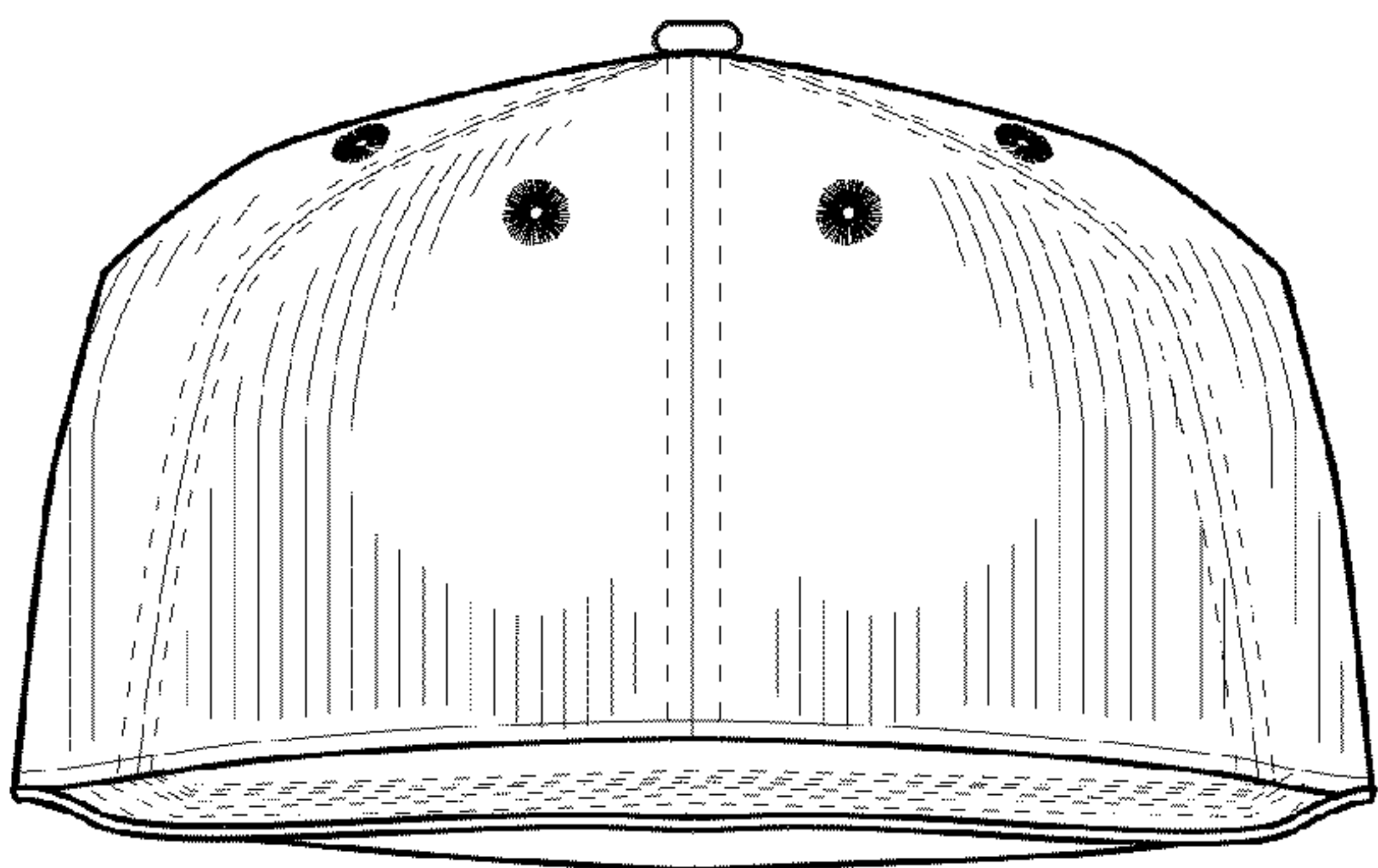


FIG. 2

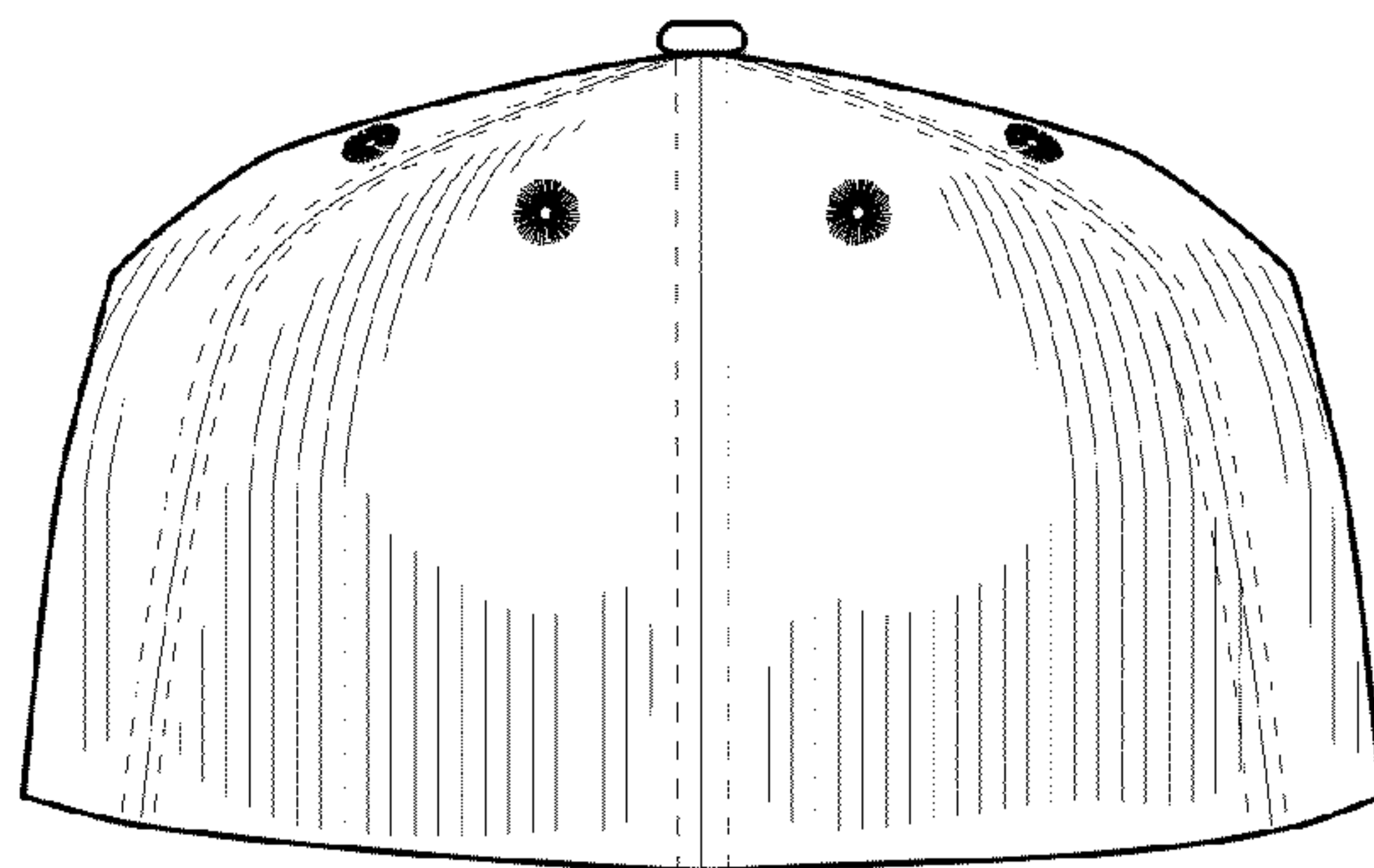


FIG. 3



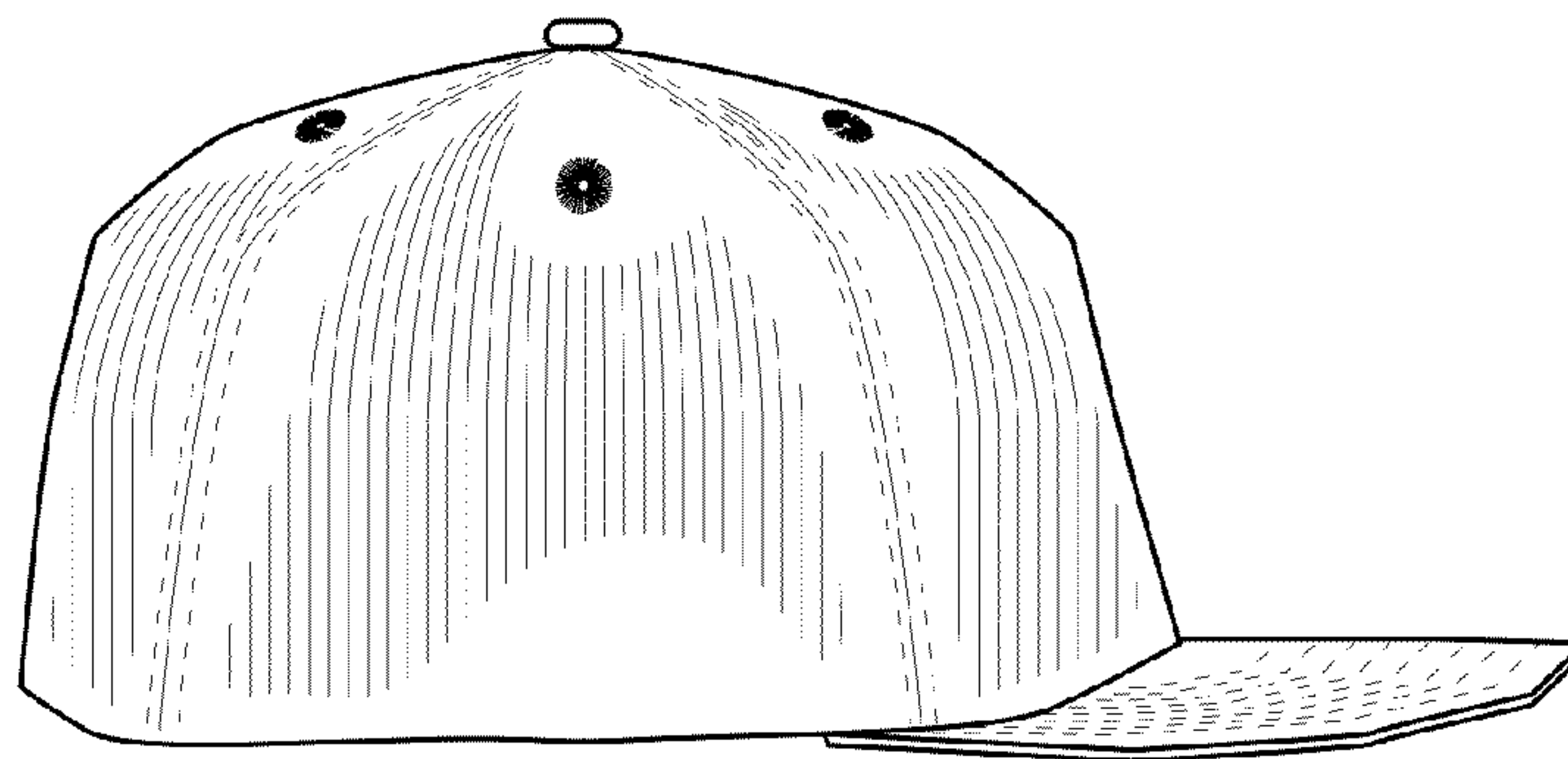


FIG. 4

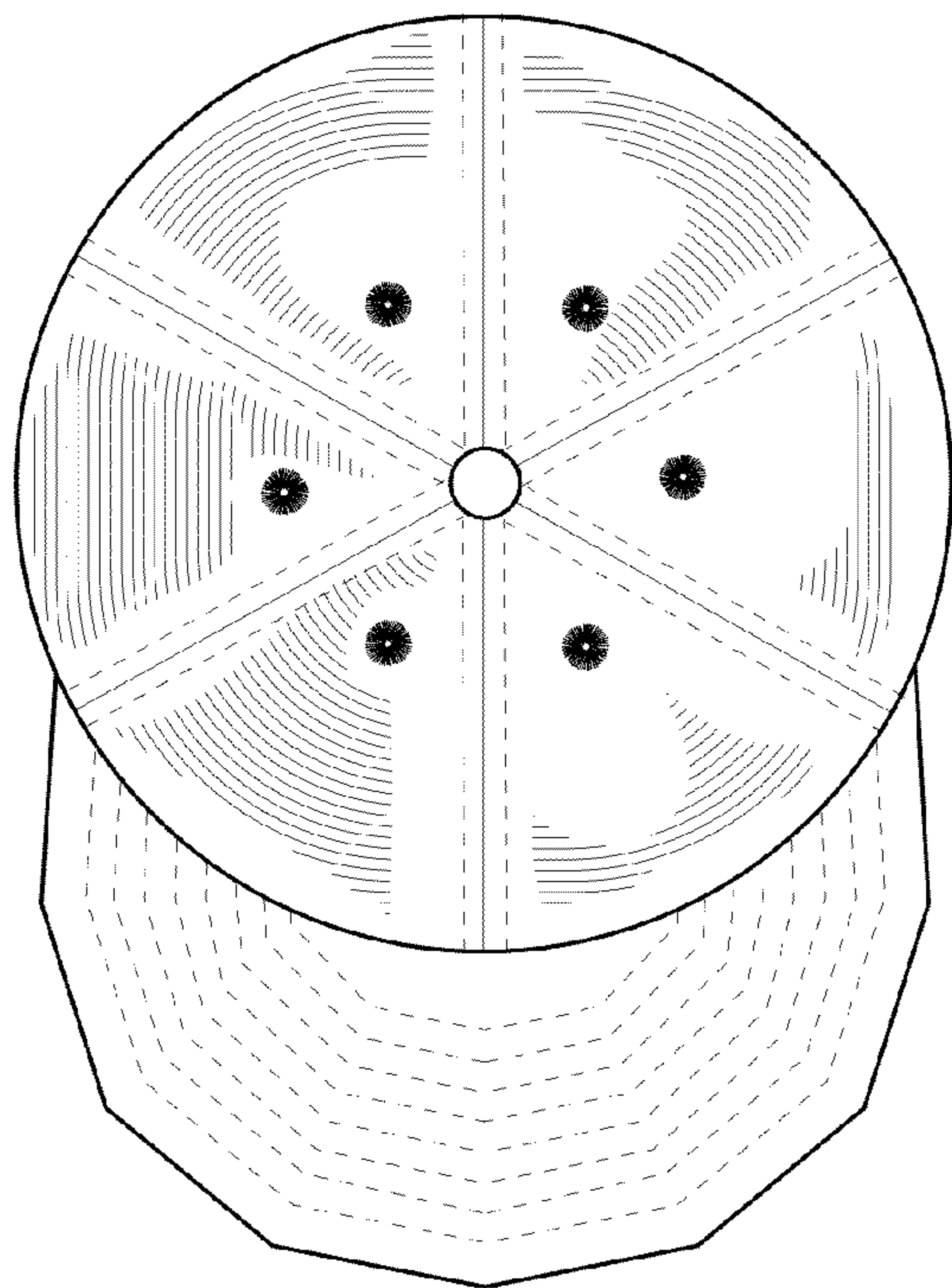


FIG. 5

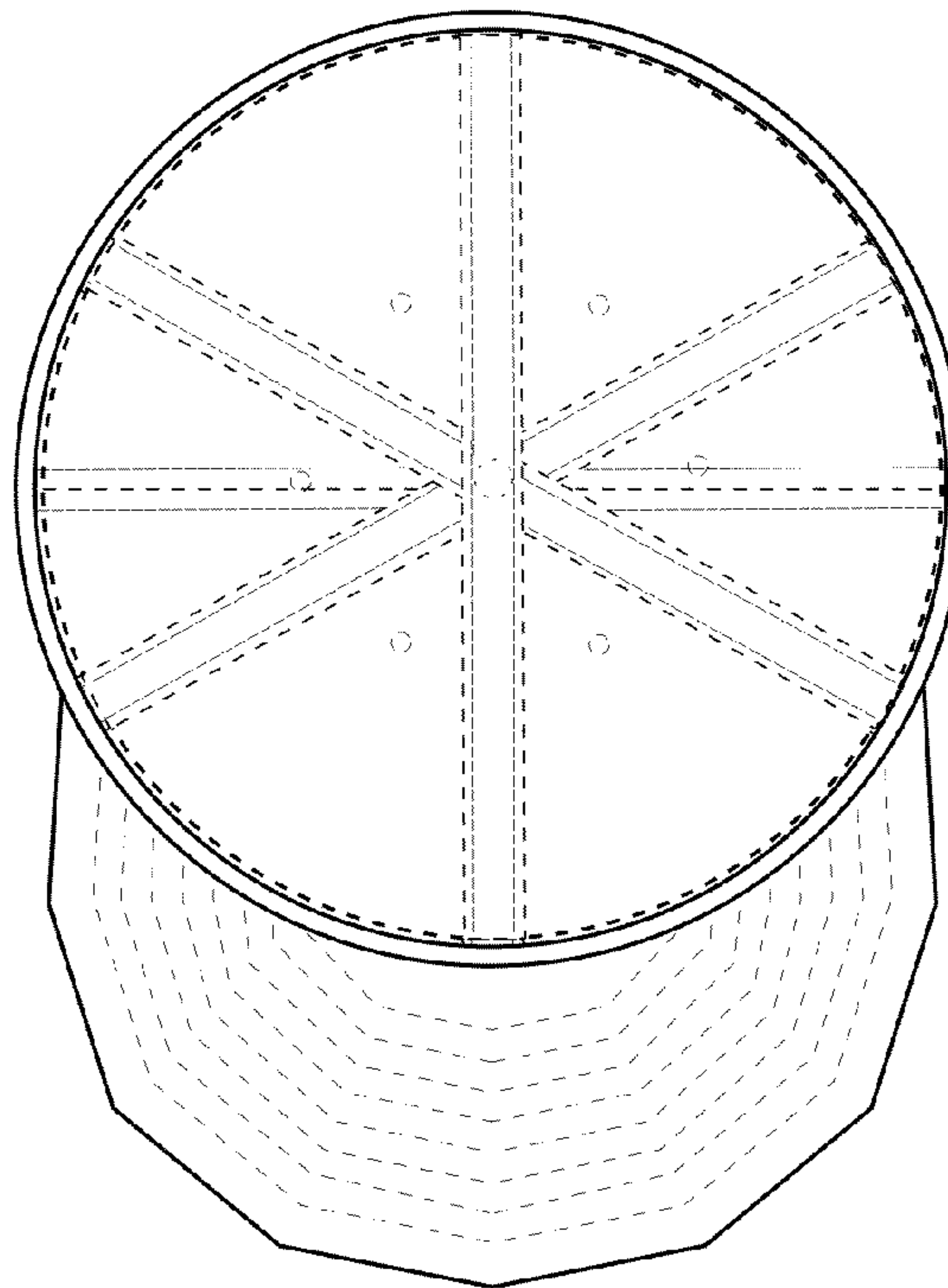


FIG. 6

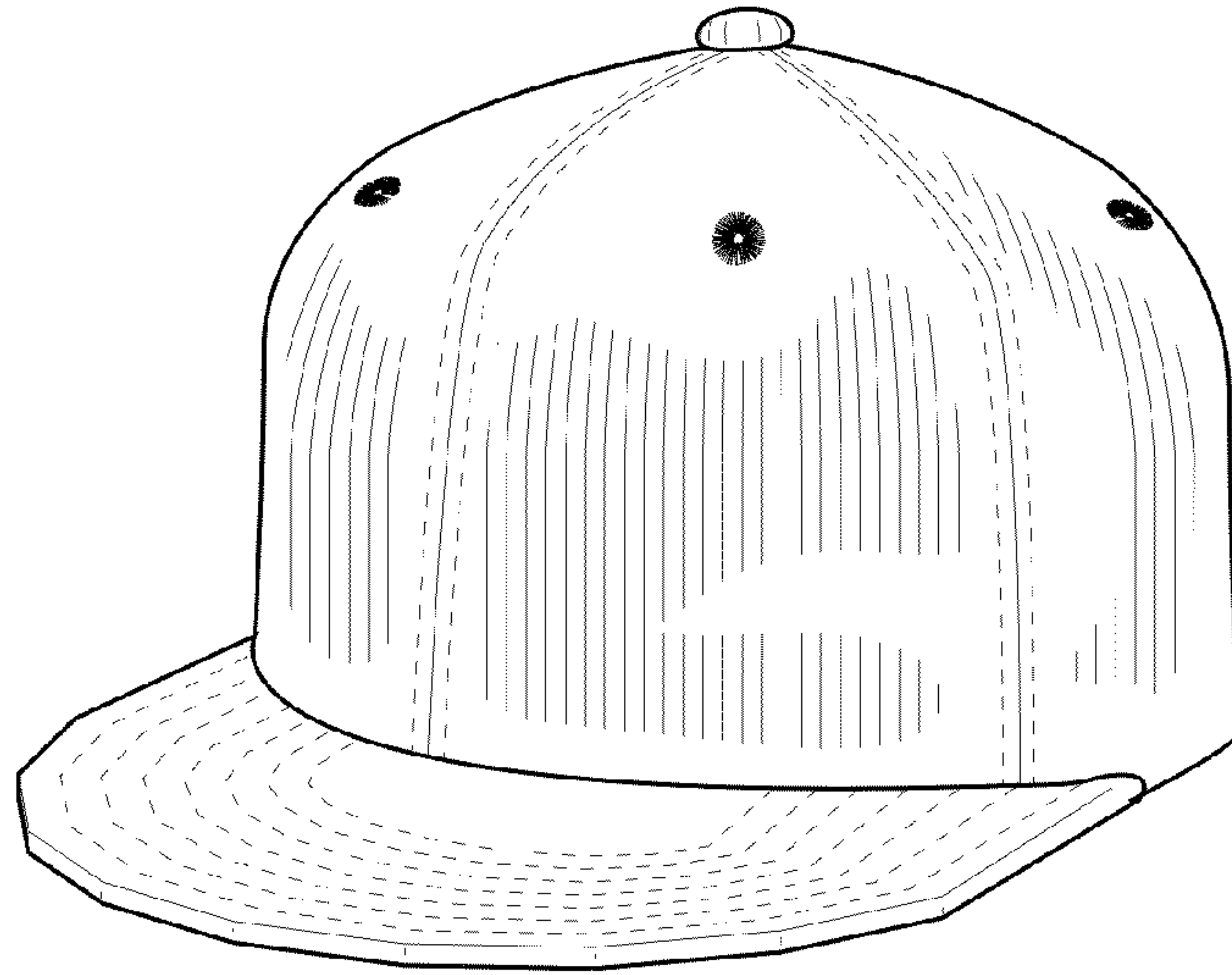


FIG. 7

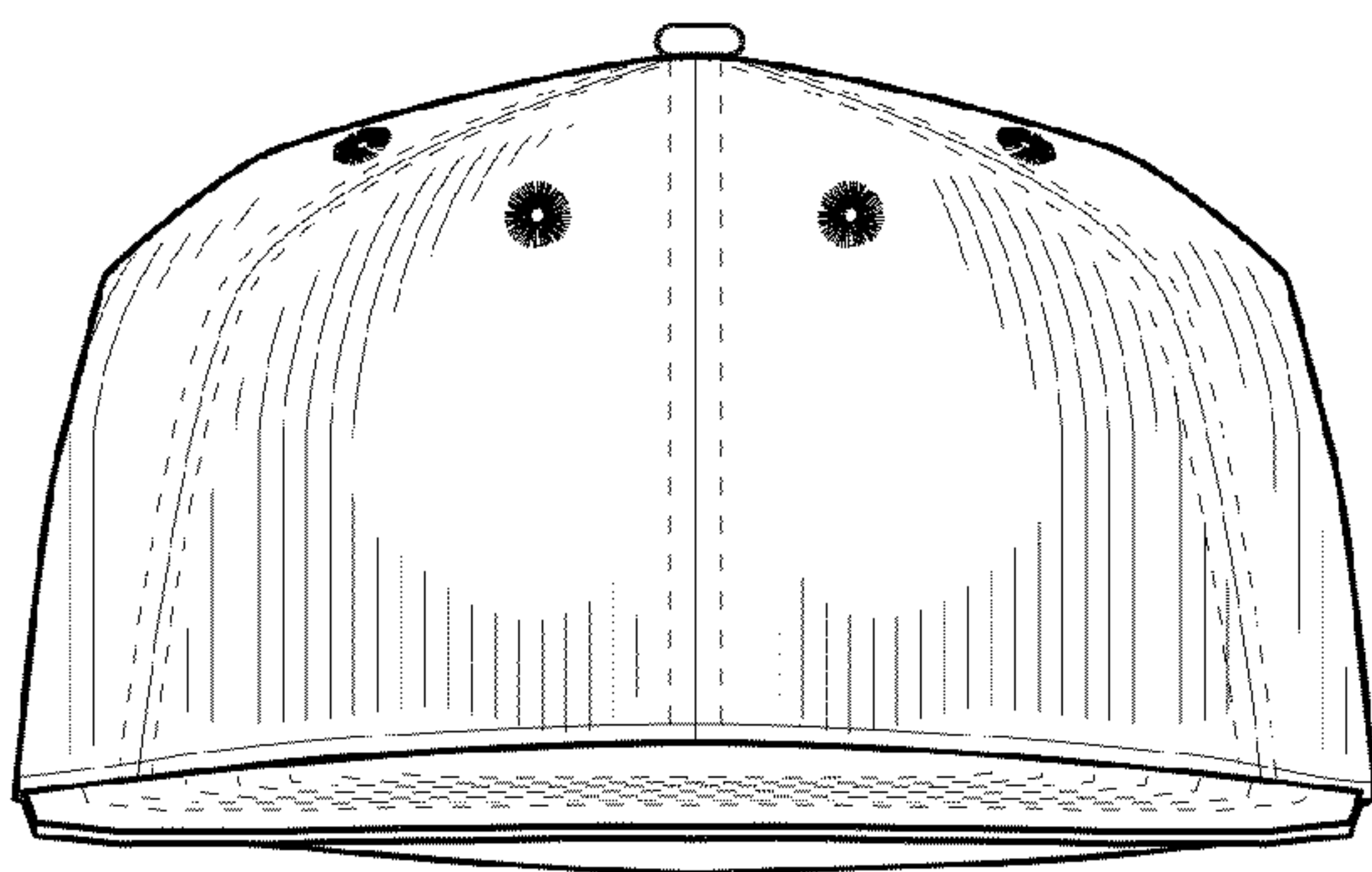


FIG. 8

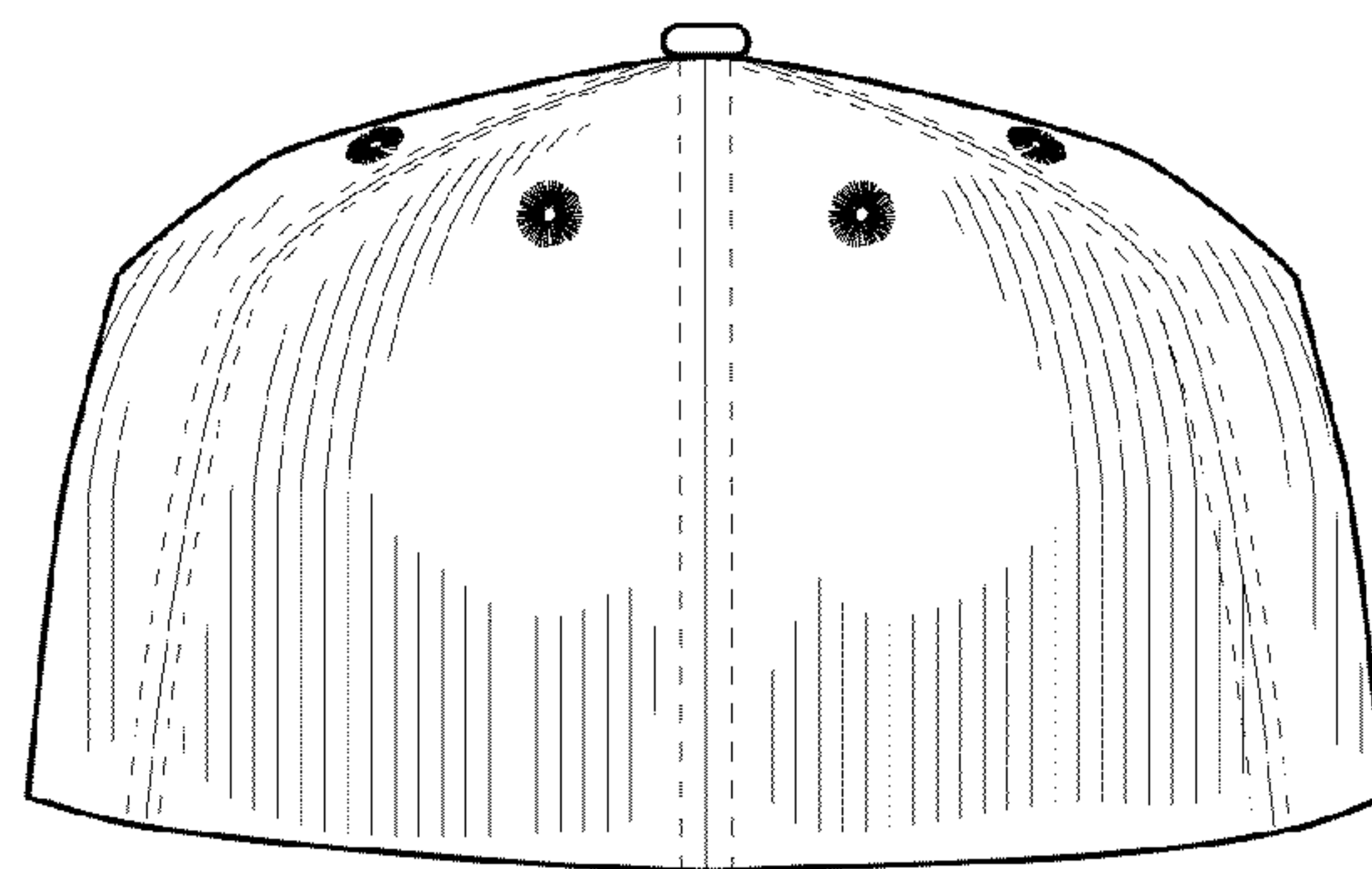


FIG. 9

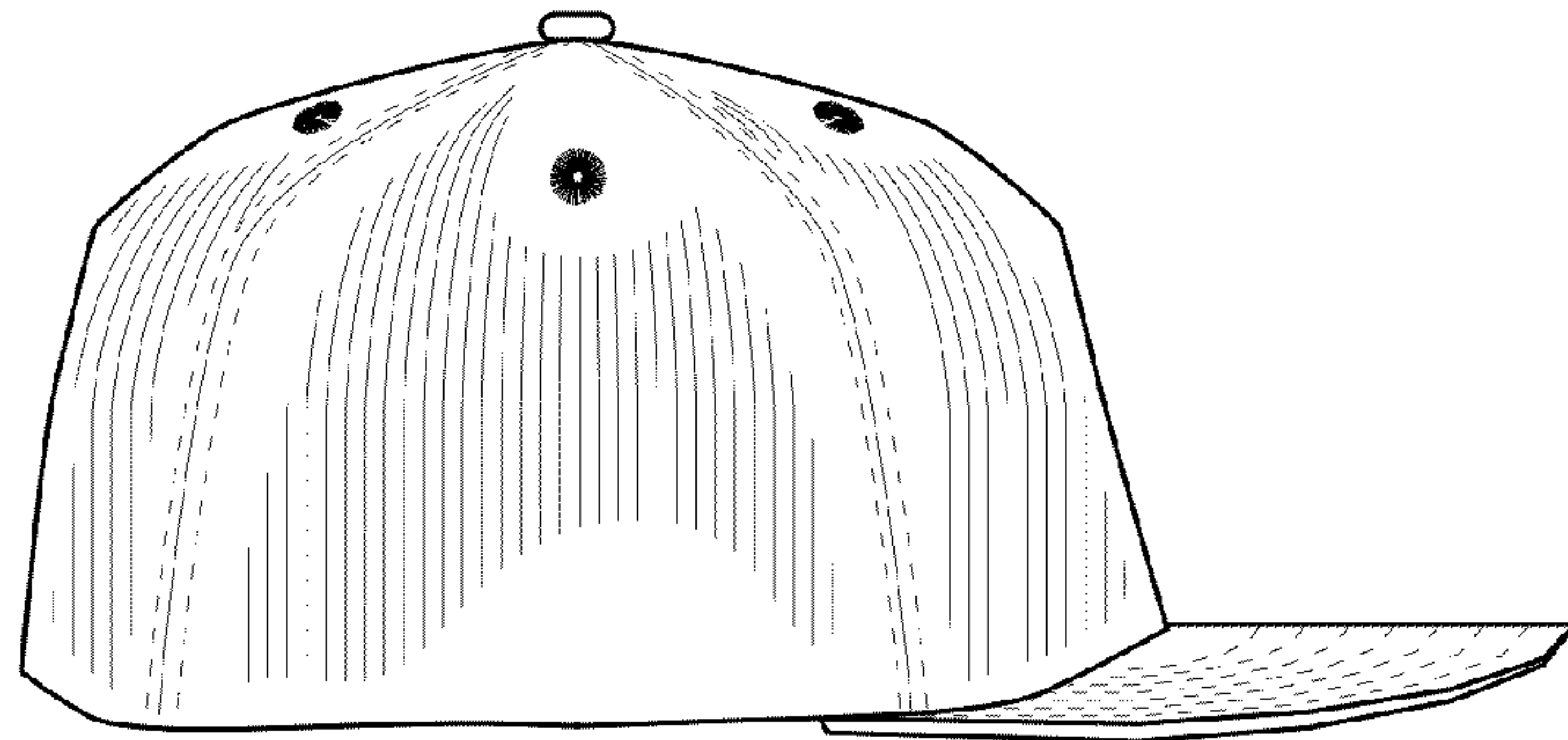


FIG. 10

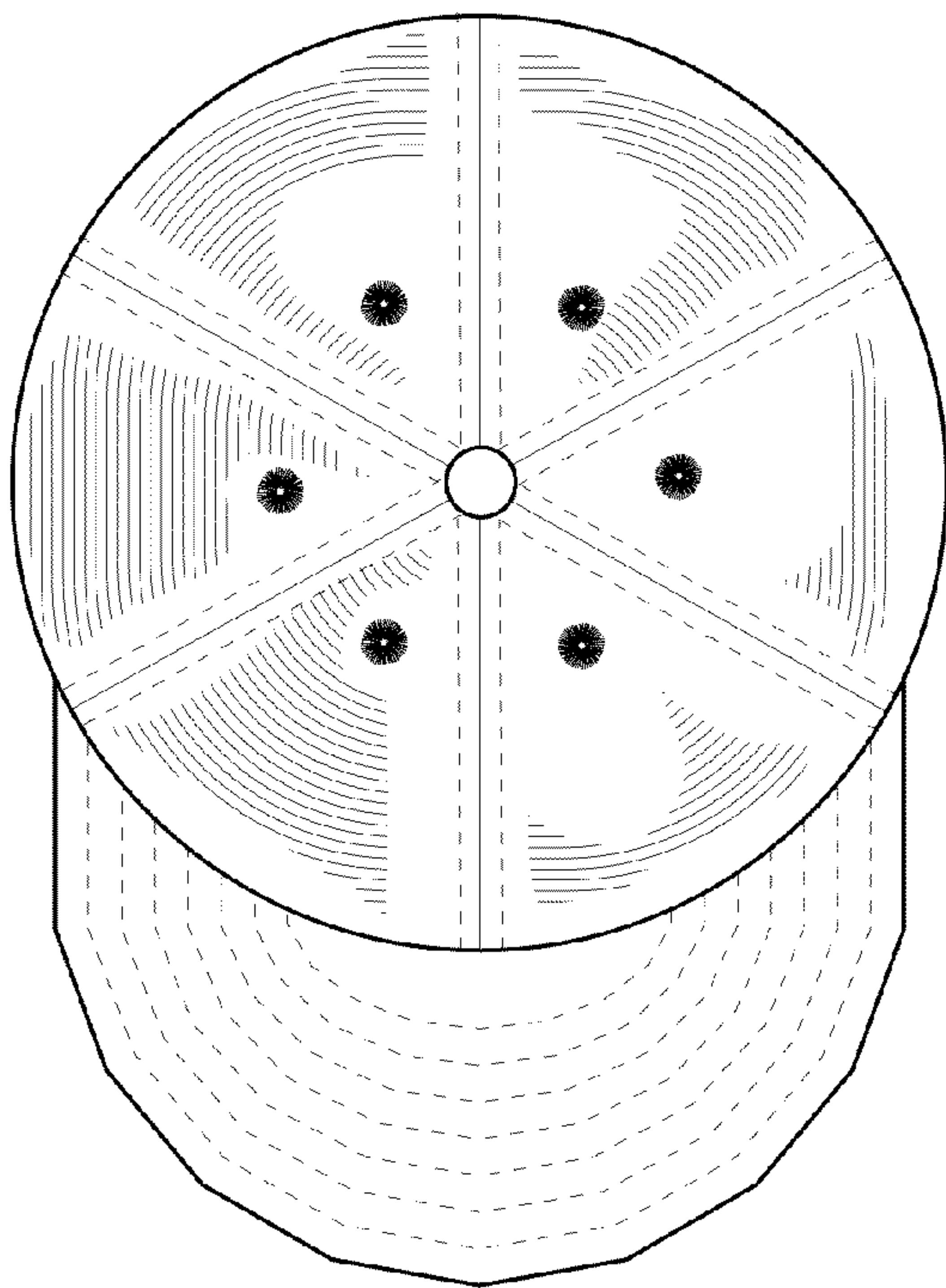


FIG. 11

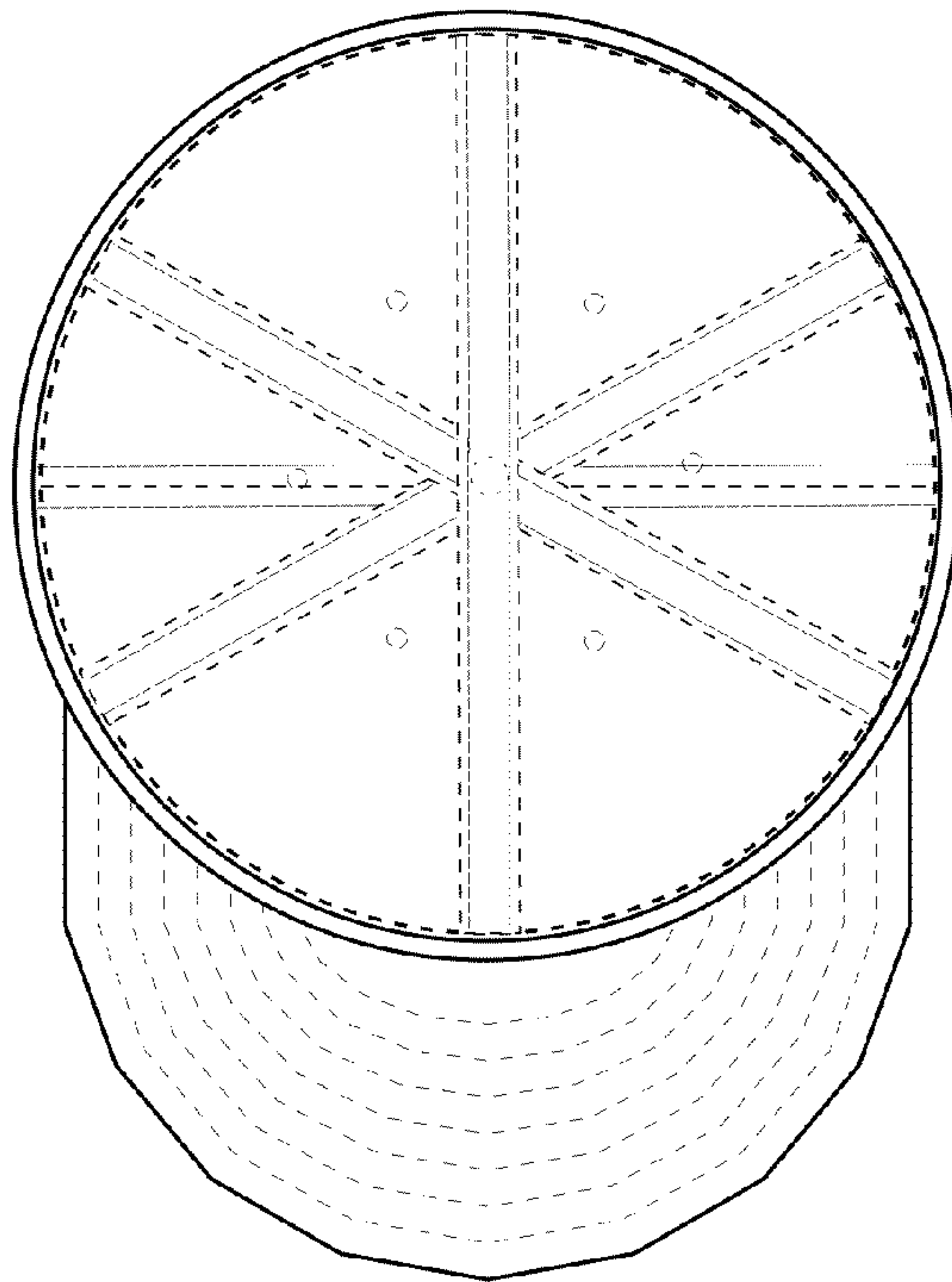


FIG. 12

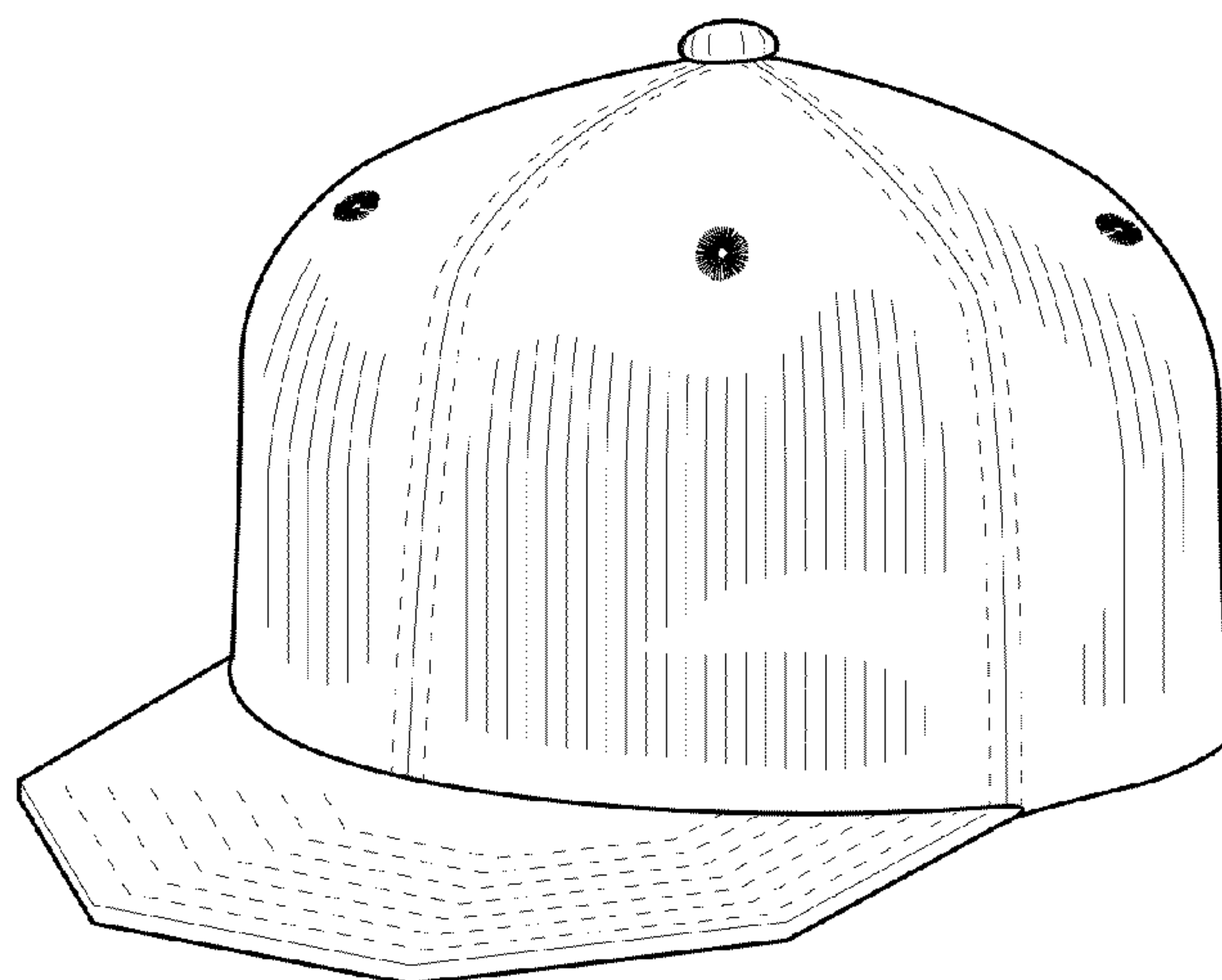


FIG. 13

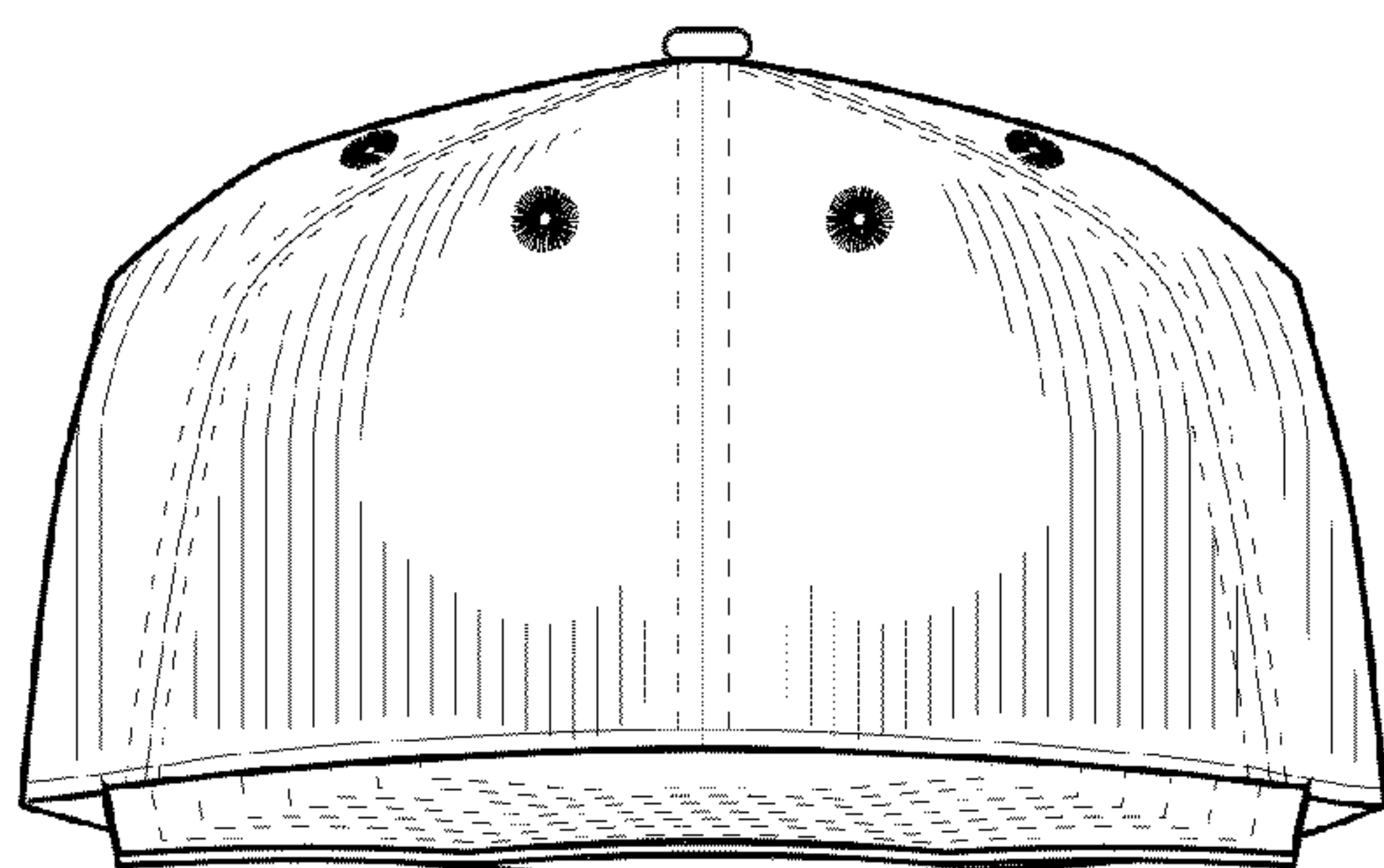


FIG. 14

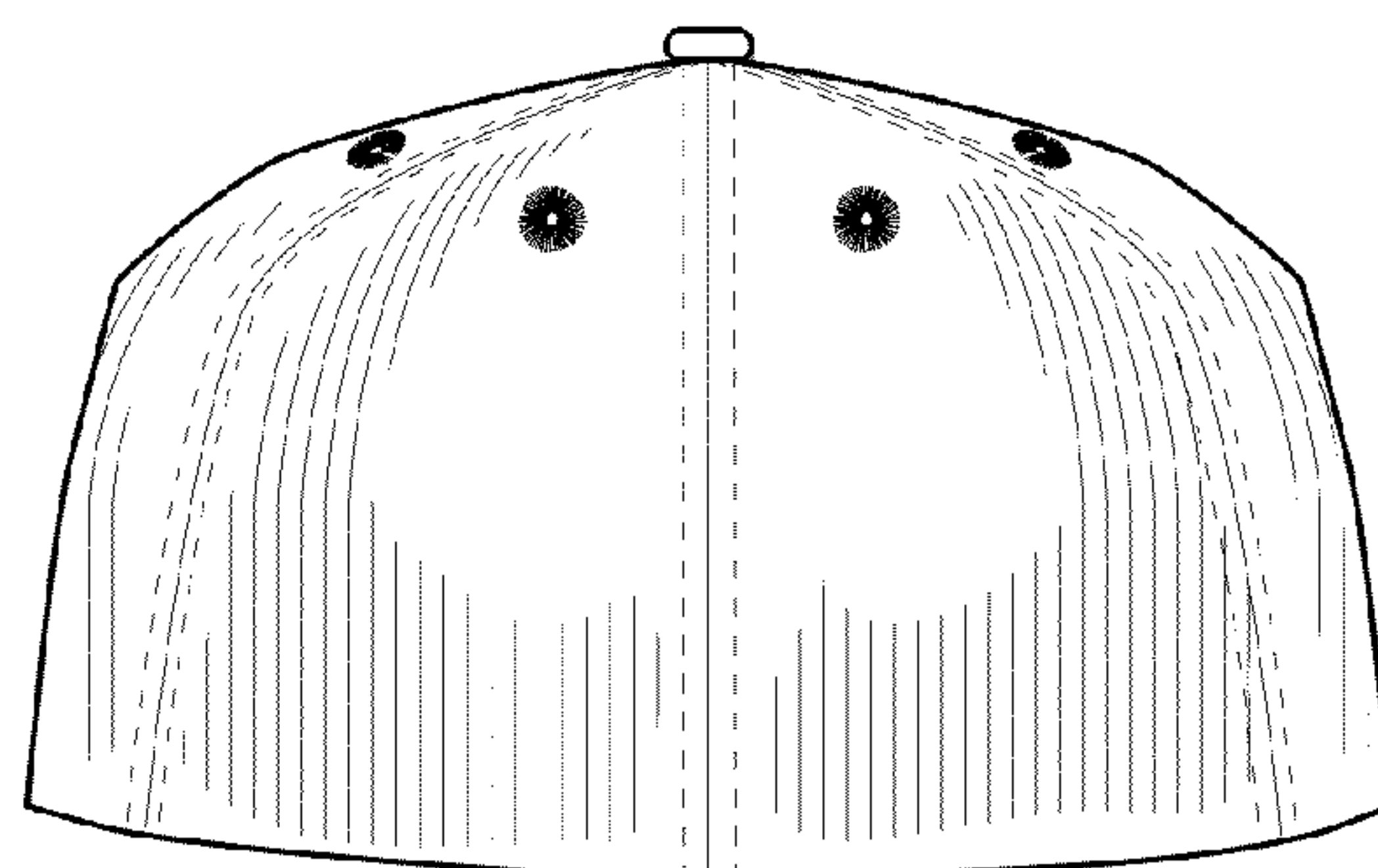


FIG. 15



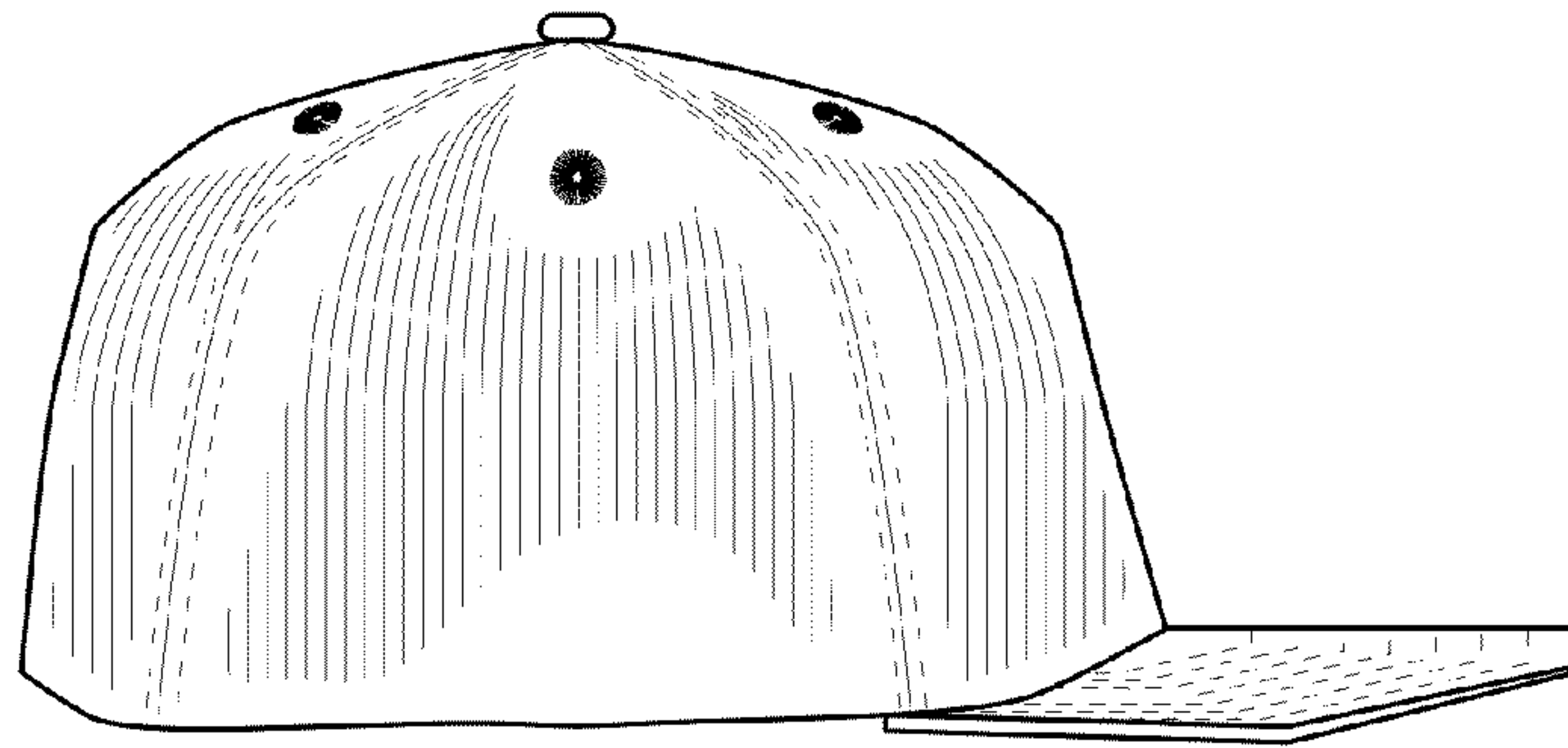


FIG. 16

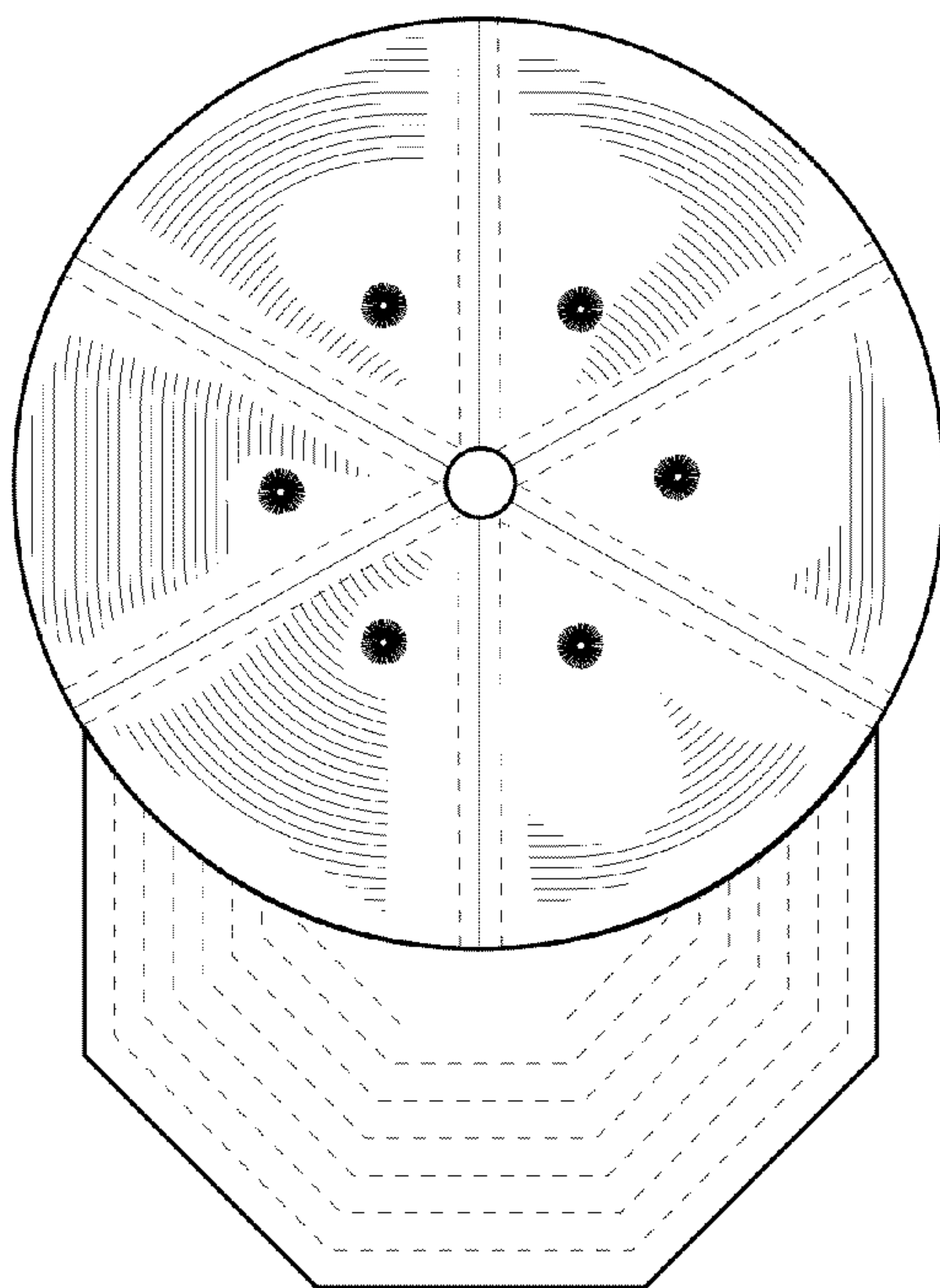


FIG. 17

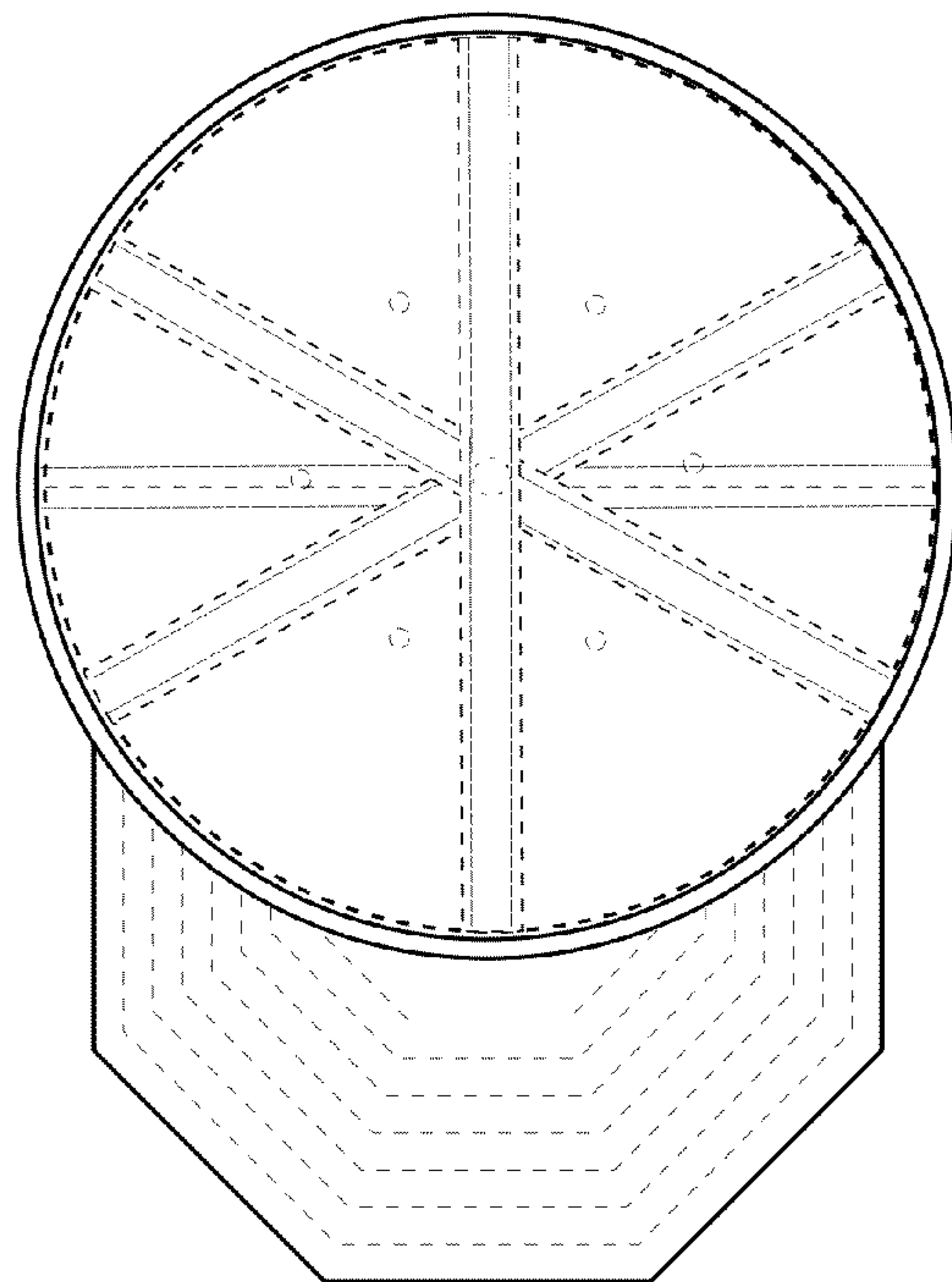


FIG. 18