



US00D712634S

(12) **United States Design Patent**
Rivera

(10) **Patent No.:** **US D712,634 S**
(45) **Date of Patent:** **** Sep. 9, 2014**

- (54) **CAP WITH INTEGRATED FAN**
- (71) Applicant: **Pedro J. Rivera**, West New York, NJ
(US)
- (72) Inventor: **Pedro J. Rivera**, West New York, NJ
(US)
- (**) Term: **14 Years**
- (21) Appl. No.: **29/472,371**
- (22) Filed: **Nov. 12, 2013**
- (51) **LOC (10) Cl.** **02-03**
- (52) **U.S. Cl.**
USPC **D2/866; D2/888**
- (58) **Field of Classification Search**
CPC A42C 5/02; A42B 3/28
USPC D2/865, 866, 869, 870, 873, 878, 883,
D2/886, 887, 888, 890, 892, 893;
D29/102, 103, 104, 105, 106, 107;
2/171, 171.3, 175.1, 175.2, 175.3,
2/175.4, 175.5, 200.1, 200.2, 204, 209.13
See application file for complete search history.

| | | | | | | |
|--------------|----|---|---------|-------------------|-------|------------|
| D171,754 | S | * | 3/1954 | Endelson | | D2/872 |
| 3,391,407 | A | | 7/1968 | Waters | | |
| D225,697 | S | * | 1/1973 | Peham | | D2/888 |
| 4,238,857 | A | | 12/1980 | Waters | | |
| D275,334 | S | | 9/1984 | Pullin | | |
| 4,546,496 | A | | 10/1985 | Lewis | | |
| 4,744,106 | A | * | 5/1988 | Wang | | 2/7 |
| 4,893,356 | A | * | 1/1990 | Waters | | 2/171.3 |
| 5,085,231 | A | * | 2/1992 | Johnson | | 131/329 |
| 5,425,620 | A | | 6/1995 | Stroud | | |
| 5,887,281 | A | * | 3/1999 | Green et al. | | 2/171.3 |
| D411,756 | S | * | 7/1999 | Land | | D2/866 |
| 6,122,773 | A | | 9/2000 | Katz | | |
| 6,760,925 | B1 | | 7/2004 | Maxwell | | |
| 7,357,135 | B2 | * | 4/2008 | Cunningham et al. | ... | 128/201.22 |
| 7,393,224 | B2 | | 7/2008 | Milan | | |
| D612,133 | S | * | 3/2010 | Hermann, II | | D2/866 |
| D638,205 | S | * | 5/2011 | Castillo | | D2/866 |
| 8,136,169 | B2 | * | 3/2012 | Taylor | | 2/171.3 |
| 8,196,224 | B2 | * | 6/2012 | Manzella et al. | | 2/171.3 |
| D670,891 | S | * | 11/2012 | Bayley | | D2/866 |
| 2008/0060117 | A1 | * | 3/2008 | Timms | | 2/171 |

* cited by examiner

Primary Examiner — Karen E Eldridge Powers

(57) **CLAIM**
I claim the ornamental design for a cap with integrated fan, as shown and described.

(56) **References Cited**

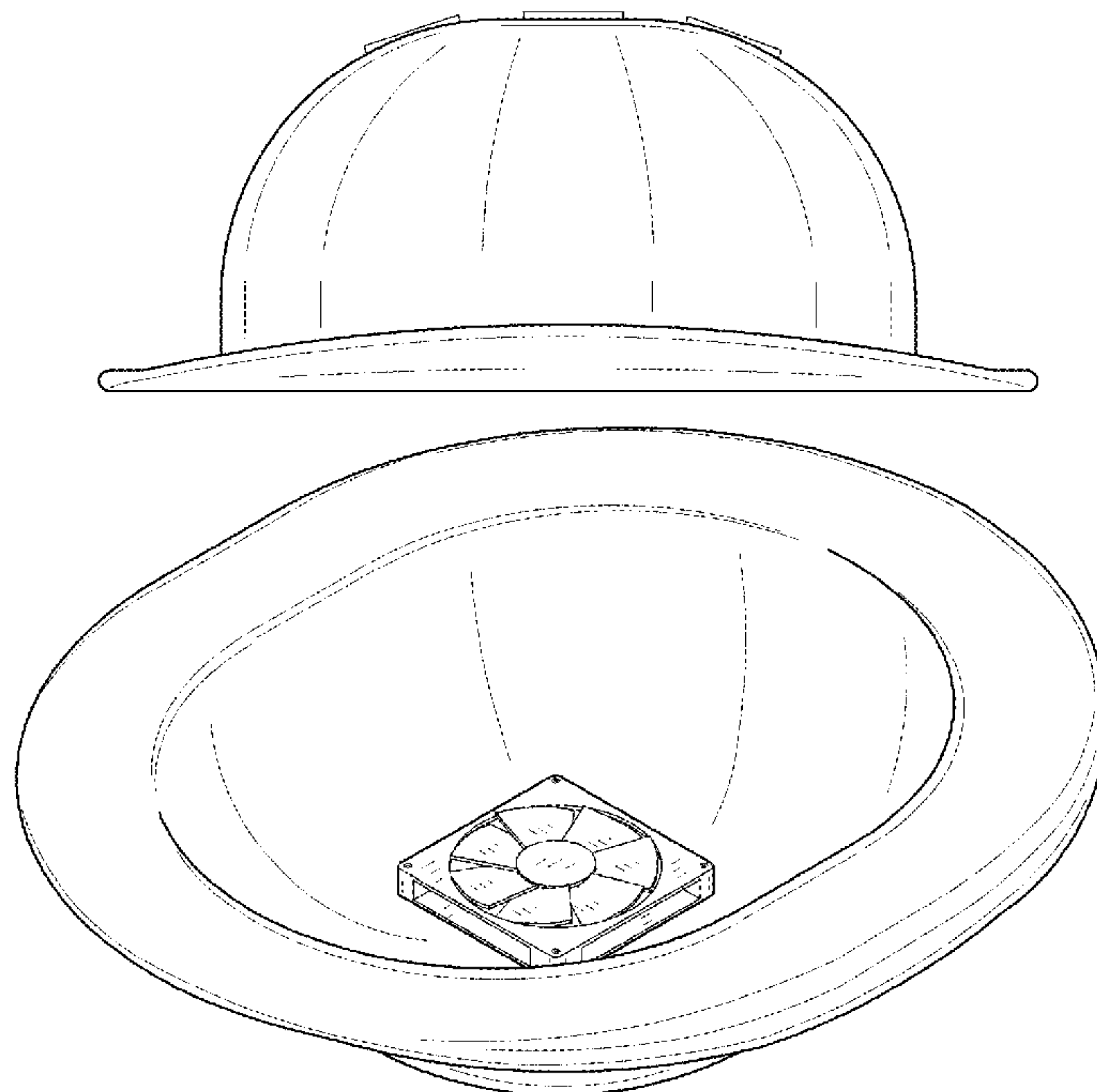
U.S. PATENT DOCUMENTS

| | | | | | | |
|-----------|---|---|---------|----------------|-------|---------|
| 74,392 | A | * | 2/1868 | Mallory | | 2/175.5 |
| 238,035 | A | * | 2/1881 | Eickemeyer | | 2/181 |
| 327,354 | A | * | 9/1885 | Thomas | | 2/175.2 |
| 370,963 | A | * | 10/1887 | Materne et al. | | 2/175.5 |
| 654,432 | A | * | 7/1900 | Borrow et al. | | 2/182.7 |
| 765,499 | A | * | 7/1904 | Martin | | 2/171.4 |
| 870,350 | A | * | 11/1907 | Eliel | | 2/171.7 |
| 917,873 | A | * | 4/1909 | Johnson | | 2/181.8 |
| 1,039,605 | A | * | 9/1912 | Smith et al. | | 2/182.5 |

DESCRIPTION

FIG. 1 is a side elevation view of the cap with integrated fan. FIG. 2 is a front elevation view of the claimed design. FIG. 3 is a top plan view of the claimed design. FIG. 4 is a bottom plan view of the claimed design; and, FIG. 5 is a bottom, perspective view of the claimed design.

1 Claim, 3 Drawing Sheets



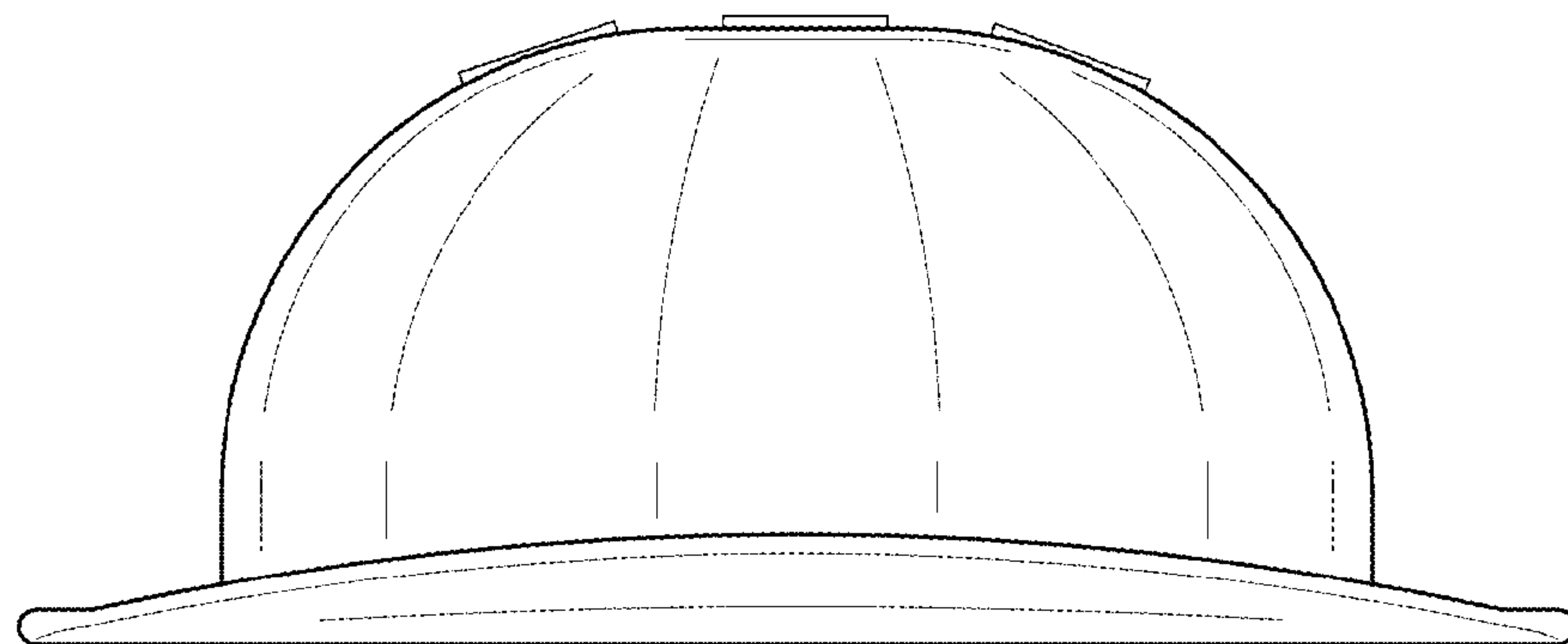


FIG. 1

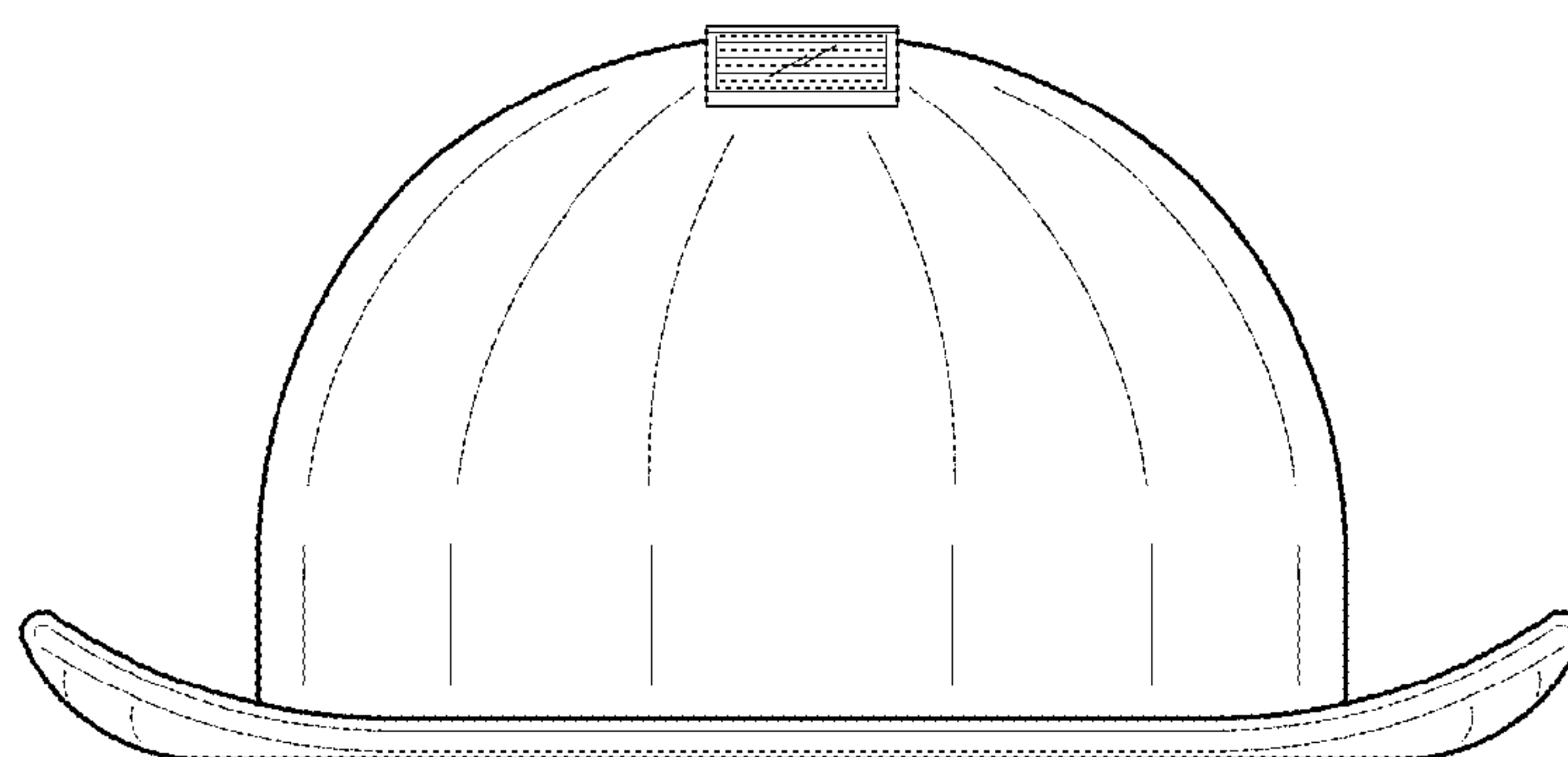


FIG. 2

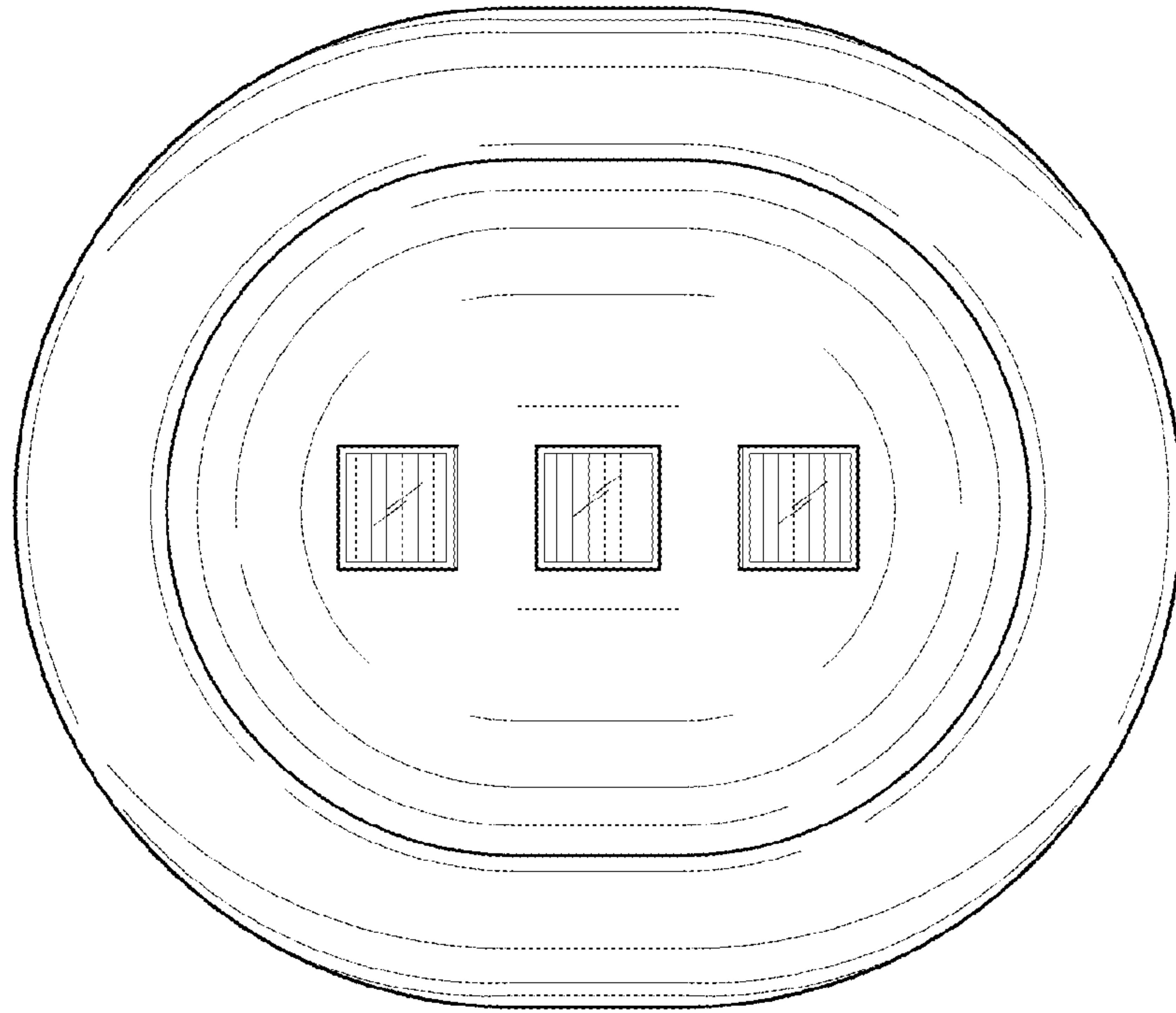


FIG. 3

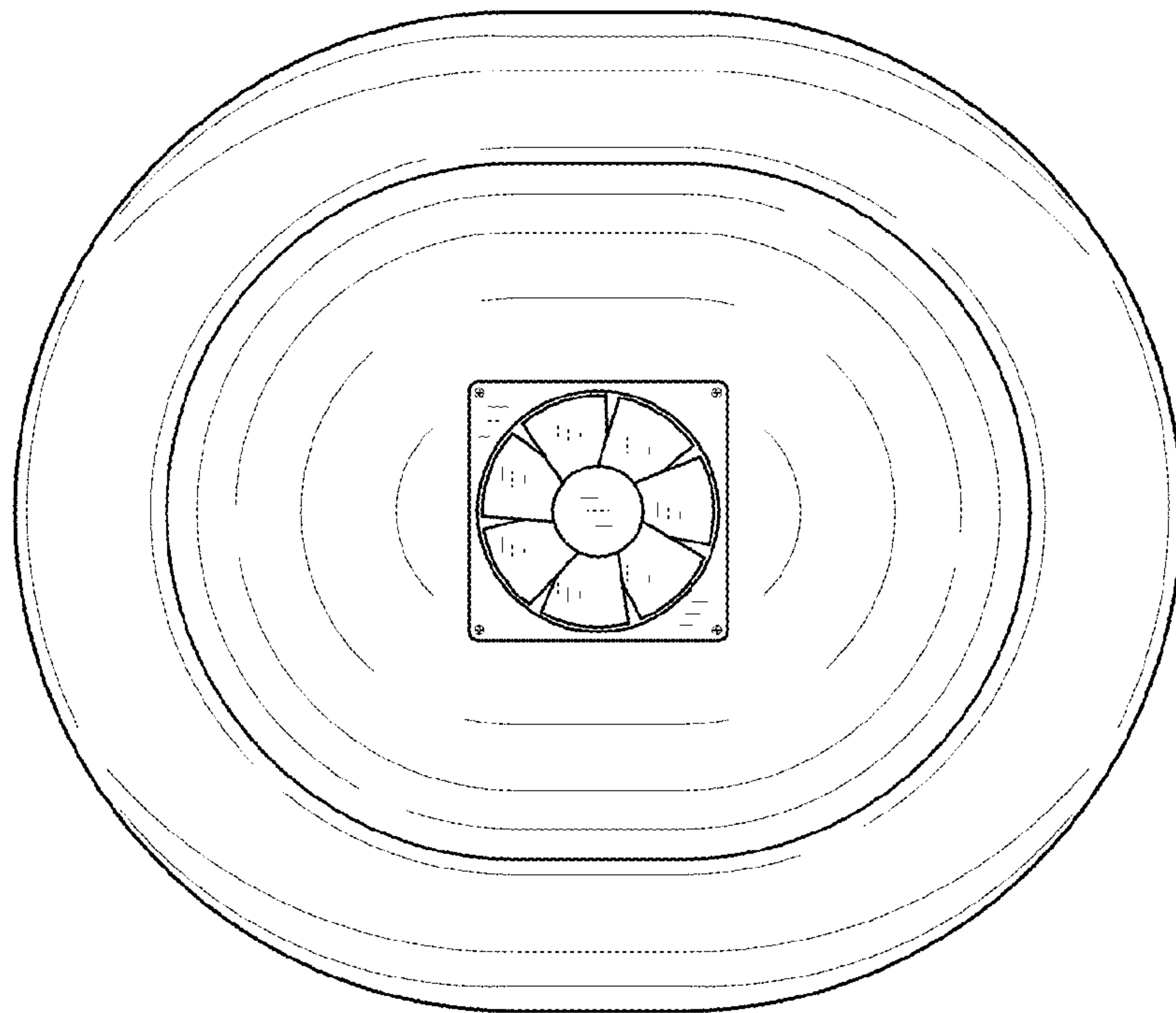


FIG. 4

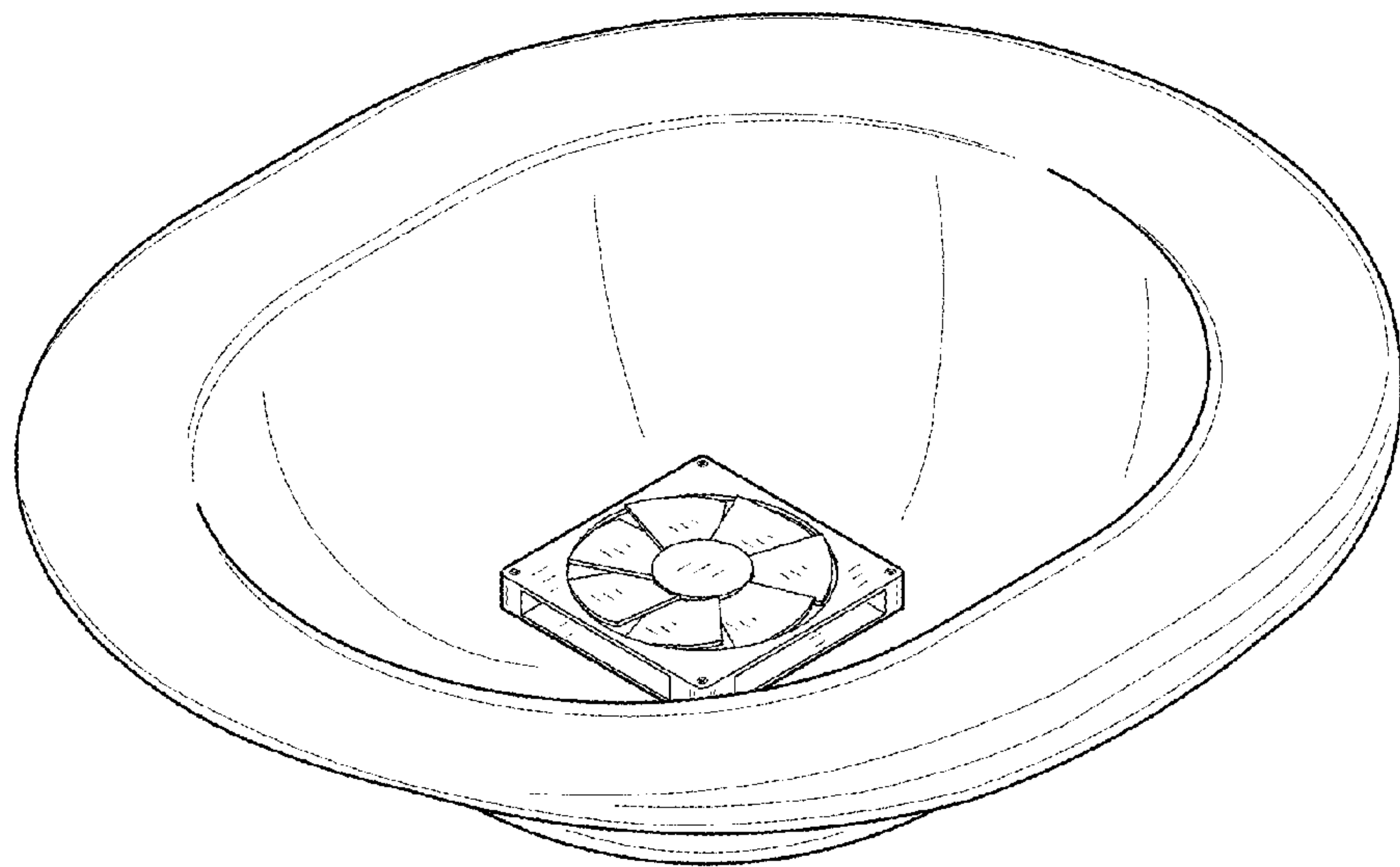


FIG. 5