

US00D712625S

(12) **United States Design Patent**
Vasquez

(10) **Patent No.:** **US D712,625 S**

(45) **Date of Patent:** **** Sep. 9, 2014**

(54) **COMBINATION SPORTS TOWEL AND BELT**

(71) Applicant: **Gloria Vasquez**, Highland, CA (US)

(72) Inventor: **Gloria Vasquez**, Highland, CA (US)

(**) Term: **14 Years**

(21) Appl. No.: **29/465,012**

(22) Filed: **Aug. 22, 2013**

(51) **LOC (10) Cl.** **02-07**

(52) **U.S. Cl.**
USPC **D2/617**

(58) **Field of Classification Search**
CPC A41F 9/00; A41F 9/002; A45F 3/00;
A45F 5/00; A45F 5/02; A45F 5/021; A45F
5/022; A45F 3/005; A45C 1/04; A41D 15/04
USPC D2/625, 627, 629, 631-632, 634-640,
D2/860, 864; D3/215, 224, 226, 232-234;
224/268, 576-577, 674-675, 681, 901;
2/46-48, 69-70, 211, 227, 300
See application file for complete search history.

(56) **References Cited**

U.S. PATENT DOCUMENTS

367,996	A *	8/1887	Nathan	224/677
4,698,854	A	10/1987	Slimmon		
D292,542	S	11/1987	Slimmon		
4,771,478	A *	9/1988	Bisagno et al.	2/69
D302,626	S	8/1989	Robinson		
5,012,543	A *	5/1991	Lewis, Sr.	15/209.1
5,153,943	A *	10/1992	Clement	2/418
5,241,706	A *	9/1993	Netz	2/66
5,491,843	A	2/1996	Naughton		
D375,623	S *	11/1996	Pearl-Lee	D3/226
5,625,895	A *	5/1997	Sovereign	2/467
5,871,132	A *	2/1999	Hargreaves	224/576
D412,049	S	7/1999	Shelton		

6,012,168	A *	1/2000	Hutton et al.	2/114
D456,108	S	4/2002	Frederick		
6,718,554	B1 *	4/2004	Langston	2/49.1
D503,508	S *	4/2005	Hooker et al.	D2/627
D509,057	S *	9/2005	Bollig	D3/226
D617,534	S	6/2010	Vossoughi		
7,735,155	B2 *	6/2010	Kerkhoff	2/227
D619,780	S *	7/2010	Hooker et al.	D2/627
2001/0034890	A1	11/2001	Levas		
2008/0234114	A1	9/2008	McGuigan		

* cited by examiner

Primary Examiner — T. Chase Nelson

Assistant Examiner — Kathleen M Sims

(74) *Attorney, Agent, or Firm* — QuickPatents; Kevin Prince

(57) **CLAIM**

I claim the ornamental design for a combination sports towel and belt, as shown and described.

DESCRIPTION

FIG. 1 is a perspective view of a combination sports towel and belt with a pocket on the belt in a closed position showing my new design while in use;

FIG. 2 is a front elevational view thereof;

FIG. 3 is a rear elevational view thereof;

FIG. 4 is a left-side elevational view thereof;

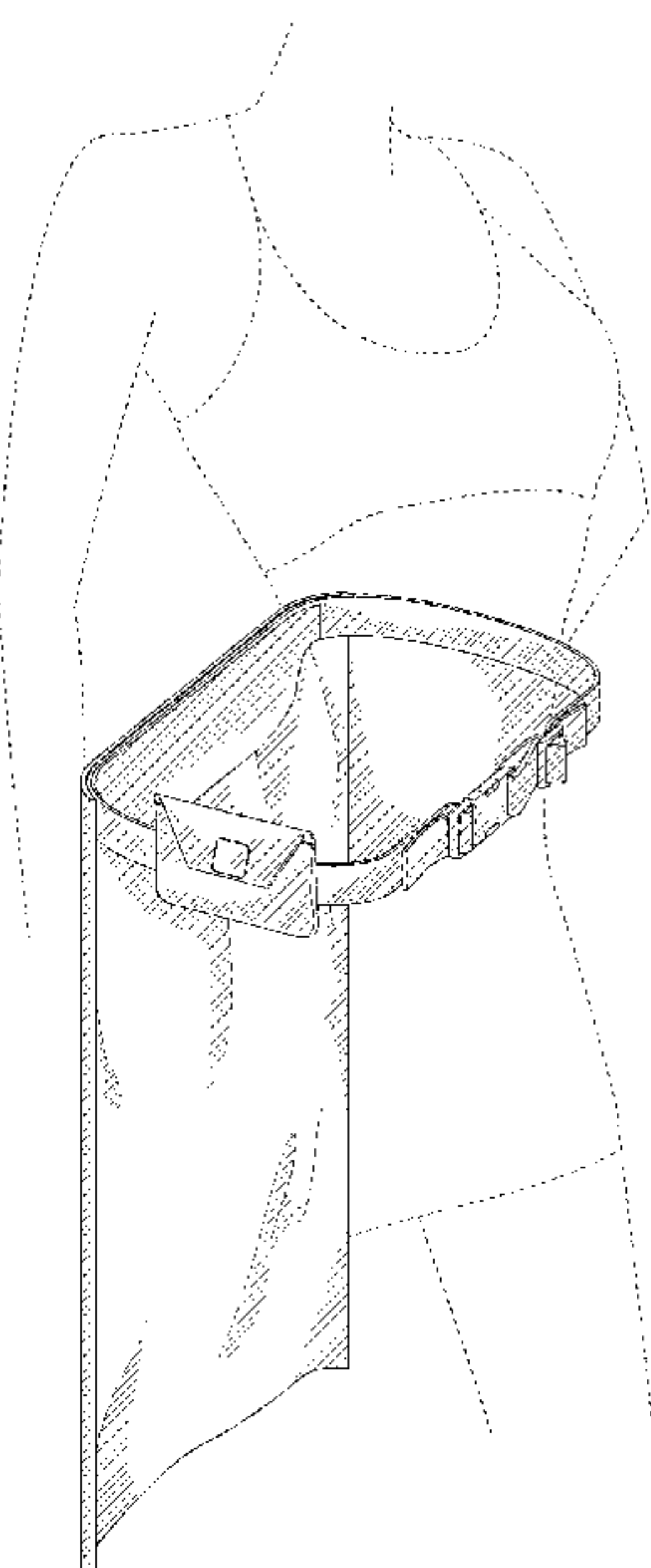
FIG. 5 is a right-side elevational view thereof;

FIG. 6 is a top plan view thereof;

FIG. 7 is a bottom plan view thereof; and,

FIG. 8 is an exploded perspective view thereof with a bracket to show assembly of parts, illustrating a towel portion and a removable pocket of the design both detached from the belt portion of the design showing the pocket in an open position. The broken lines showing a person in FIG. 1 depict environmental matter and form no part of the claimed design.

1 Claim, 4 Drawing Sheets



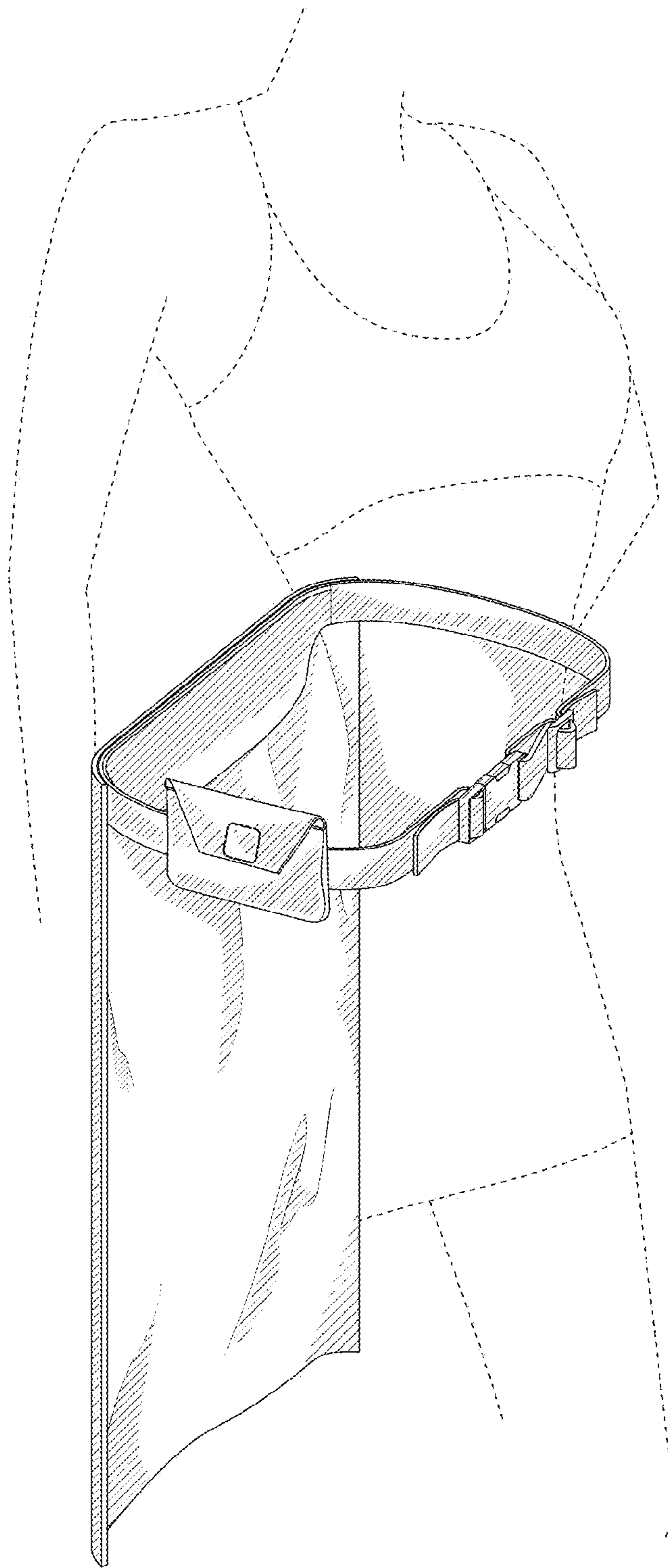


FIG. 1

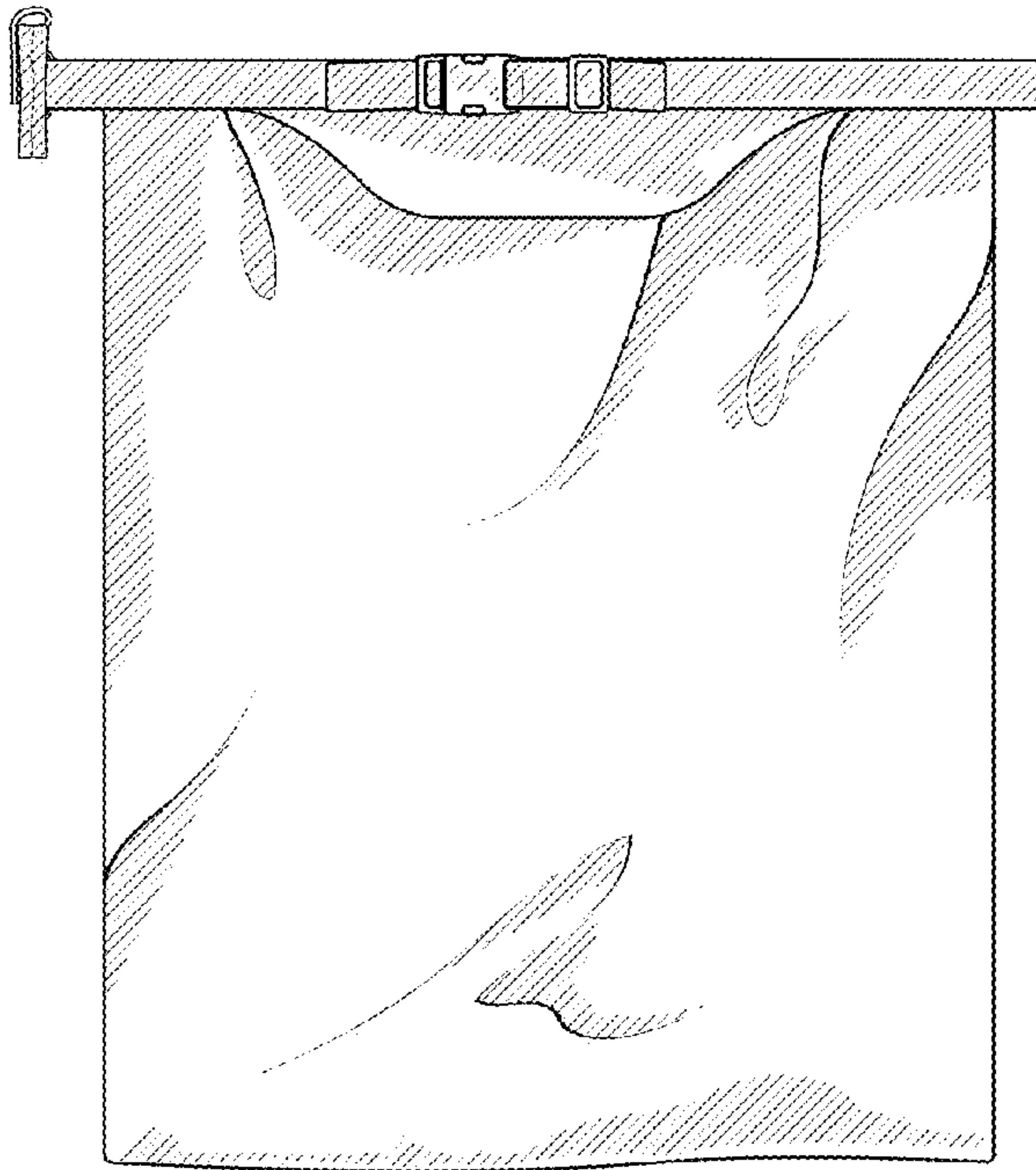


FIG. 2

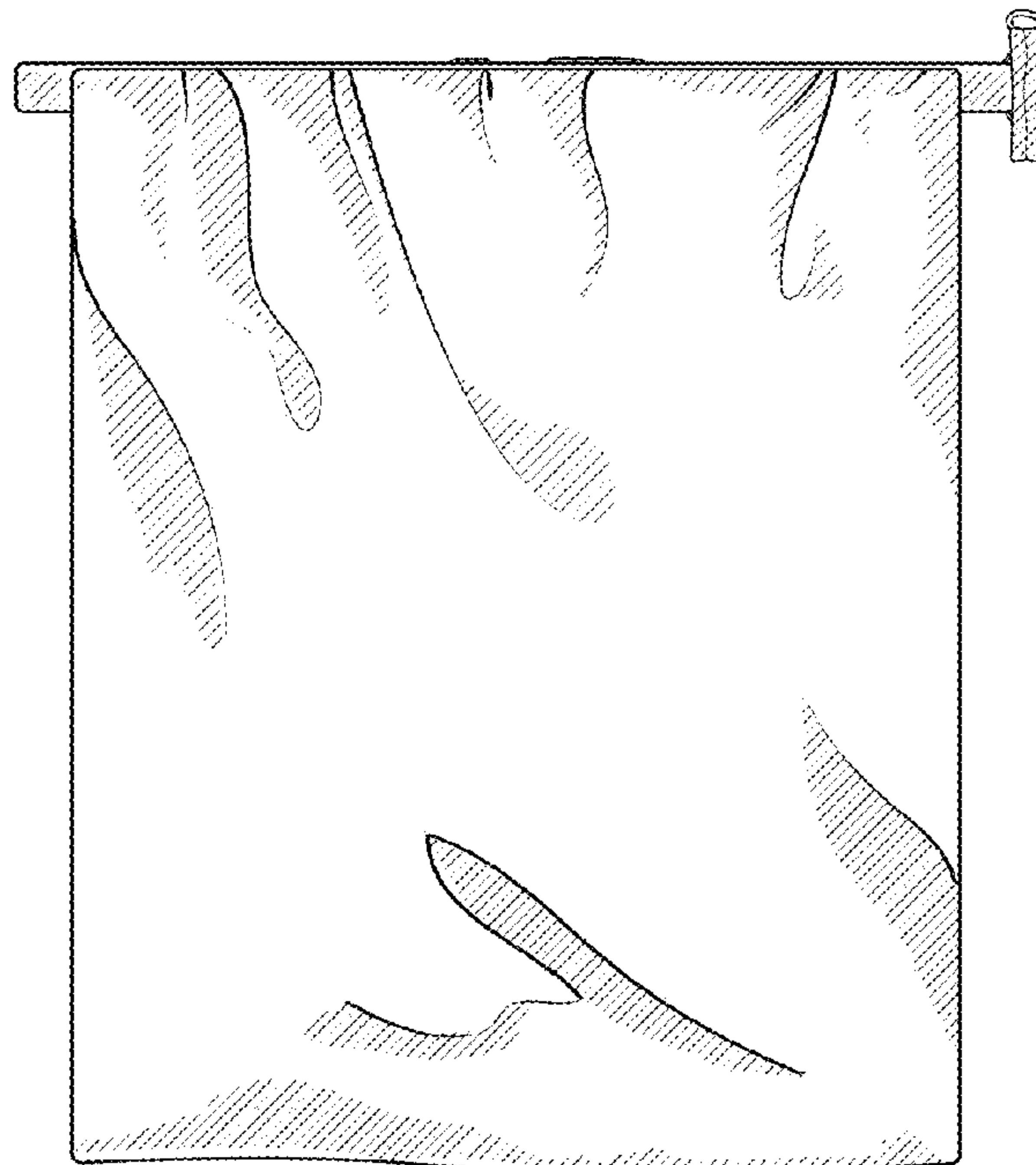


FIG. 3

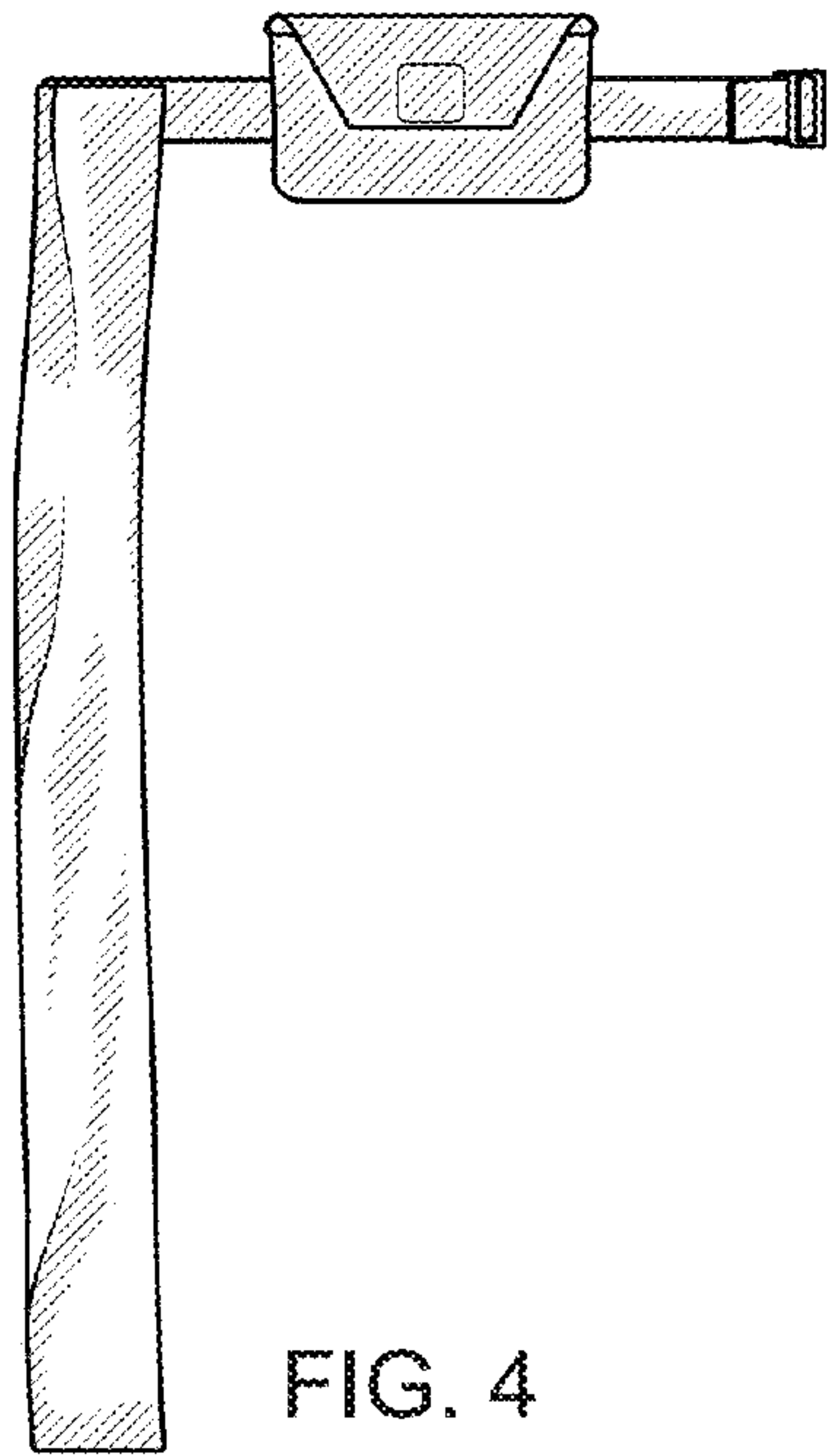


FIG. 4



FIG. 5

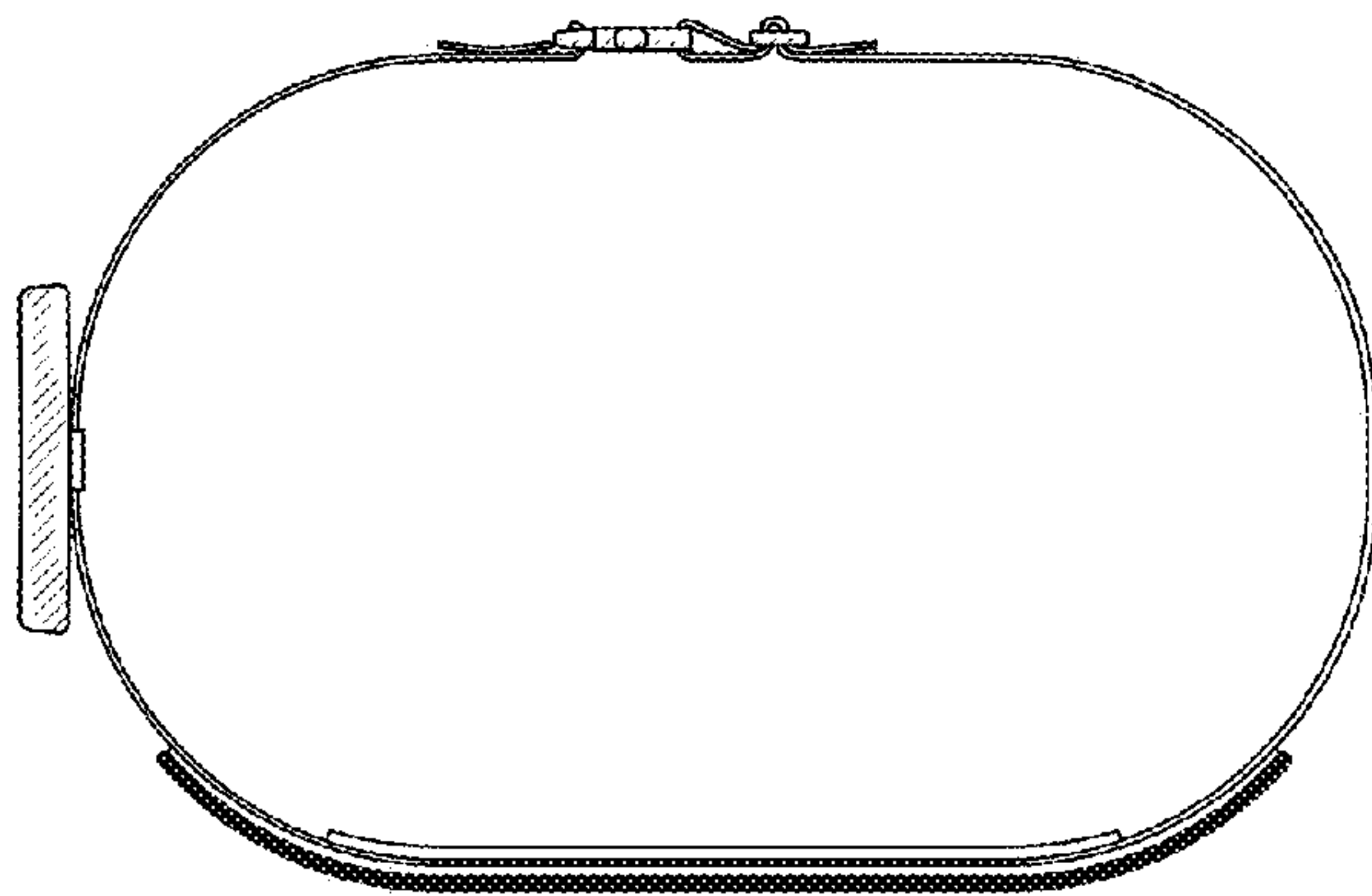
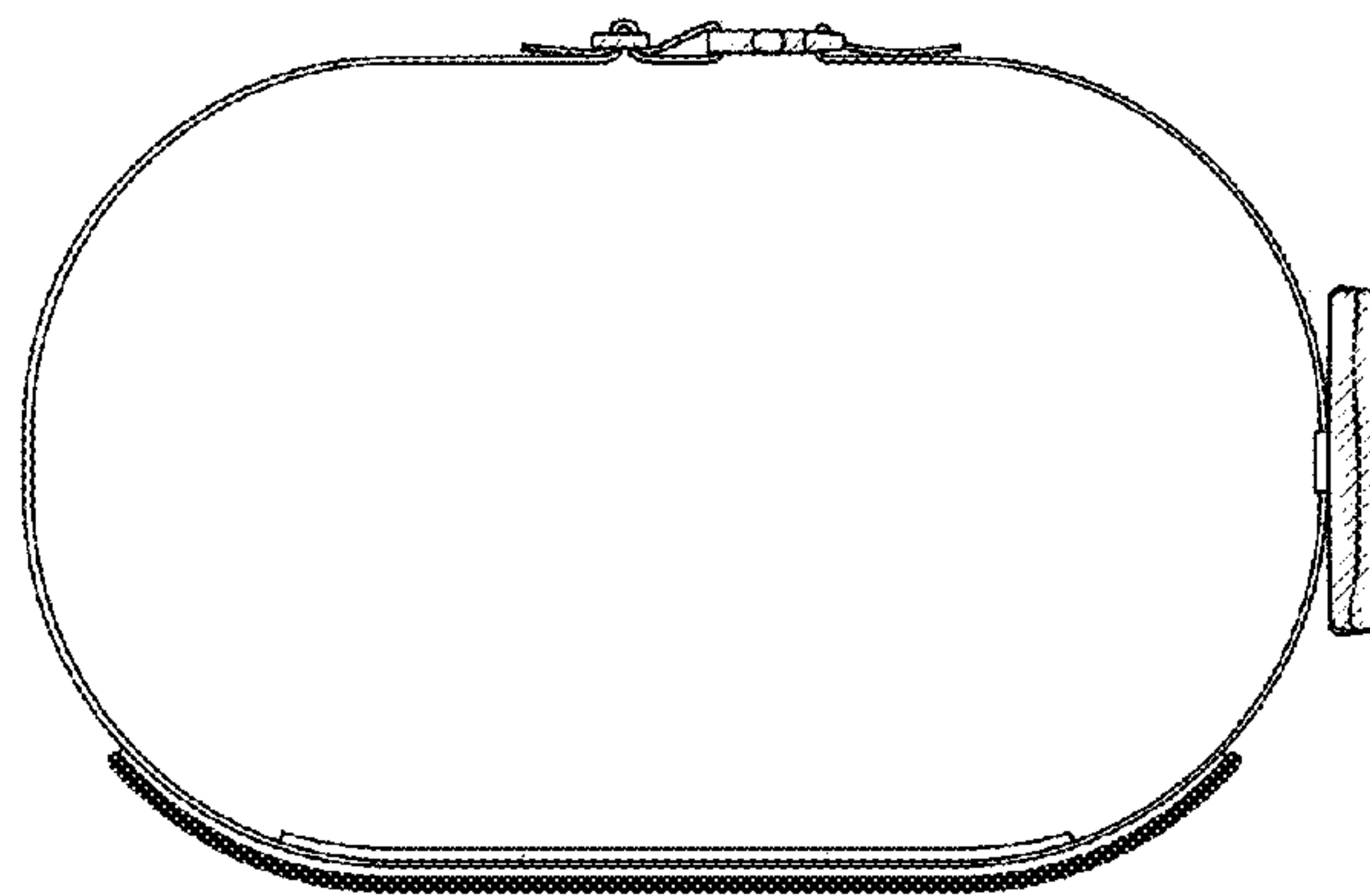


FIG. 6

FIG. 7



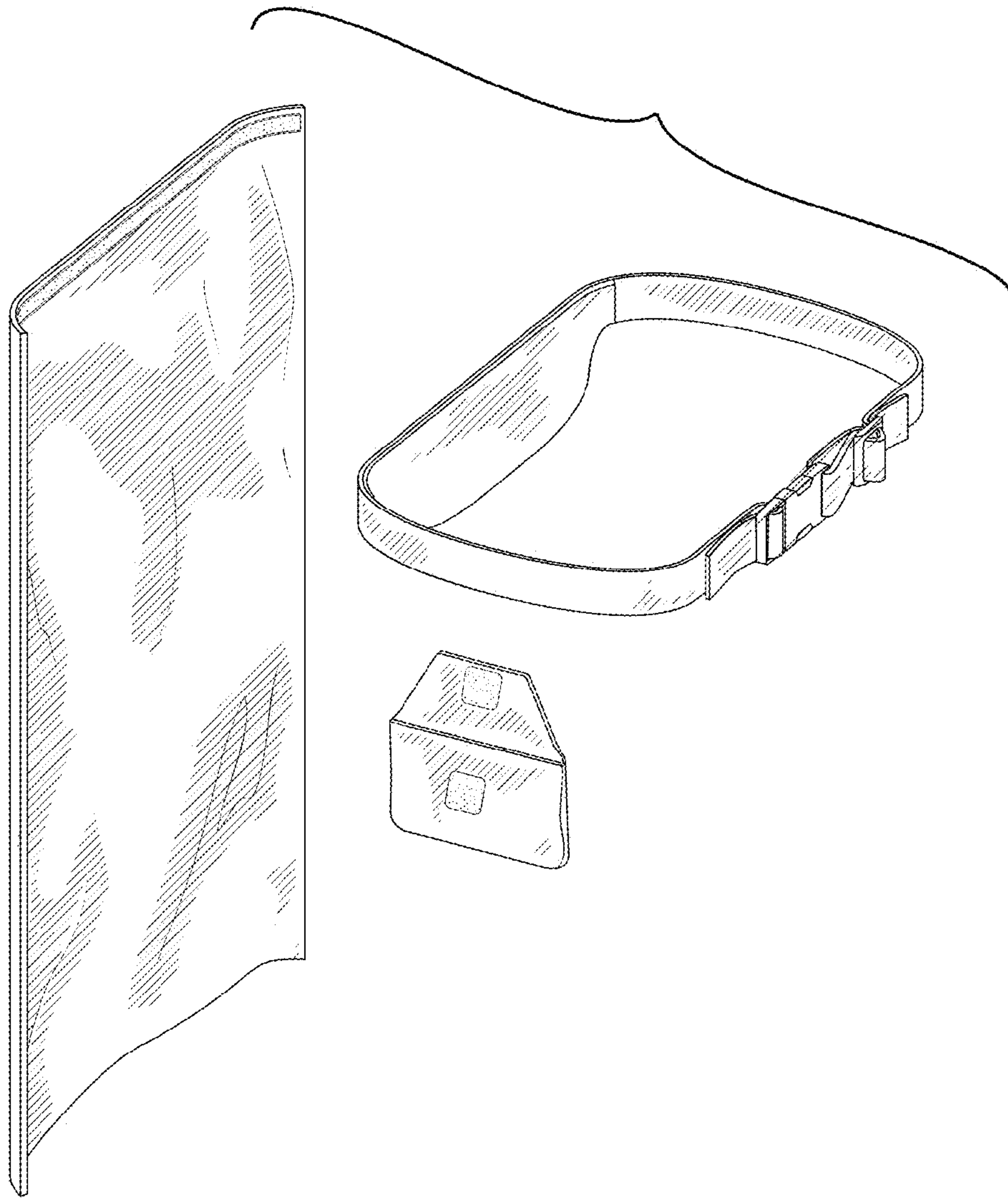


FIG. 8