



US00D712611S

(12) **United States Design Patent**
Sun Ting Kung et al.

(10) **Patent No.:** **US D712,611 S**

(45) **Date of Patent:** **** Sep. 2, 2014**

(54) **WASTE RECEPTACLE**

(56)

References Cited

(71) Applicant: **Rentokil Initial 1927 plc**, West Sussex (GB)

(72) Inventors: **Jeremy Sun Ting Kung**, Singapore (SG); **Michael Toh Chong Nam**, Singapore (SG); **Ryan Toh Kian Seng**, Singapore (SG); **Daze Lee**, Singapore (SG); **Danny Chu Wen Hing**, Singapore (SG); **Sit Wai Yong**, Singapore (SG); **Yazid Bin Ahmad**, Singapore (SG); **Chin Leong Kwek**, Singapore (SG); **Tsin Tsung Ooi**, Singapore (SG)

U.S. PATENT DOCUMENTS

D365,427 S *	12/1995	Brightbill et al.	D34/1
D482,832 S *	11/2003	Lin	D34/9
D518,266 S *	3/2006	Yang et al.	D34/9
D530,874 S *	10/2006	Lin	D34/9
D532,573 S *	11/2006	Lin	D34/9
D533,703 S *	12/2006	Lin	D34/7
D625,068 S *	10/2010	Shannon	D34/1
D627,122 S *	11/2010	Meyerhoffer	D34/1
D629,173 S *	12/2010	Liao	D34/7
D635,319 S *	3/2011	Meyerhoffer	D34/7
D644,806 S *	9/2011	Yang et al.	D34/1
D644,807 S *	9/2011	Yang et al.	D34/1
D689,255 S *	9/2013	Sun Ting Kung et al.	D34/7

* cited by examiner

(73) Assignee: **Rentokil Initial 1927 plc**, West Sussex (GB)

Primary Examiner — Cynthia Ramirez

(74) *Attorney, Agent, or Firm* — Merchant & Gould P.C.

(**) Term: **14 Years**

(57) **CLAIM**

The ornamental design for waste receptacle, as shown and described.

(21) Appl. No.: **29/437,034**

DESCRIPTION

(22) Filed: **Nov. 12, 2012**

(51) **LOC (10) Cl.** **09-09**

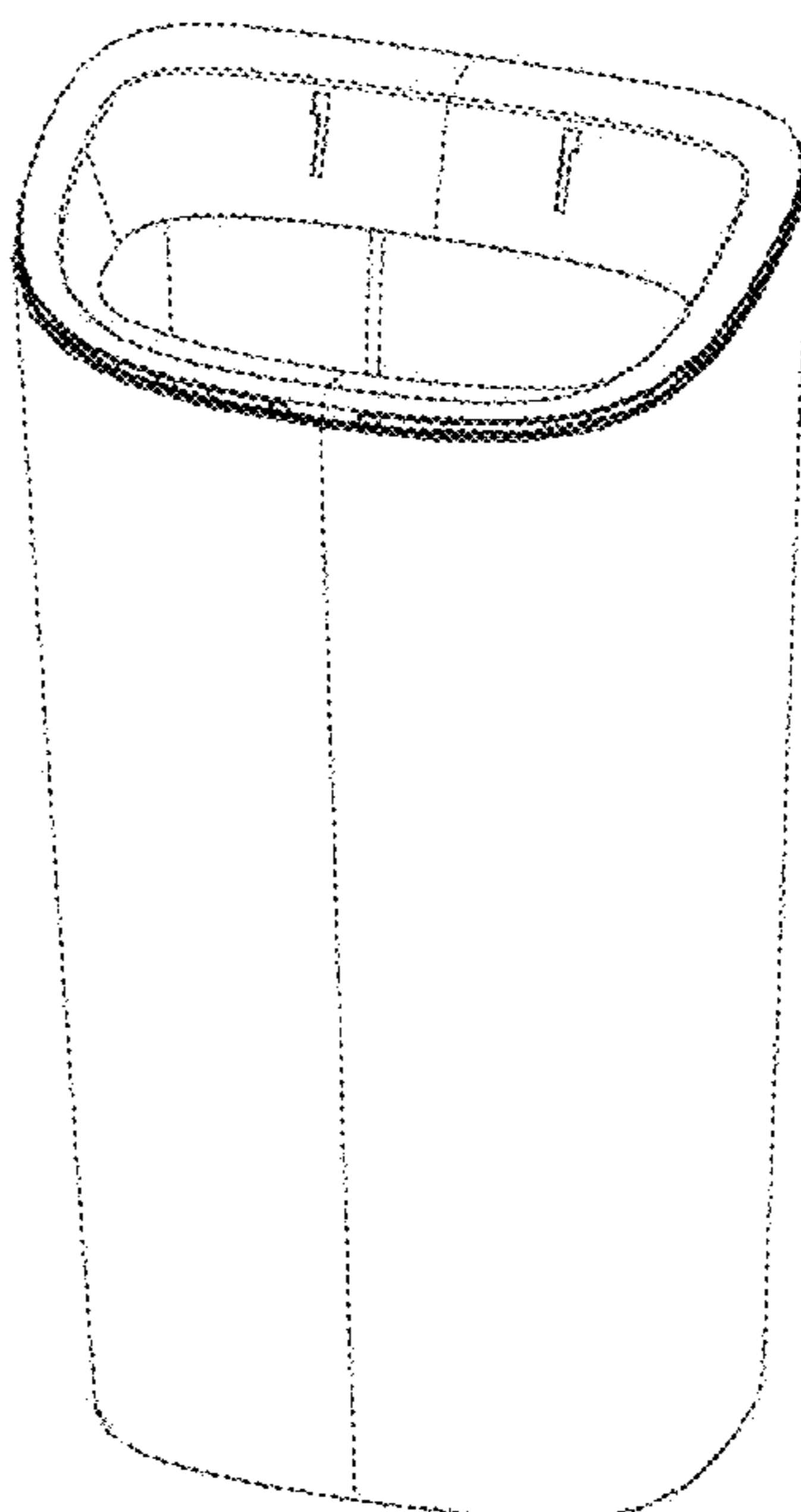
(52) **U.S. Cl.**
USPC **D34/1**

(58) **Field of Classification Search**
USPC D34/1-11; 220/908, 908.1, 911, 912,
220/913, 262, 263, 264

FIG. 1 is a perspective view of a first embodiment showing our design thereof;
FIG. 2 is a top plan view;
FIG. 3 is a left side elevational view;
FIG. 4 is a front elevational view;
FIG. 5 is a right side elevational view;
FIG. 6 is a rear elevational view; and,
FIG. 7 is a bottom plan view.

See application file for complete search history.

1 Claim, 7 Drawing Sheets



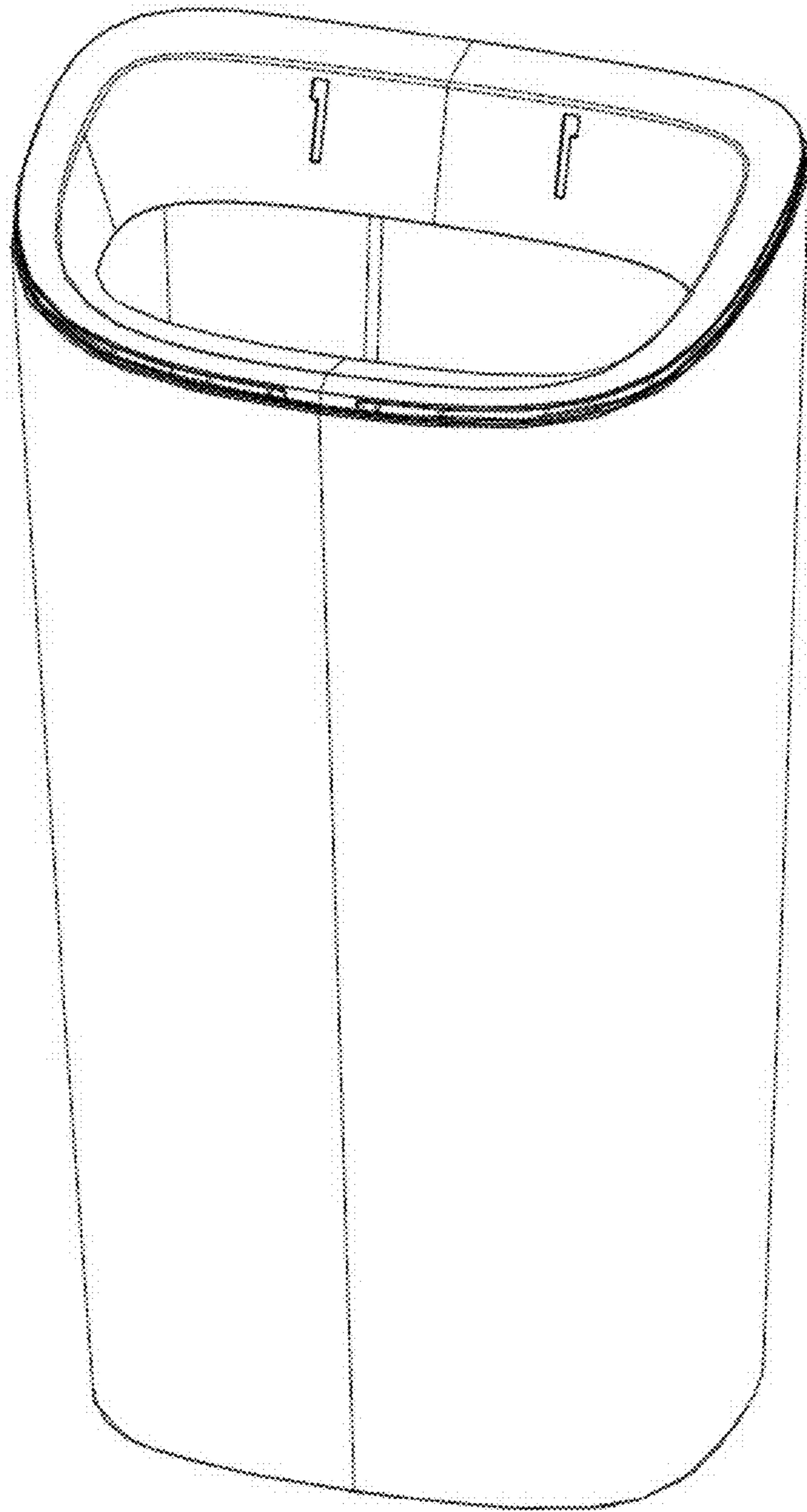


FIG. 1

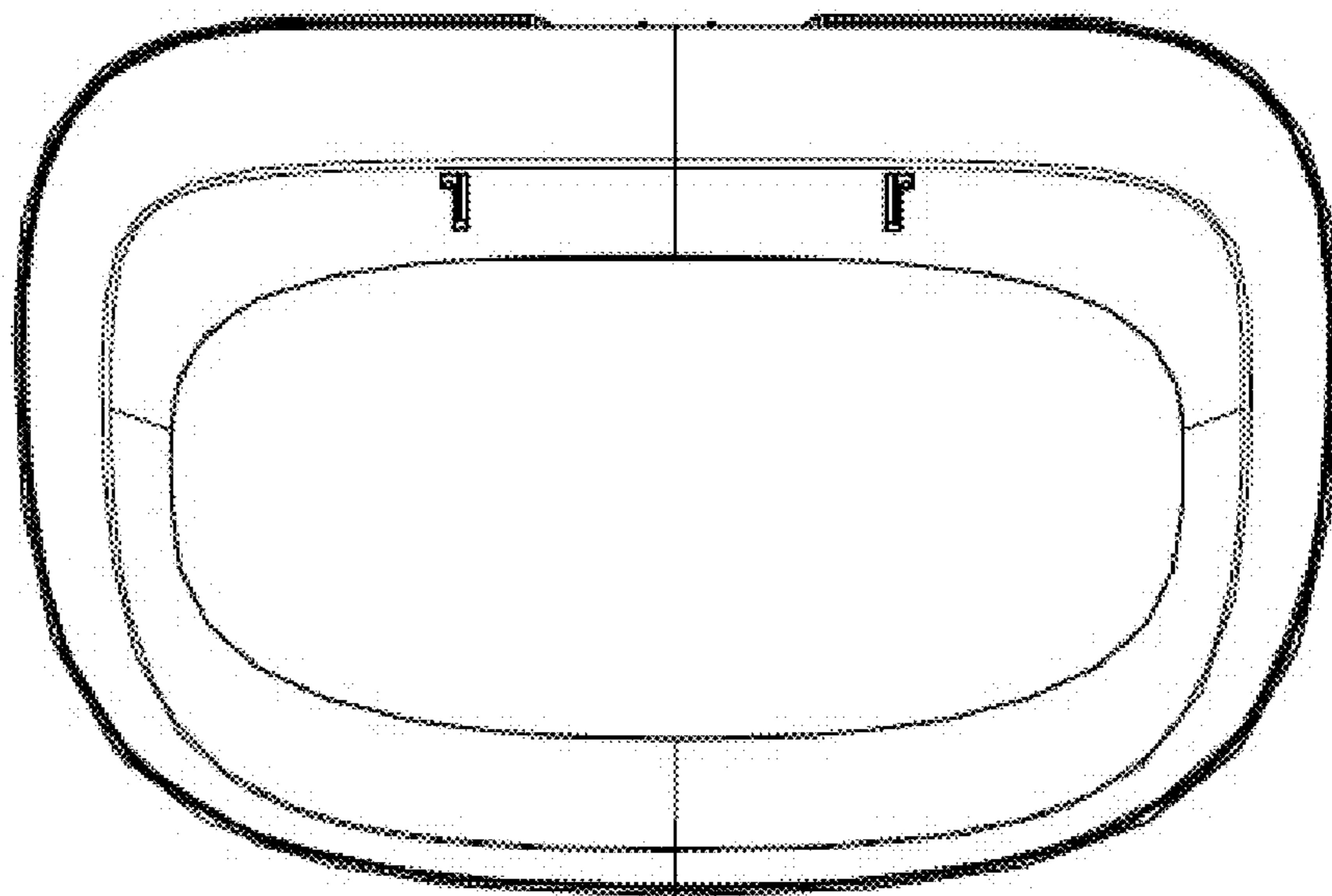


FIG. 2

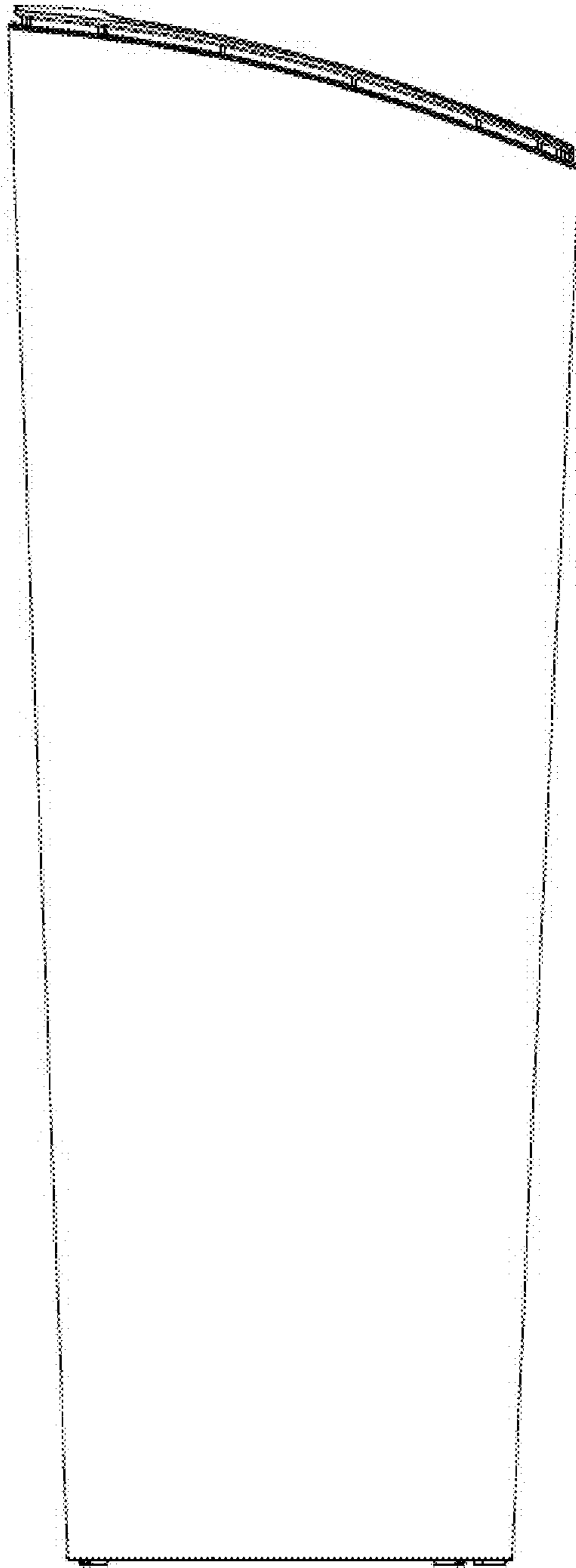


FIG. 3

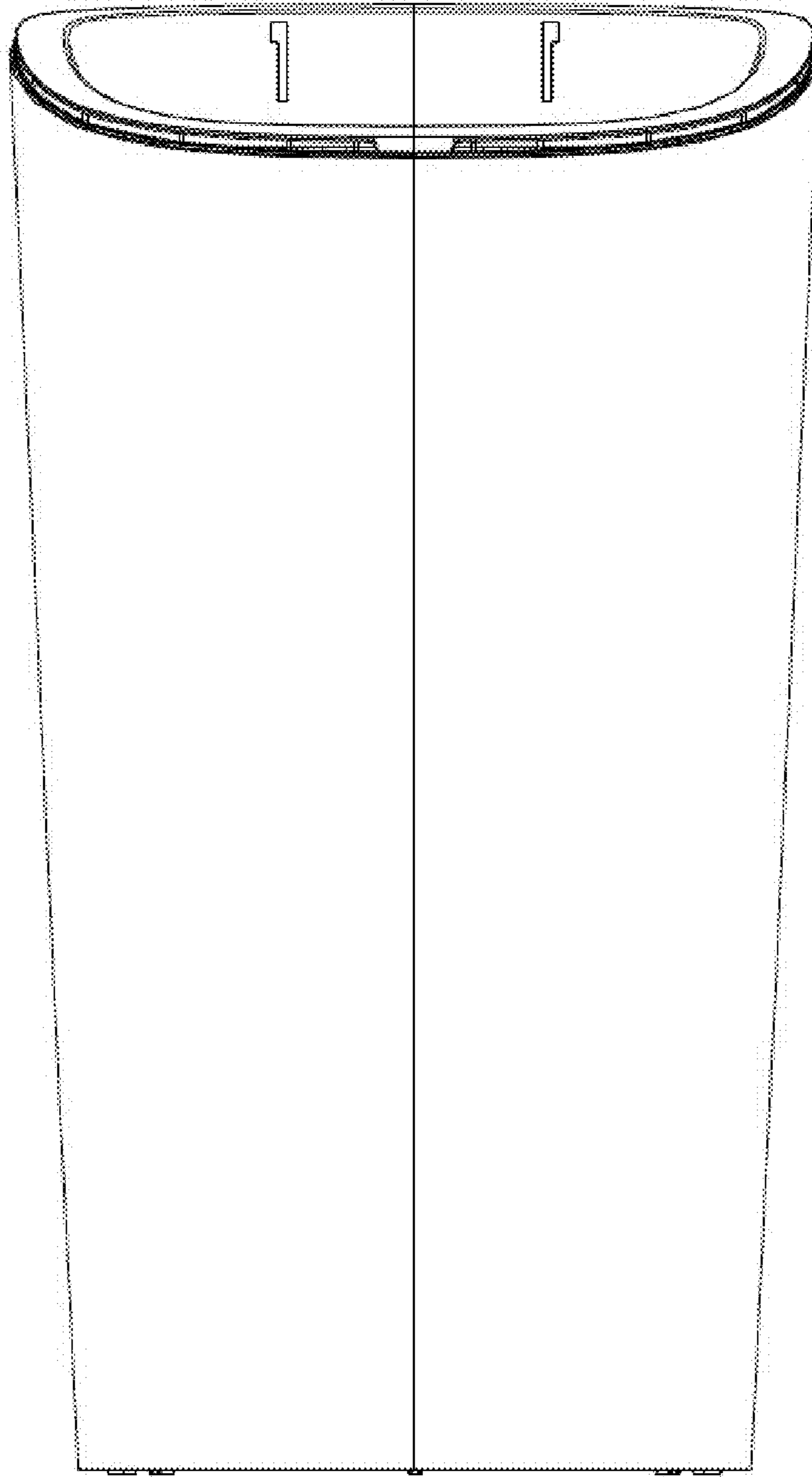


FIG. 4

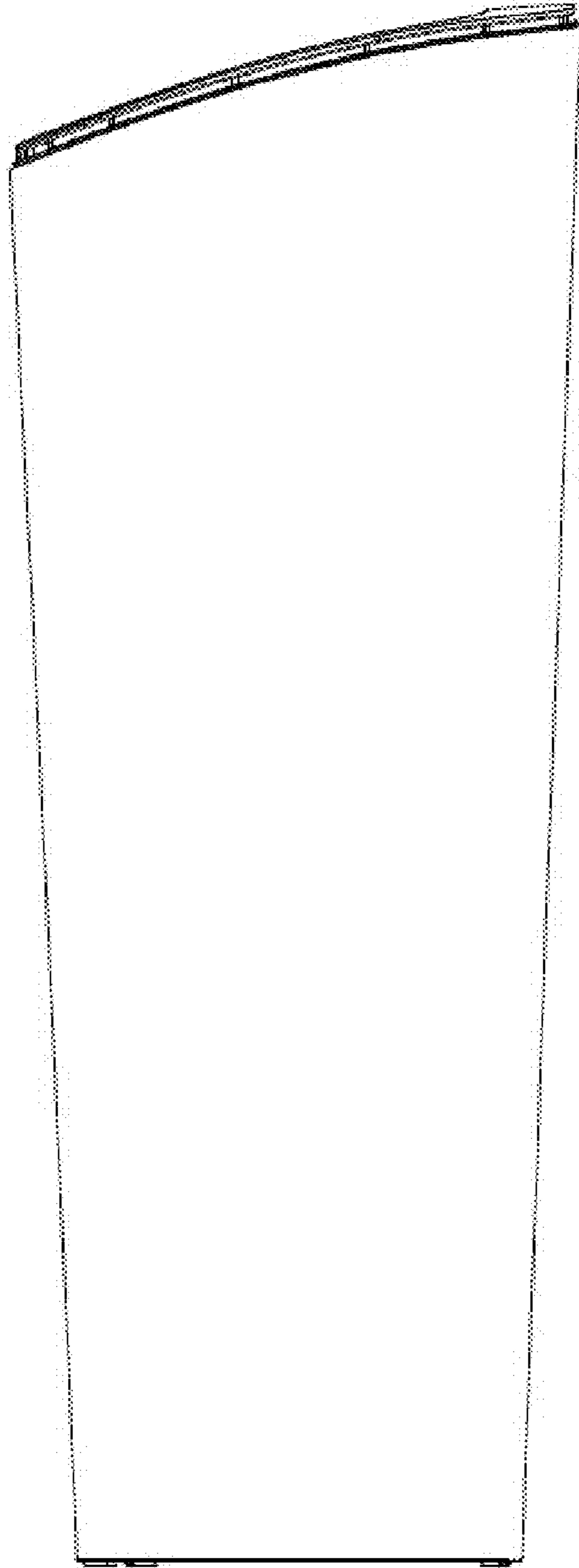


FIG. 5

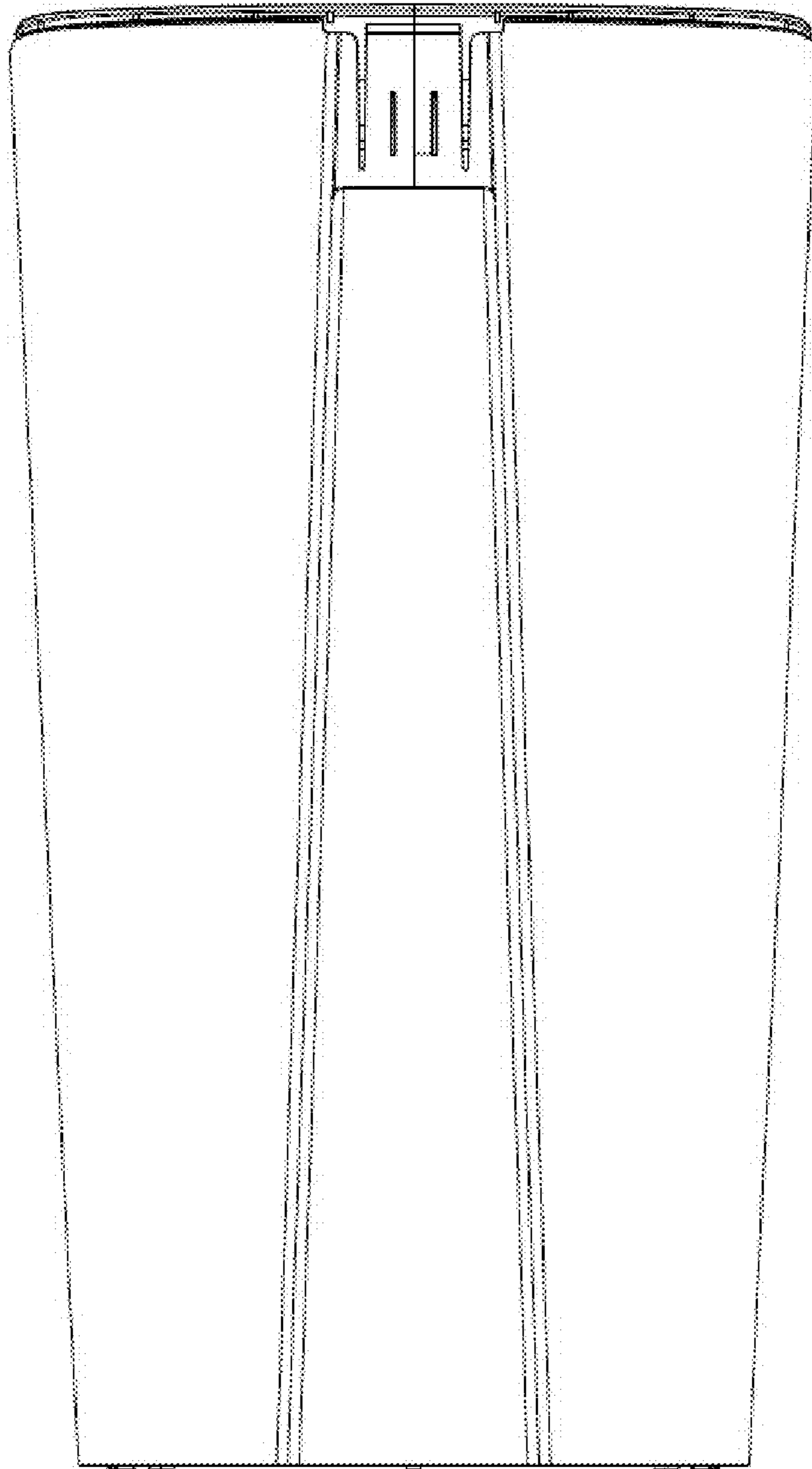


FIG. 6

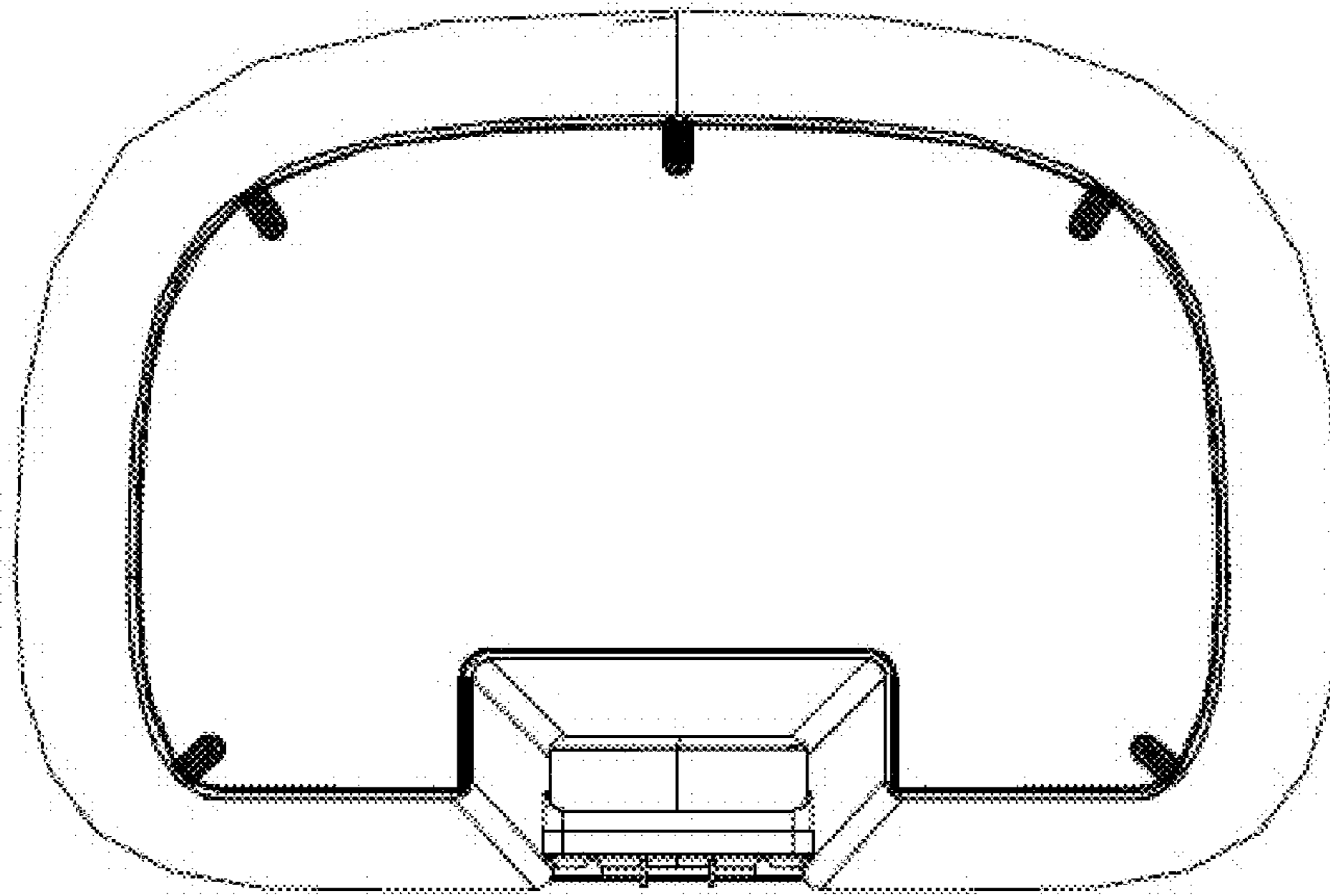


FIG. 7