



US00D712609S

(12) **United States Design Patent**
Crawley

(10) **Patent No.:** **US D712,609 S**

(45) **Date of Patent:** **** Sep. 2, 2014**

(54) **STEAM CLEANING BRUSH**

(71) Applicant: **Black & Decker Inc.**, Newark, DE (US)

(72) Inventor: **Graeme Crawley**, Newcastle-upon-Tyne (GB)

(73) Assignee: **Black & Decker Inc.**, Newark, DE (US)

(**) Term: **14 Years**

(21) Appl. No.: **29/446,185**

(22) Filed: **Feb. 21, 2013**

(30) **Foreign Application Priority Data**

Aug. 24, 2012 (EM) 001340970

(51) **LOC (10) Cl.** **15-05**

(52) **U.S. Cl.**
USPC **D32/33**

(58) **Field of Classification Search**
USPC D32/17-18, 31-33, 50; 15/344,
15/320-322, 415.1-422, 422.1;
392/404-405; 134/198; 38/69, 77.83;
68/5 R, 5 A, 222; 239/583
See application file for complete search history.

(56) **References Cited**

U.S. PATENT DOCUMENTS

D141,802 S *	7/1945	Wittke	D32/33
D149,060 S *	3/1948	Harvuot	D32/33
D319,121 S *	8/1991	Muller	D32/17
D355,059 S *	1/1995	Ennis	D32/33
D359,148 S *	6/1995	Henrie	D32/33
D400,325 S *	10/1998	Broecking	D32/33
6,031,969 A *	2/2000	Burr et al.	392/404
D426,924 S *	6/2000	Joiner et al.	D32/35
D452,051 S *	12/2001	Antonio	D32/17
6,938,838 B2 *	9/2005	Kawamoto	239/504
D519,696 S *	4/2006	Adams	D32/33
D520,202 S *	5/2006	Dyson et al.	D32/33

7,162,769 B2 *	1/2007	Tratter	15/321
D540,498 S *	4/2007	Tobias	D32/17
D576,363 S *	9/2008	Reiner	D32/17
D589,663 S *	3/2009	Massip et al.	D32/17
D592,365 S *	5/2009	Massip et al.	D32/17
D595,461 S *	6/2009	Massip et al.	D32/17
D595,964 S *	7/2009	Choi	D4/114
D603,570 S *	11/2009	Svantesson et al.	D32/32
D621,566 S *	8/2010	Crawley et al.	D32/33
D621,567 S *	8/2010	Crawley	D32/33
D623,810 S *	9/2010	Breit	D32/25
D656,695 S *	3/2012	Crawley	D32/33
D659,921 S *	5/2012	Smith	D32/25
D659,923 S *	5/2012	Dyson	D32/33
D663,909 S *	7/2012	Andreesen	D32/17
8,387,204 B2 *	3/2013	Dyson	15/344
8,458,853 B2 *	6/2013	Charlton et al.	15/321
D696,827 S *	12/2013	Crawley	D32/41
2005/0102789 A1 *	5/2005	Hopper	15/320
2007/0050938 A1 *	3/2007	Rosenzweig	15/322
2008/0034813 A1 *	2/2008	Tobias	68/222

* cited by examiner

Primary Examiner — Ruth McInroy

(74) *Attorney, Agent, or Firm* — John Yun

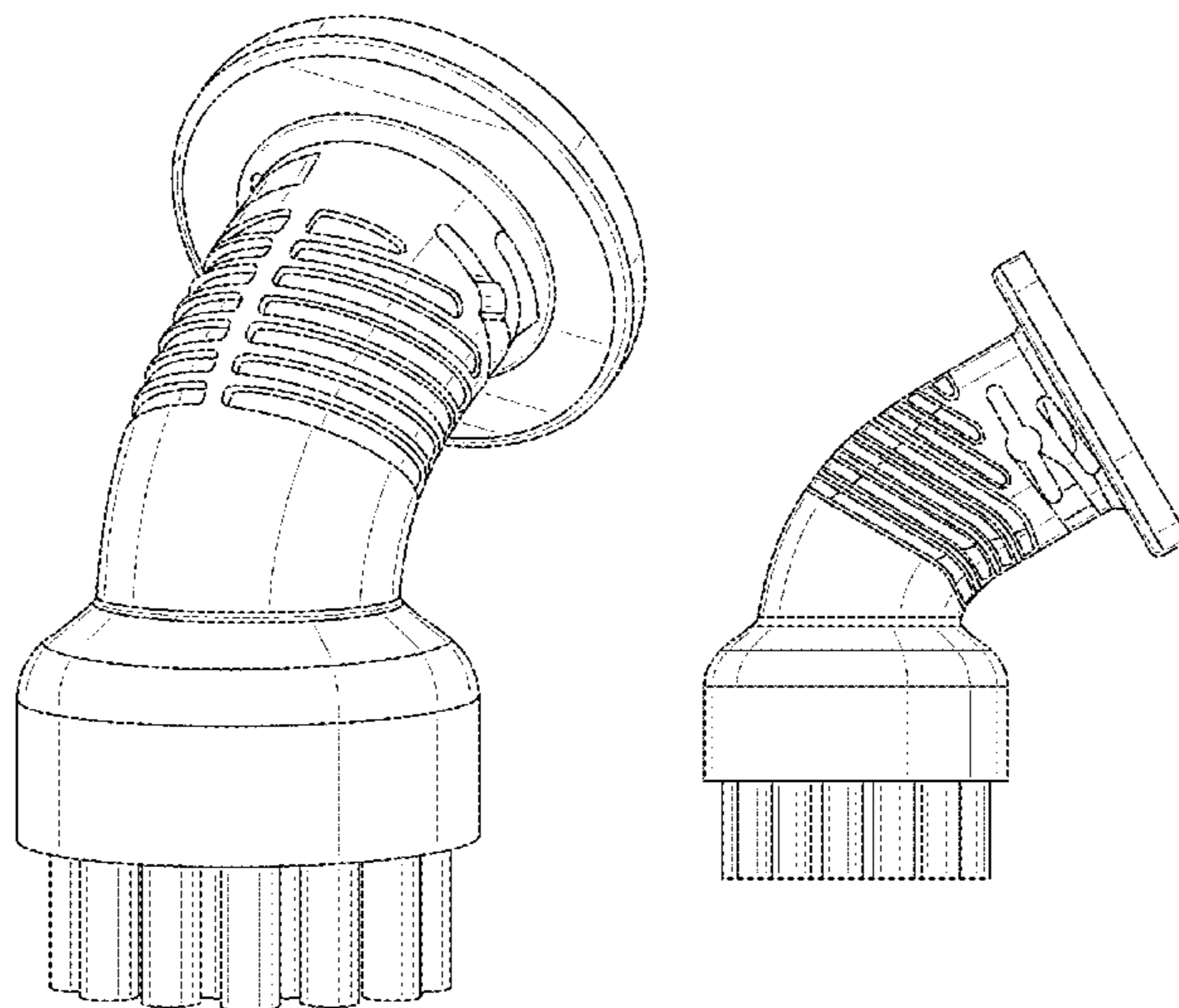
(57) **CLAIM**

The ornamental design for a steam cleaning brush, as shown and described.

DESCRIPTION

FIG. 1 is a perspective view of a steam cleaning brush showing my new design;
FIG. 2 is a front view thereof
FIG. 3 is a rear view thereof;
FIG. 4 is a right view thereof;
FIG. 5 is a left view thereof;
FIG. 6 is a top plan thereof; and,
FIG. 7 is a bottom plan view thereof.
The details shown in broken lines form no part of the claimed design.

1 Claim, 4 Drawing Sheets



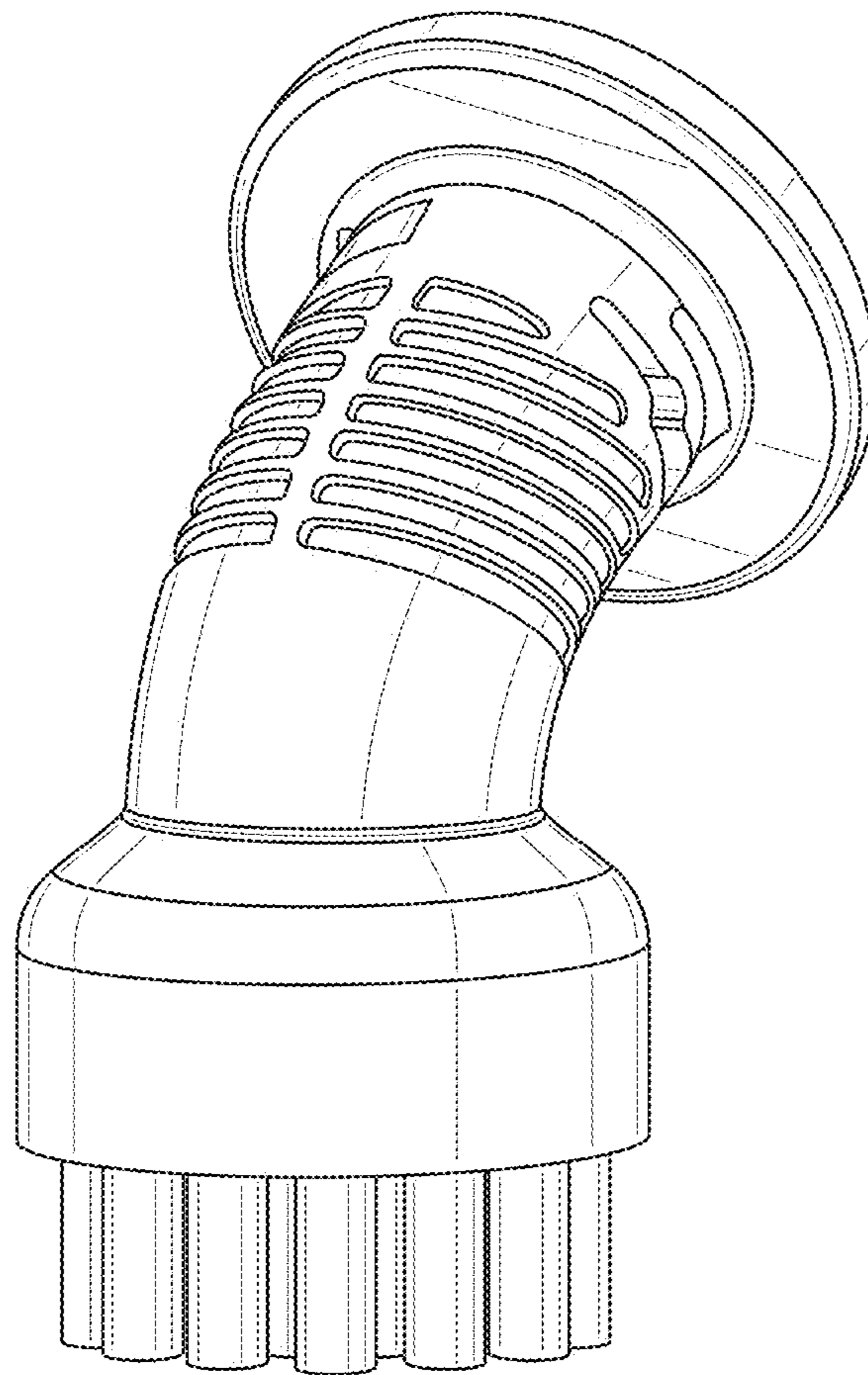


FIG. 1

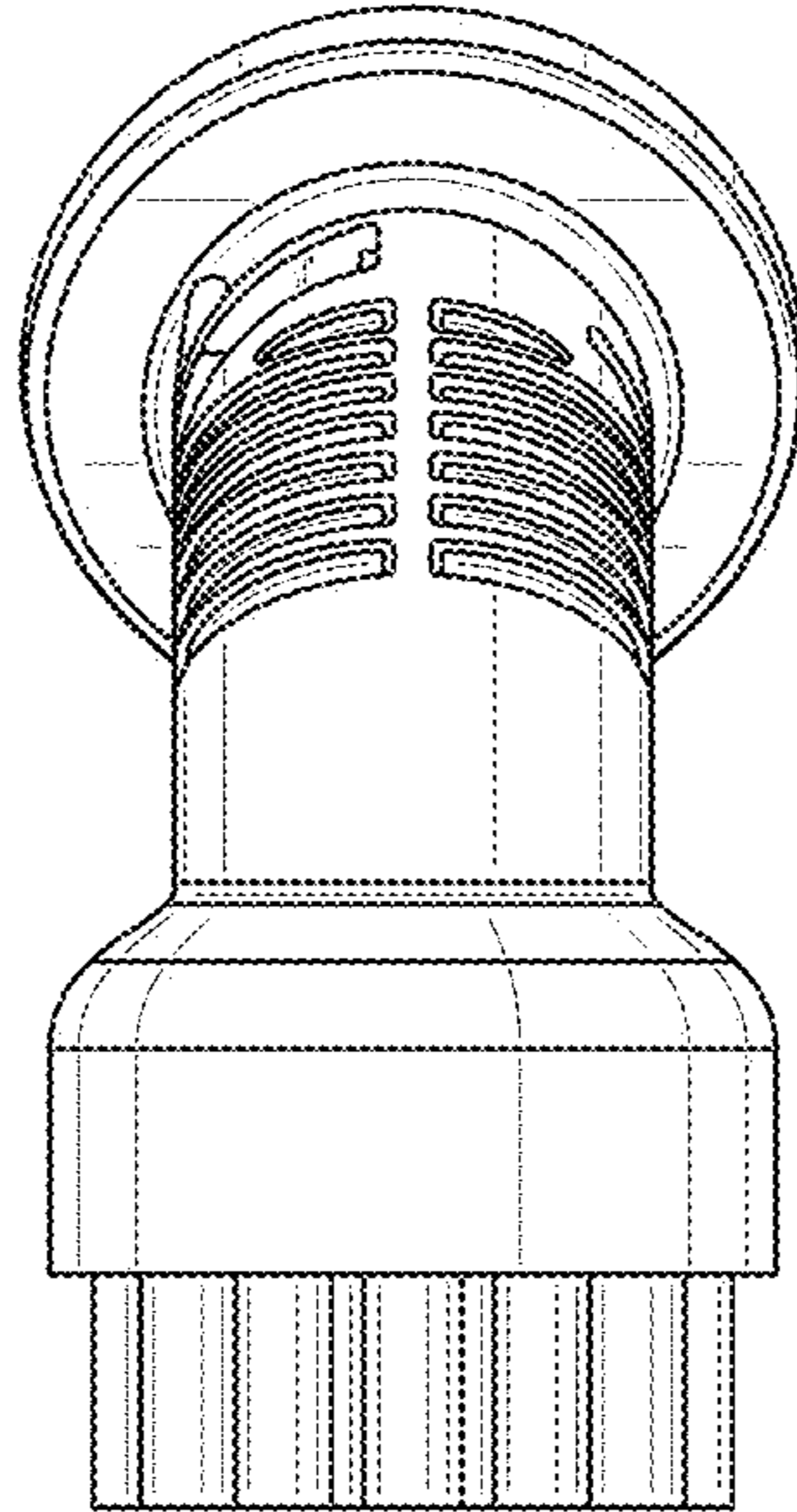


FIG. 2

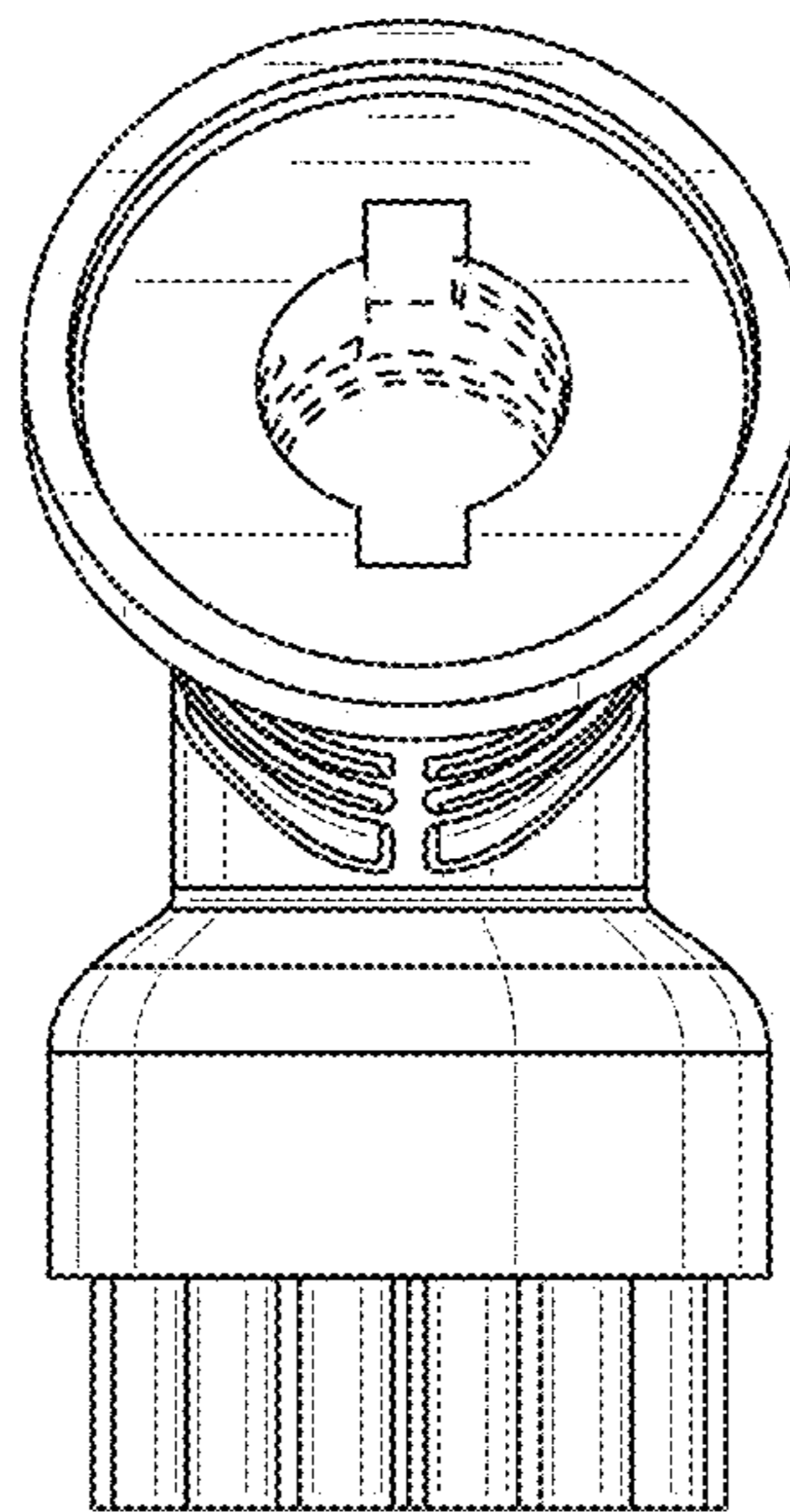


FIG. 3

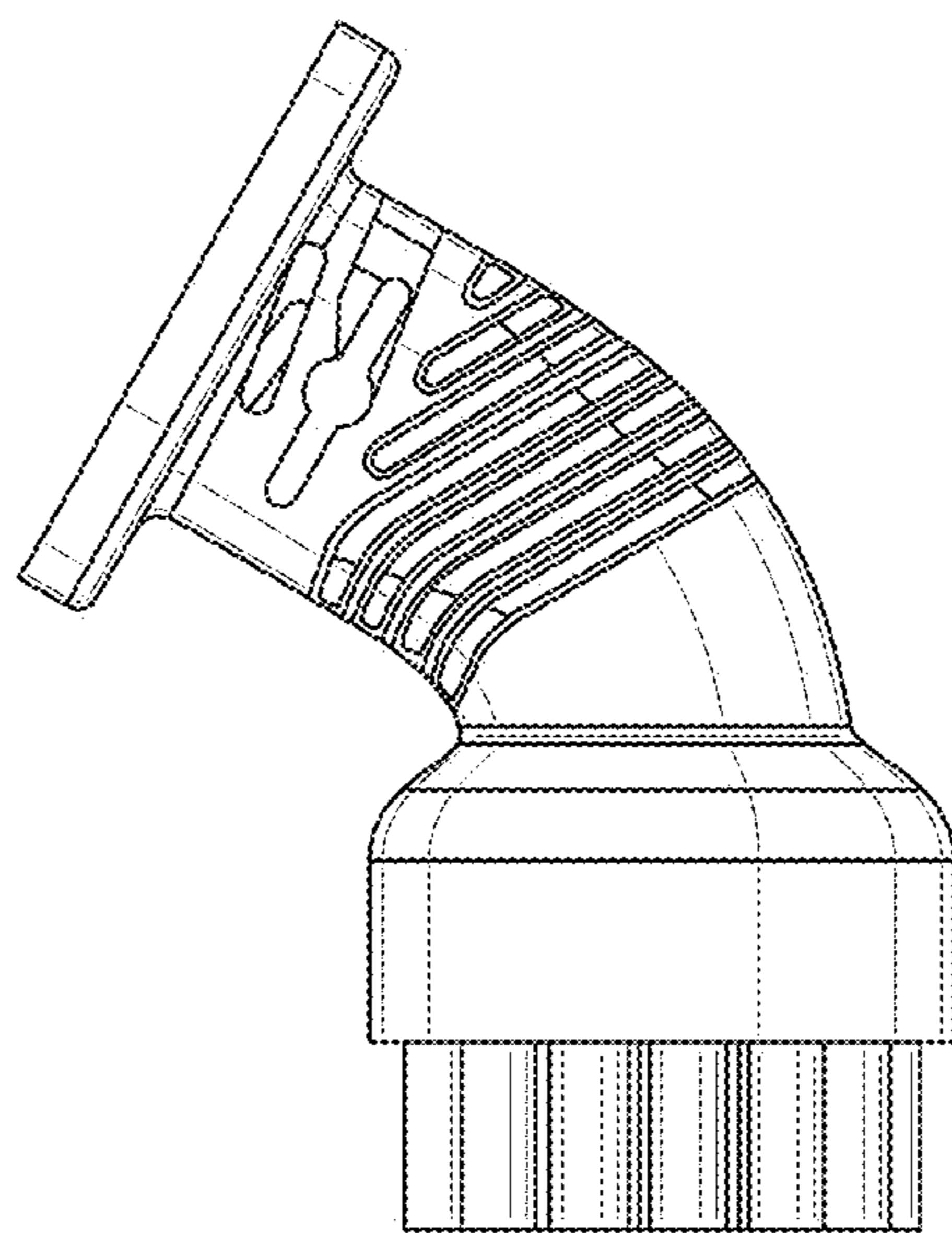


FIG. 4

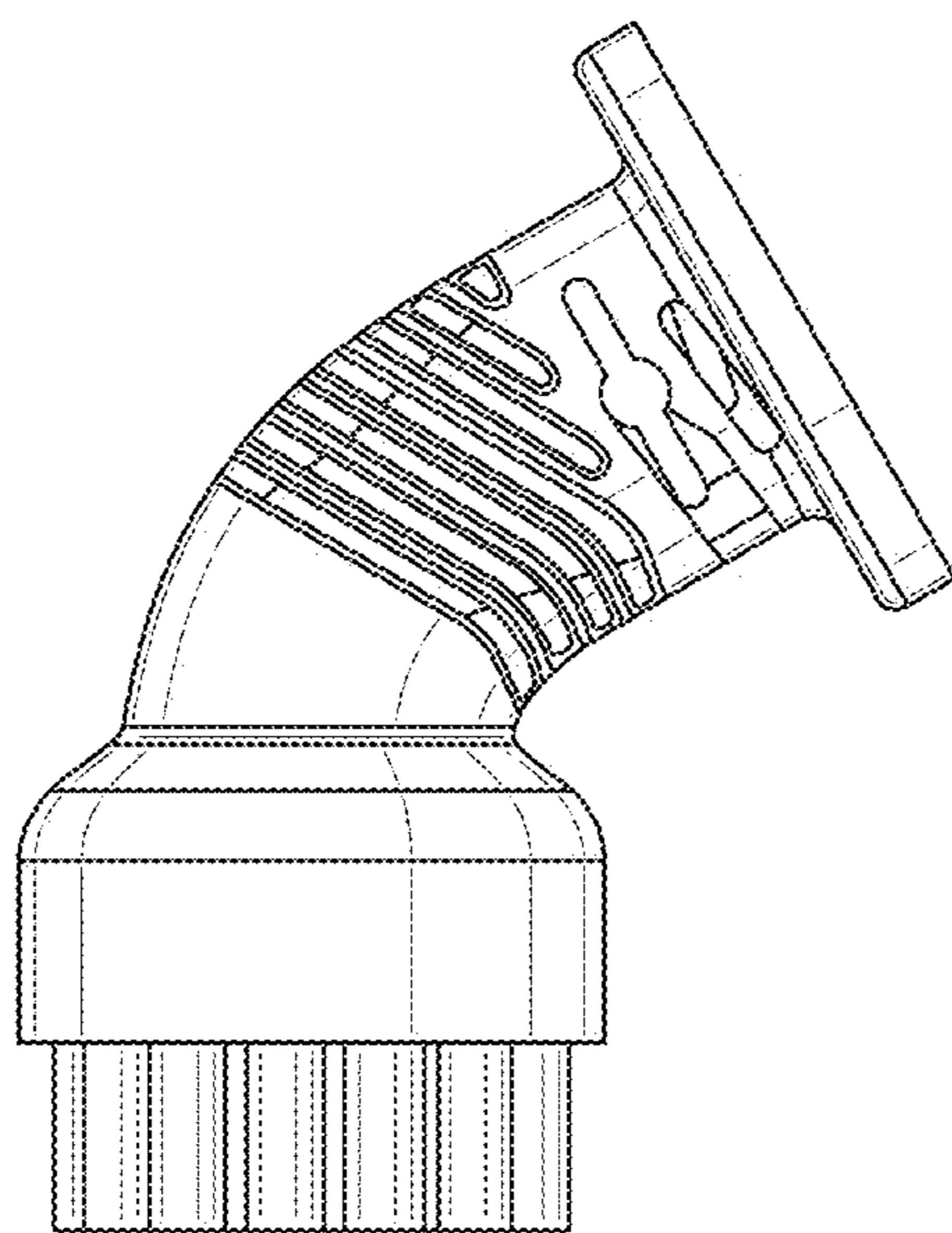


FIG. 5

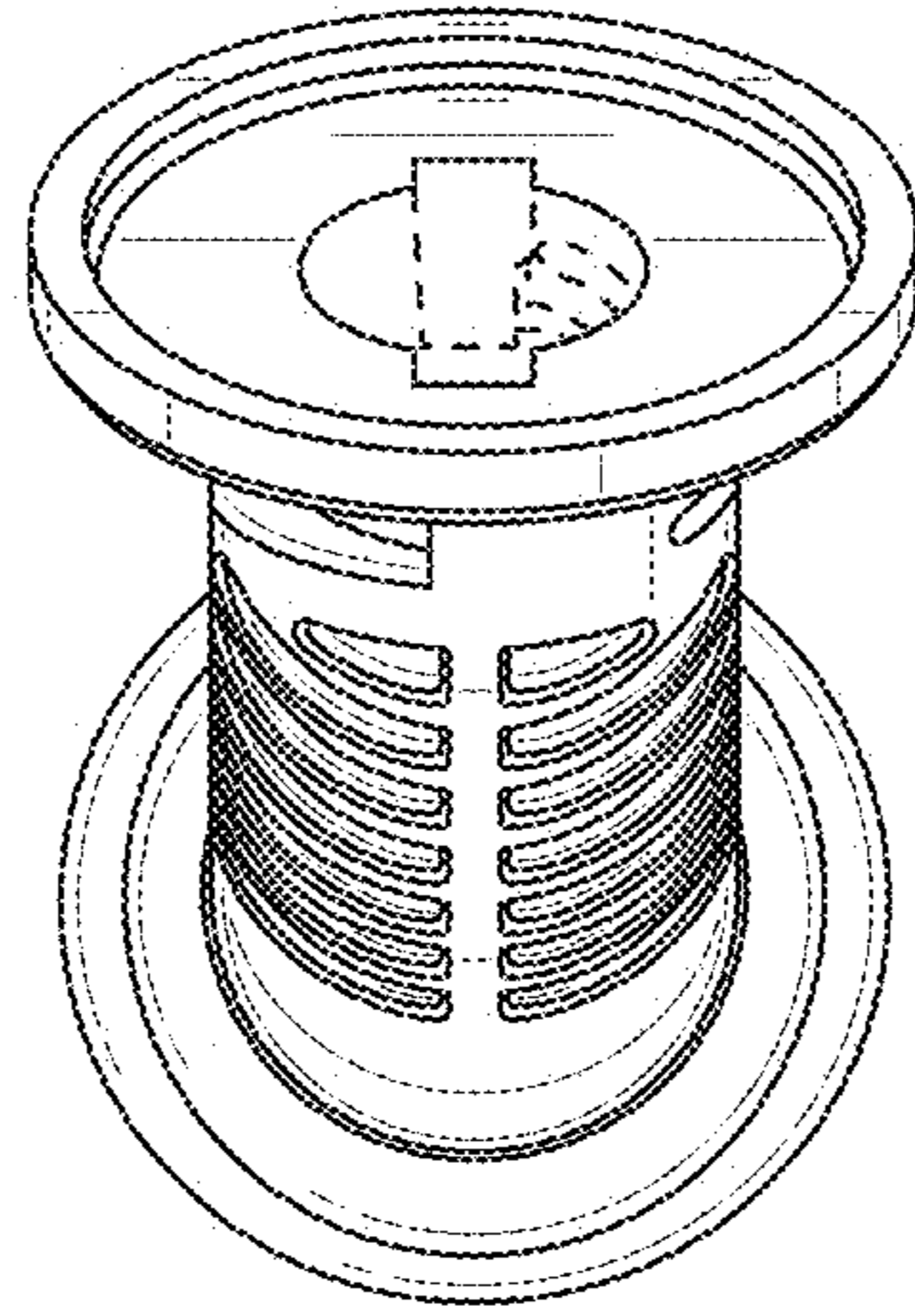


FIG. 6

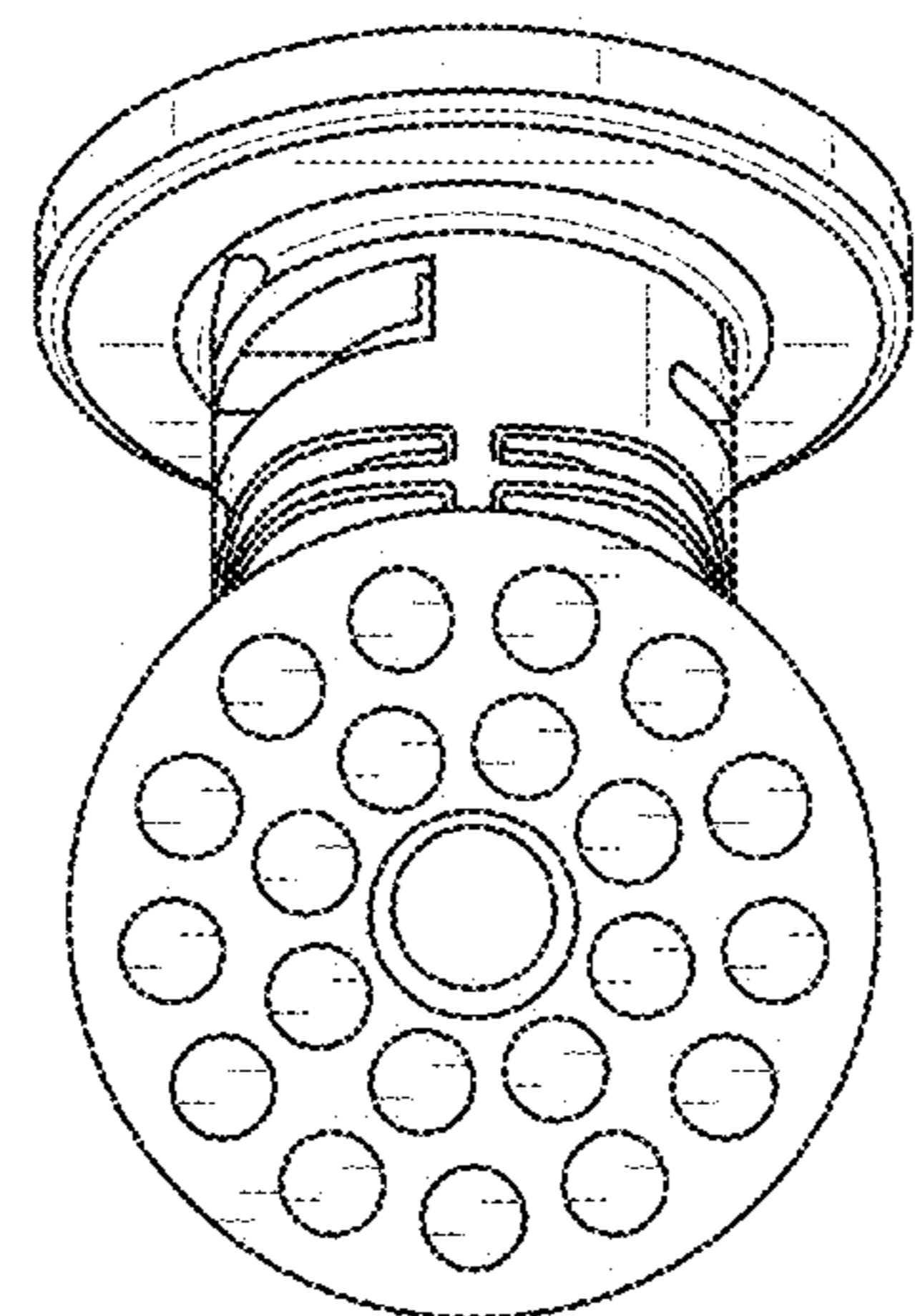


FIG. 7